

US00D511667S

(12) **United States Design Patent** (10) **Patent No.:** **US D511,667 S**
Jones (45) **Date of Patent:** **** Nov. 22, 2005**

(54) **CARPENTER'S QUICK RELEASE CLAMP WITH LEDGE FOR SUPPORTING END OF LENGTHY WORKPIECE**

D392,534 S * 3/1998 Degen et al. D8/71
D417,377 S * 12/1999 Blank et al. D8/72

* cited by examiner

(76) Inventor: **Danny Jones**, 1777 Dowdle Rd.,
Caledonia, MS (US) 39740

Primary Examiner—Louis S. Zarfes
Assistant Examiner—John Windmuller

(**) Term: **14 Years**

(74) *Attorney, Agent, or Firm*—Donald R. Schoonover

(21) Appl. No.: **29/196,835**

(57) **CLAIM**

(22) Filed: **Jan. 5, 2004**

I claim the ornamental design for a carpenter's quick release clamp with ledge for supporting end of lengthy workpiece, as shown and described.

(51) **LOC (8) Cl.** **08-05**

(52) **U.S. Cl.** **D8/72**

(58) **Field of Search** D8/71-74, 394-396;
248/74.1; 292/256-258; 269/36, 86

DESCRIPTION

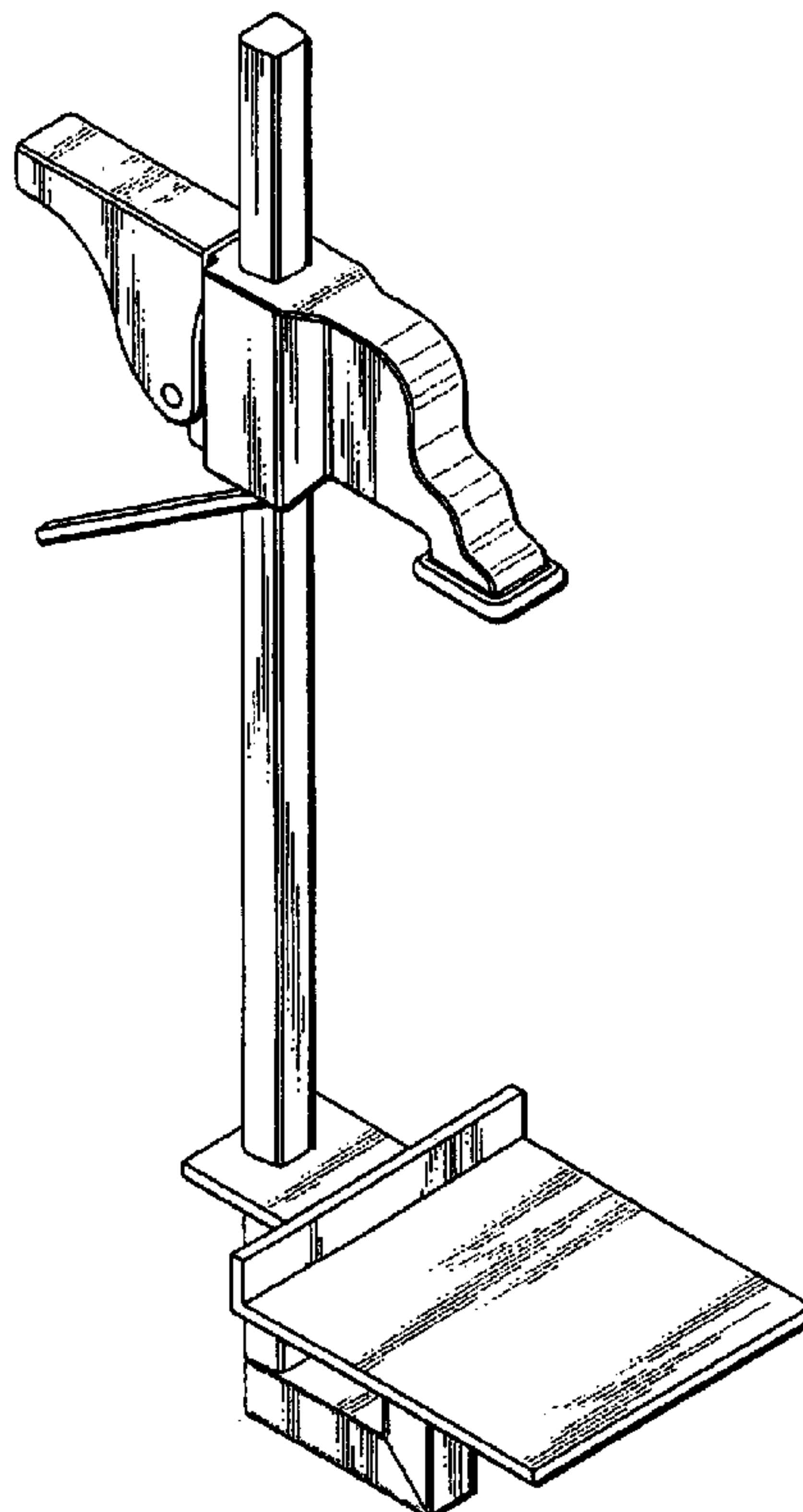
(56) **References Cited**

U.S. PATENT DOCUMENTS

575,543	A	1/1897	Clarke	
2,391,143	A	* 12/1945	Ertner	81/152
D158,021	S	* 4/1950	Stanland	D8/59
3,323,787	A	6/1967	Schetzer	
3,427,016	A	2/1969	Harris	
4,239,197	A	12/1980	Olstad	
D259,327	S	* 5/1981	Sloane	D8/72
4,299,146	A	11/1981	Phelps	
4,520,981	A	6/1985	Harrigan	
4,912,949	A	4/1990	Bowers	
5,246,216	A	9/1993	Oberst	
D366,820	S	* 2/1996	Wooster et al.	D8/72

FIG. 1 is a perspective view of a carpenter's quick release clamp with ledge for supporting end of lengthy workpiece showing my new design;
FIG. 2 is a front elevational view thereof;
FIG. 3 is a rear elevational view thereof;
FIG. 4 is a right side elevational view thereof, the elevational view of the opposing side a mirror image thereof;
FIG. 5 is a top plan view thereof;
FIG. 6 is a bottom plan view thereof; and,
FIG. 7 is a perspective view showing the carpenter's quick release clamp with ledge for supporting end of lengthy workpiece in use; the broken lines depict environmental structure for illustrative purposes only and form no part of the claimed design.

1 Claim, 4 Drawing Sheets



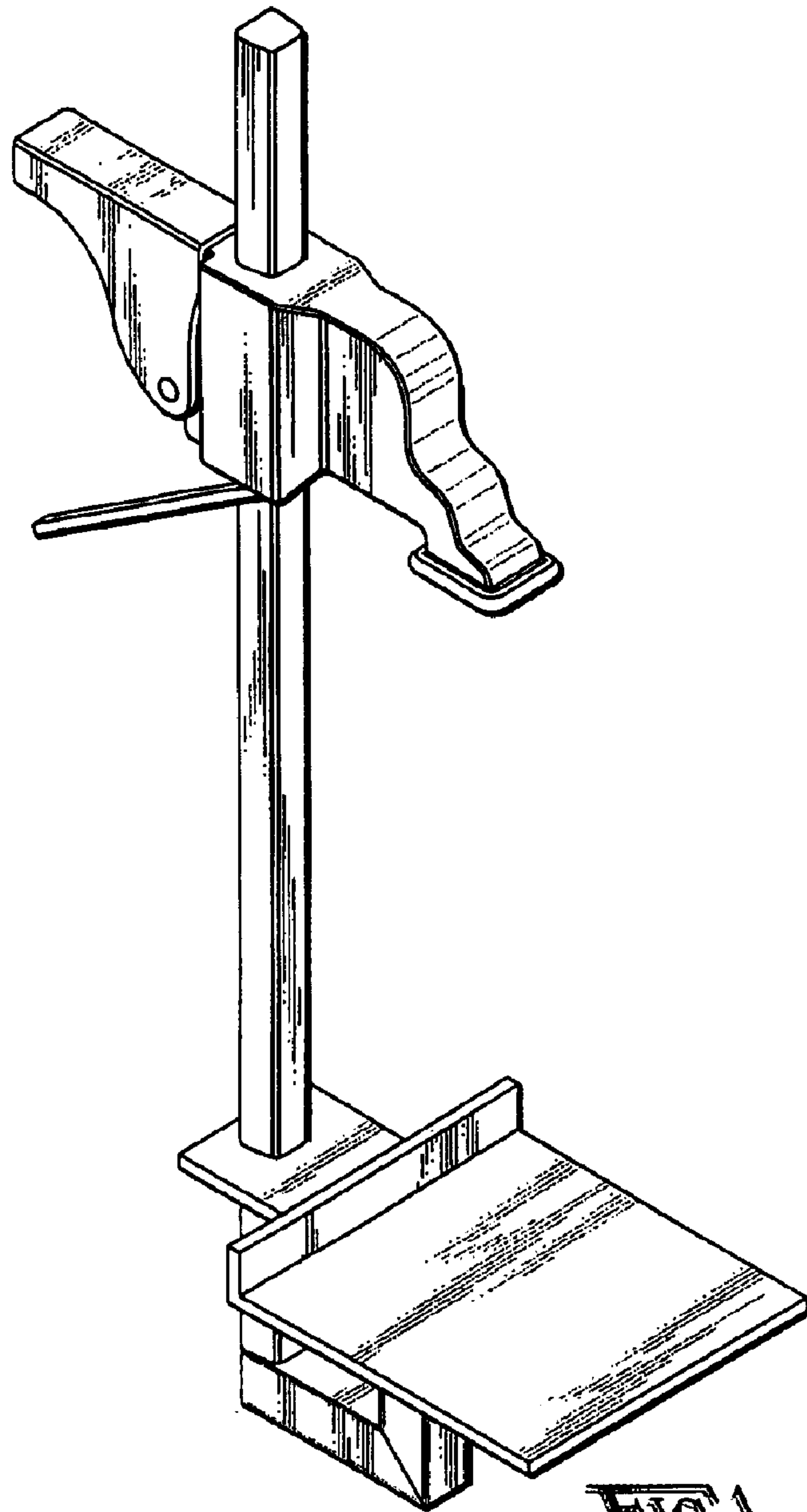


FIG. 1

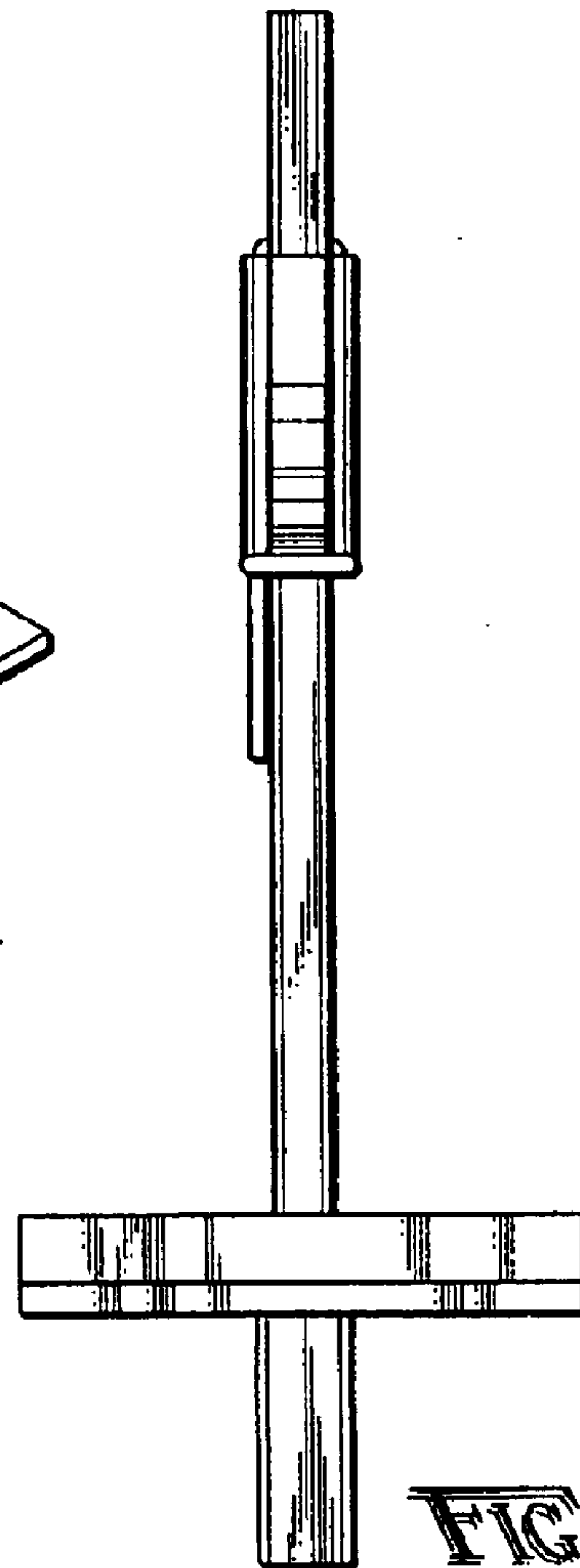
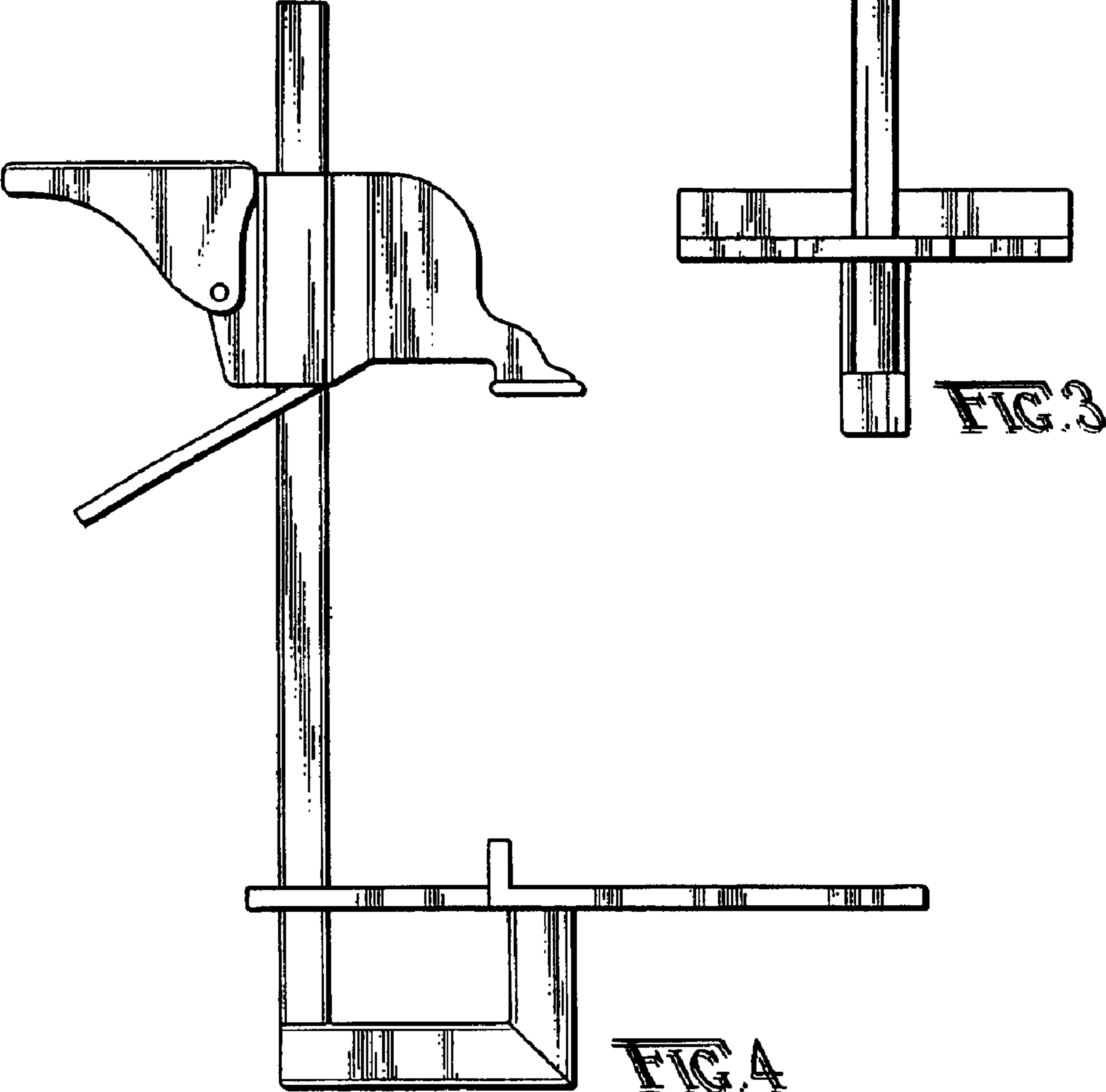


FIG. 2



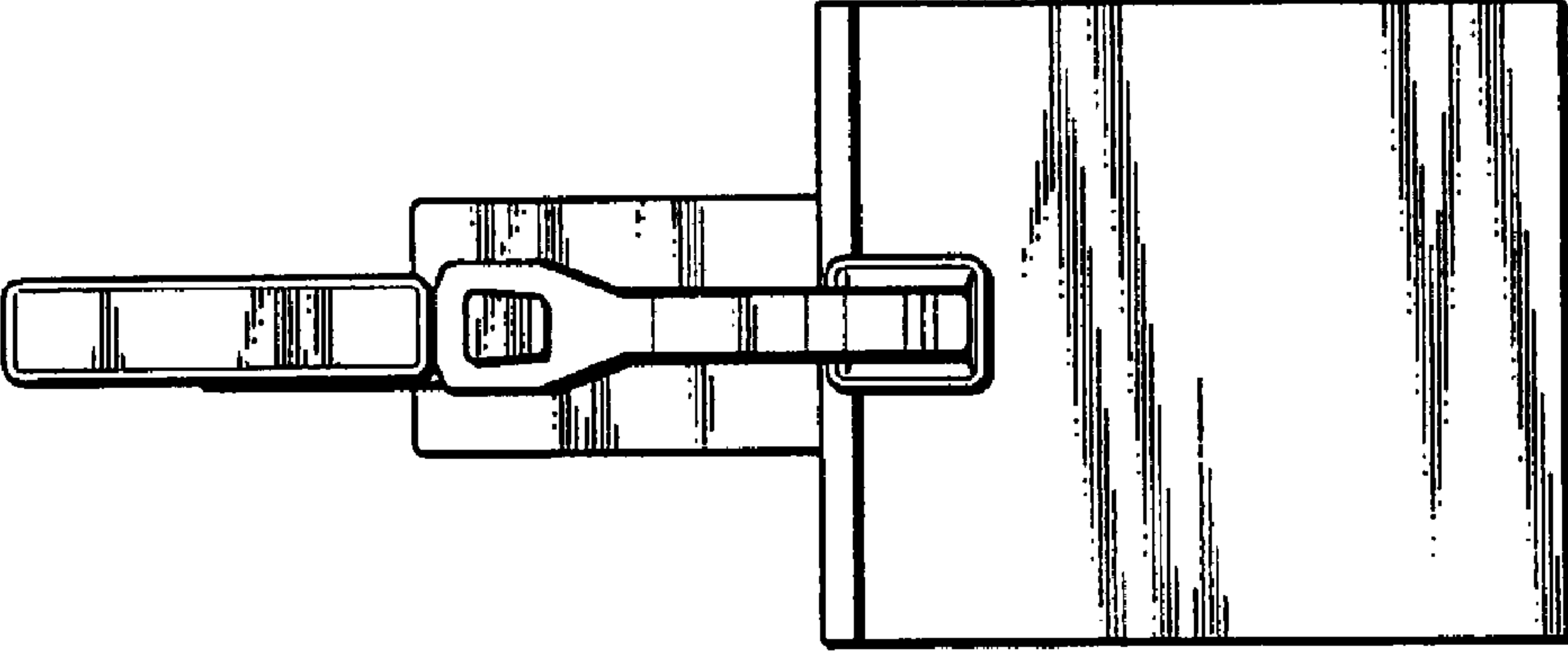


FIG. 5

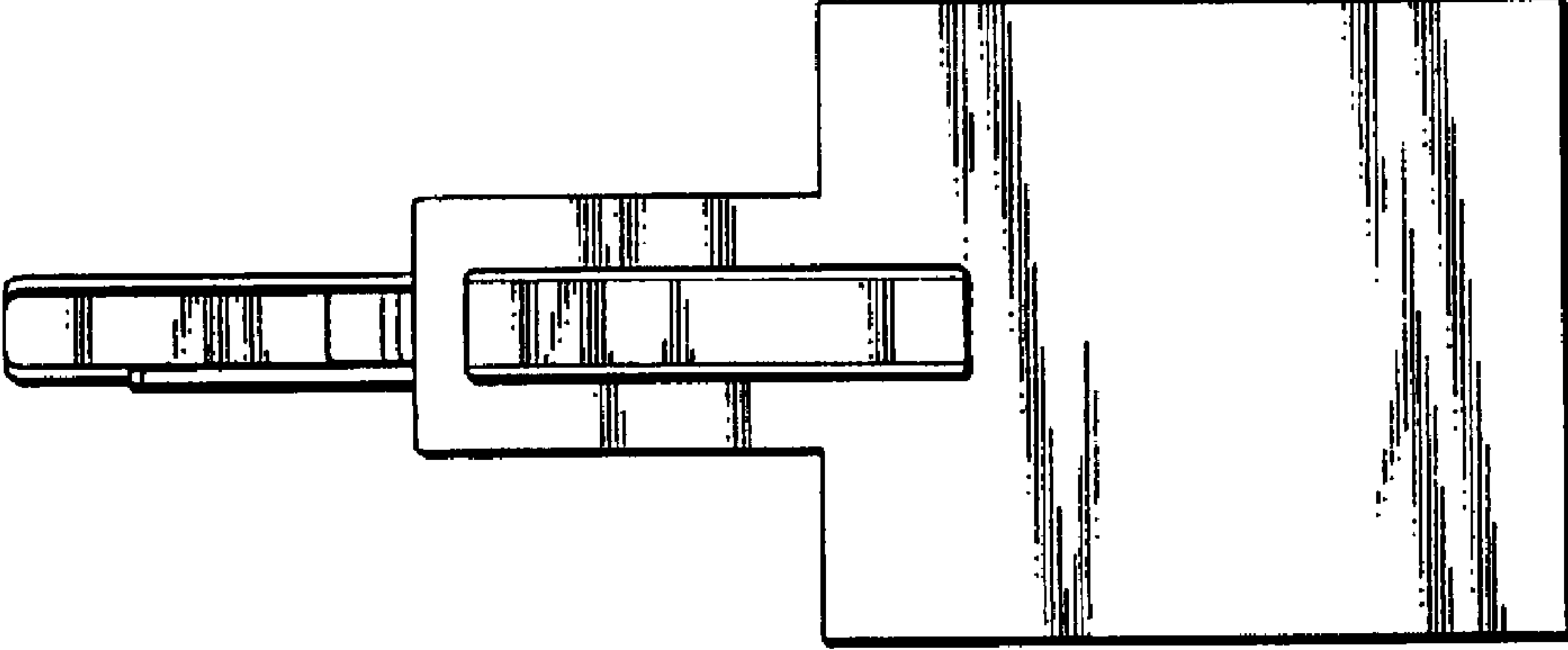


FIG. 6

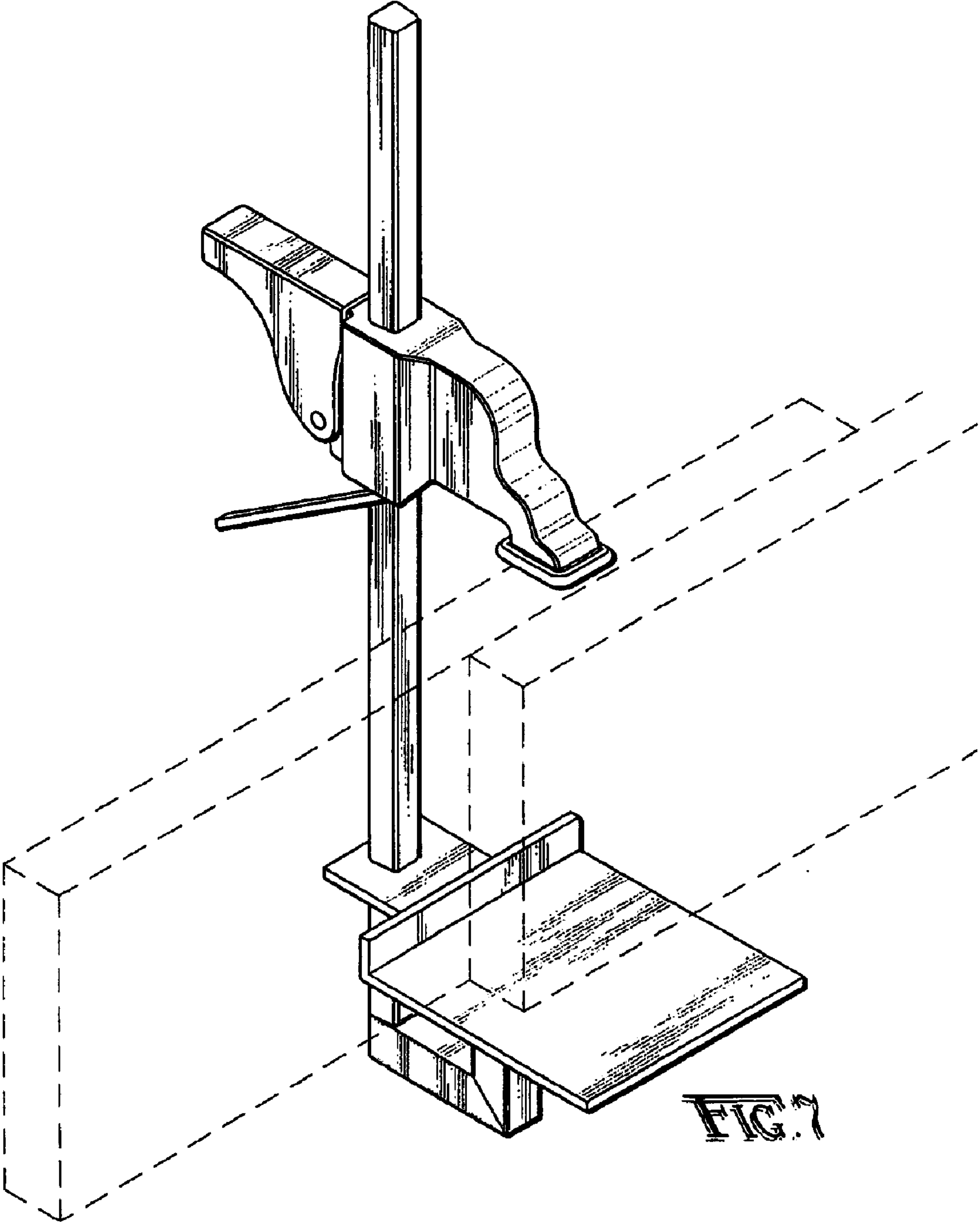


FIG. 7