



US00D511664S

(12) **United States Design Patent**
Lee

(10) **Patent No.:** **US D511,664 S**
(45) **Date of Patent:** **** Nov. 22, 2005**

(54) **CORKSCREW**

(75) Inventor: **Shek Tang Lee, Tsuen Wan (HK)**

(73) Assignee: **Best Luck Technology Development Limited, Hong Kong (CN)**

(**) Term: **14 Years**

(21) Appl. No.: **29/209,040**

(22) Filed: **Jul. 9, 2004**

(30) **Foreign Application Priority Data**

Jan. 14, 2004 (HK) 0410116

(51) **LOC (8) Cl.** **07-06**

(52) **U.S. Cl.** **D8/42**

(58) **Field of Search** D8/16-20, 33-35,
D8/38-43, 88, 89, 105; 7/138, 151-166;
30/1.5, 169, 400-450; 81/3.05-3.49

(56) **References Cited**

U.S. PATENT DOCUMENTS

D359,213 S * 6/1995 Entwistle D8/42

D463,235 S * 9/2002 Mauffette D8/40
D463,236 S * 9/2002 Mauffette D8/42
D464,546 S * 10/2002 Mauffette D8/40
D466,772 S * 12/2002 Mauffette D8/42
D474,664 S * 5/2003 Mauffette D8/42
D502,069 S * 2/2005 Bates et al. D8/42

* cited by examiner

Primary Examiner—Caron D. Veynar

(74) *Attorney, Agent, or Firm*—Egbert Law Offices

(57) **CLAIM**

I claim the ornamental design for a corkscrew, as shown and described.

DESCRIPTION

FIG. 1 is a side view of the corkscrew showing my design; an opposite side view being a mirror image thereof.

FIG. 2 is a top plan view thereof;

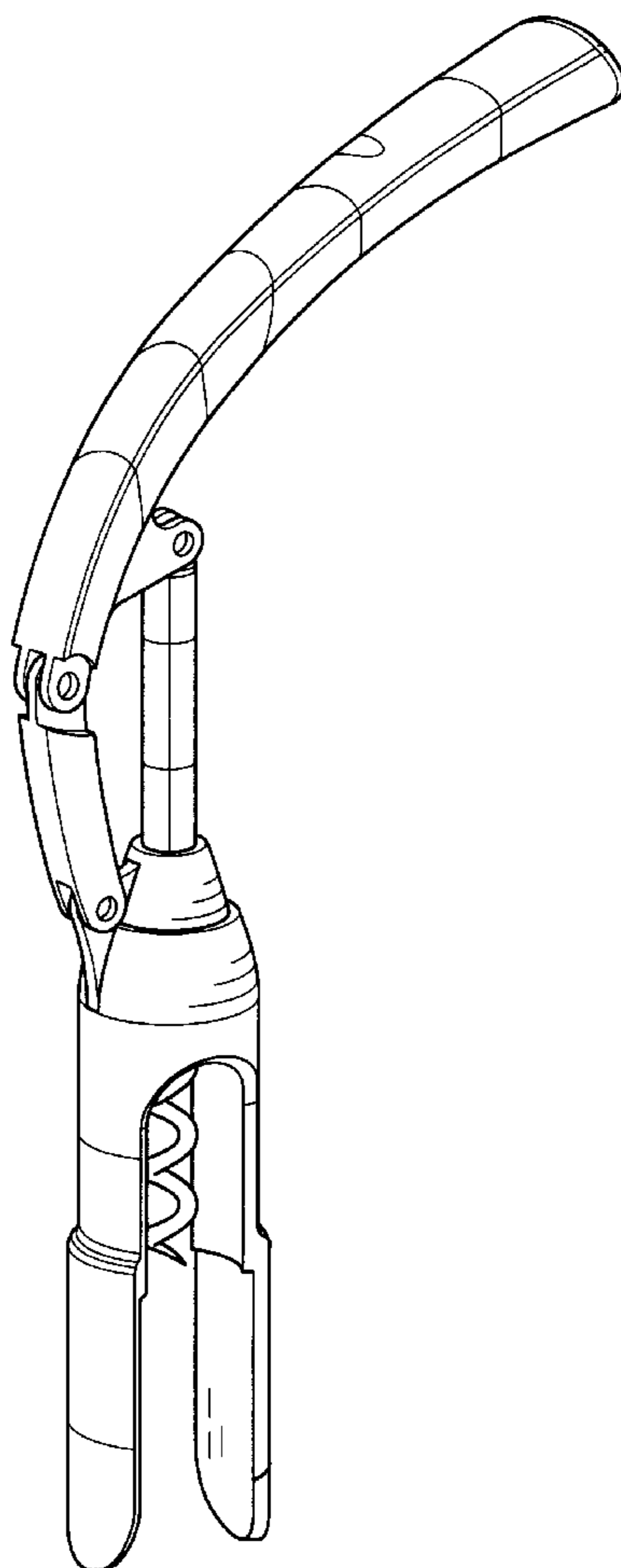
FIG. 3 is a bottom view thereof;

FIG. 4 a back view thereof;

FIG. 5 is a front view thereof; and,

FIG. 6 is a perspective view thereof.

1 Claim, 5 Drawing Sheets



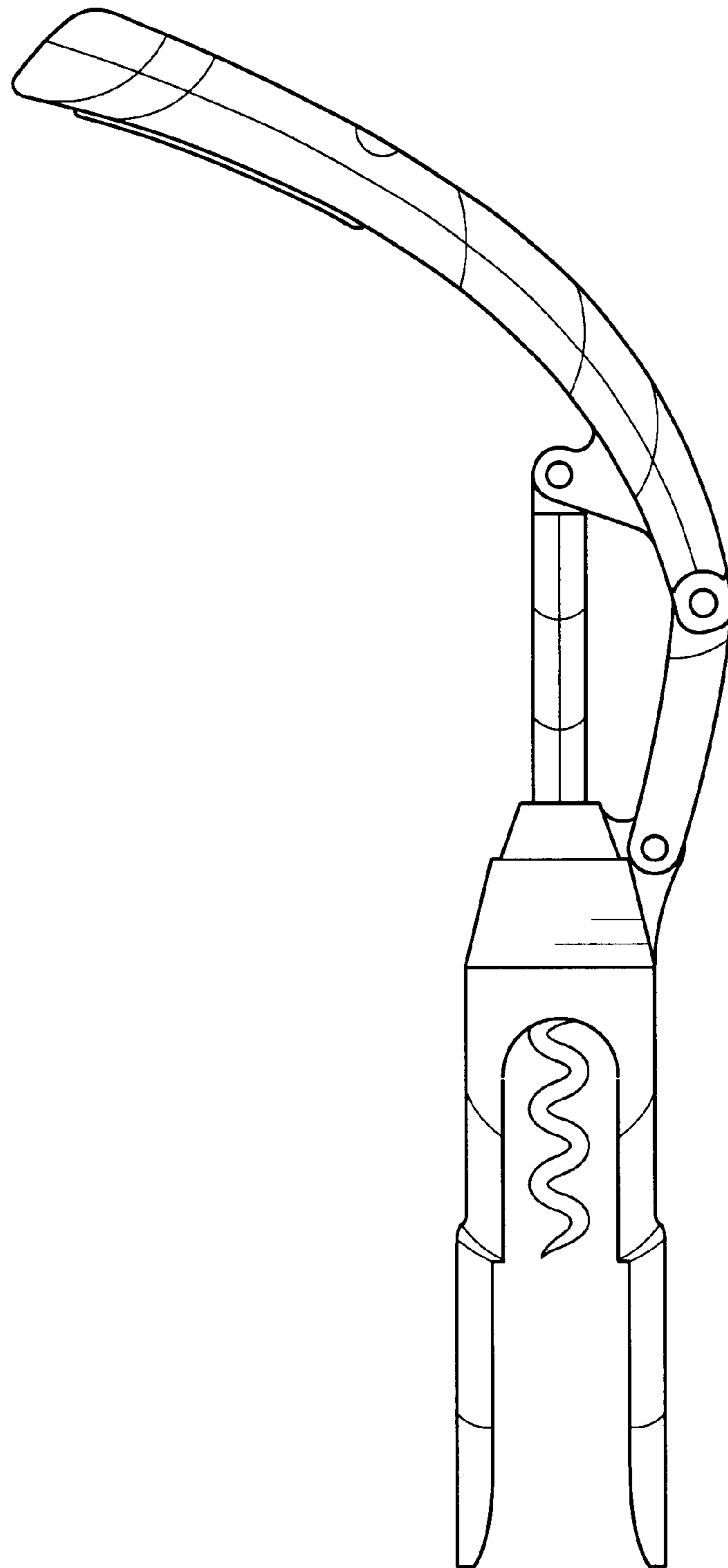


FIG. 1

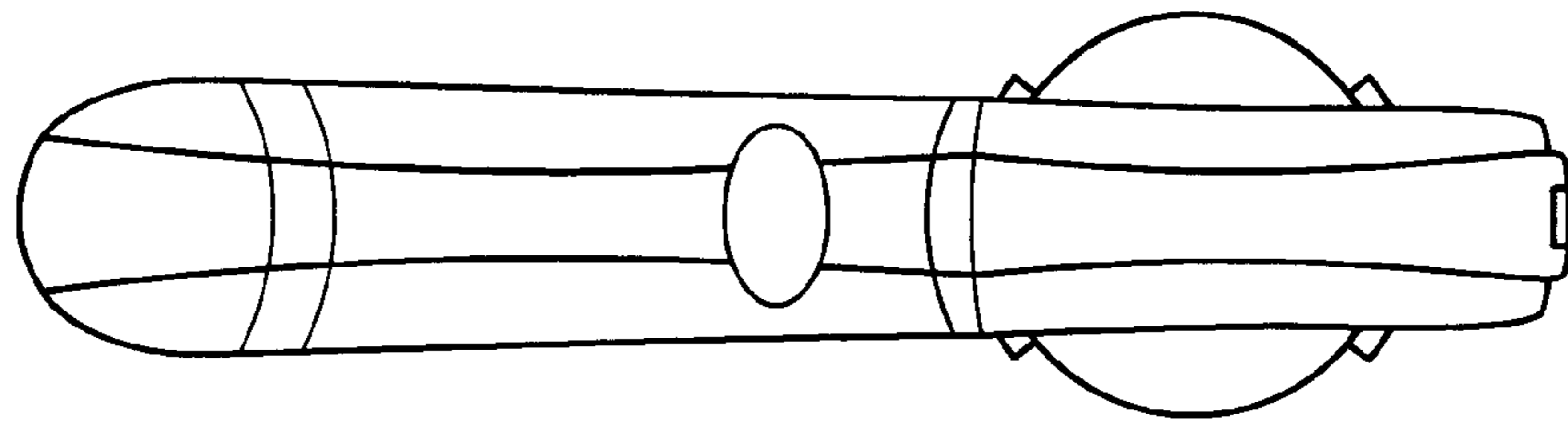


FIG. 2

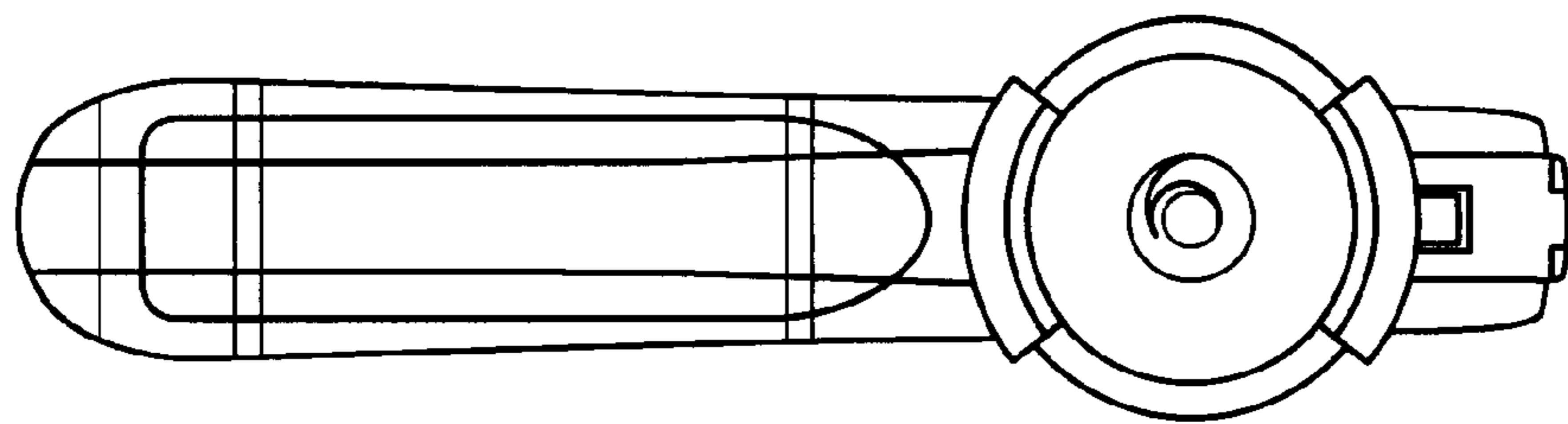


FIG. 3

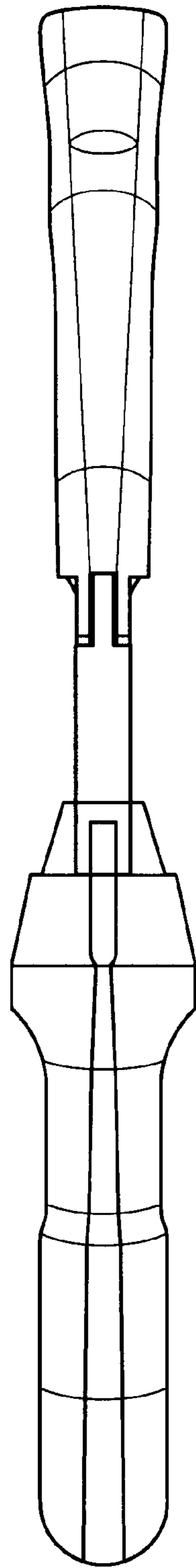


FIG. 4

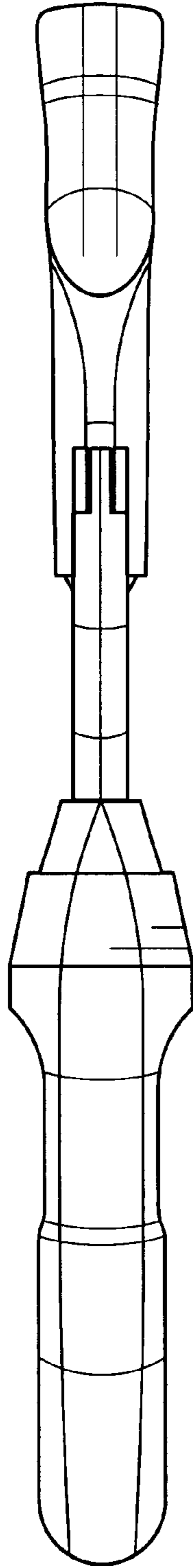


FIG. 5

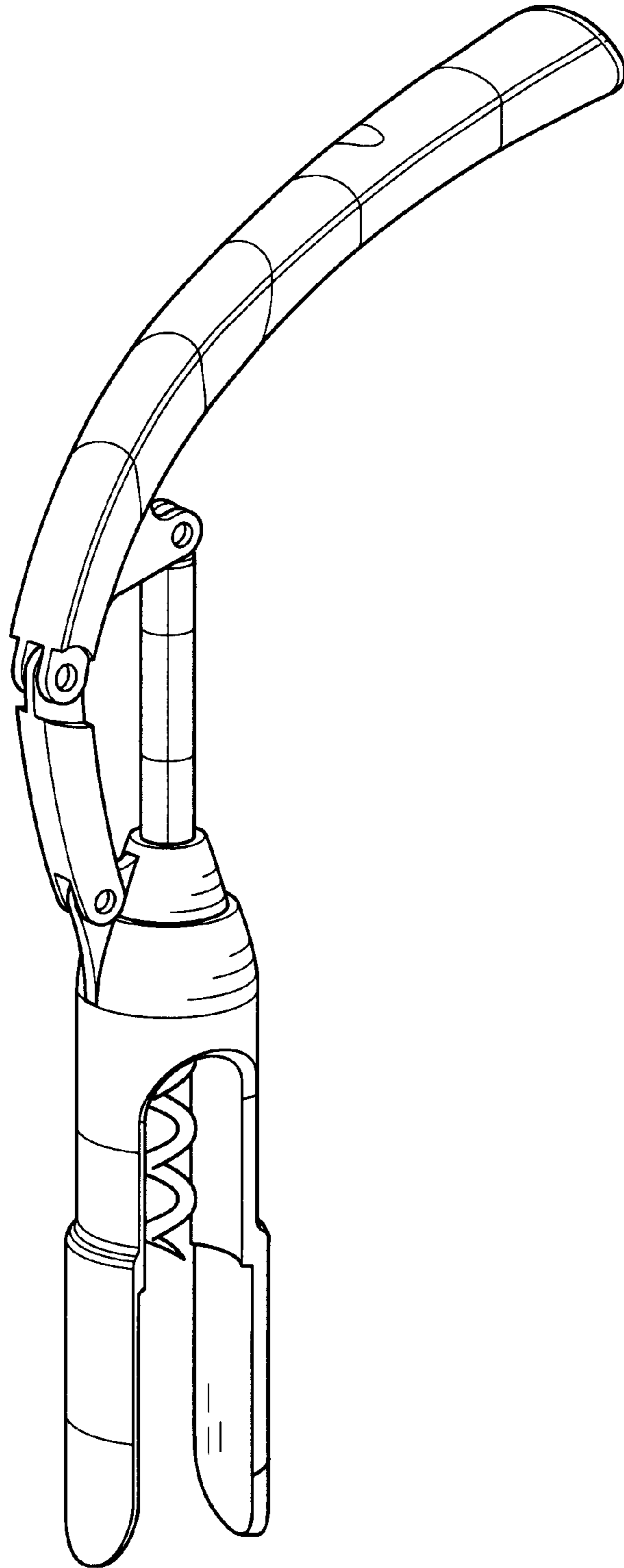


FIG. 6