



US00D511663S

(12) **United States Design Patent**
Hewett et al.

(10) **Patent No.:** **US D511,663 S**
(45) **Date of Patent:** **** Nov. 22, 2005**

(54) **RETAINER CAP FOR A PLASMA ARC TORCH**

(75) Inventors: **Roger W. Hewett**, Plainfield, NH (US);
Jonathan Brasseur, Cornish, NH (US);
William M. Wakefield, Sr., Windsor, VT (US)

(73) Assignee: **Thermal Dynamics Corporation**, West Lebanon, NH (US)

(**) Term: **14 Years**

(21) Appl. No.: **29/175,104**

(22) Filed: **Jan. 30, 2003**

(51) **LOC (8) Cl.** **08-05**

(52) **U.S. Cl.** **D8/30**

(58) **Field of Search** D8/29.1, 29.2,
D8/30; D15/144; 219/121.5, 121.48, 75,
74, 121.52, 121.51

(56) **References Cited**

U.S. PATENT DOCUMENTS

D299,352 S * 1/1989 Spaulding et al. D15/144

D328,018 S * 7/1992 Severance D8/30
D379,577 S * 6/1997 Carkhuff D8/30
5,726,415 A * 3/1998 Luo et al. 219/121.48
5,747,767 A * 5/1998 Severance et al. 219/121.5
5,856,647 A * 1/1999 Luo 219/121.5
6,163,008 A * 12/2000 Roberts et al. 219/121.48
6,169,264 B1 * 1/2001 Marhic 219/121.5

* cited by examiner

Primary Examiner—Philip S. Hyder

(74) *Attorney, Agent, or Firm*—Harness, Dickey & Pierce, P.L.C.

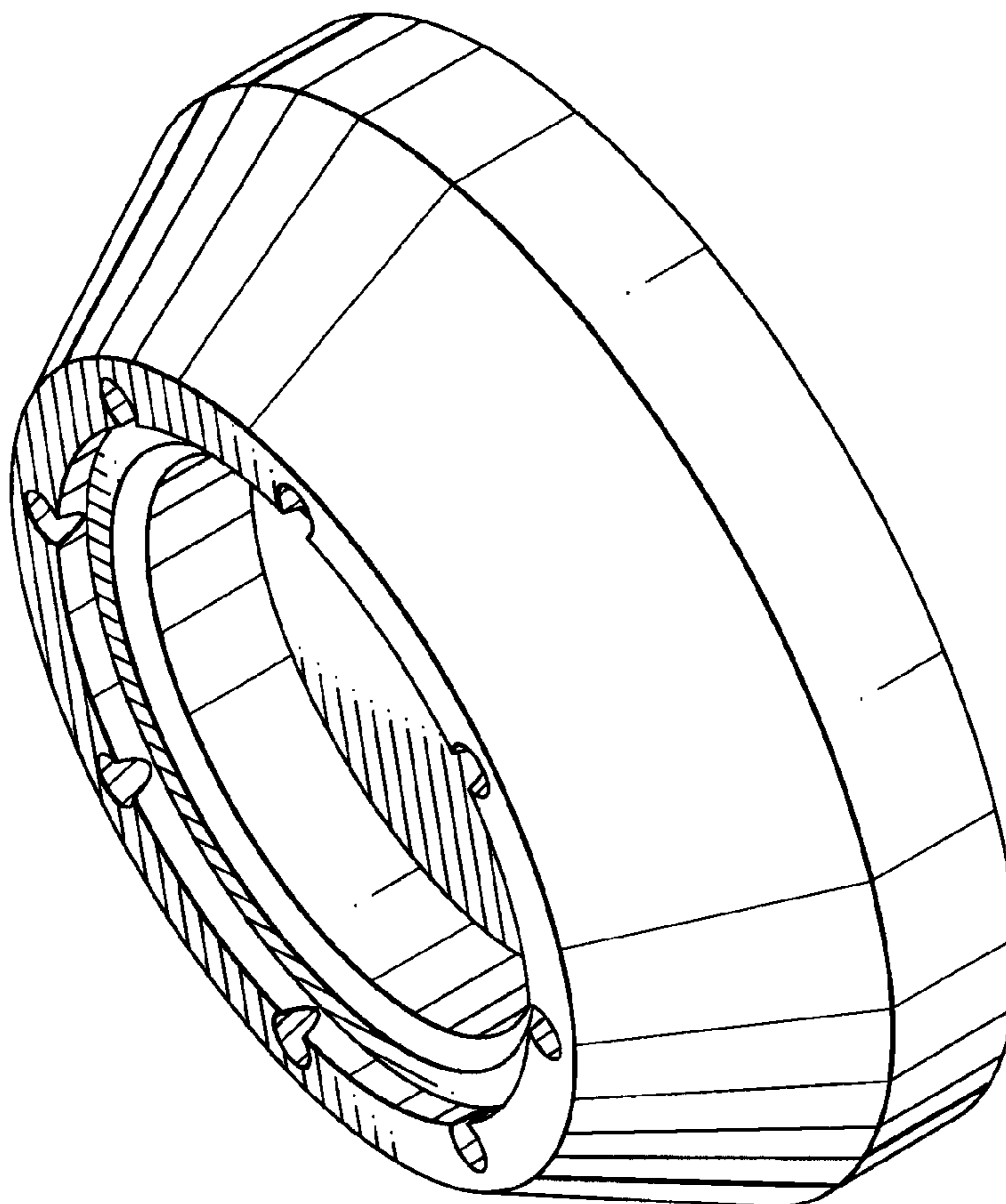
(57) **CLAIM**

The ornamental appearance for a retainer cap for a plasma arc torch, as shown and described.

DESCRIPTION

FIG. 1 is a perspective view of the retainer cap for a plasma arc torch;
FIG. 2 is a side elevation view thereof;
FIG. 3 is a top plan view thereof; and,
FIG. 4 is a bottom plan view thereof.

1 Claim, 2 Drawing Sheets



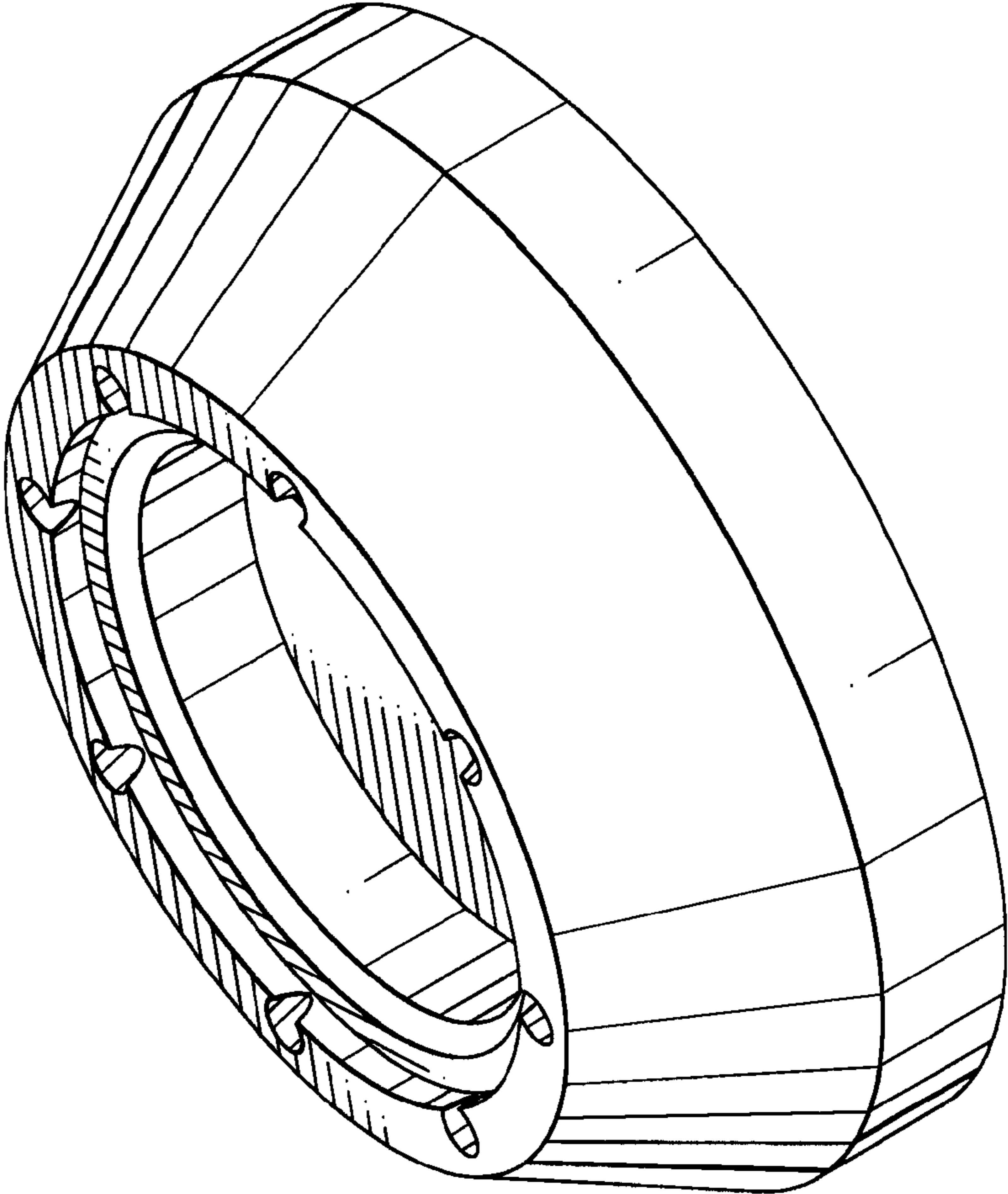


FIG. 1

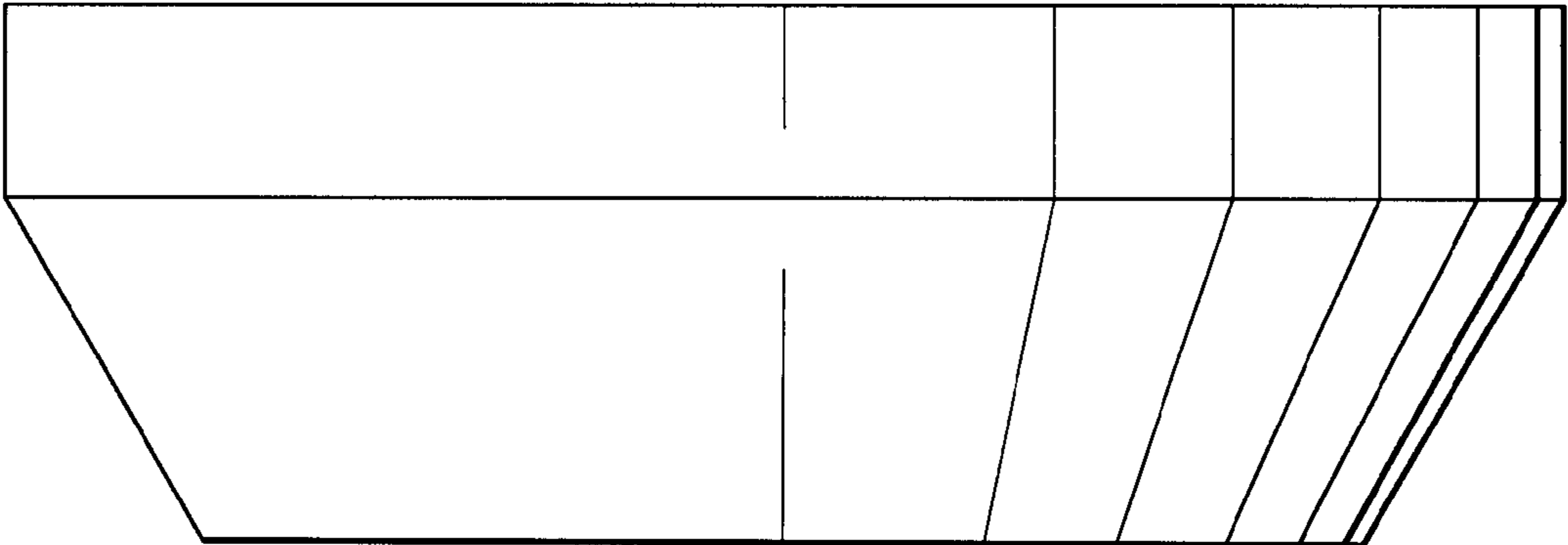


FIG. 2

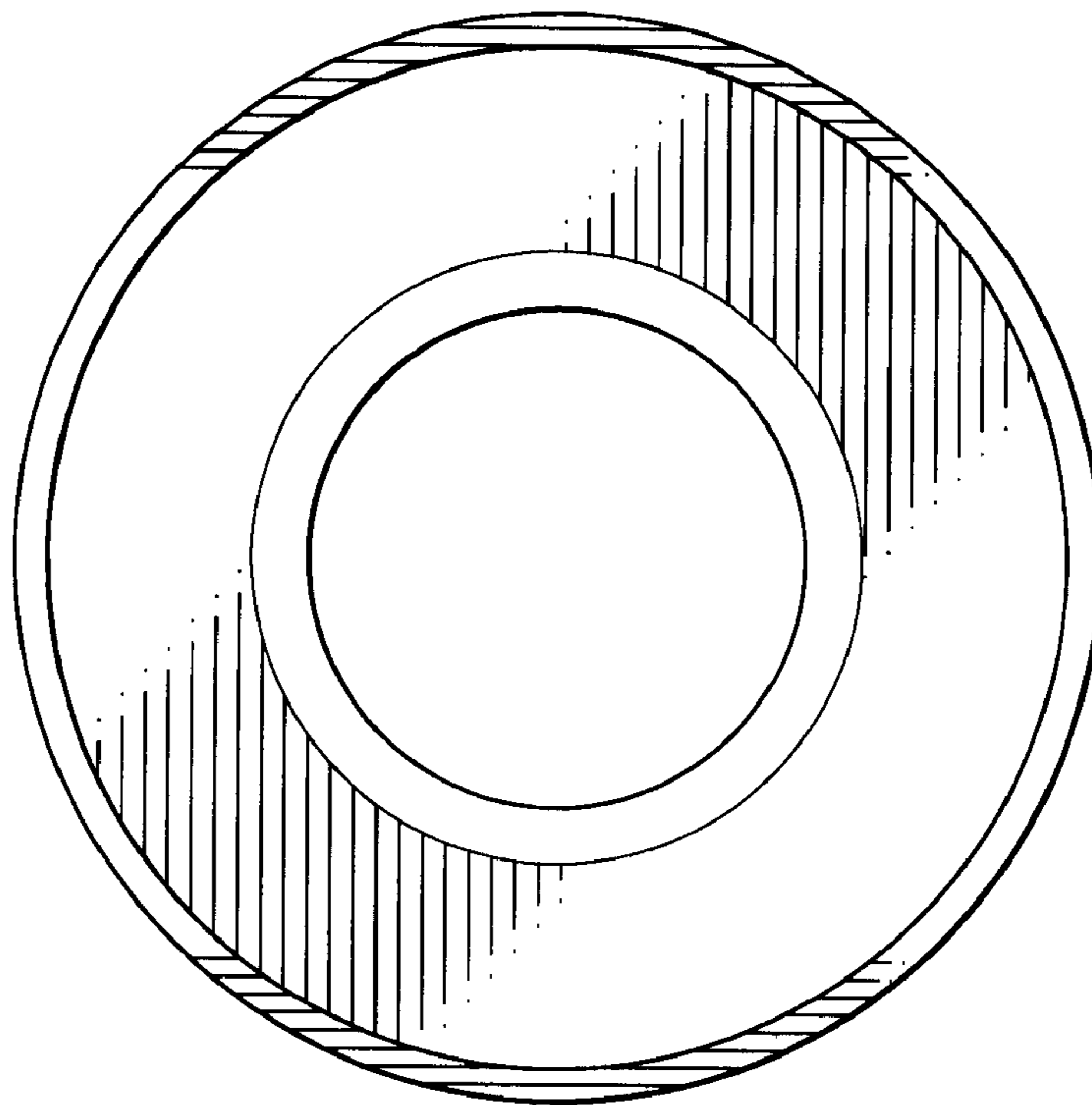


FIG. 3

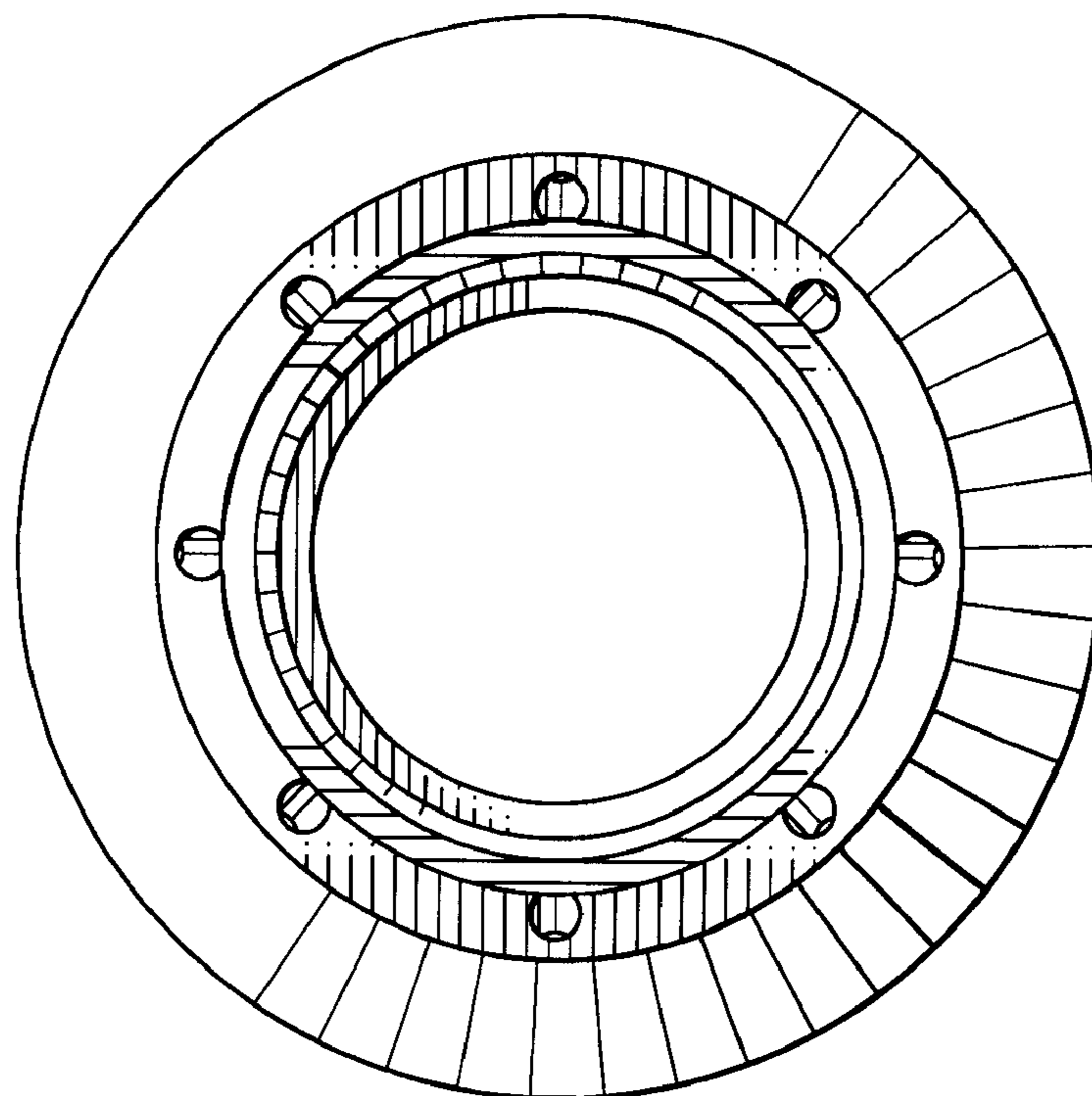


FIG. 4