

US00D511661S

(12) **United States Design Patent** (10) **Patent No.:** **US D511,661 S**
Higdon (45) **Date of Patent:** **** Nov. 22, 2005**

(54) **ENGINE CYLINDER VALVE SPRING COMPRESSOR TOOL**

(76) Inventor: **Jolly R. Higdon**, 525 Airport Road, Hanger A1, Hot Springs, AR (US) 71913

(**) Term: **14 Years**

(21) Appl. No.: **29/209,267**

(22) Filed: **Jul. 14, 2004**

(51) **LOC (8) Cl.** **08-05**

(52) **U.S. Cl.** **D8/14**

(58) **Field of Search** D8/14, 354; 29/217-221

(56) **References Cited**

U.S. PATENT DOCUMENTS

D267,699 S	*	1/1983	Prawl	D8/380
4,641,814 A	*	2/1987	Lala et al.	254/10.5
D297,410 S	*	8/1988	Sachs	D8/356
5,042,128 A	*	8/1991	Barbour	29/217
D337,509 S	*	7/1993	Lebow	D8/354
D349,232 S	*	8/1994	Lebow	D8/354

* cited by examiner

Primary Examiner—Holly Baynham

(74) *Attorney, Agent, or Firm*—Joe D. Calhoun

(57) **CLAIM**

The ornamental design for an engine cylinder valve spring compressor tool, as shown and described.

DESCRIPTION

FIG. 1 depicts a perspective view from the side and front of the invention.

FIG. 2 depicts a front elevational view of the invention of FIG. 1.

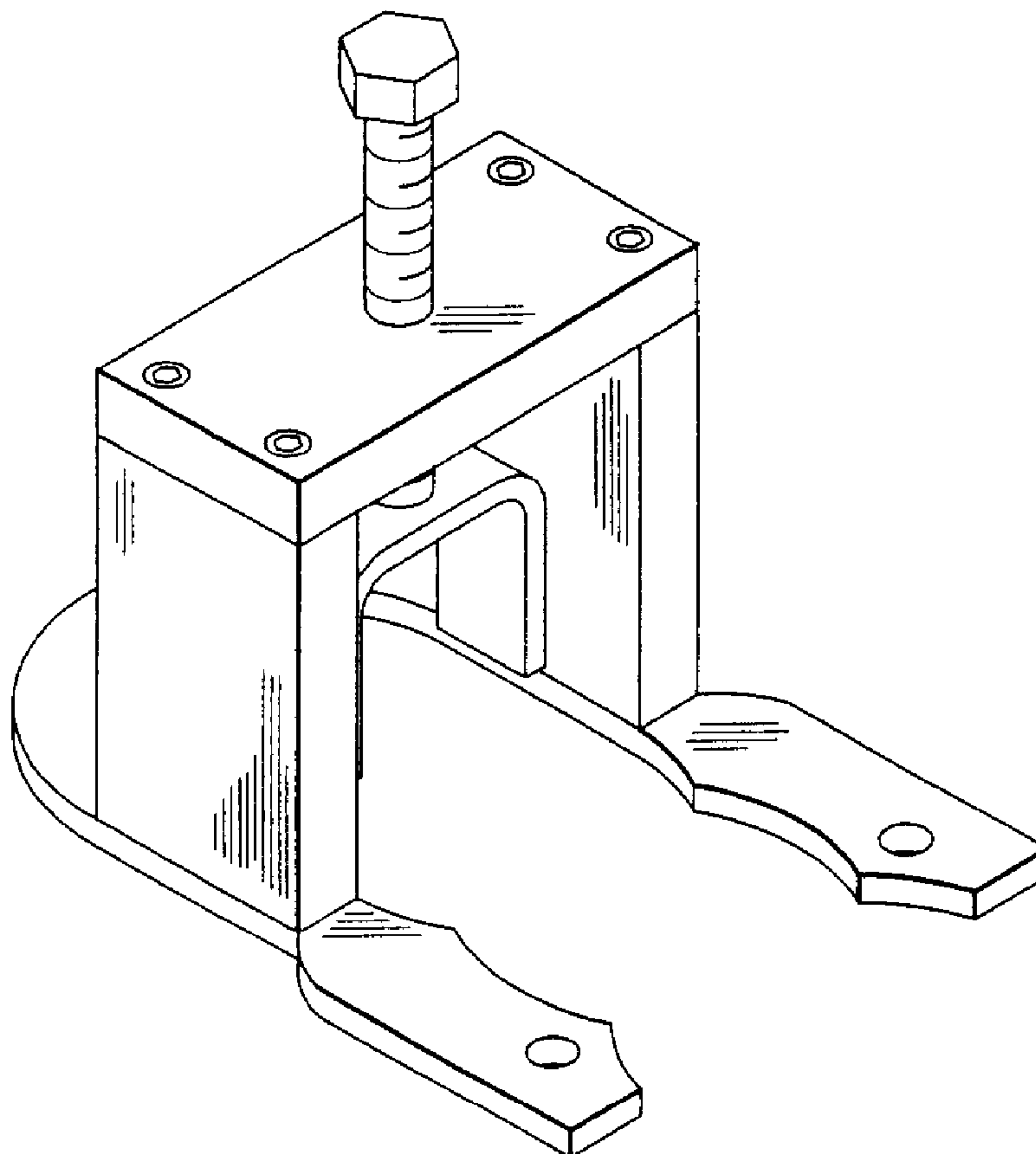
FIG. 3 depicts a back elevational view of the invention of FIG. 1.

FIG. 4 depicts a side elevational view of the invention of FIG. 1.

FIG. 5 depicts a top plan view of the invention of FIG. 1; and,

FIG. 6 depicts a bottom plan view of the invention of FIG. 1.

1 Claim, 2 Drawing Sheets



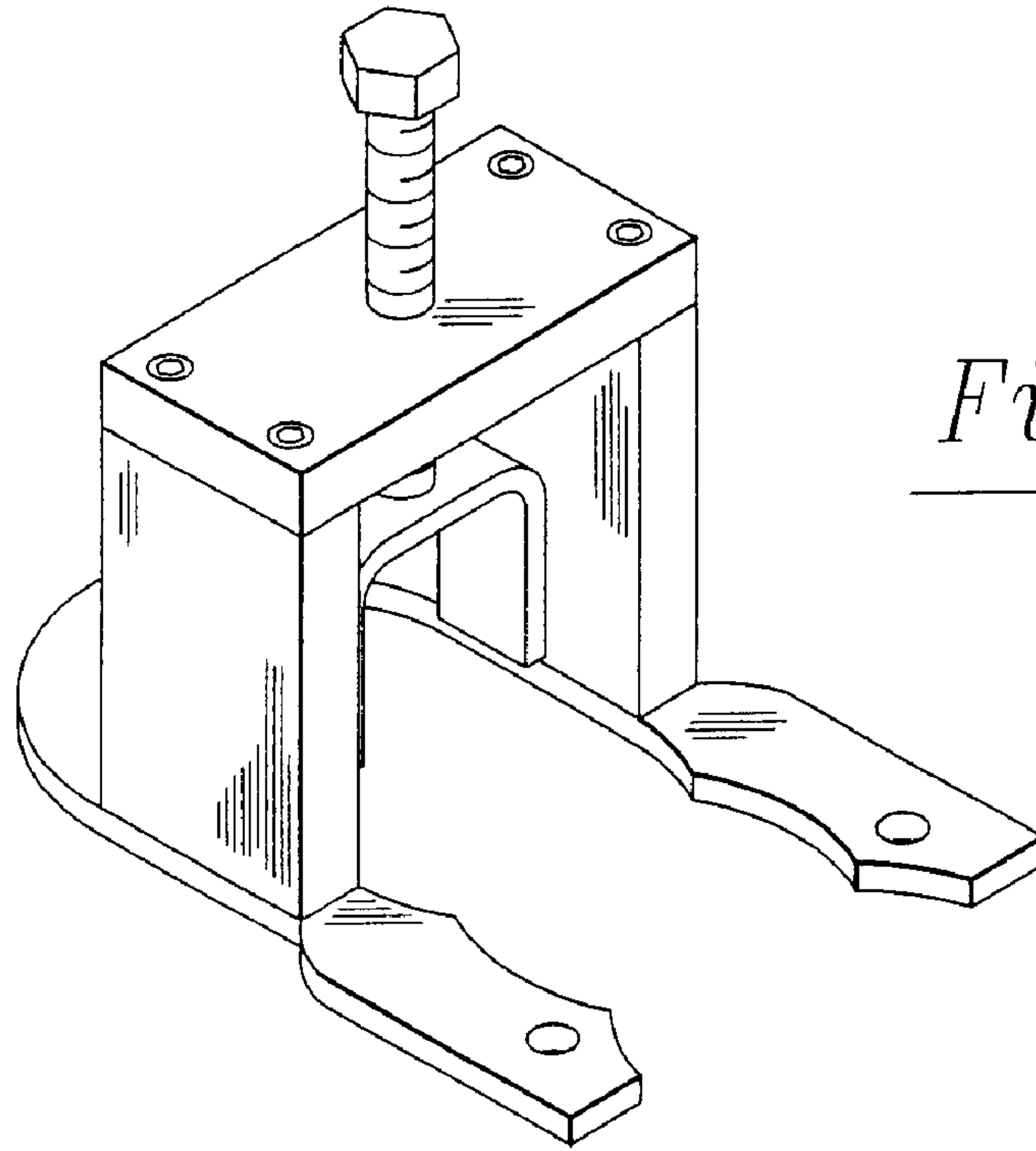


Fig. 1

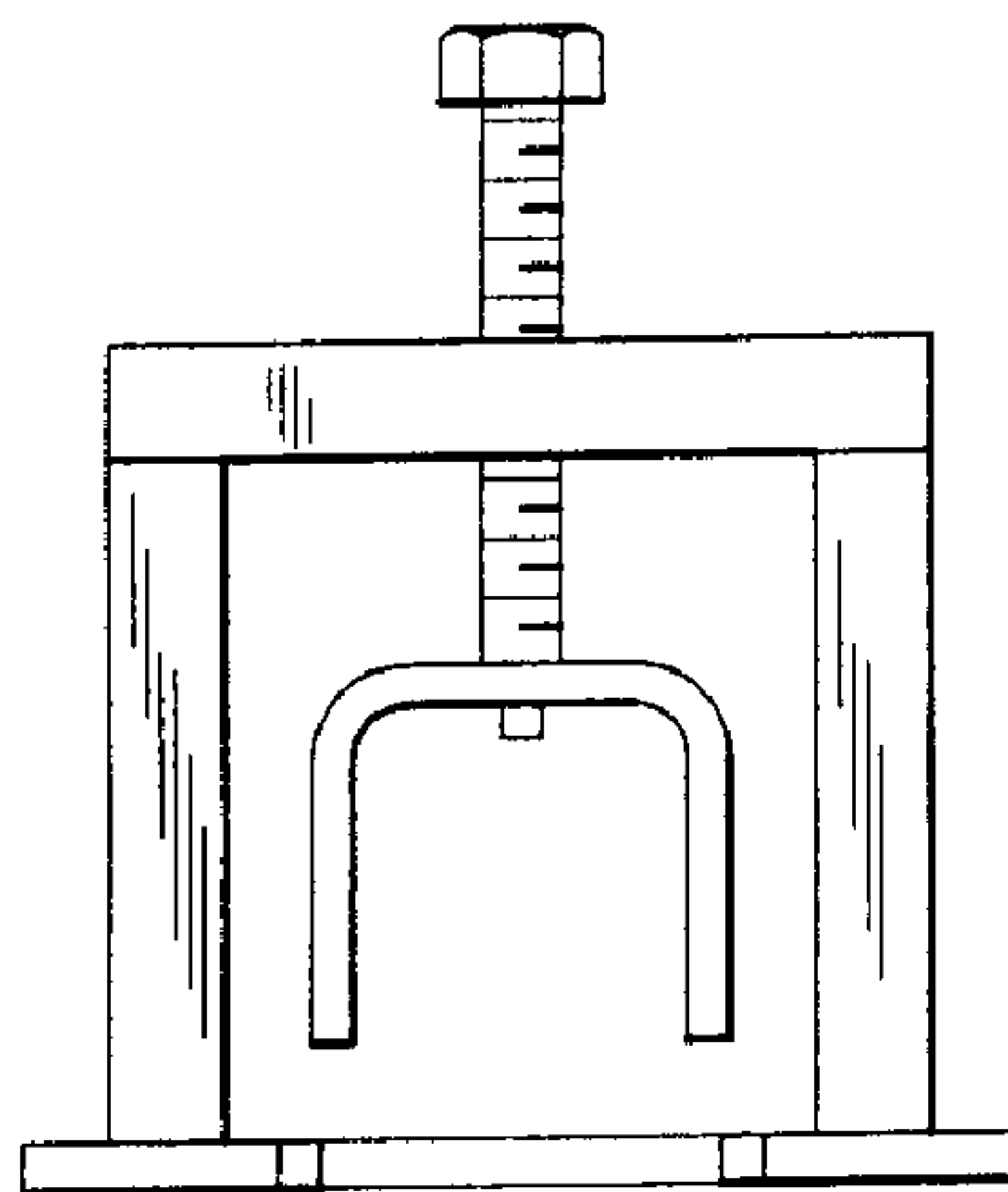


Fig. 2

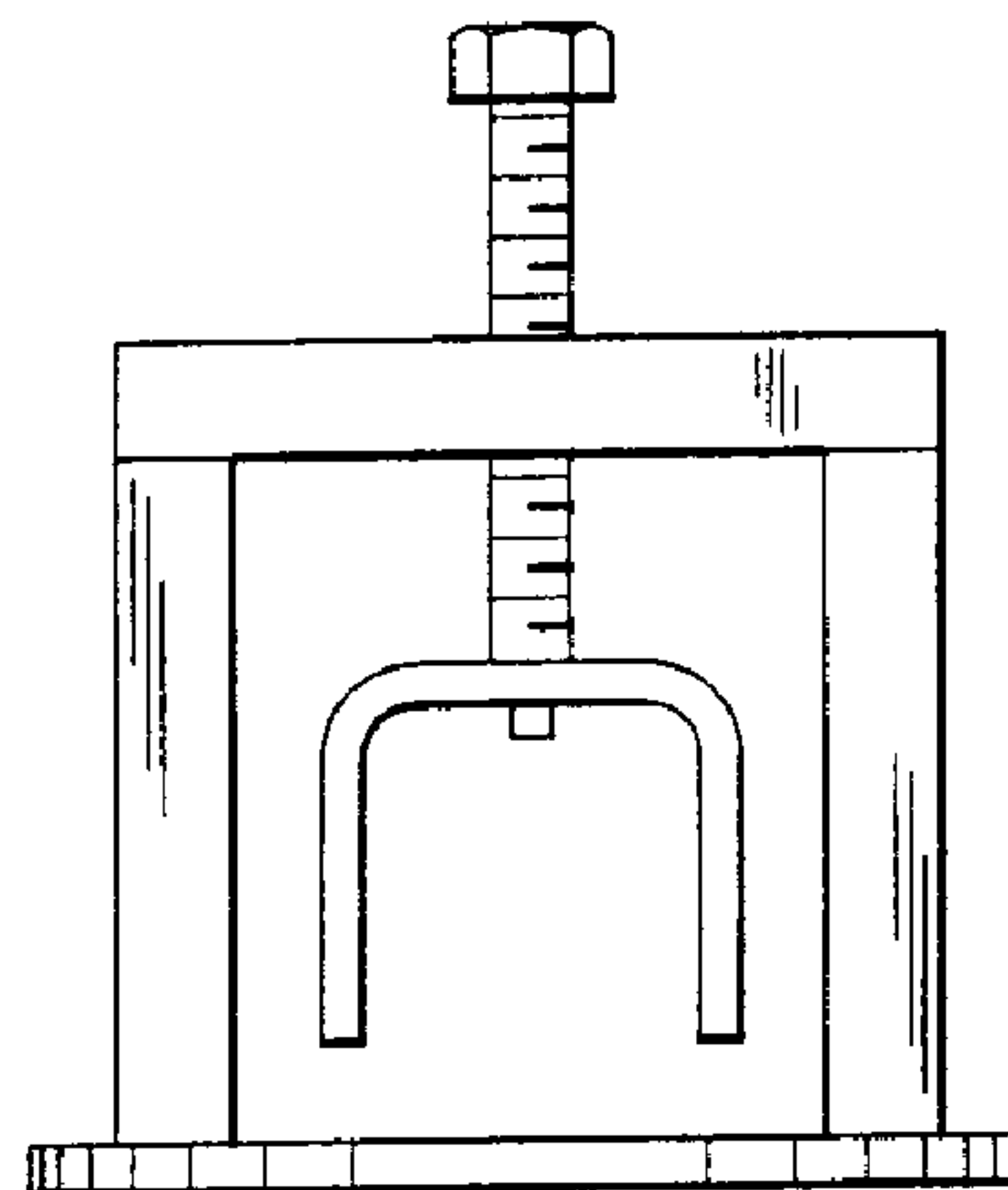


Fig. 3

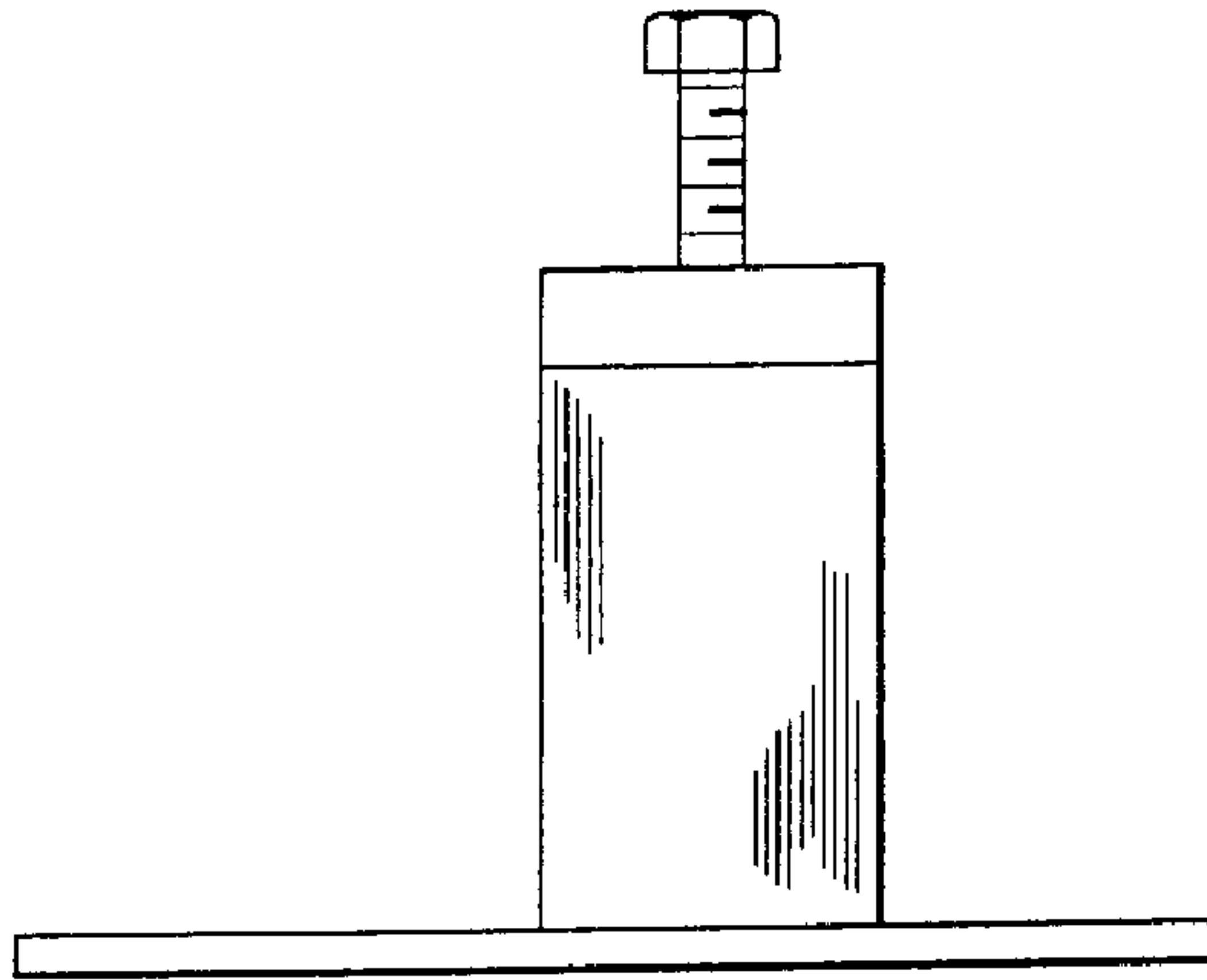


Fig. 4

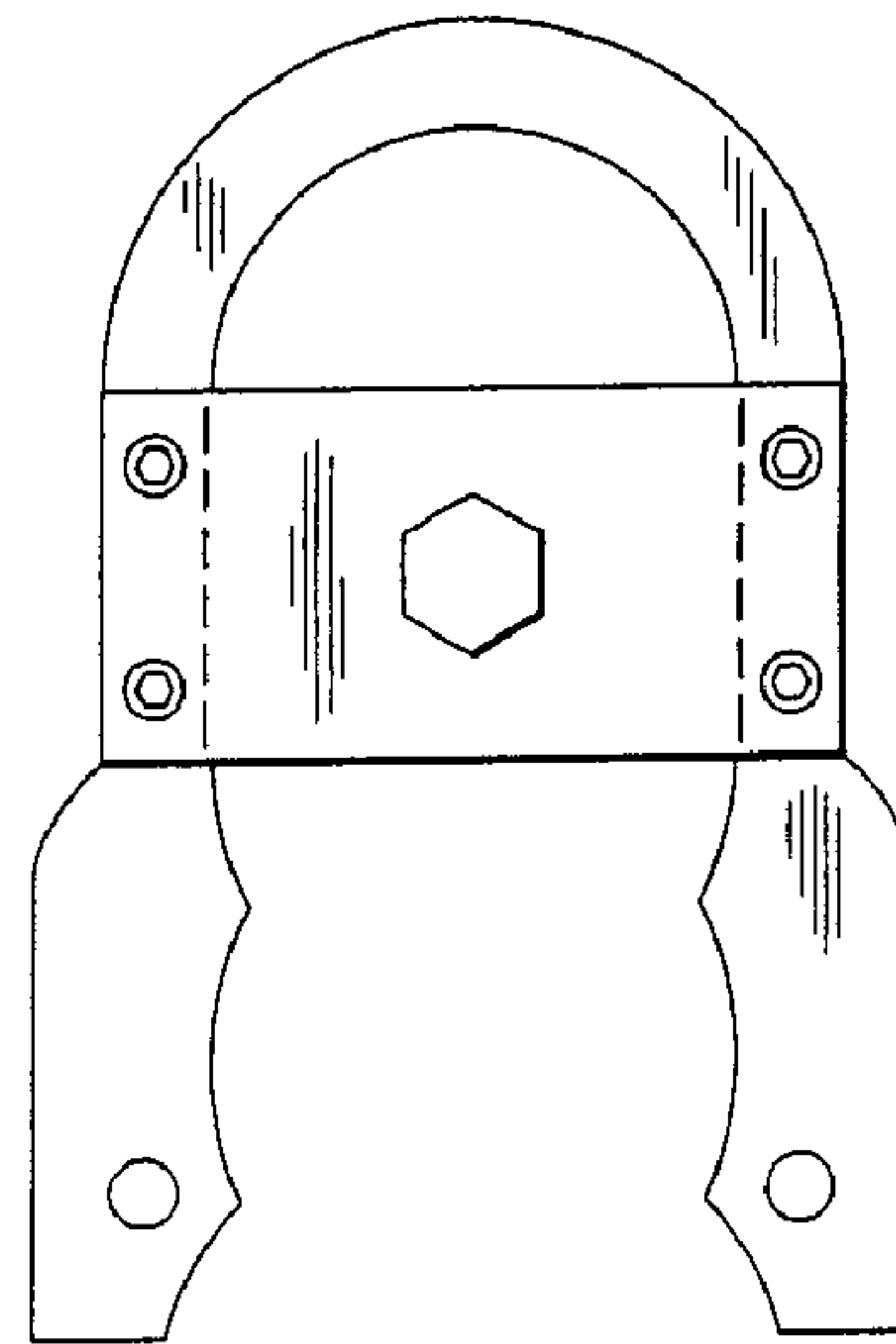


Fig. 5

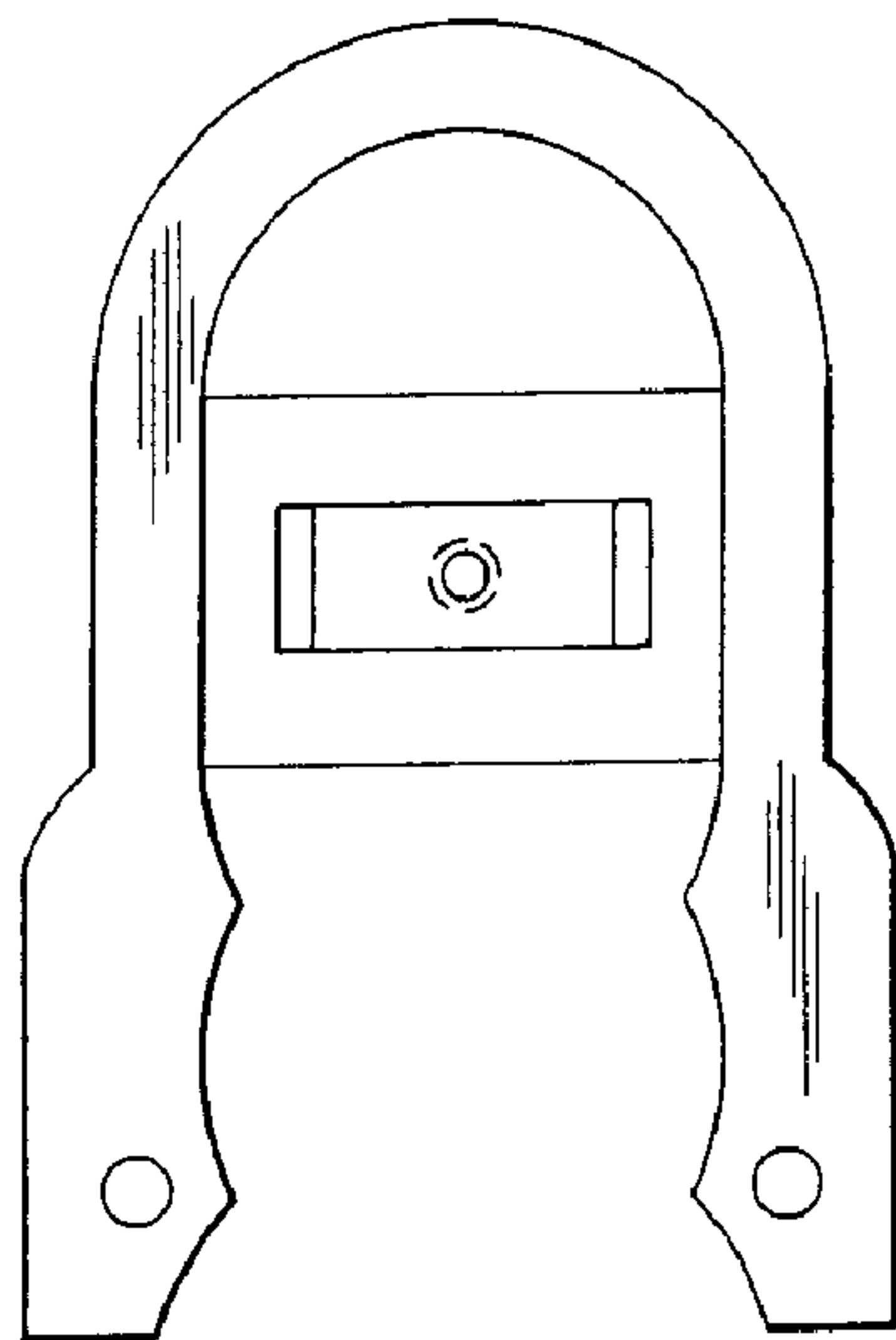


Fig. 6