

US00D511655S

(12) **United States Design Patent**
Kim

(10) **Patent No.:** **US D511,655 S**

(45) **Date of Patent:** **** Nov. 22, 2005**

(54) **CONTAINER FOR STORING FOOD**

D311,665 S * 10/1990 Carlson D7/629
D469,011 S * 1/2003 Miller D9/417
D484,367 S * 12/2003 Kim D7/629

(75) Inventor: **Chang-Ho Kim**, Incheon (KR)

* cited by examiner

(73) Assignee: **Hana Cobi Co., Ltd.**, Incheon (KR)

Primary Examiner—Terry A. Wallace

(**) Term: **14 Years**

(74) *Attorney, Agent, or Firm*—Birch, Stewart, Kolasch & Birch, LLP

(21) Appl. No.: **29/204,019**

(22) Filed: **Apr. 23, 2004**

(57) **CLAIM**

(30) **Foreign Application Priority Data**

The ornamental design for a container for storing food, as shown.

Mar. 15, 2004 (KR) 30-2004-0007127

DESCRIPTION

(51) **LOC (8) Cl.** **07-01**

FIG. 1 is a front, right perspective view of the container for storing food showing my new design;

(52) **U.S. Cl.** **D7/629; D7/612**

FIG. 2 is a front view thereof;

(58) **Field of Search** D7/612–615, 629,

FIG. 3 is a rear view thereof;

D7/601, 312, 321; 220/780–806; 222/454,

FIG. 4 is a left-side view thereof;

456, 475.1, 158

FIG. 5 is a right-side view thereof;

(56) **References Cited**

FIG. 6 is a top plan view thereof; and,

U.S. PATENT DOCUMENTS

FIG. 7 is a bottom plan view thereof.

D284,728 S * 7/1986 Trivison D7/629

1 Claim, 6 Drawing Sheets

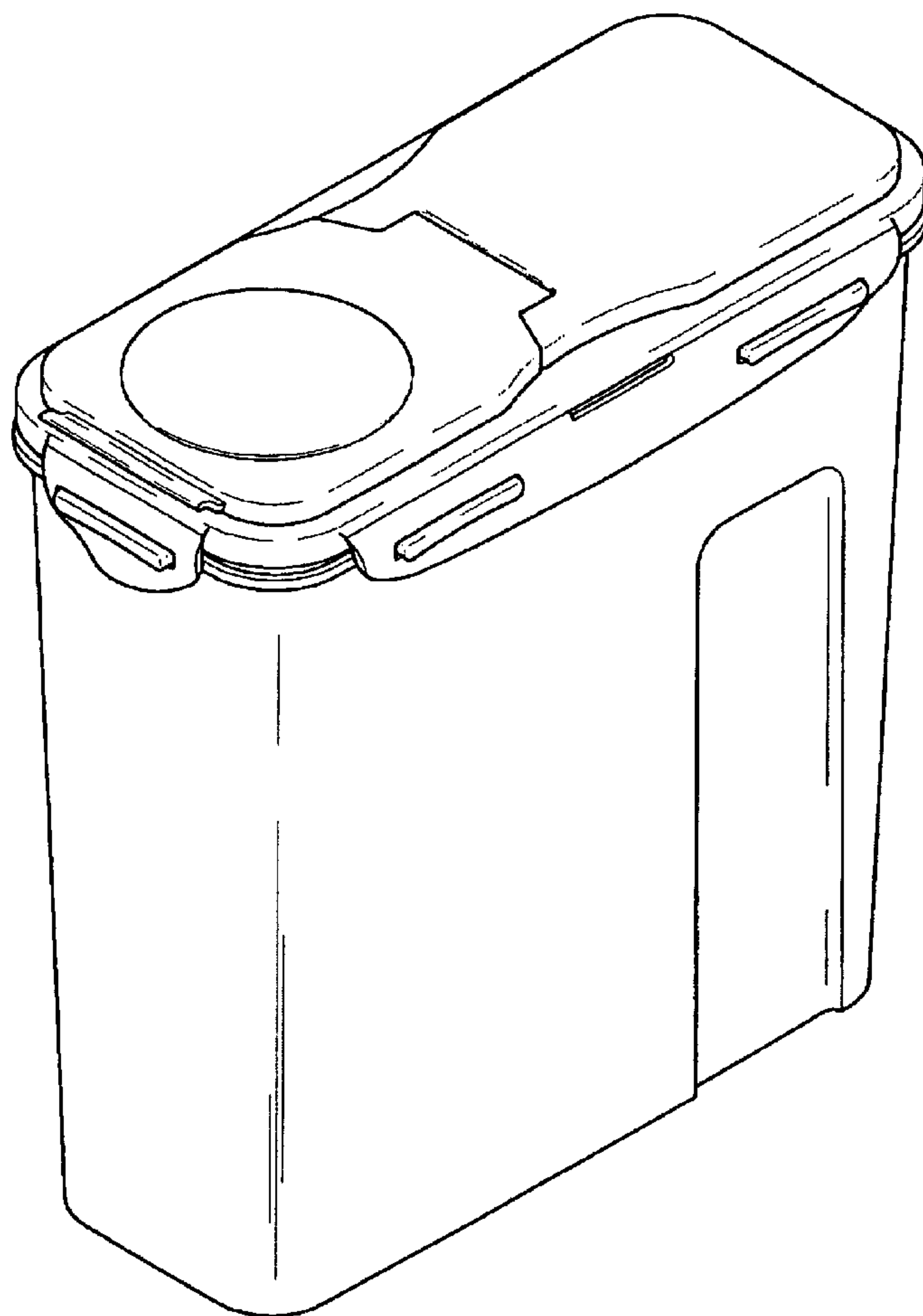


Fig. 1

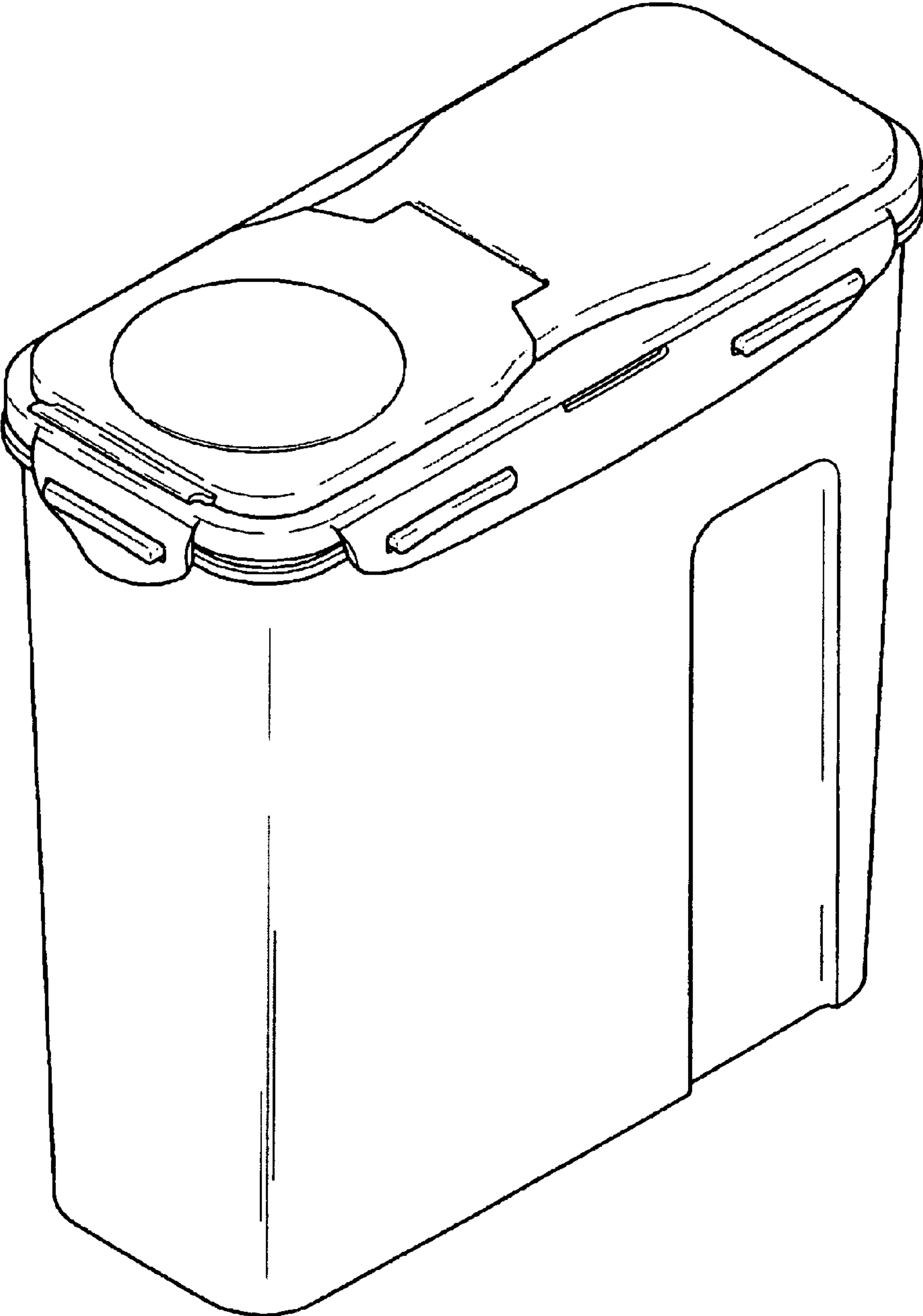


Fig.2

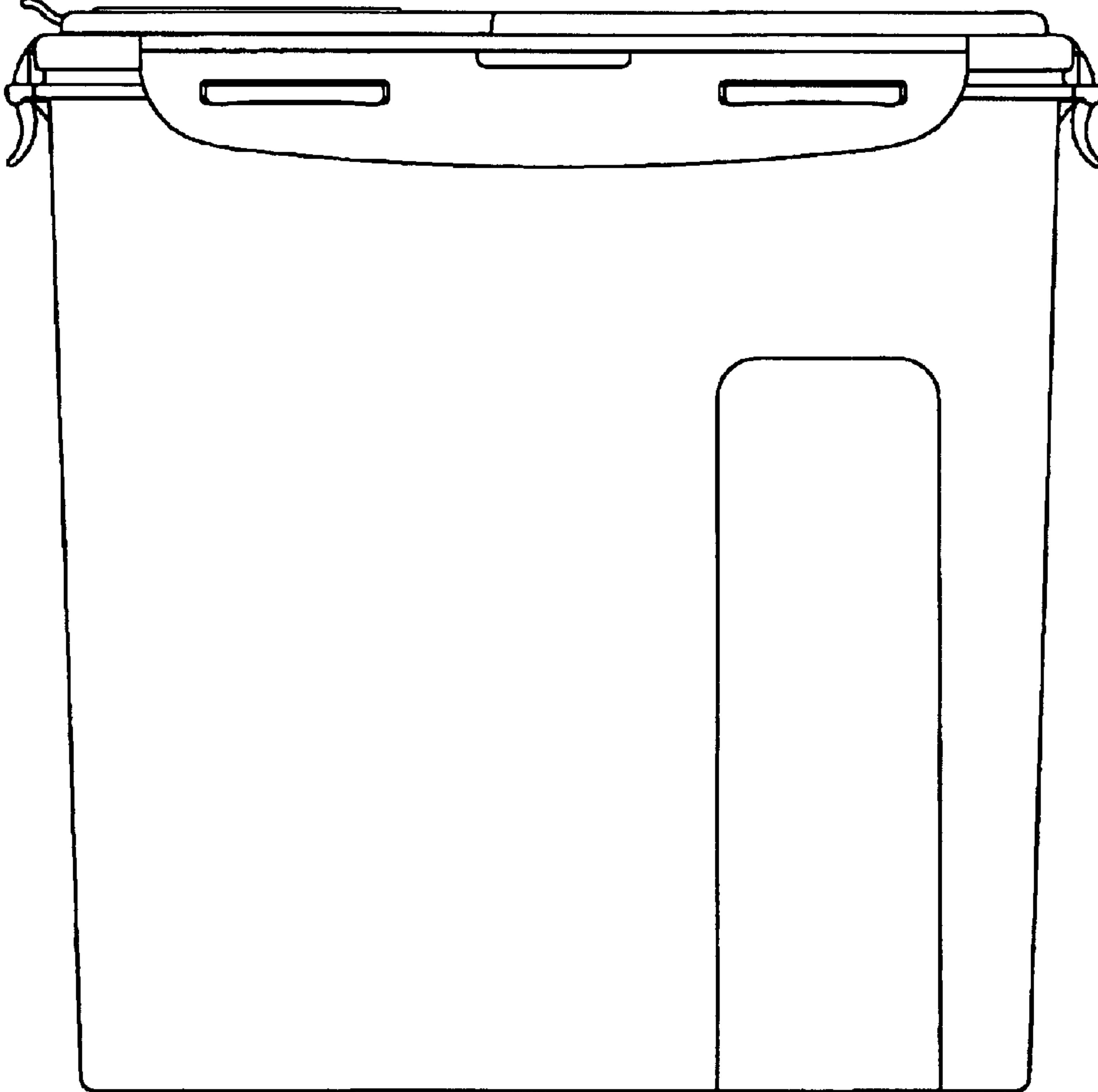


Fig.3

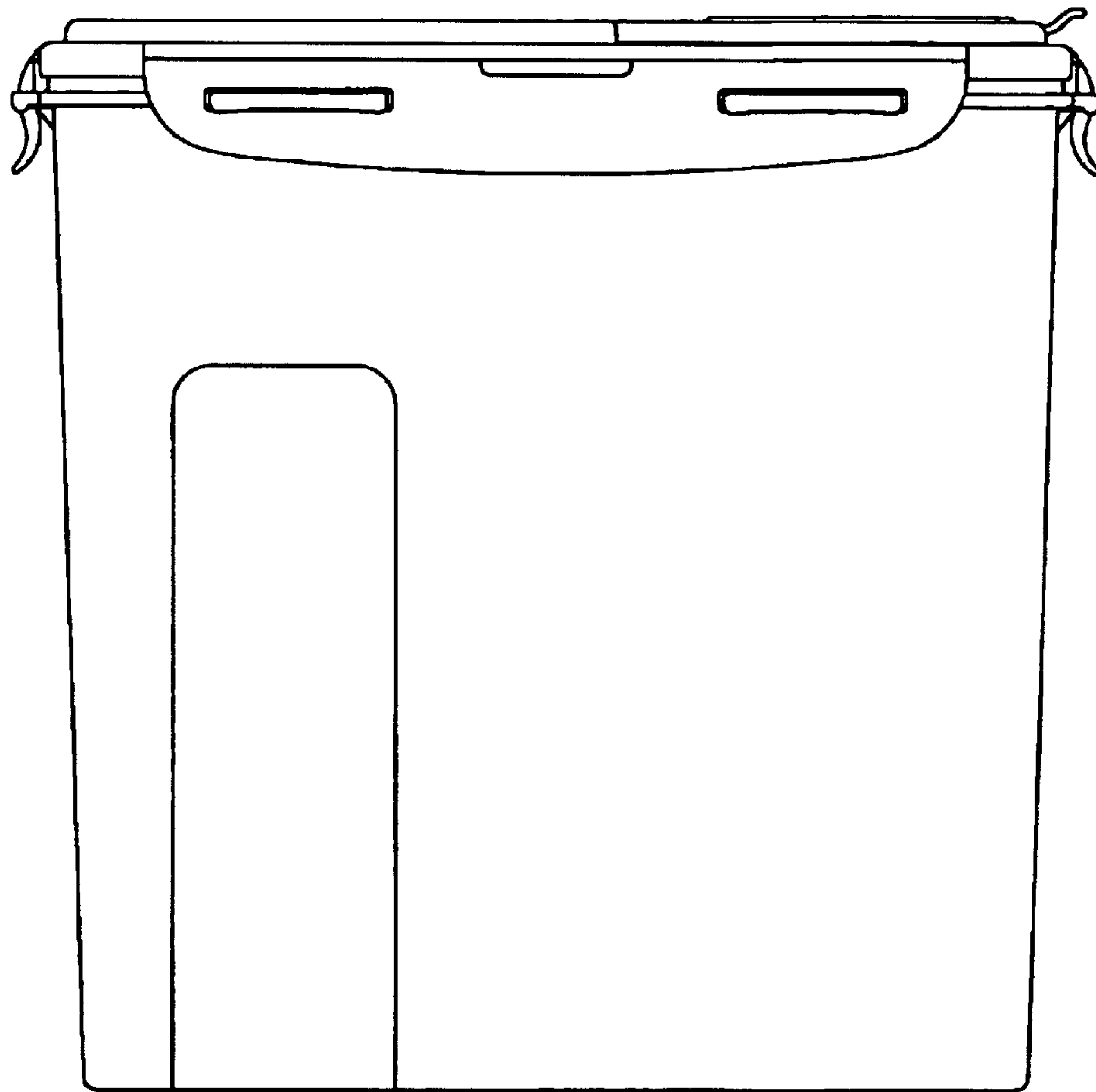


Fig.4

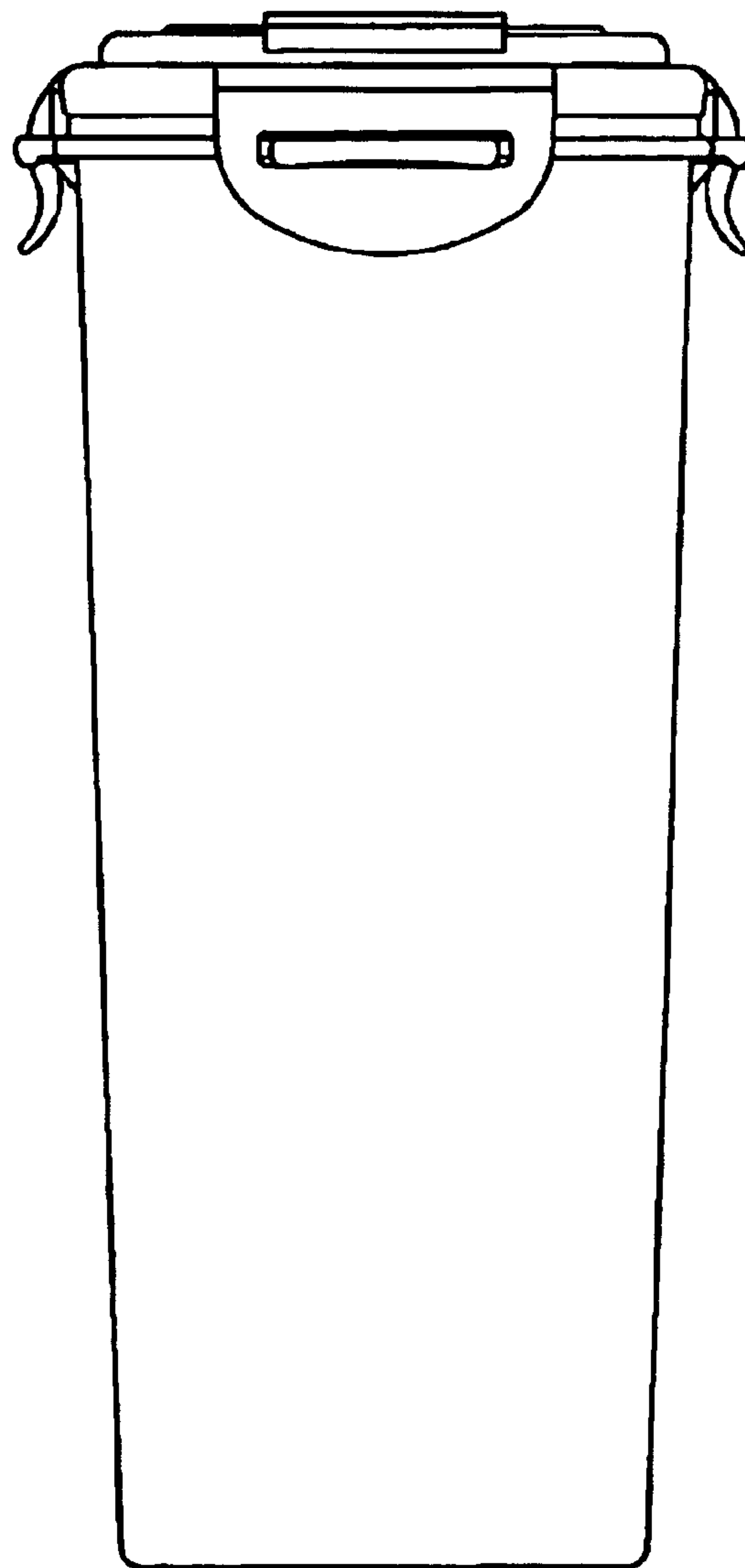


Fig.5

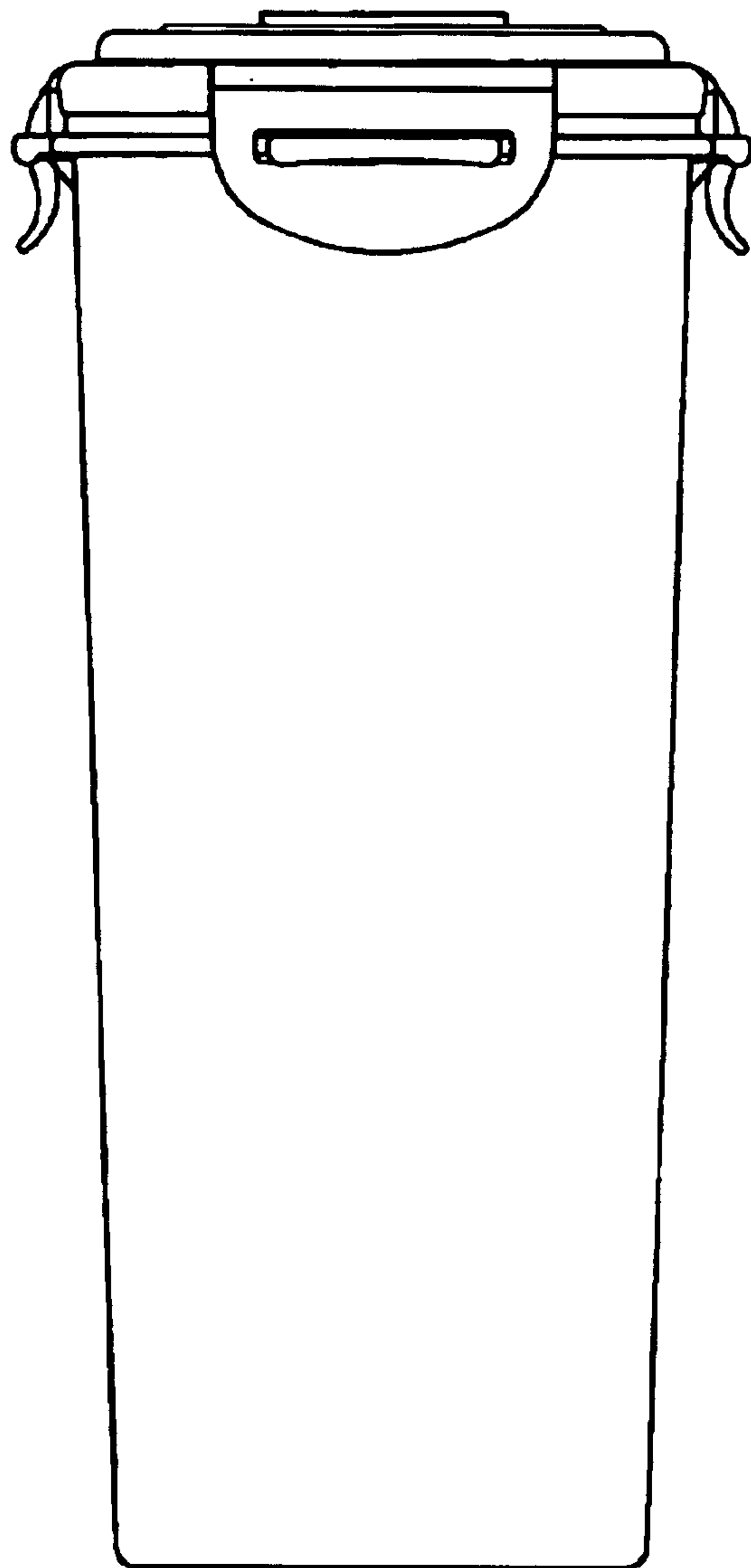


Fig.6

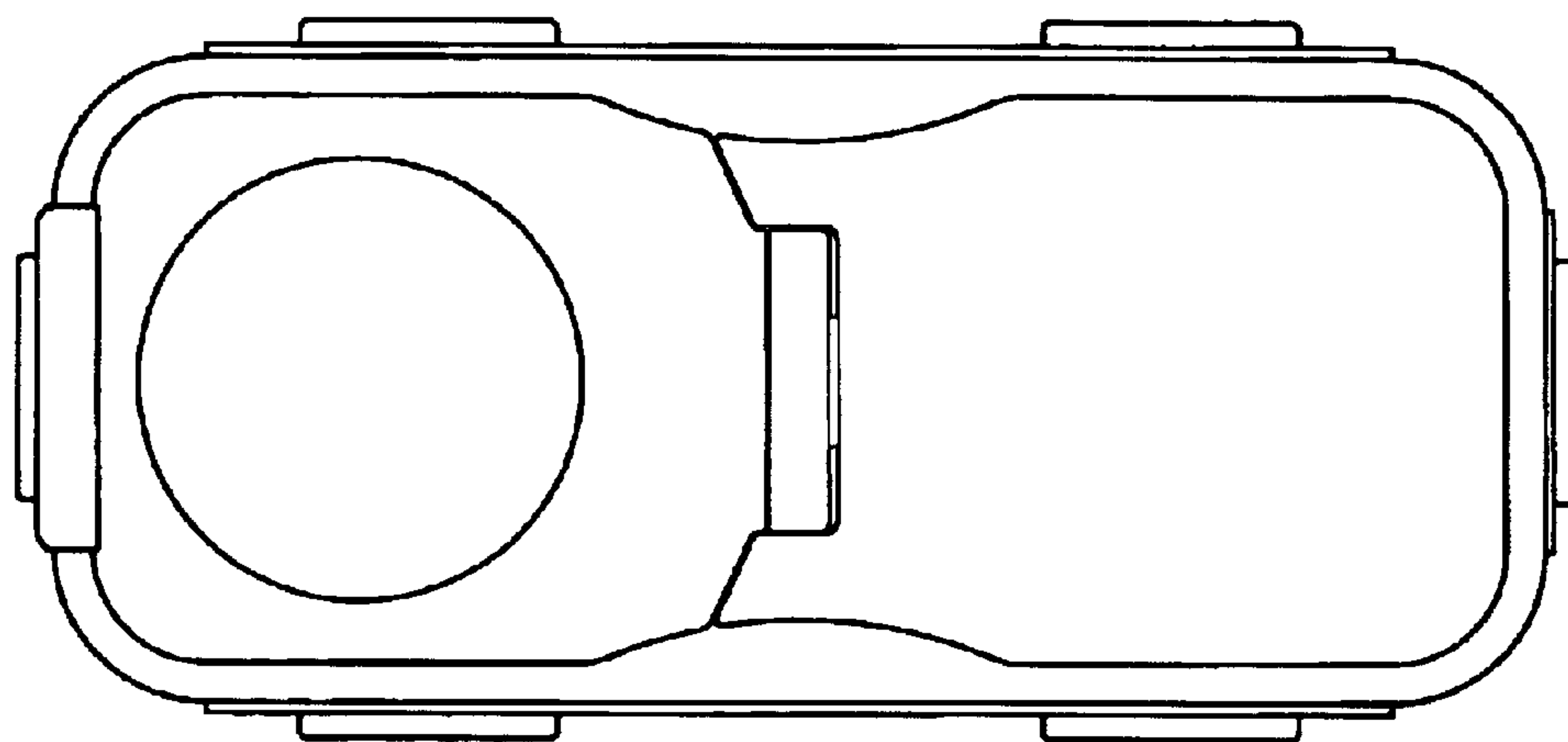


Fig.7

