

US00D511650S

(12) **United States Design Patent**
McKenzie

(10) **Patent No.: US D511,650 S**

(45) **Date of Patent: ** Nov. 22, 2005**

(54) **BASE FOR A BARBEQUE GRILL**

(76) **Inventor: Stuart T. McKenzie, R.R. #1, Box 16,
L45 BC4, Tiny T.P., Wyevale (CA),
L0L 2TO**

(**) **Term: 14 Years**

(21) **Appl. No.: 29/187,520**

(22) **Filed: Aug. 4, 2003**

(51) **LOC (8) Cl. 07-02**

(52) **U.S. Cl. D7/402**

(58) **Field of Search** D7/332-337, 402-406,
D7/393; 126/25 R, 41 R, 37 R, 40, 304 R,
305, 276, 332; D21/548-549; D6/574, 511;
99/450, 419, 422; 211/134; D8/300, 303,
306-307, 310-312, 315-317, 319-320;
74/543; 16/436, 417, 421, 419, 444, 315,
110.1; D25/163; 248/129

(56) **References Cited**

U.S. PATENT DOCUMENTS

D372,637 S * 8/1996 Moore D7/403
D375,436 S * 11/1996 Bird et al. D7/403

5,666,941 A * 9/1997 Teufel et al. 126/41 R
D460,312 S * 7/2002 Fry et al. D7/334
D494,406 S * 8/2004 Zhang D7/334
2003/0037781 A1 * 2/2003 Wu 126/25 R
2004/0112363 A1 * 6/2004 Speck et al. 126/41 R

* cited by examiner

Primary Examiner—Ruth McInroy

(57) **CLAIM**

I claim the ornamental design for a base for a barbeque grill,
as shown and described.

DESCRIPTION

FIG. 1 is a top front perspective view of a base for a
barbeque grill showing my new design;
FIG. 2 is a top plan view thereof;
FIG. 3 is a rear elevational view thereof;
FIG. 4 is a right side elevational view thereof;
FIG. 5 is a left side elevational view thereof;
FIG. 6 is a front elevational view thereof;
FIG. 7 is a bottom plan view thereof; and,
FIG. 8 is a perspective view thereof, the grill shown in
broken lines forms no part of the claimed design.

1 Claim, 4 Drawing Sheets

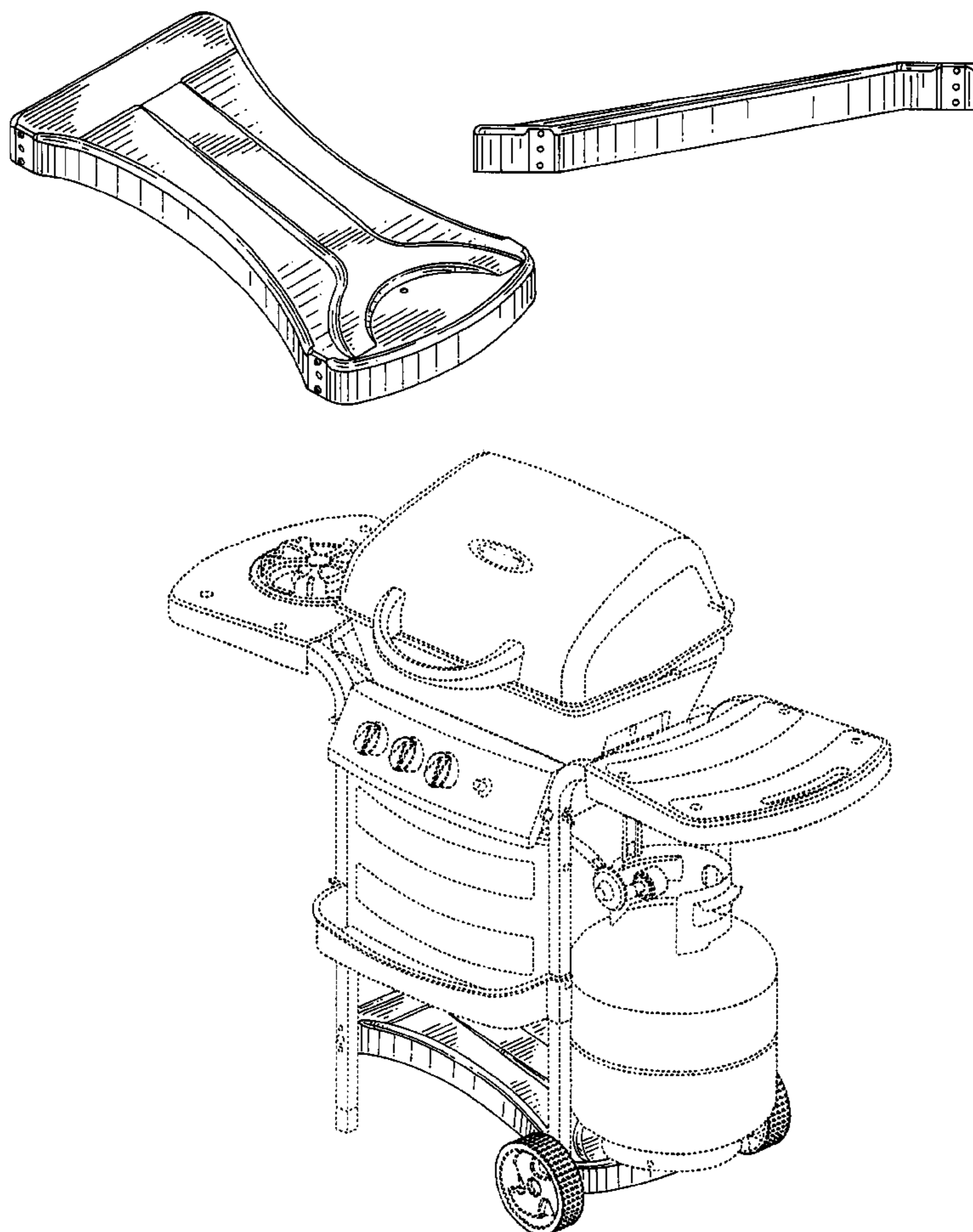


Fig. 1

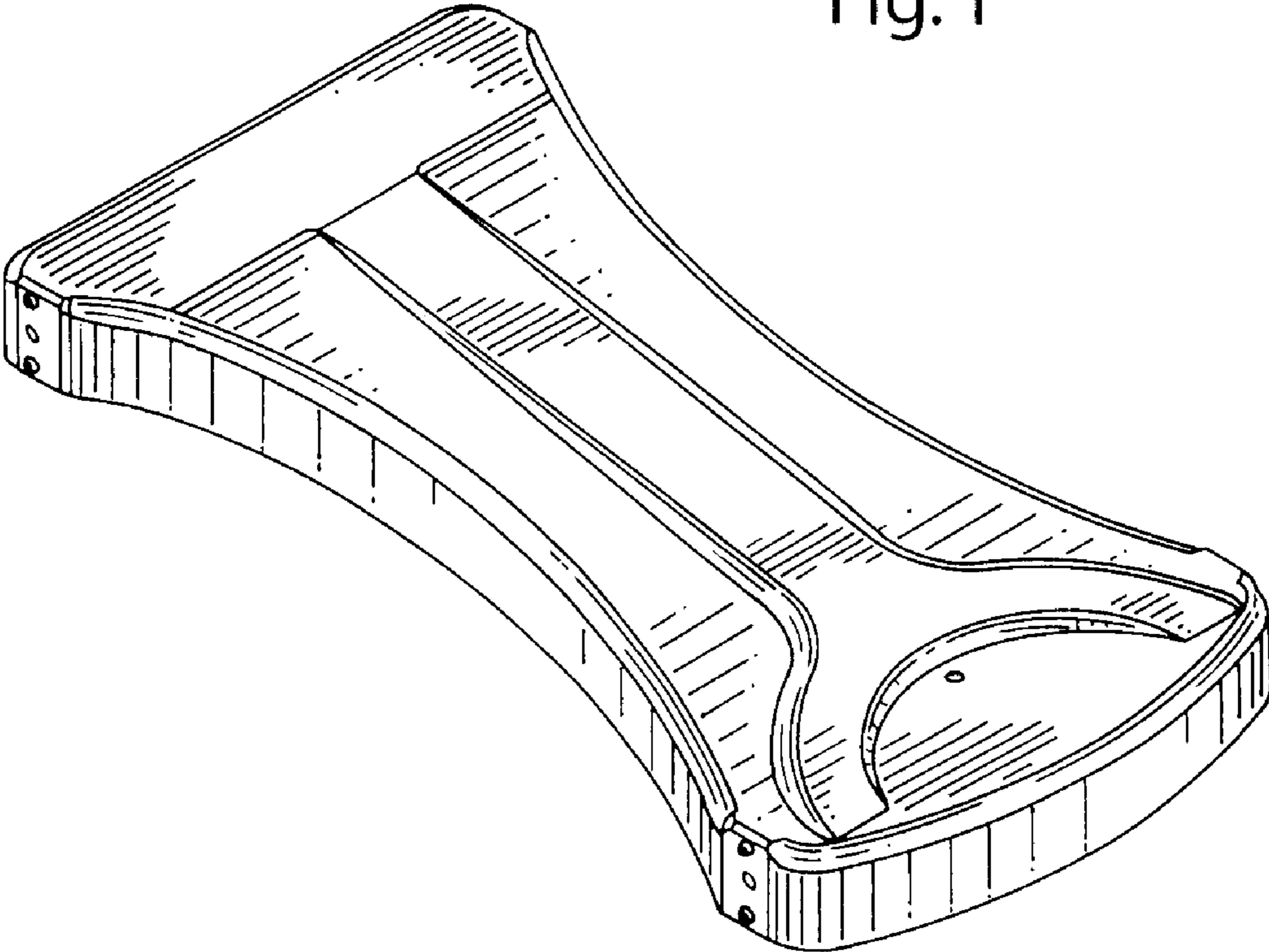


Fig. 2

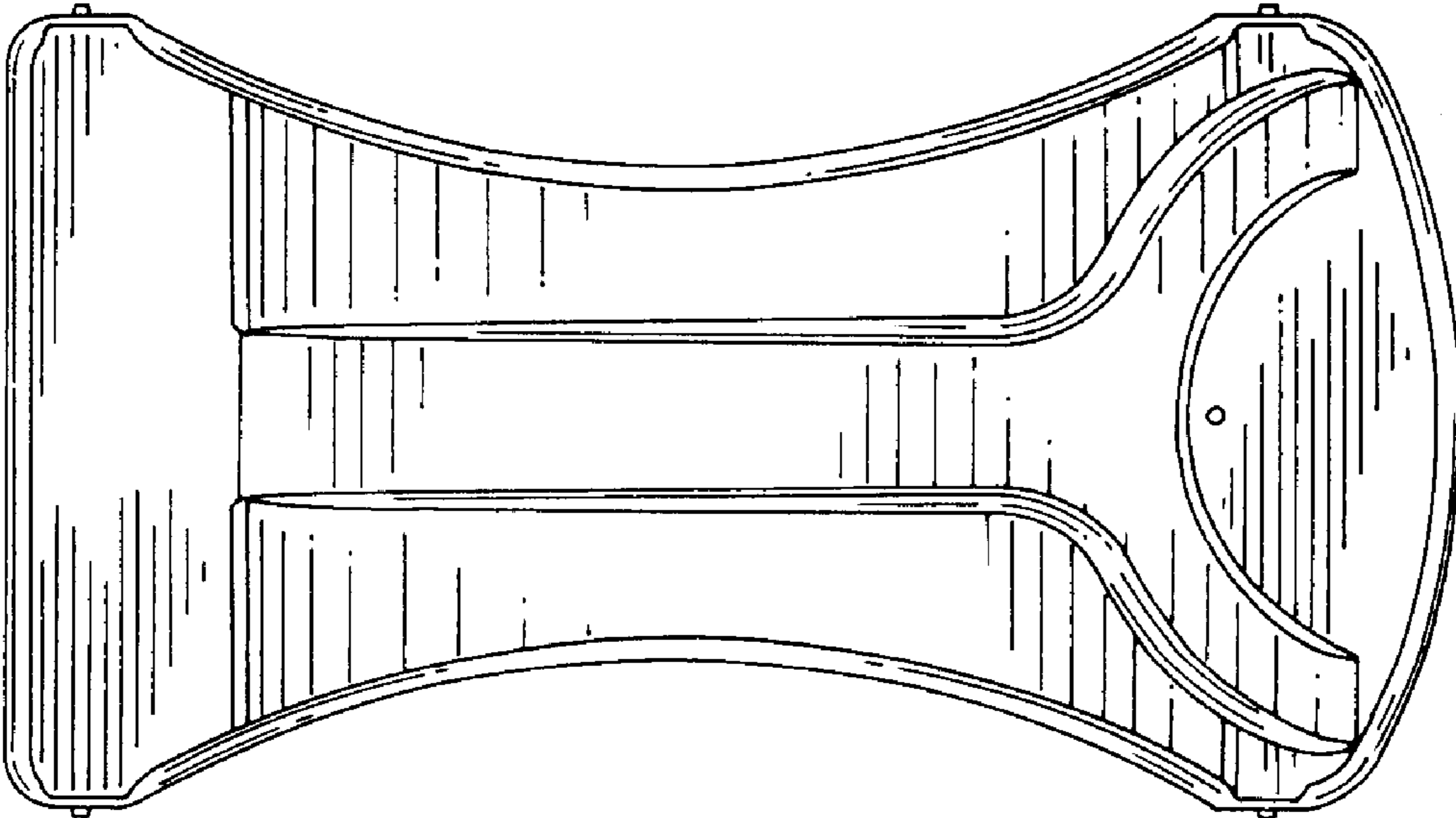


Fig. 3

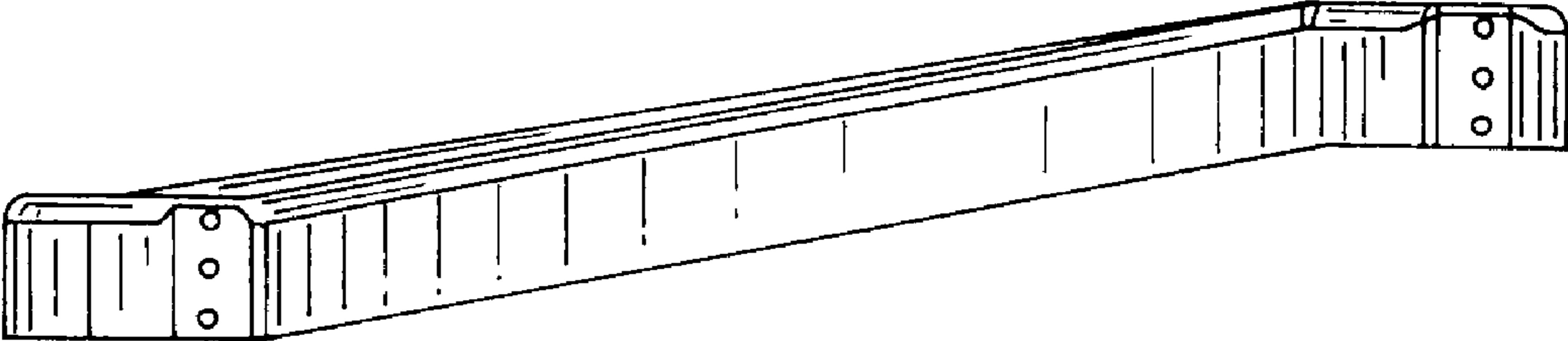


Fig. 7

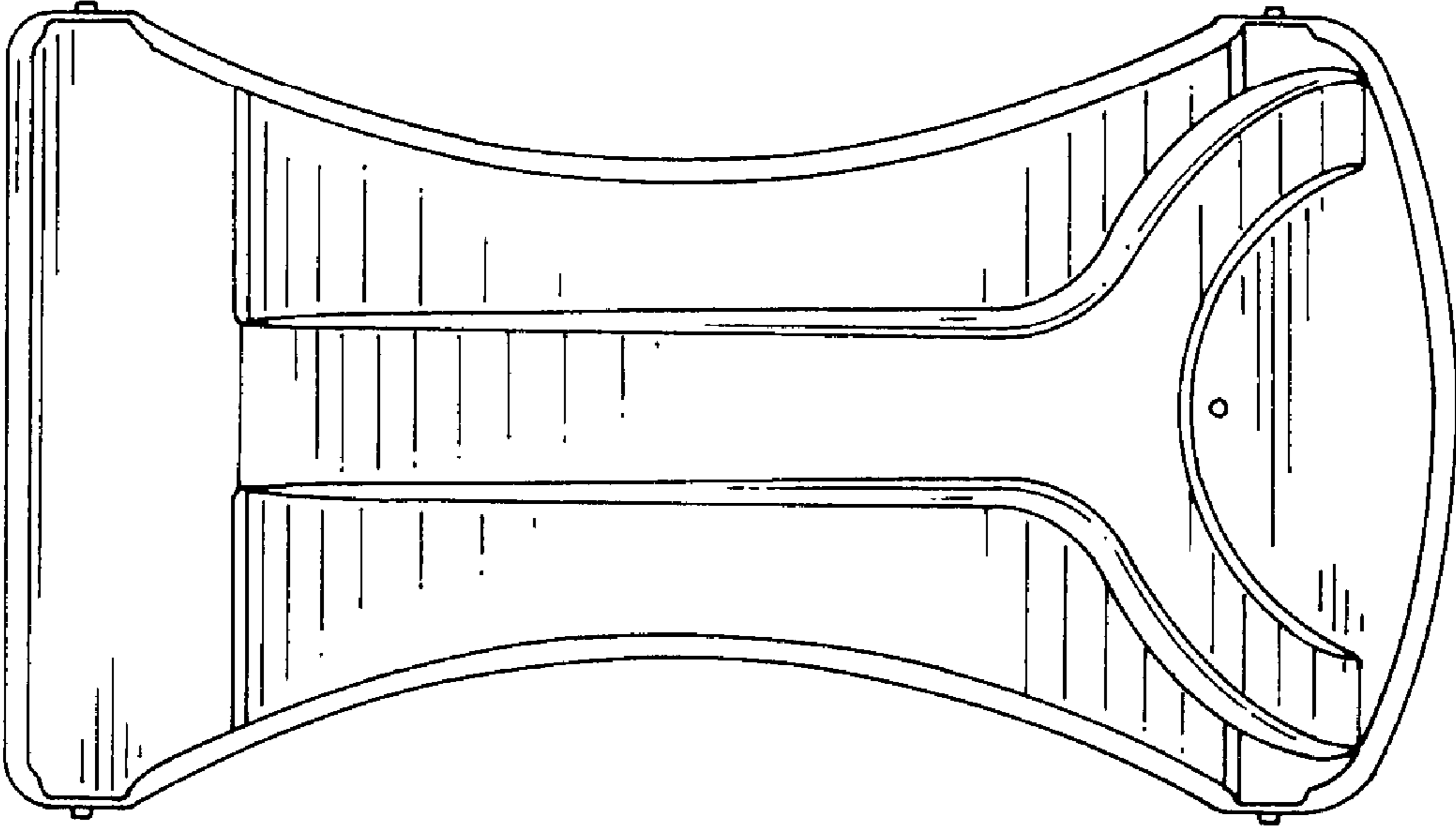


Fig. 6

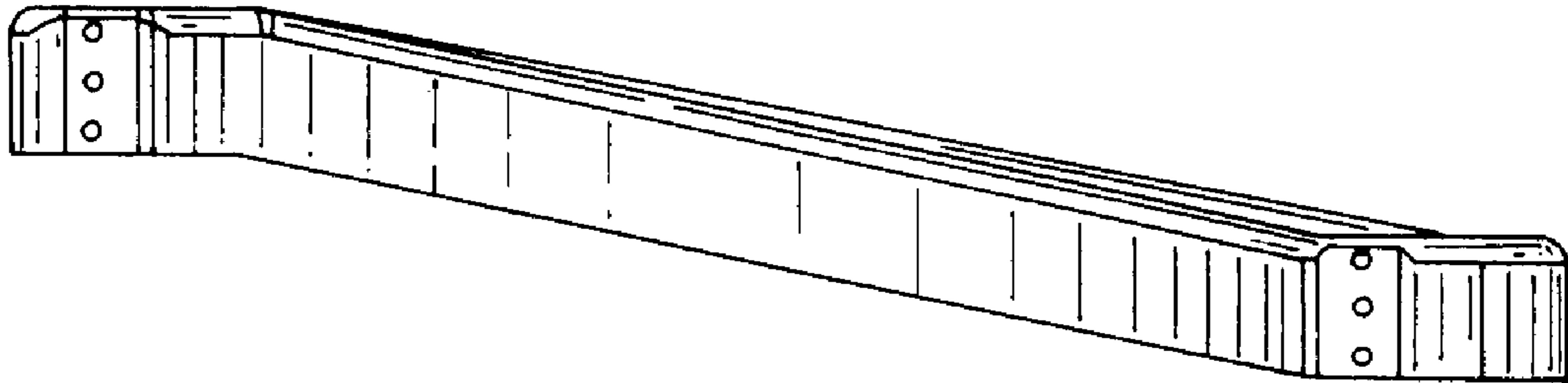


Fig. 5

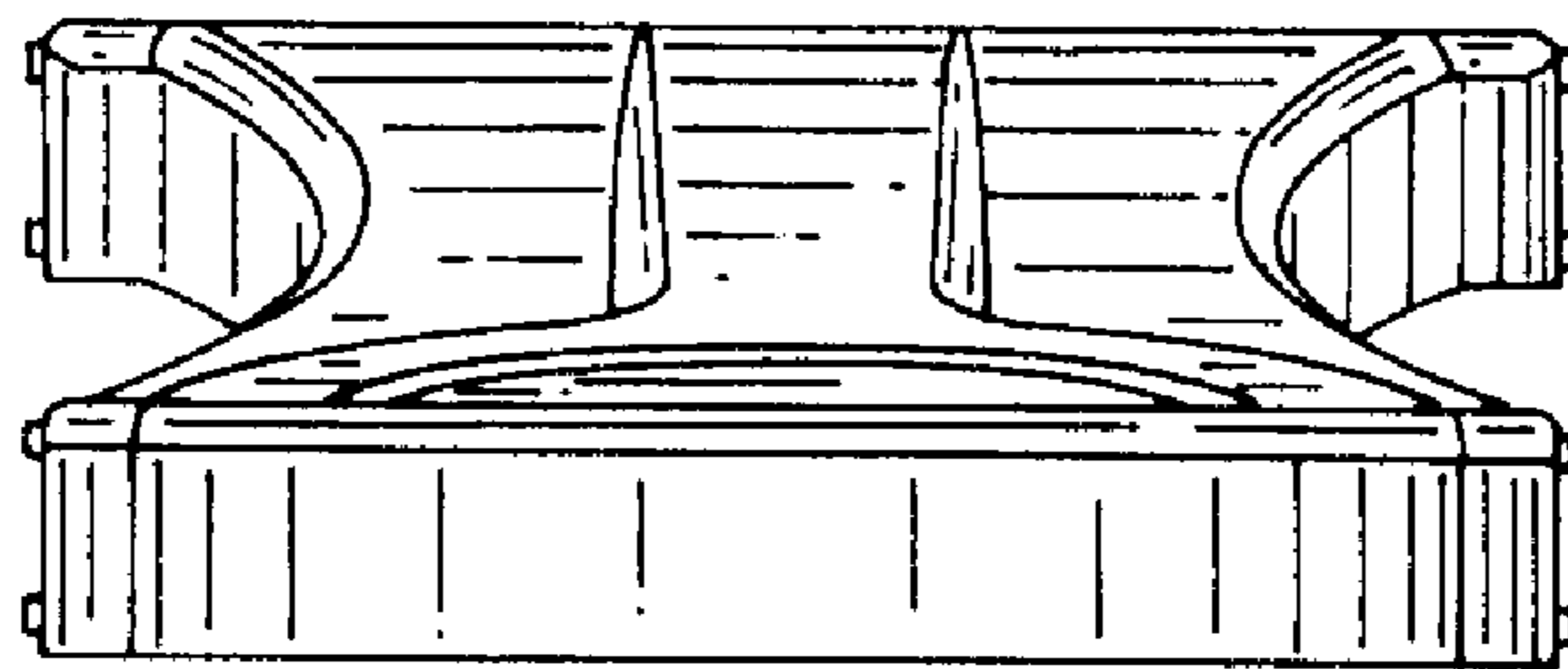


Fig. 4

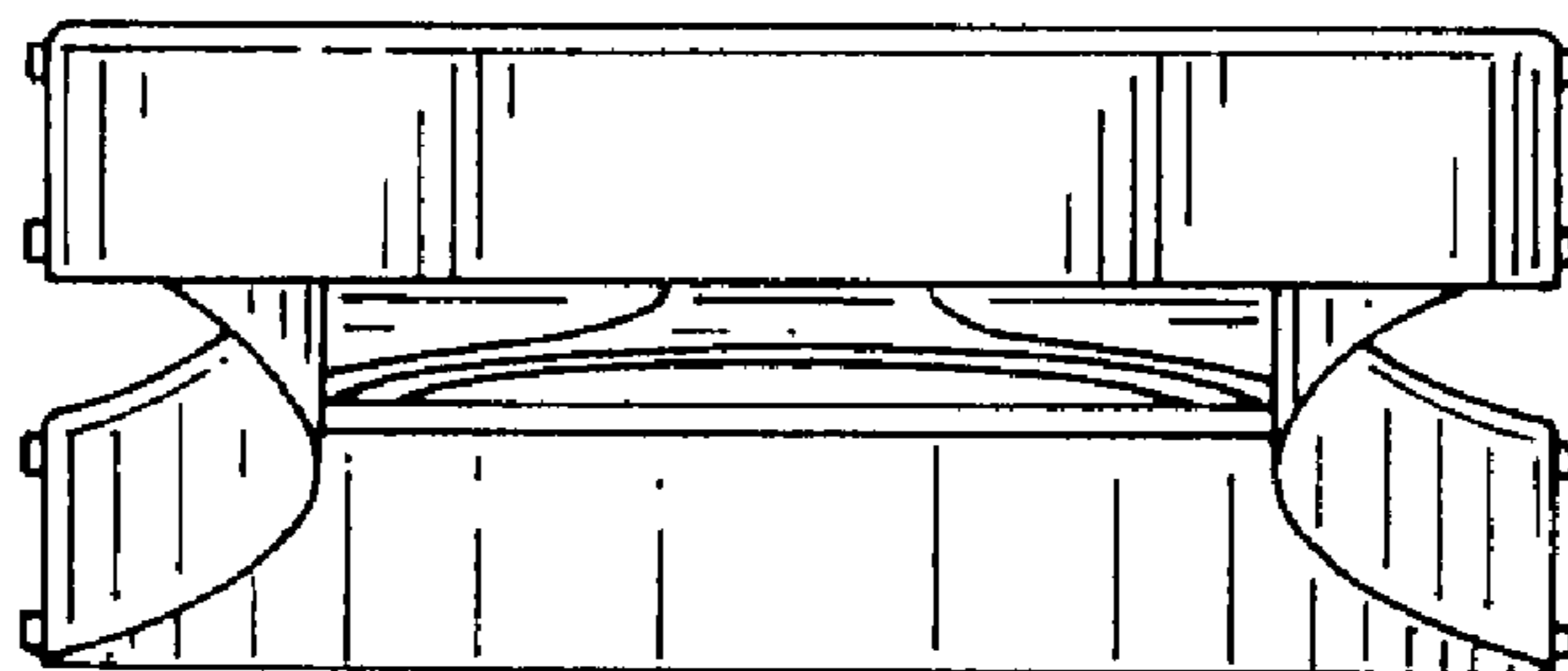


Fig. 8

