



US00D511649S

(12) **United States Design Patent**
Chen

(10) **Patent No.:** **US D511,649 S**

(45) **Date of Patent:** **** Nov. 22, 2005**

(54) **FOUNDATION FOR A COFFEE MAKER**

(75) **Inventor:** **Chun-Shiuh Chen, Walnut, CA (US)**

(73) **Assignee:** **Sunpentown International Inc., City of Industry, CA (US)**

(**) **Term:** **14 Years**

(21) **Appl. No.:** **29/205,540**

(22) **Filed:** **May 18, 2004**

(51) **LOC (8) Cl.** **07-99**

(52) **U.S. Cl.** **D7/399; D7/397**

(58) **Field of Search** **D7/397, 399, 309, D7/310, 311; 219/433; 99/304, 288, 279; 392/467; 222/183; D6/468**

(56) **References Cited**

U.S. PATENT DOCUMENTS

D154,921 S	*	8/1949	Haffner	D7/399
D196,376 S	*	9/1963	Hines	D7/397
4,083,294 A	*	4/1978	Petry	99/279
4,128,050 A	*	12/1978	Petry	99/304
D265,041 S	*	6/1982	Lee et al.	D7/309
4,442,343 A	*	4/1984	Genuit et al.	219/433
D275,926 S	*	10/1984	Corona	D7/399
D276,785 S	*	12/1984	Cleland	D7/399

D306,536 S	*	3/1990	Pandolfi	D6/468
D378,970 S	*	4/1997	Brady et al.	D7/309
D408,680 S	*	4/1999	Lin	D7/309
D455,607 S	*	4/2002	Johnson	D7/397
D457,376 S	*	5/2002	Lin	D7/309
D484,733 S	*	1/2004	Kling	D7/309
D484,734 S	*	1/2004	Drobeck	D7/309
D488,663 S	*	4/2004	Price et al.	D7/309

* cited by examiner

Primary Examiner—M. N. Pandozzi

(74) *Attorney, Agent, or Firm*—Rosenberg, Klein & Lee

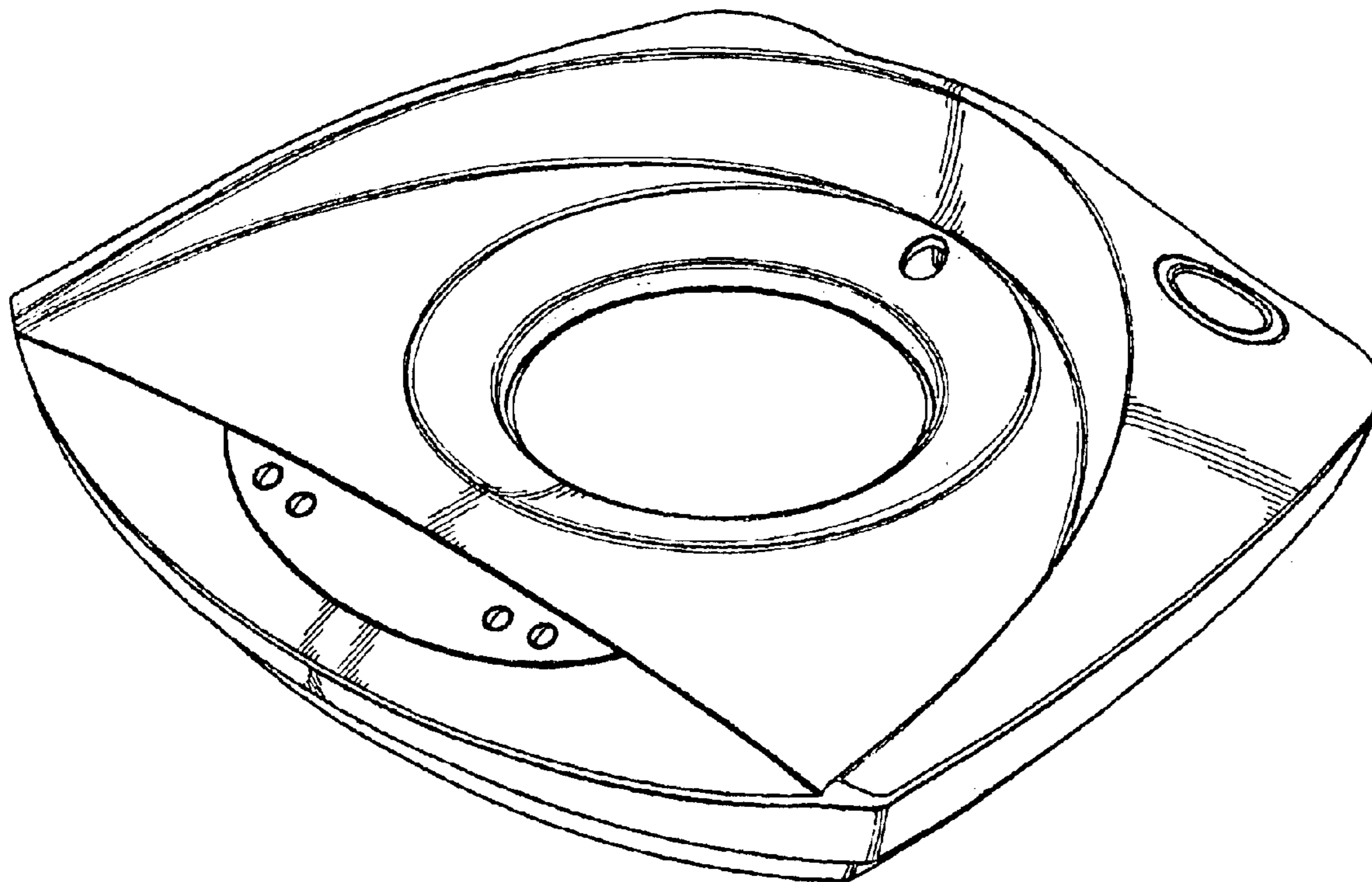
(57) **CLAIM**

The ornamental design for a foundation for a coffee maker, as shown and described.

DESCRIPTION

FIG. 1 is a perspective view of a foundation for a coffee maker showing my new design;
FIG. 2 is a front elevational view thereof;
FIG. 3 is a rear elevational view thereof;
FIG. 4 is a left side elevational view thereof;
FIG. 5 is a right side elevational view thereof;
FIG. 6 is a top plan view thereof; and,
FIG. 7 is a bottom plan view thereof.

1 Claim, 4 Drawing Sheets



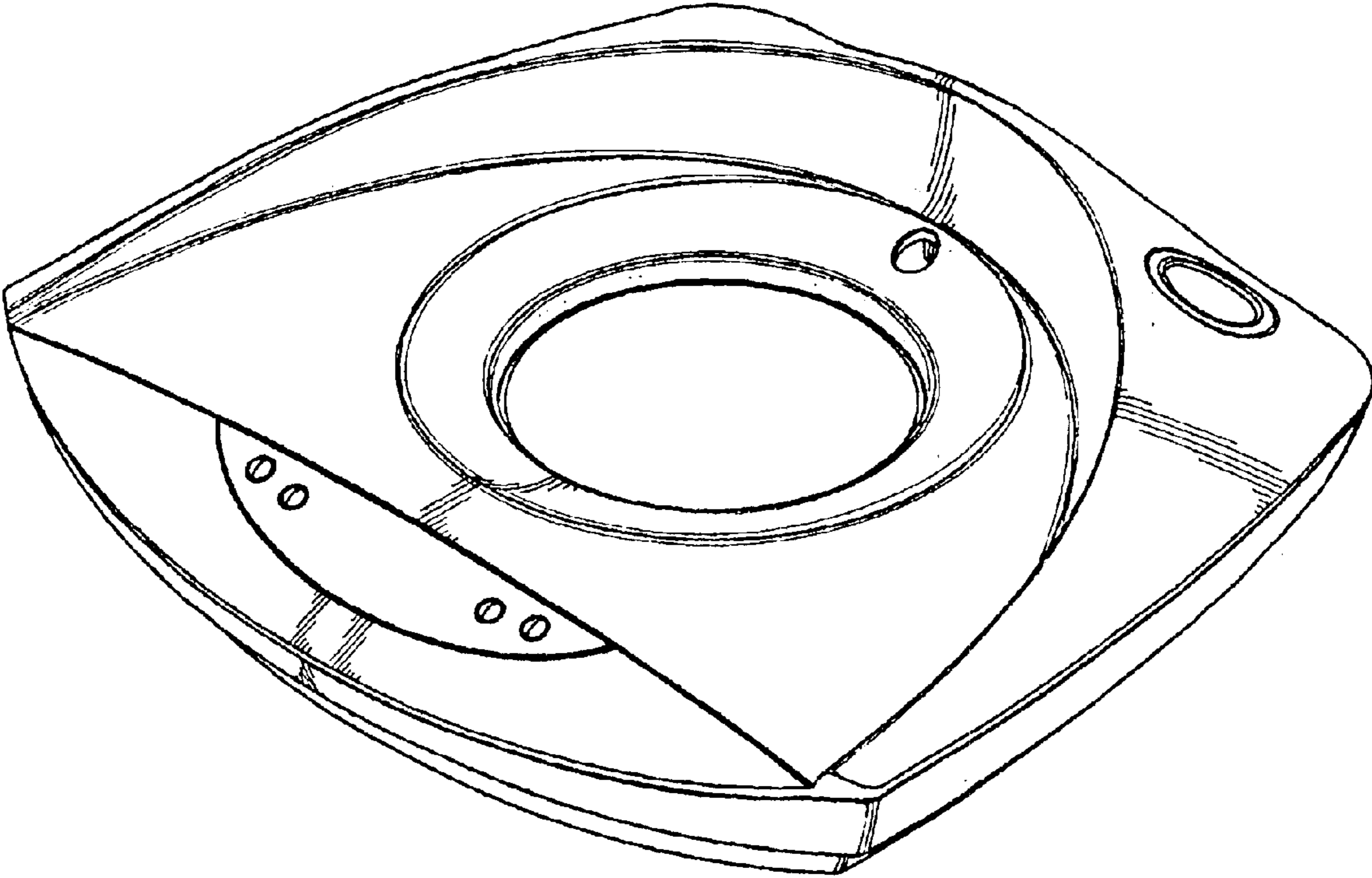


FIG. 1

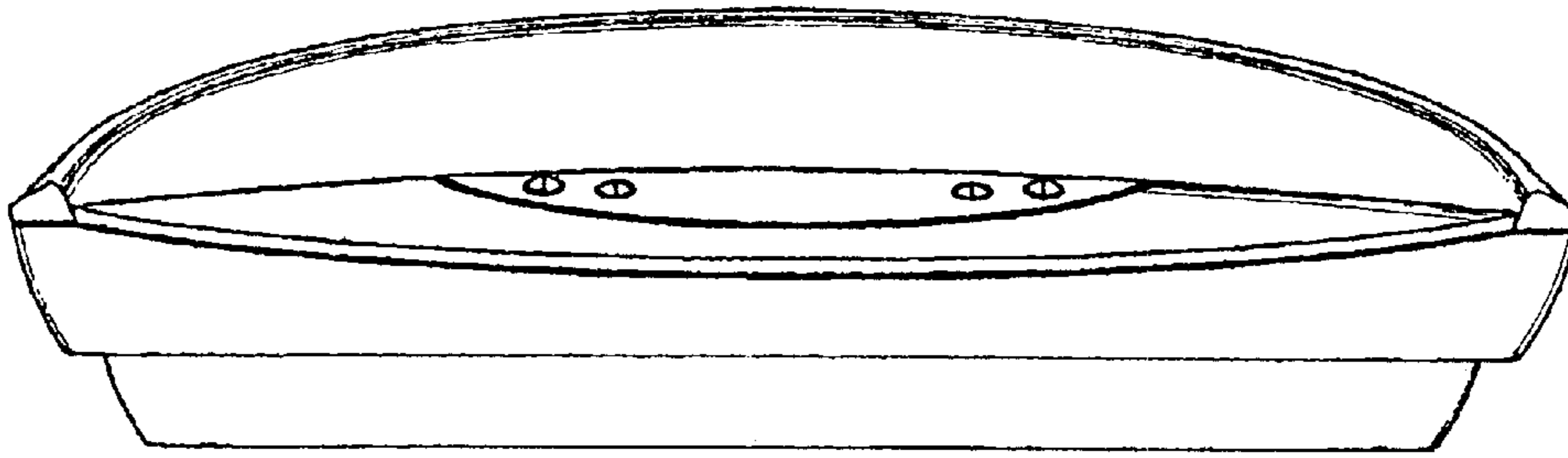


FIG. 2

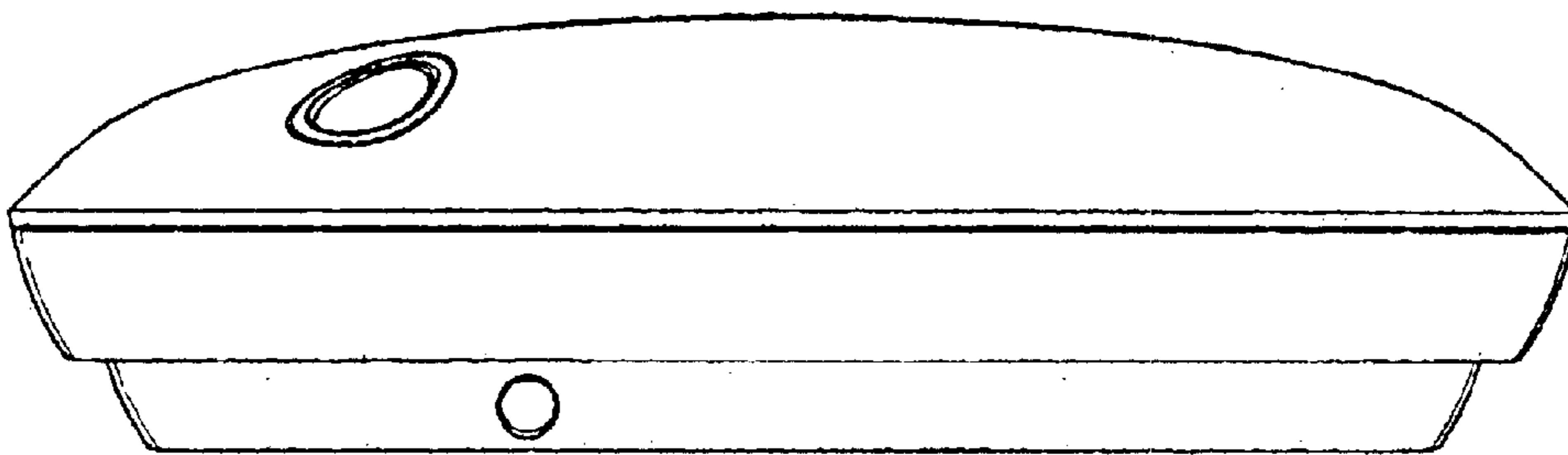


FIG. 3

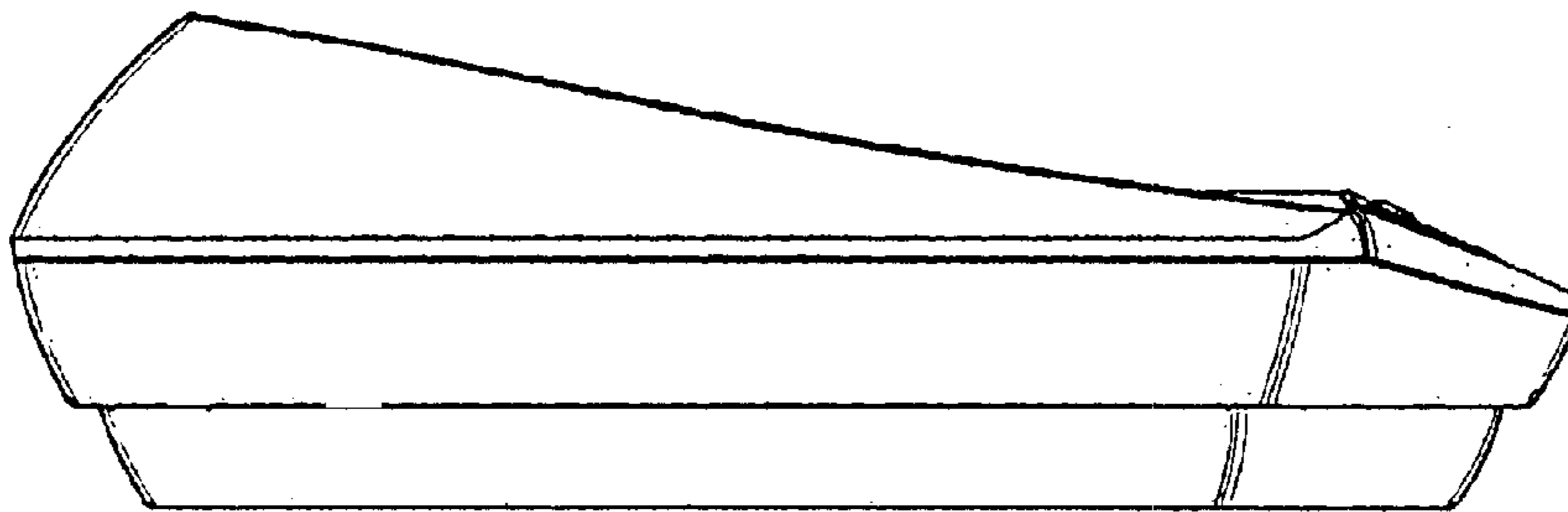


FIG. 4

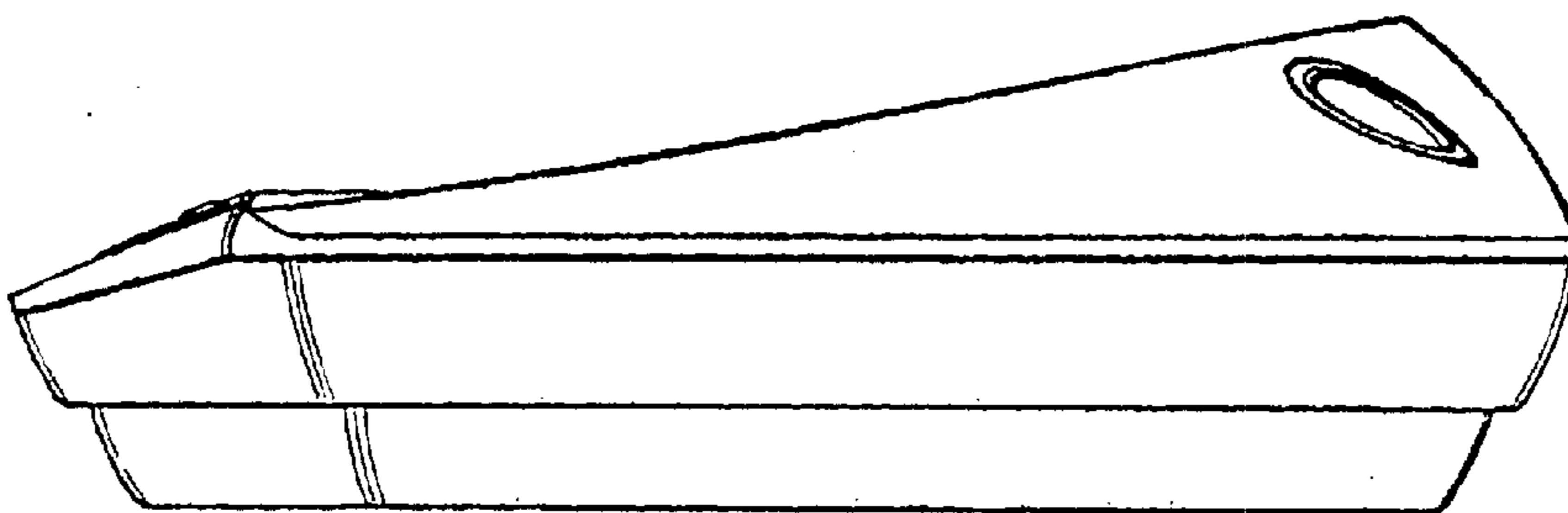


FIG. 5

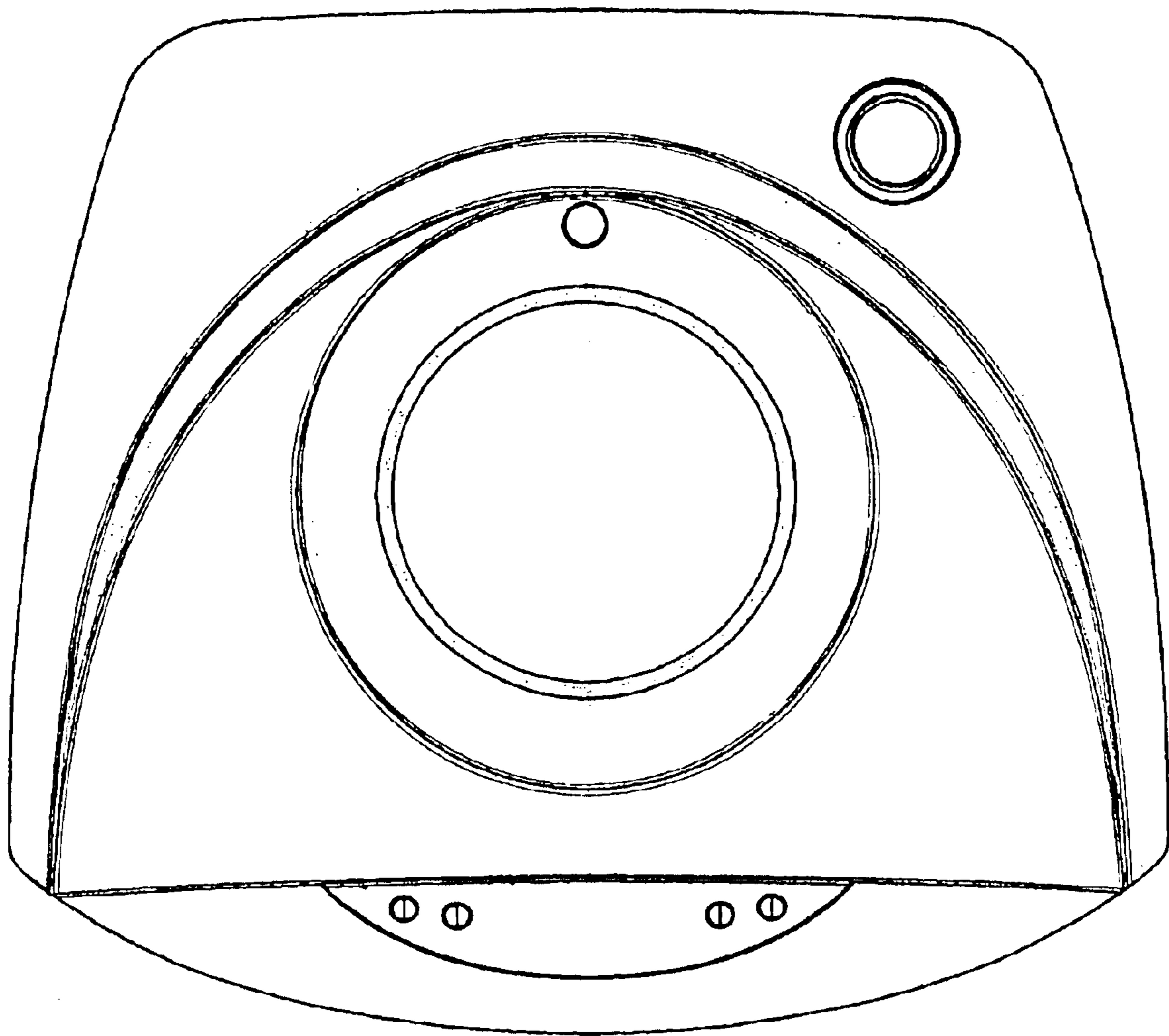


FIG. 6

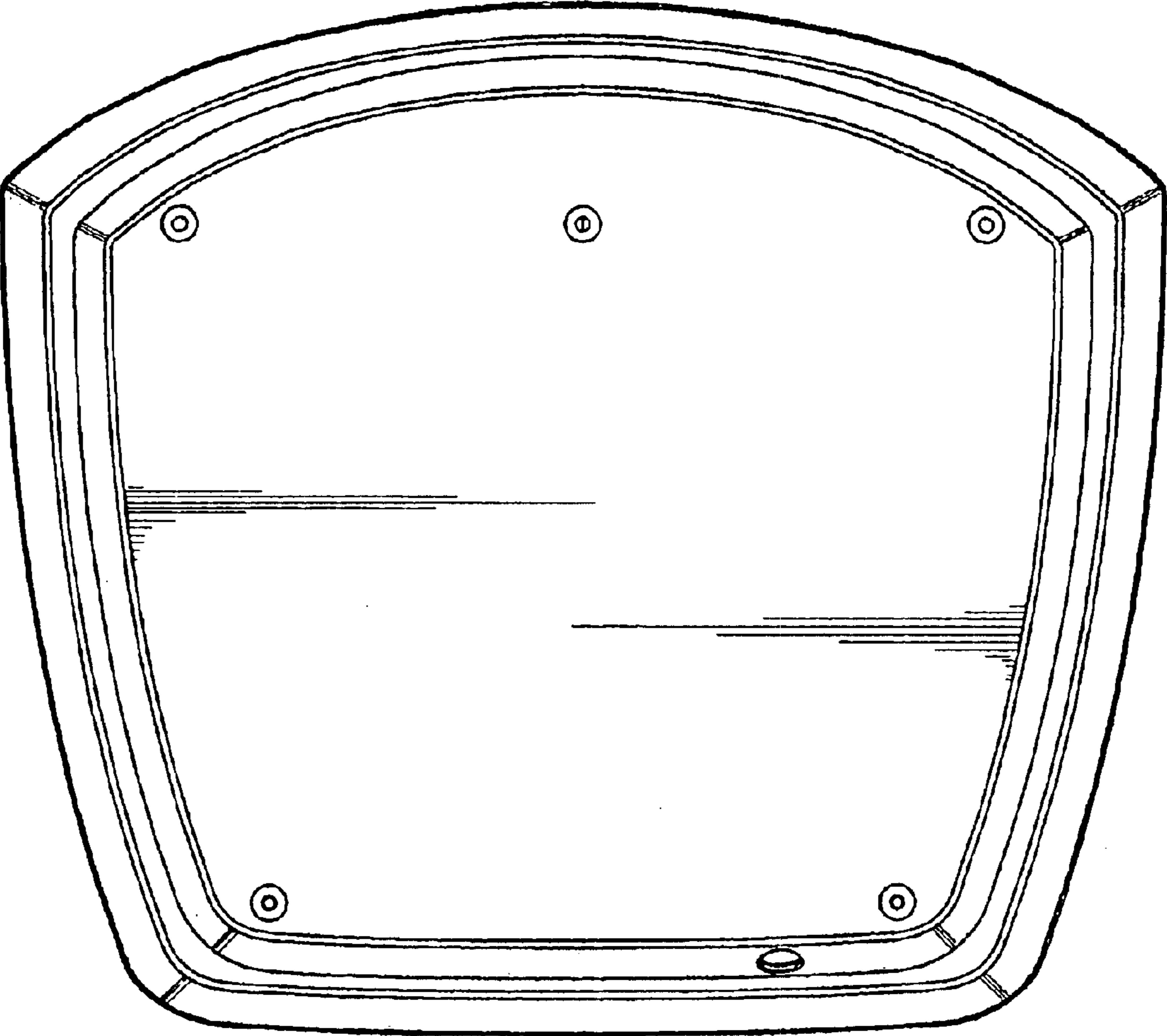


FIG. 7