



US00D511648S

(12) **United States Design Patent** (10) **Patent No.:** **US D511,648 S**  
**Henderson** (45) **Date of Patent:** **\*\* Nov. 22, 2005**

(54) **TEA KETTLE HANDLES AND SPOUT COVER**

(75) Inventor: **Scott A. Henderson**, Brooklyn, NY (US)

(73) Assignee: **Lentrade, Inc.**, Houston, TX (US)

(\*\*) Term: **14 Years**

(21) Appl. No.: **29/222,134**

(22) Filed: **Jan. 26, 2005**

(51) **LOC (8) Cl.** ..... **07-99**

(52) **U.S. Cl.** ..... **D7/397; D7/398; D7/394; D7/322**

(58) **Field of Search** ..... D7/300, 322, 321, D7/312, 317, 318, 319, 397, 398, 394; 222/472, 469, 471, 482; 220/318, 912, 212.5; 141/79; 116/137 R; 99/344

(56) **References Cited**

**U.S. PATENT DOCUMENTS**

|             |   |         |                |       |         |
|-------------|---|---------|----------------|-------|---------|
| D95,621 S   | * | 5/1935  | Zettler        | ..... | D7/321  |
| D282,810 S  | * | 3/1986  | Urich          | ..... | D7/322  |
| D336,006 S  | * | 6/1993  | Lebowitz       | ..... | D7/322  |
| D336,013 S  | * | 6/1993  | Lebowitz       | ..... | D7/322  |
| D338,799 S  | * | 8/1993  | Lebowitz       | ..... | D7/322  |
| D342,640 S  | * | 12/1993 | Lebowitz       | ..... | D7/322  |
| 5,339,978 A | * | 8/1994  | Coppier        | ..... | 220/318 |
| D352,419 S  | * | 11/1994 | Lin            | ..... | D7/322  |
| 5,490,616 A | * | 2/1996  | Stowell et al. | ..... | 222/472 |
| D380,337 S  | * | 7/1997  | Lien           | ..... | D7/322  |
| D381,859 S  | * | 8/1997  | Joergensen     | ..... | D7/322  |
| D396,988 S  | * | 8/1998  | Lien           | ..... | D7/322  |

|              |   |         |                |       |         |
|--------------|---|---------|----------------|-------|---------|
| 6,006,959 A  | * | 12/1999 | Naden et al.   | ..... | 222/469 |
| D442,015 S   | * | 5/2001  | Doret, Jr.     | ..... | D7/322  |
| D448,963 S   | * | 10/2001 | Shim           | ..... | D7/322  |
| D459,937 S   | * | 7/2002  | Thurlow et al. | ..... | D7/322  |
| 6,540,120 B2 | * | 4/2003  | Lebowitz       | ..... | 222/471 |
| D478,243 S   | * | 8/2003  | Lebowitz       | ..... | D7/322  |
| D478,768 S   |   | 8/2003  | Belton         | ..... | D7/322  |
| D497,511 S   | * | 10/2004 | Lebowitz       | ..... | D7/322  |
| D501,752 S   | * | 2/2005  | Smaldone       | ..... | D7/322  |
| D502,356 S   | * | 3/2005  | Smaldone       | ..... | D7/322  |

\* cited by examiner

*Primary Examiner*—M. N. Pandozzi

(74) *Attorney, Agent, or Firm*—Streets & Steele; Frank J. Campigotto; Patrick K. Steele

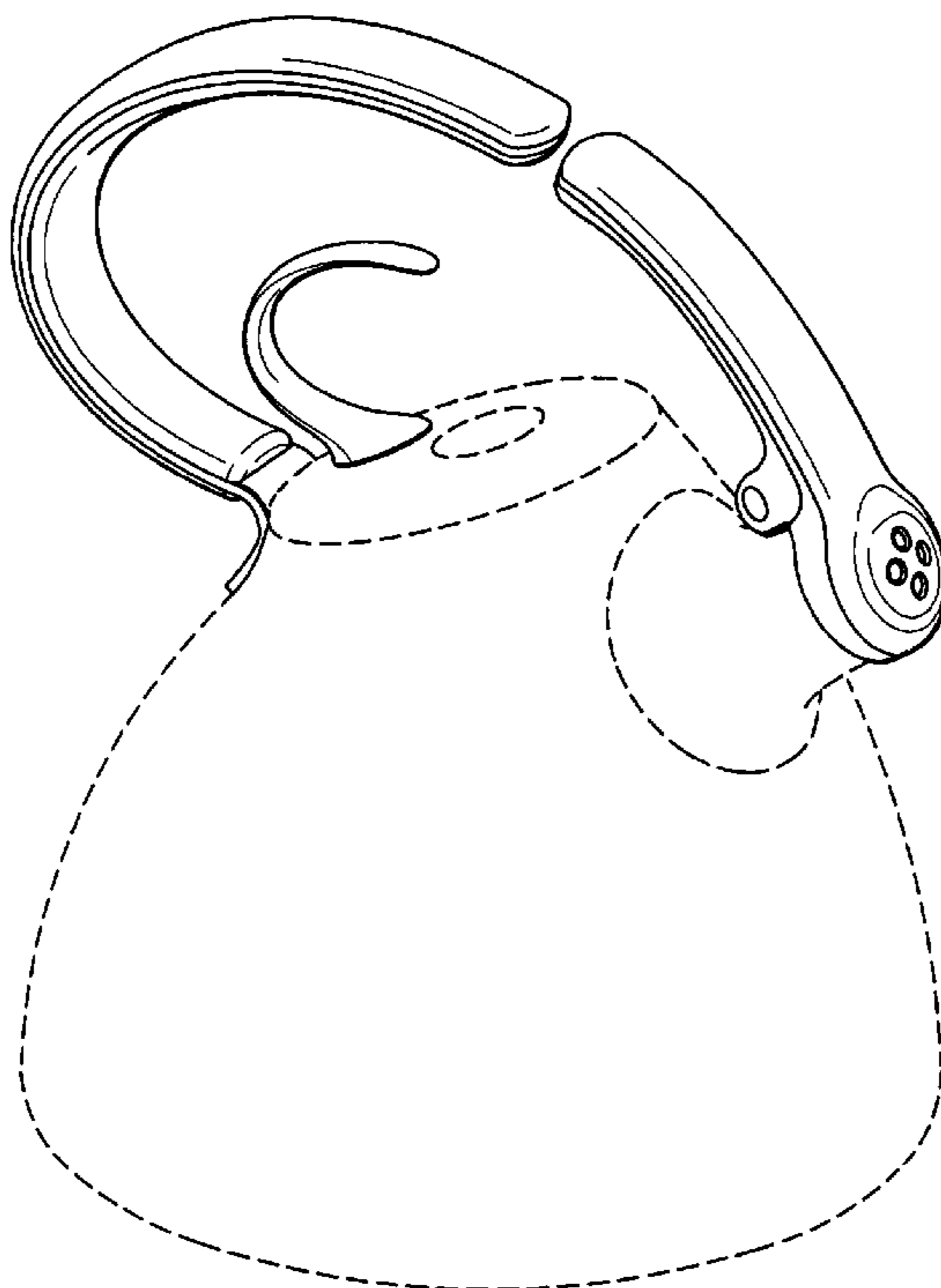
(57) **CLAIM**

The ornamental design for tea kettle handles and spout cover, as shown and described.

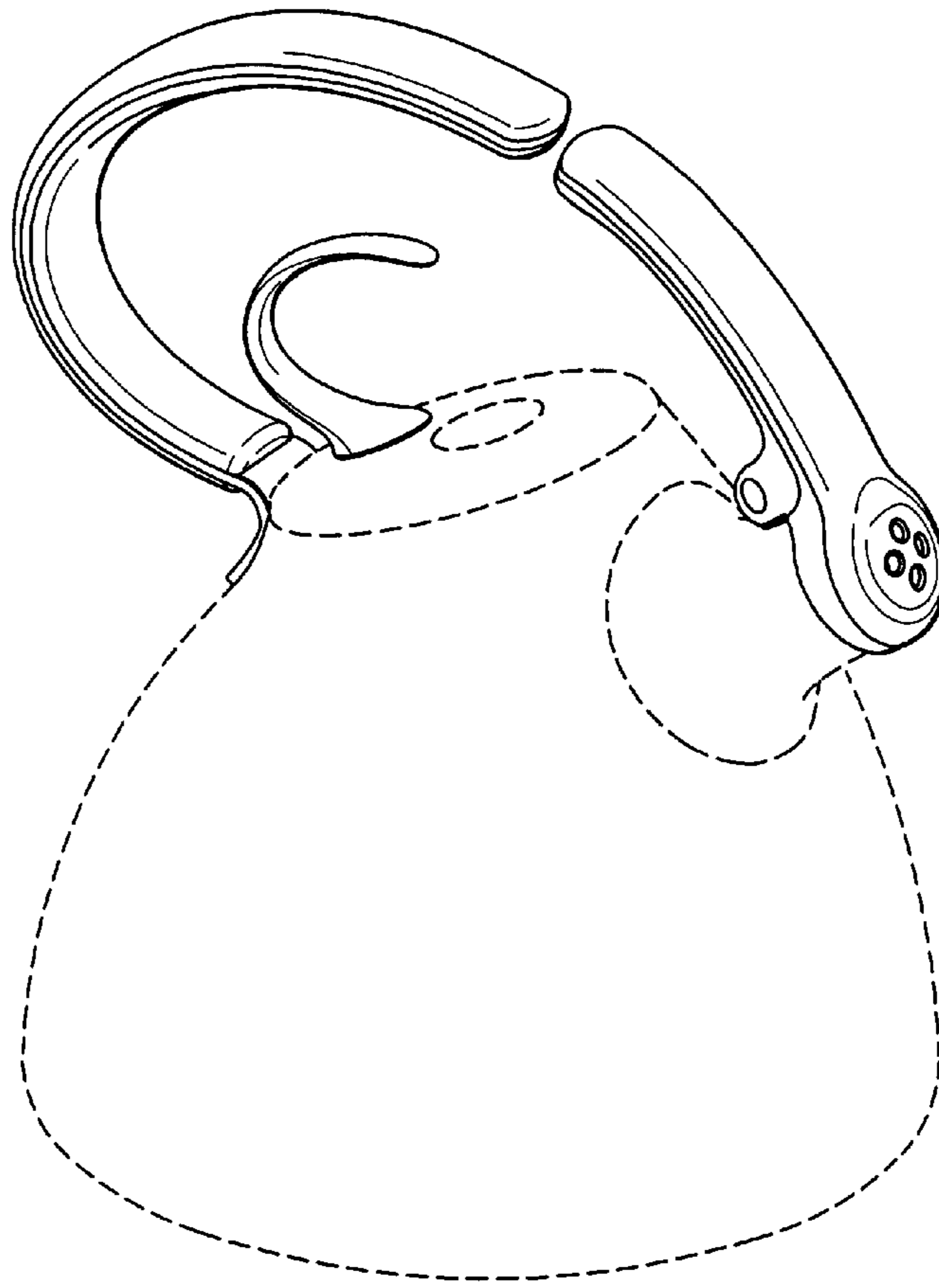
**DESCRIPTION**

FIG. 1 is a front perspective view of tea kettle handles and spout cover, showing my new design; FIG. 2 is a front elevational view thereof; FIG. 3 is a rear perspective view thereof; FIG. 4 is a rear elevational view thereof; FIG. 5 is a bottom perspective view thereof; FIG. 6 is a bottom plan view thereof; FIG. 7 is a top plan view thereof; and, FIG. 8 is a side elevational view thereof, the opposite side of which is an identical mirror image. The dotted lines shown in the drawings are environmental only and form no part of the claimed design.

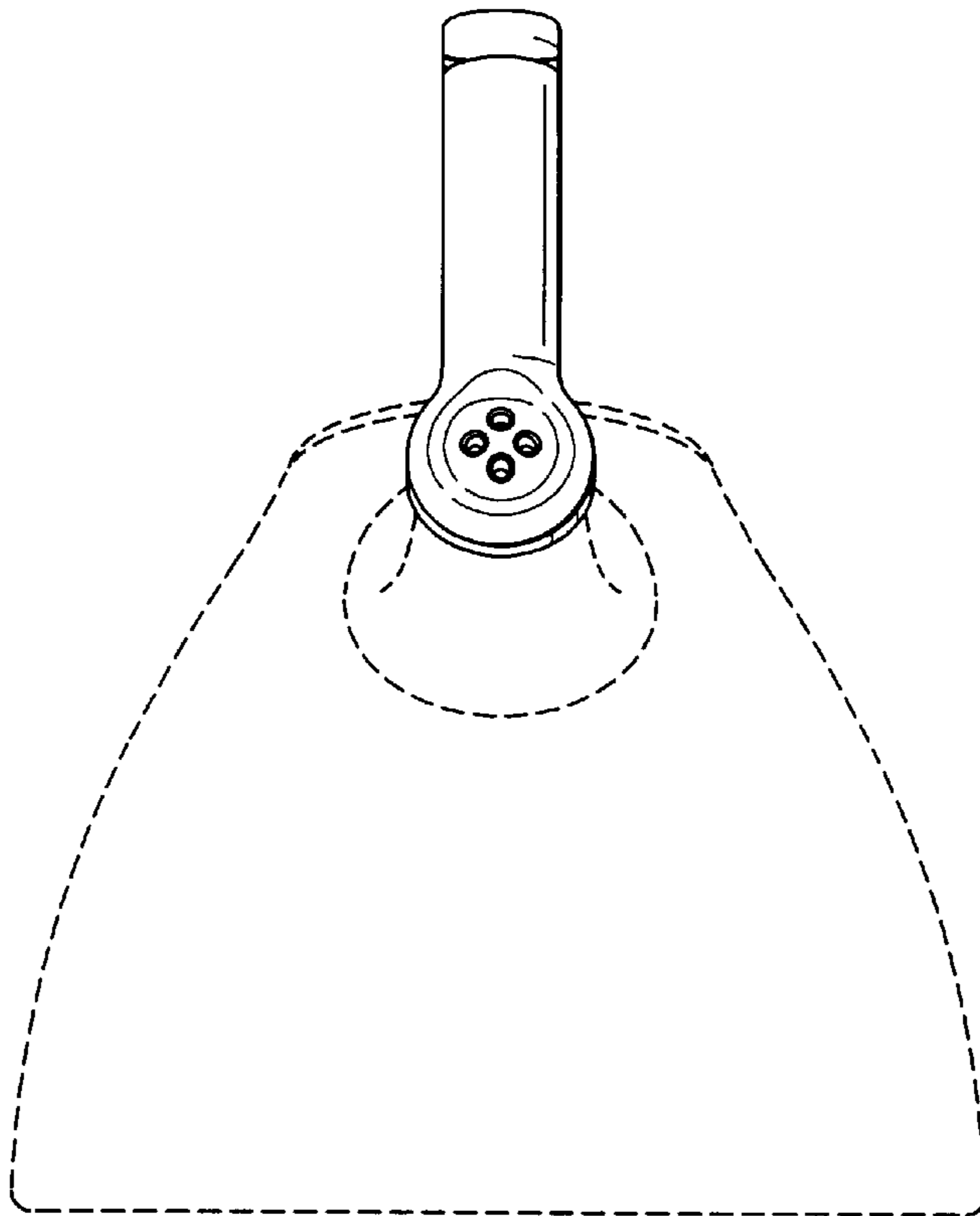
**1 Claim, 4 Drawing Sheets**



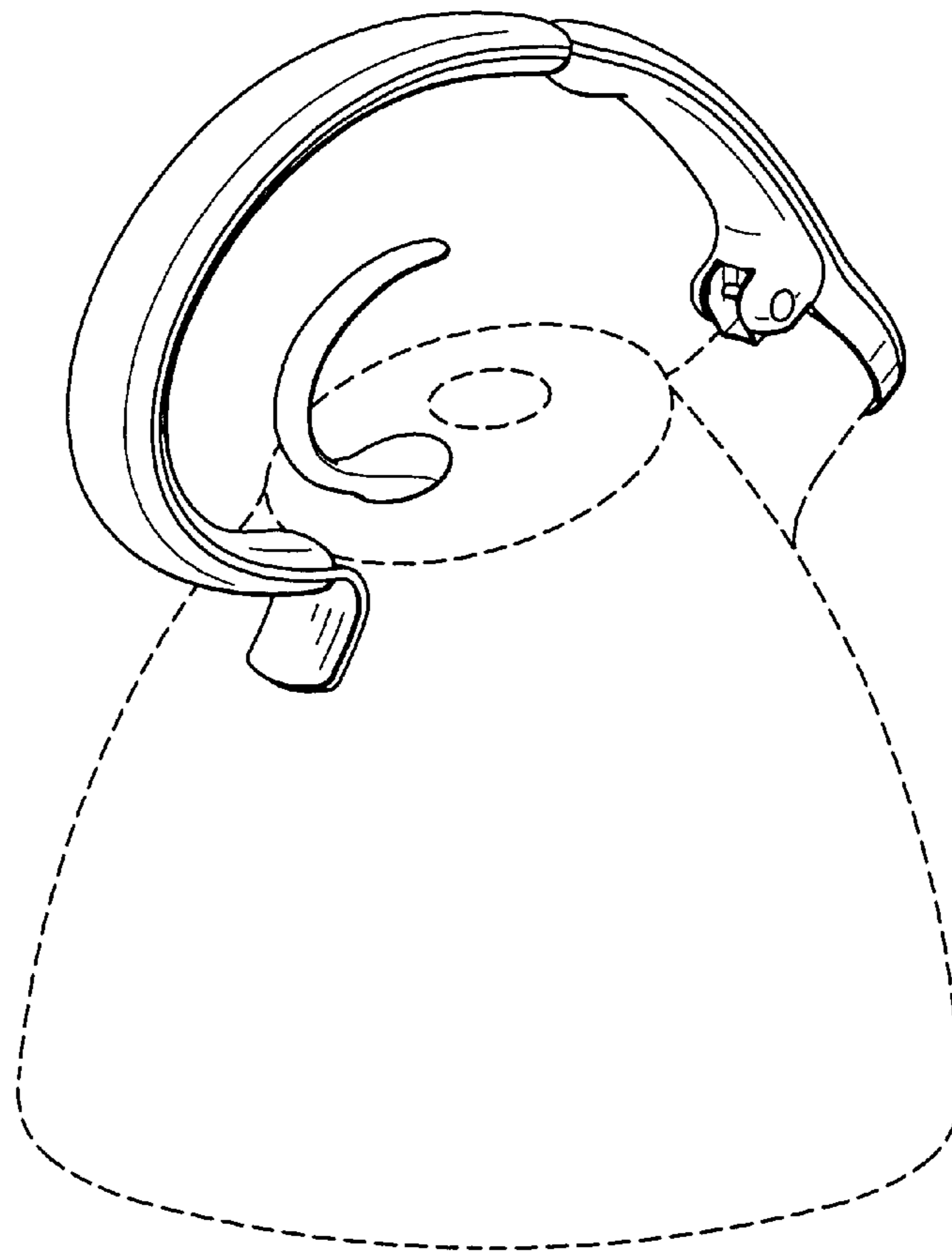
*Fig. 1*



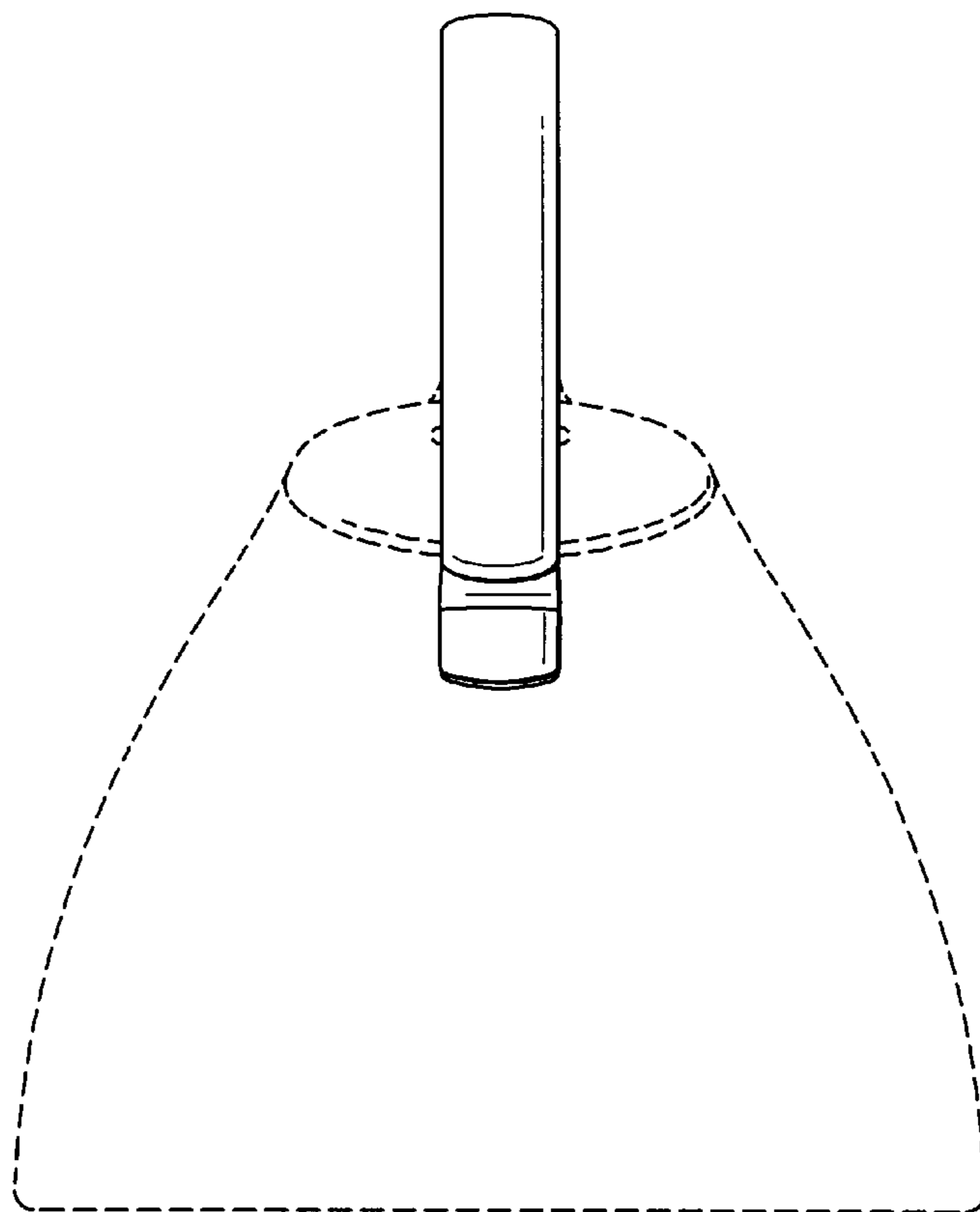
*Fig. 2*



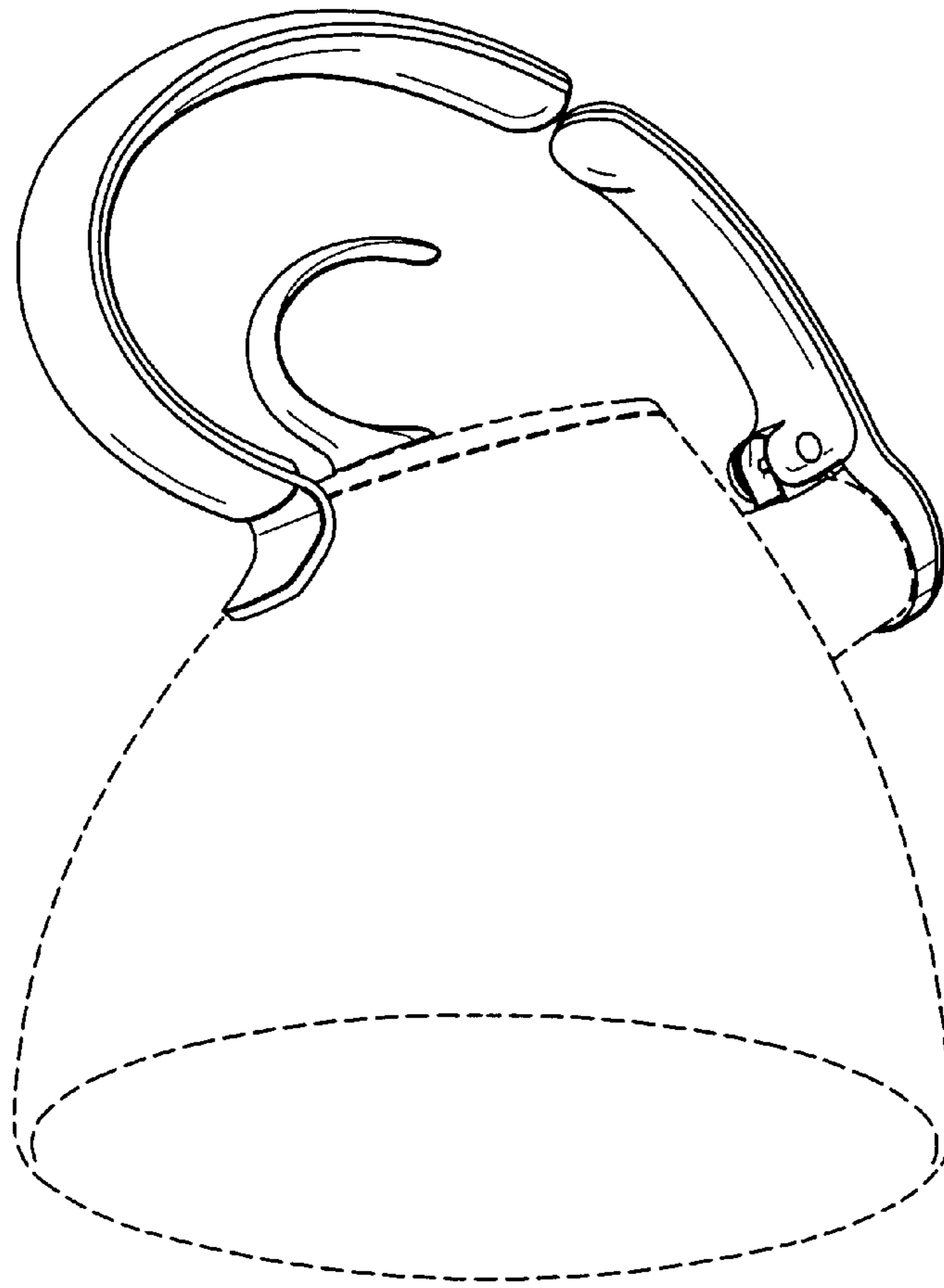
*Fig. 3*



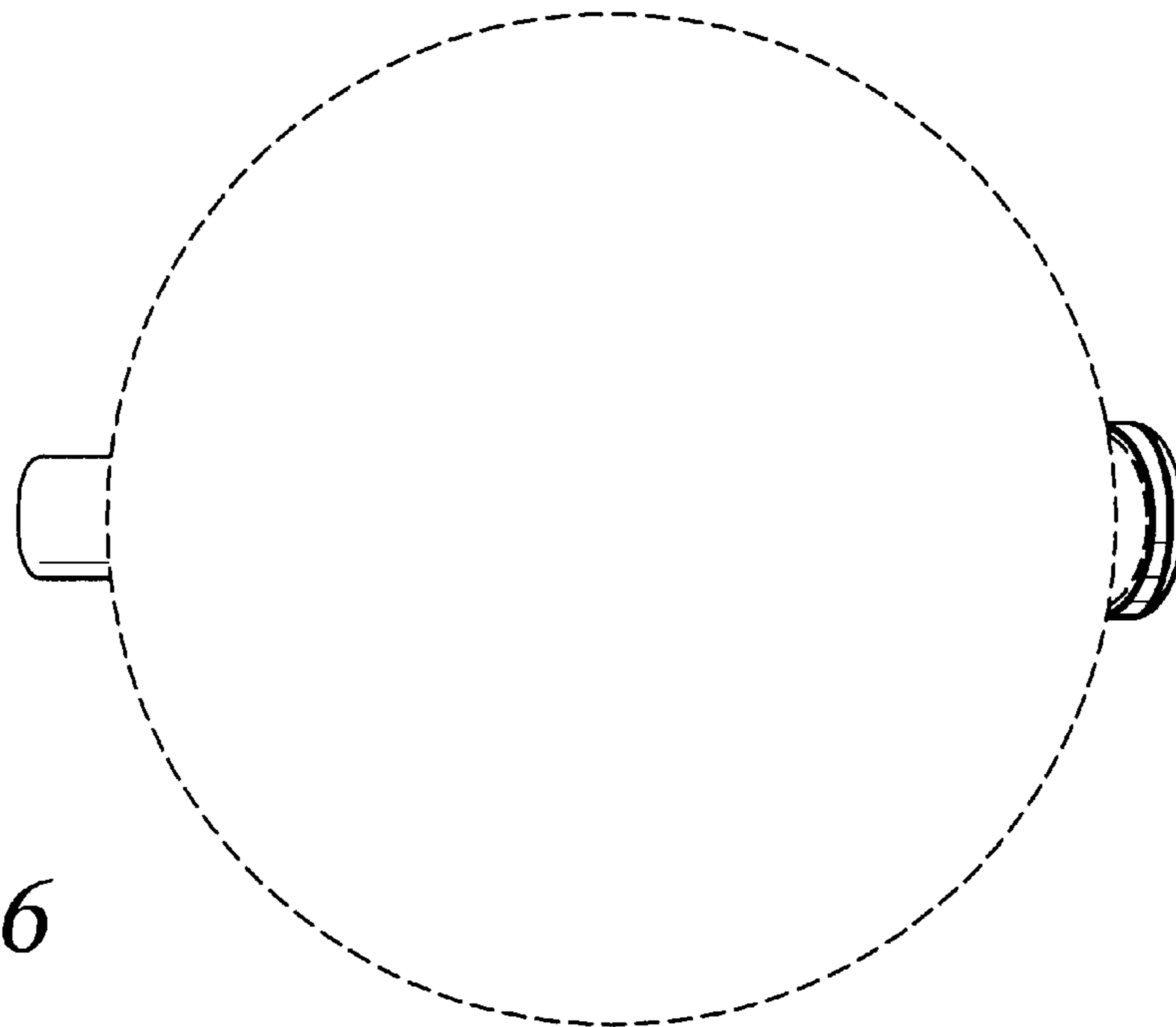
*Fig. 4*

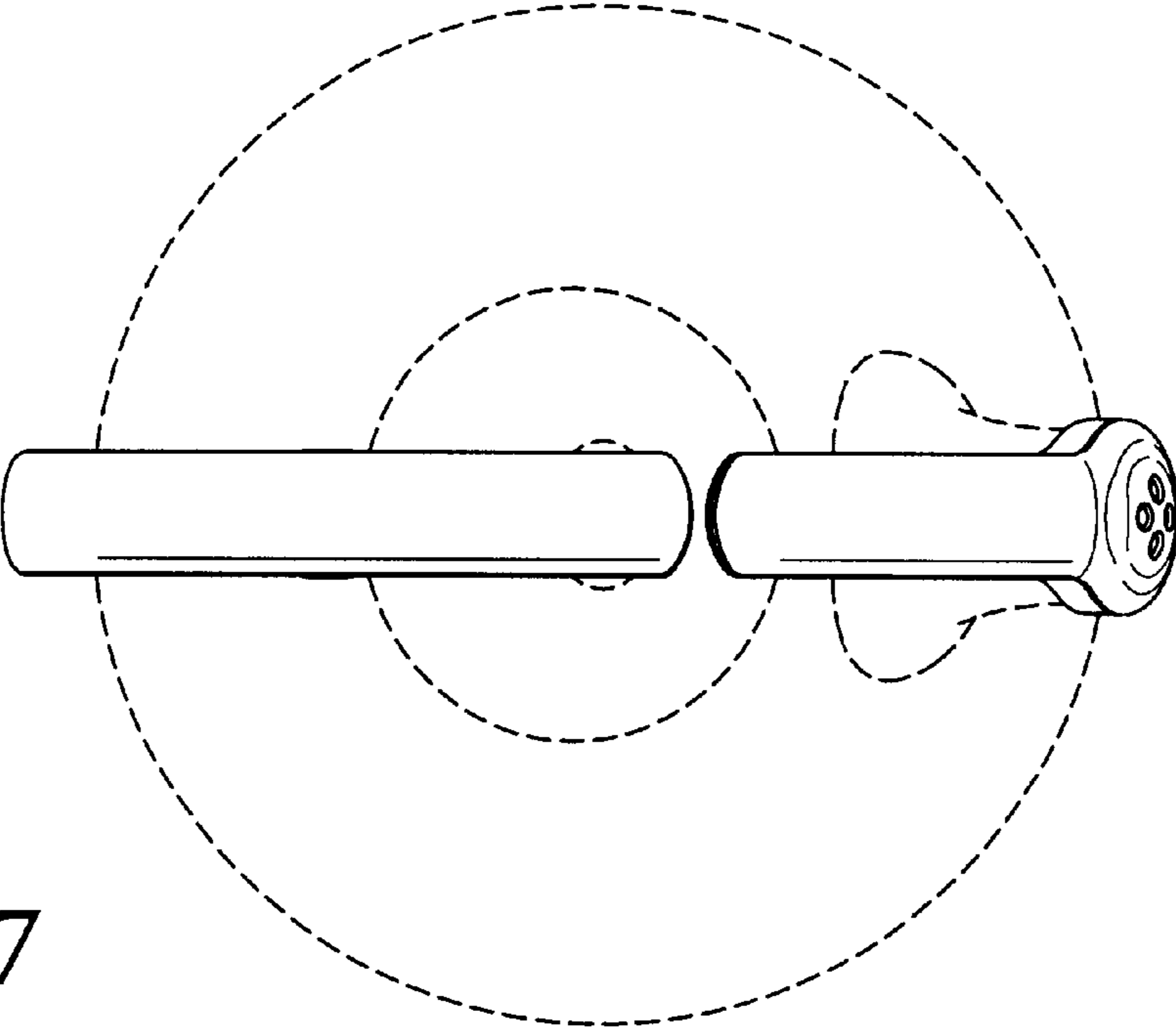


*Fig. 5*

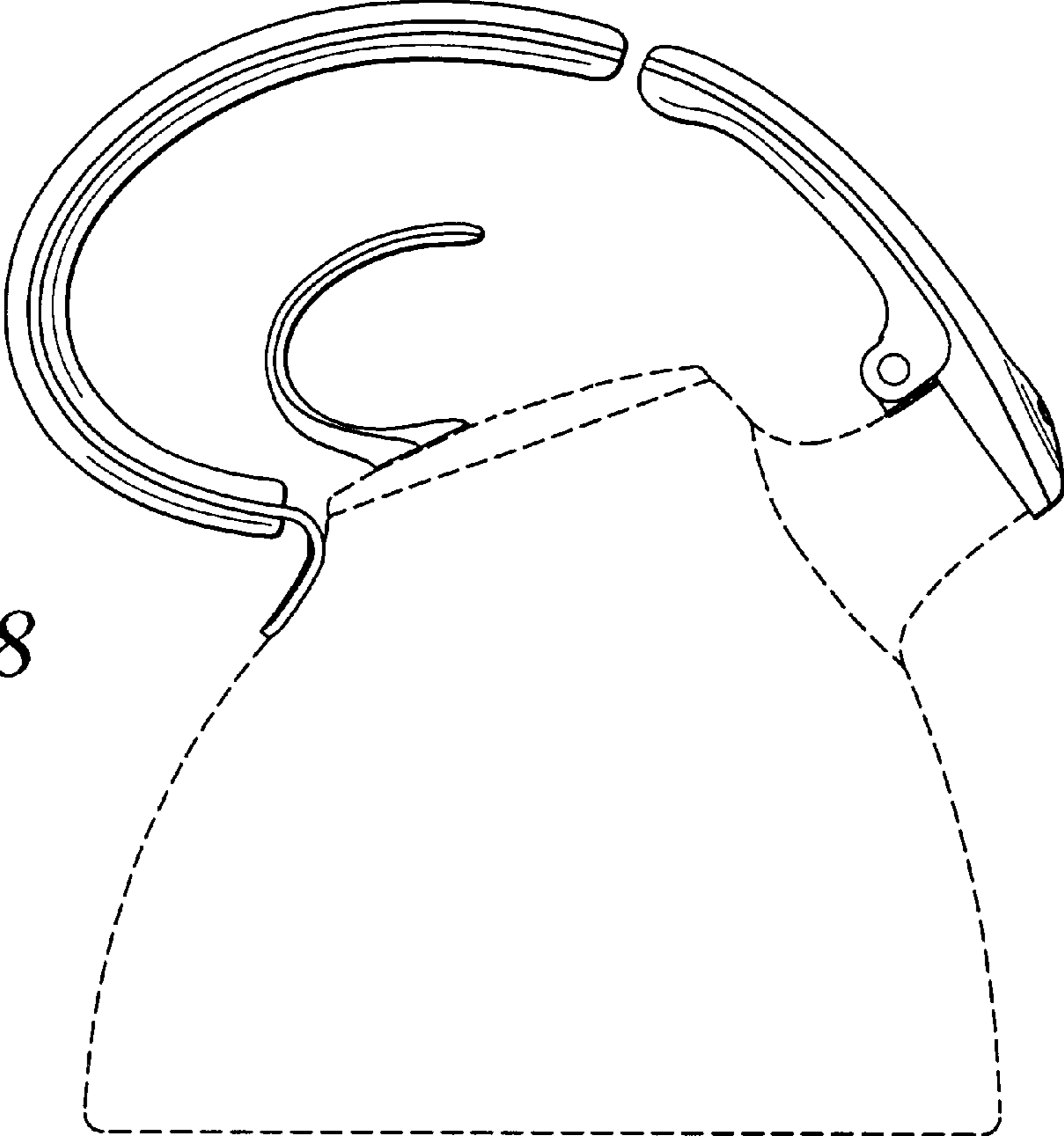


*Fig. 6*





*Fig. 7*



*Fig. 8*