



US00D511647S

(12) **United States Design Patent** (10) **Patent No.:** **US D511,647 S**
Smith et al. (45) **Date of Patent:** **** Nov. 22, 2005**

(54) **SHOULDER OF A DISPOSABLE CUP** 2,013,243 A 9/1935 Landon

(Continued)

(75) Inventors: **Stephen Alan Smith**, Naperville, IL (US); **Kevin Ray Smith**, Round Lake Beach, IL (US); **Warren Giles Wiedmeyer**, Slinger, WI (US); **Kimberly Vaile Healy**, Chicago, IL (US); **Randy Golden**, Ada, OK (US); **Rudy DesChamps**, Mahomet, IL (US); **Irshad Khan**, Round Lake Beach, IL (US)

FOREIGN PATENT DOCUMENTS

DE	1 175 564	8/1964
DE	1 216 139	5/1966
DE	44 19 161 A1	12/1995
DE	298 02 377 U1	6/1998
EP	0 371 918	6/1990
FR	2.207.836	6/1974
GB	395996	7/1933
GB	1096451	12/1967
GB	1 251 595	10/1971
GB	1 461 394	1/1977
GB	2 352 612	2/2001

(73) Assignee: **Solo Cup Company**, Highland Park, IL (US)

(**) Term: **14 Years**

OTHER PUBLICATIONS

(21) Appl. No.: **29/223,792**

Communication from the European Patent Office transmitting an International Search Report, mailed Nov. 19, 2004, for International Application No. PCT/US2004/009357.

(22) Filed: **Feb. 18, 2005**

Related U.S. Application Data

Primary Examiner—M. N. Pandozzi

(63) Continuation of application No. 29/194,893, filed on Dec. 2, 2003, now Pat. No. Des. 504,593, which is a continuation-in-part of application No. 10/676,807, filed on Oct. 1, 2003.

(74) *Attorney, Agent, or Firm*—Wallenstein Wagner & Rockey, Ltd.

(51) **LOC (8) Cl.** **07-99**

(57) **CLAIM**

(52) **U.S. Cl.** **D7/396.2**; D7/396.6

We claim the ornamental Design for a shoulder of a disposable cup, as shown and described.

(58) **Field of Search** D7/532, 531, 523, D7/507, 509, 392.1, 396.6, 396.2; D9/429, 556, 428, 555; 222/129, 465.1; 426/394, 86; 428/36.4; 206/519, 520, 217; 366/341; 215/373, 384, 380, 382; 220/705, 676, 738, 669, 703, 592.16, 592.17, 516, 675, 484

DESCRIPTION

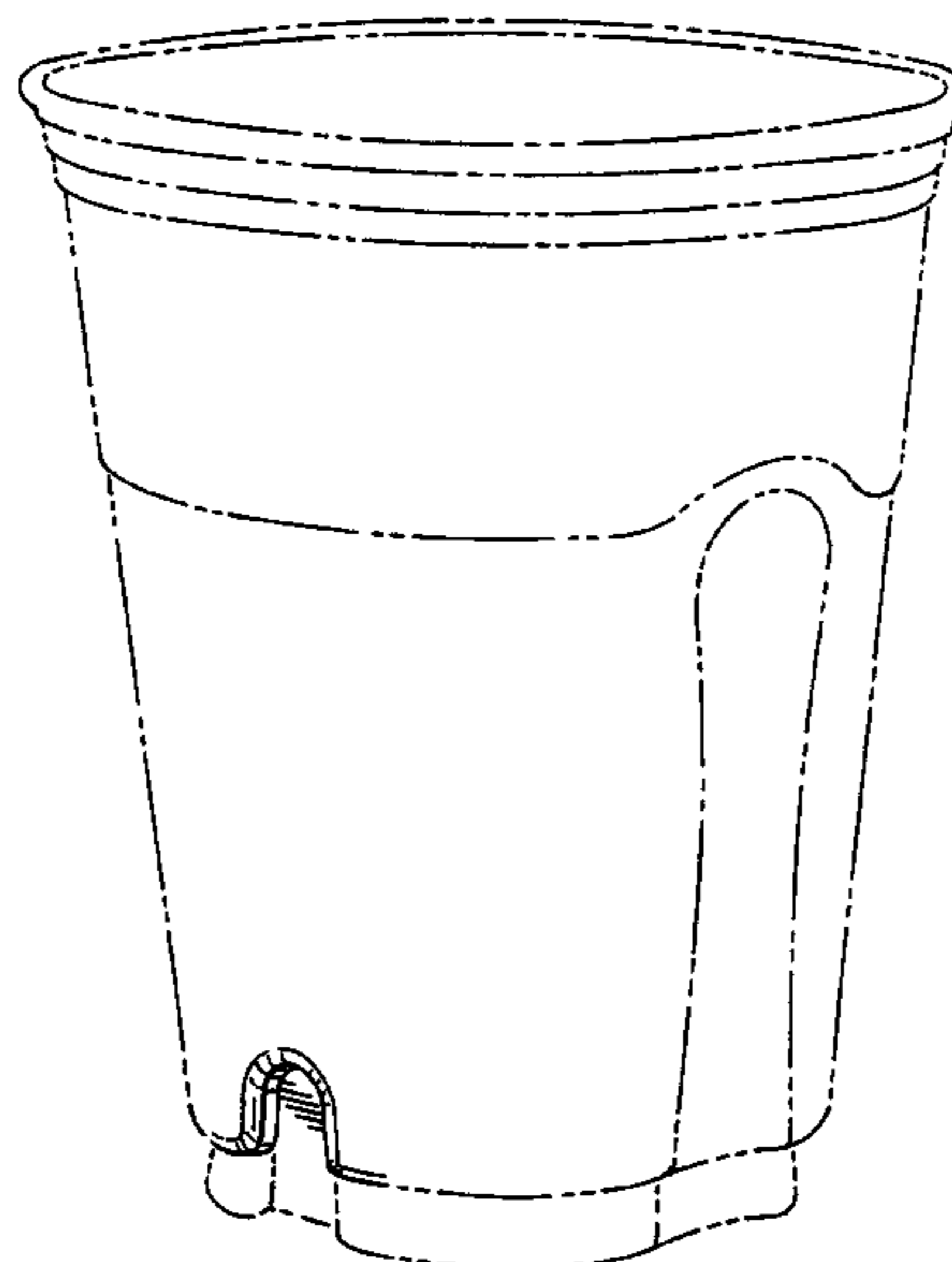
FIG. 1 is a perspective view of a shoulder of a disposable cup showing our new design; FIG. 2 is a front elevation view of the cup of FIG. 1; FIG. 3 is a side elevation view of the cup of FIG. 1, with an opposite view being identical thereto; and, FIG. 4 is a bottom plan view of the cup of FIG. 1. The broken lines in FIGS. 1 through 4 are for illustrative purposes only and form no part of the claimed design.

(56) **References Cited**

U.S. PATENT DOCUMENTS

703,125 A 6/1902 Emrich
1,636,174 A 7/1927 Dolan et al.

1 Claim, 2 Drawing Sheets



US D511,647 S

Page 2

U.S. PATENT DOCUMENTS

2,629,534 A	2/1953	Reynolds		4,134,492 A	1/1979	Lucas	
2,745,586 A	5/1956	Thoma		4,245,685 A	1/1981	Nemitz et al.	
2,905,350 A	9/1959	Edwards		4,420,081 A	12/1983	Dart	
3,009,603 A	11/1961	Stockdale		D272,794 S	2/1984	Dart	
3,085,730 A	4/1963	Fibish		4,548,348 A	10/1985	Clements	
3,091,360 A *	5/1963	Edwards	206/520	4,578,296 A *	3/1986	Miyazaki et al.	428/36.4
3,094,240 A *	6/1963	Wanderer	206/519	D285,032 S	8/1986	Alonzo	
D197,094 S *	12/1963	Eicholz	D9/429	5,082,135 A	1/1992	DeCoster	
D197,313 S	1/1964	Wanderer		D328,014 S	7/1992	DeCoster et al.	
3,126,139 A	3/1964	Schechter		D346,308 S	4/1994	Cautereels et al.	
D198,139 S	5/1964	Edwards		5,333,750 A *	8/1994	McKinnon	220/484
3,131,845 A	5/1964	Sherlock et al.		5,415,339 A	5/1995	Howard	
3,139,213 A	6/1964	Edwards		5,423,160 A	6/1995	Roséen	
D199,336 S	10/1964	Wanderer		D368,234 S	3/1996	Dickinson et al.	
D199,579 S	11/1964	Davis		5,634,569 A	6/1997	DeCoster	
3,288,340 A	11/1966	Shapiro et al.		5,678,726 A	10/1997	Porteous	
3,342,370 A	9/1967	Johnson		D387,619 S	12/1997	Gross et al.	
D208,872 S	10/1967	Davis		D399,099 S	10/1998	Cousins	
D210,767 S	4/1968	Anglada		D410,174 S	5/1999	Sheu	
3,375,954 A *	4/1968	Honkanen et al.	206/520	D413,067 S	8/1999	Haley	
D211,514 S	6/1968	Amberg		D416,757 S	11/1999	Ginuntoli	
3,393,826 A *	7/1968	Brown	206/520	6,109,518 A	8/2000	Mueller et al.	
3,397,867 A	8/1968	van't Hoff		D436,295 S	1/2001	Furman et al.	
D212,279 S *	9/1968	Bennett	D7/532	D441,252 S	5/2001	Gitschlag	
D213,094 S *	1/1969	Davis	D7/531	D443,475 S	6/2001	Miura	
D213,173 S	1/1969	Lockhart et al.		D444,672 S	7/2001	Miura	
D213,174 S *	1/1969	Davis	D7/531	6,264,068 B1	7/2001	Ours et al.	
3,437,253 A *	4/1969	Davis	229/400	D446,684 S	8/2001	Price	
D220,031 S	3/1971	Donovan		D446,687 S	8/2001	Furman et al.	
D223,999 S	6/1972	Klose		D448,976 S	10/2001	McDonough et al.	
D228,125 S *	8/1973	Weiss	D9/429	6,554,154 B1	4/2003	Chauhan et al.	
3,951,266 A	4/1976	Brewer		D499,934 S *	12/2004	Smith et al.	D7/396.2
4,049,187 A	9/1977	Florian		D499,935 S *	12/2004	Smith et al.	D7/396.2
4,052,037 A	10/1977	Mair et al.		2003/0157224 A1	8/2003	Westerhof et al.	
4,061,782 A	12/1977	Baxter		2004/0045974 A1 *	3/2004	Gtruber et al.	220/669
4,102,454 A	7/1978	Karevaara					

* cited by examiner

FIG. 1

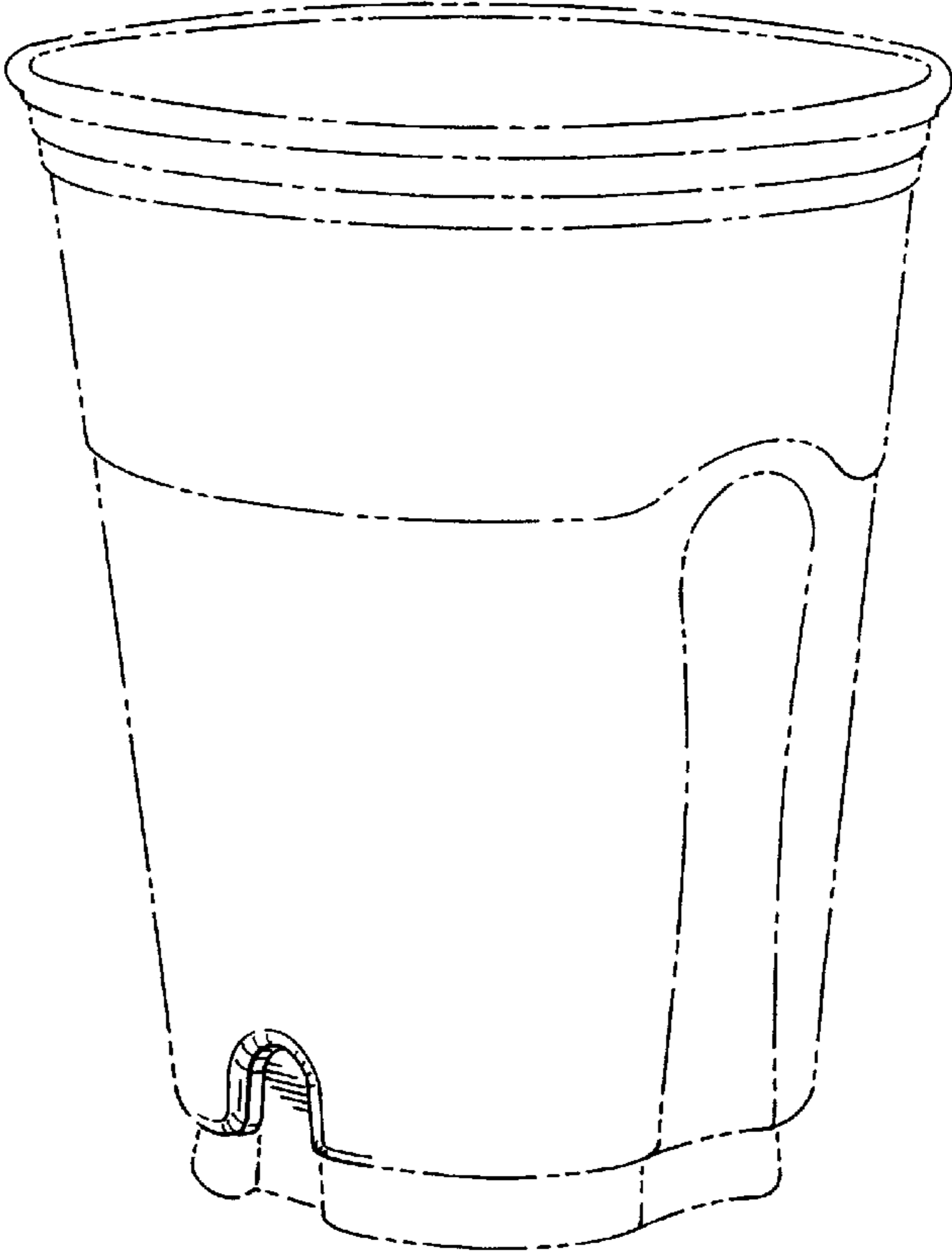


FIG. 2

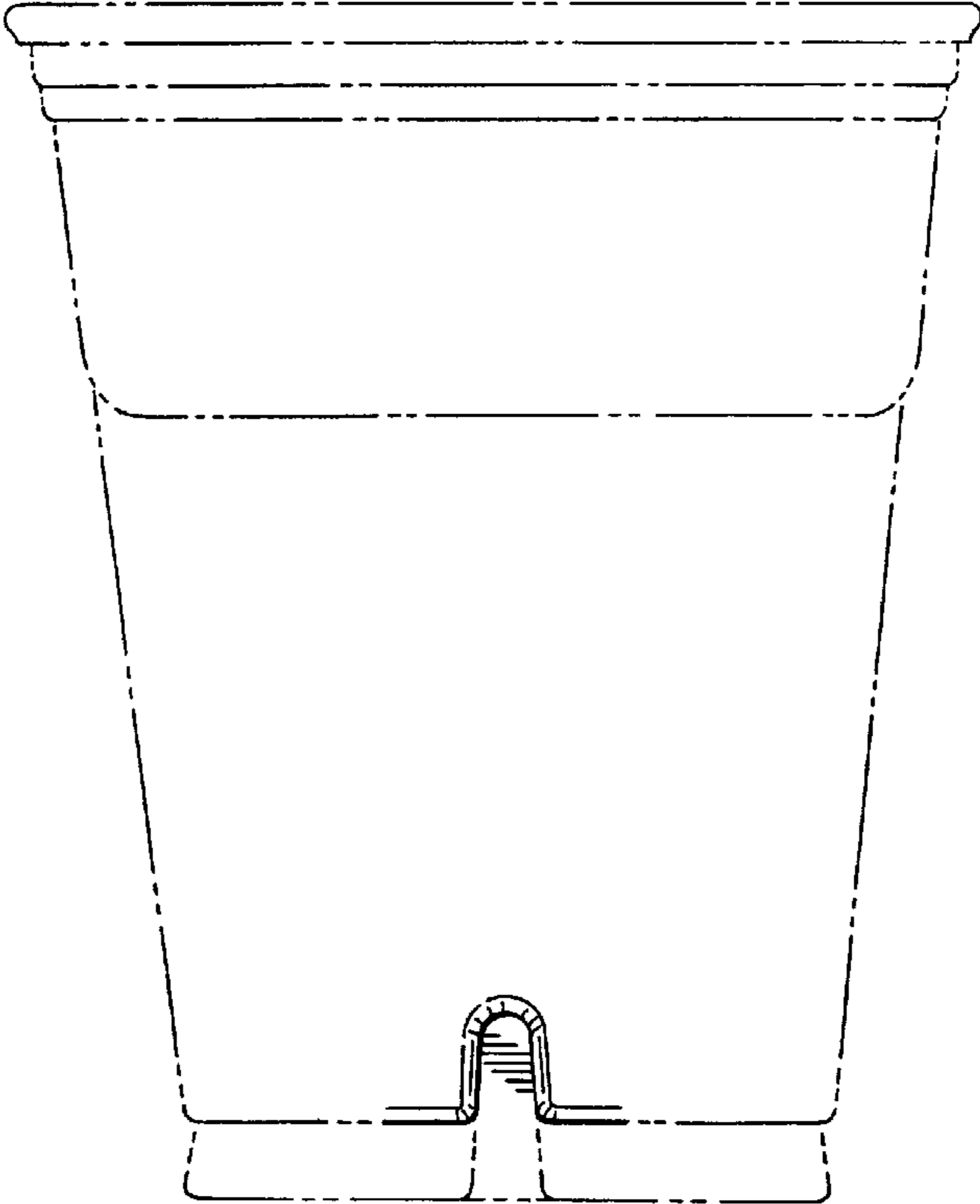


FIG. 3

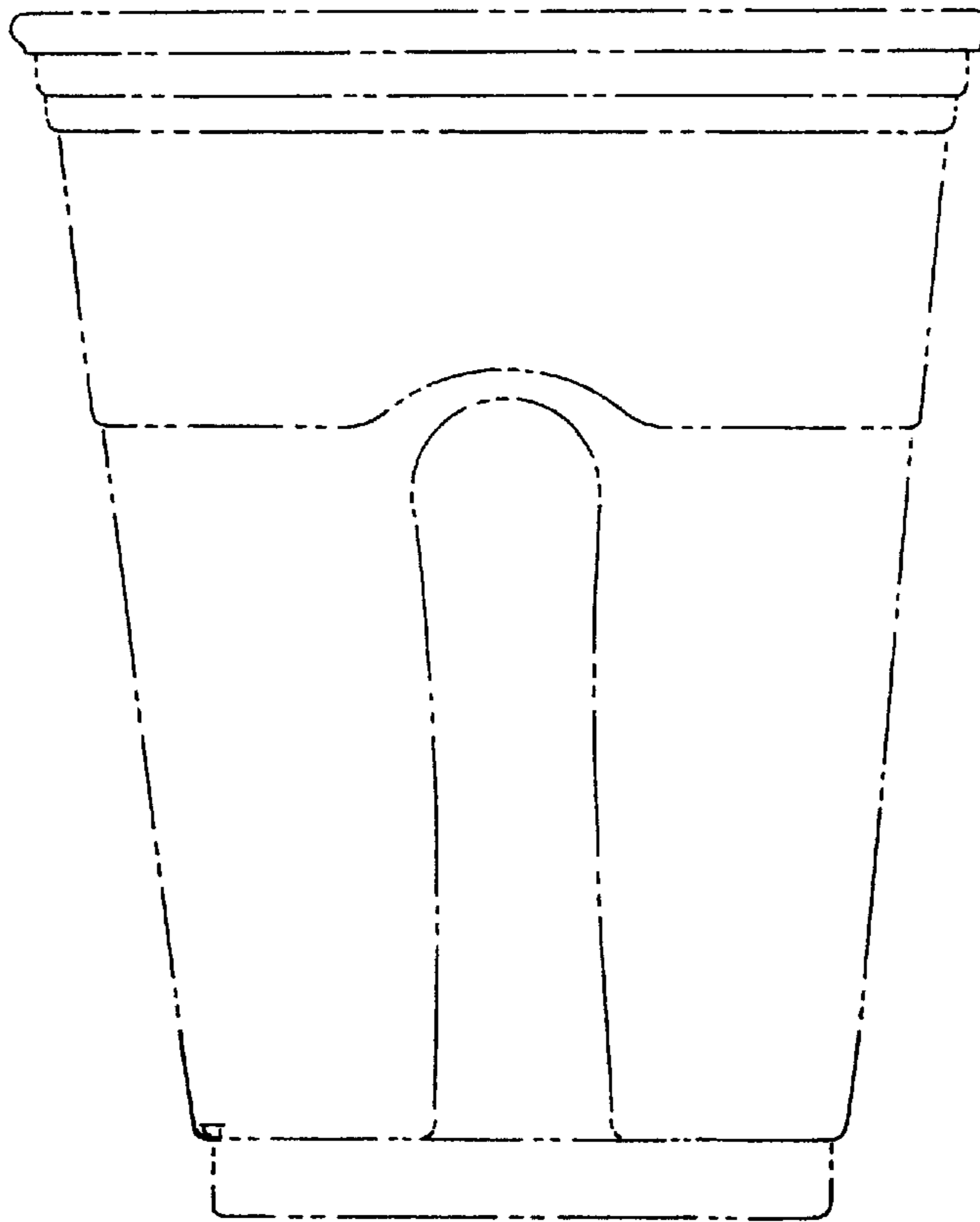
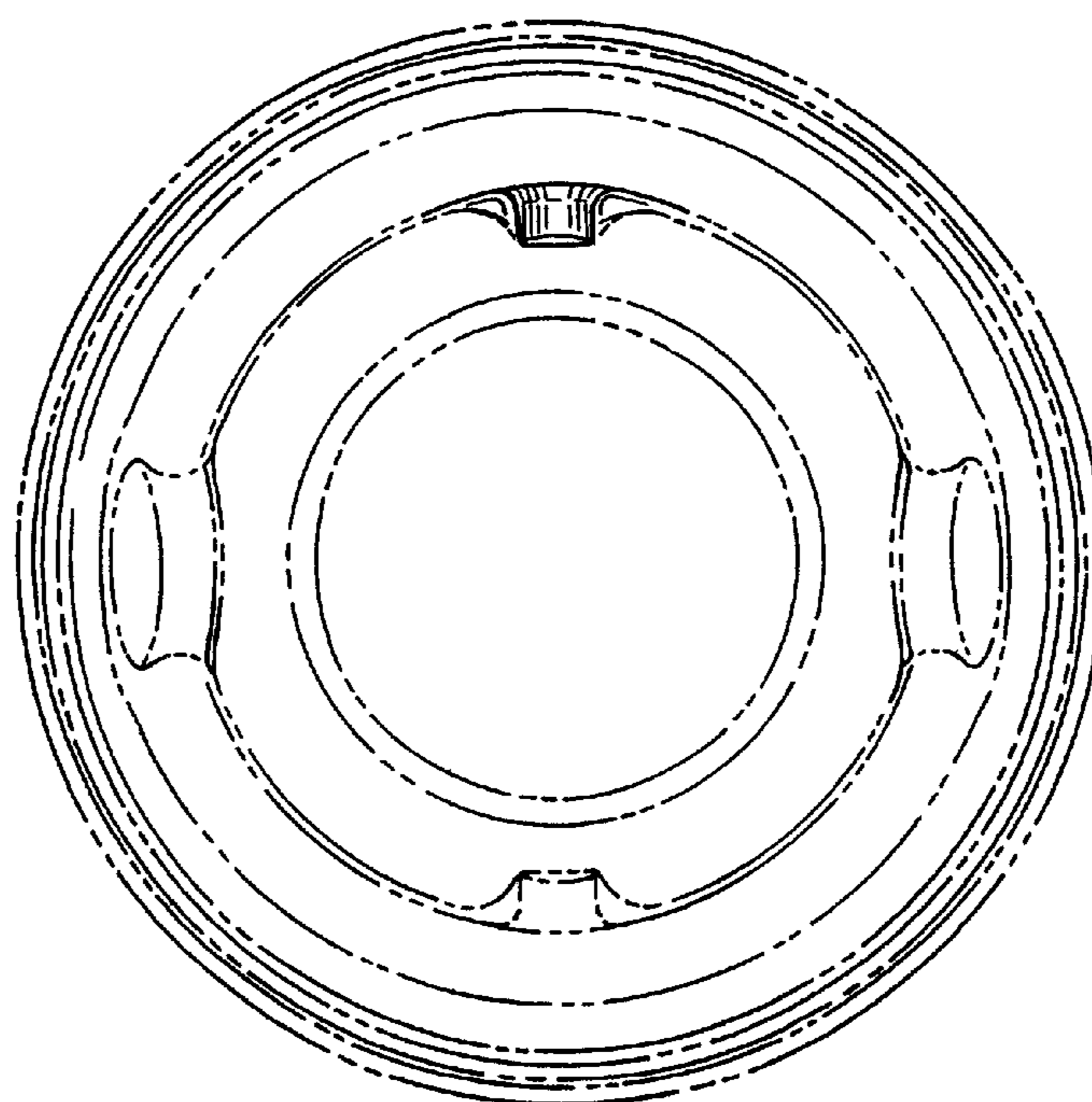


FIG. 4



UNITED STATES PATENT AND TRADEMARK OFFICE
CERTIFICATE OF CORRECTION

PATENT NO. : Des. 511,647 S
DATED : November 22, 2005
INVENTOR(S) : Stephen Alan Smith et al.

Page 1 of 1

It is certified that error appears in the above-identified patent and that said Letters Patent is hereby corrected as shown below:

Title page.

Item [63], **Related U.S. Application Data**, should read:

-- Continuation of application No. 29/194,893, filed on Dec. 3, 2003, now Pat. No. Des. 504,593, which is a continuation-in-part of application No. 10/676,807, filed on Oct. 1, 2003. --.

Signed and Sealed this

Twenty-eighth Day of March, 2006

A handwritten signature in black ink on a light gray dotted background. The signature reads "Jon W. Dudas" in a cursive style.

JON W. DUDAS

Director of the United States Patent and Trademark Office