



US00D511644S

(12) **United States Design Patent** (10) **Patent No.:** **US D511,644 S**
Dilollo et al. (45) **Date of Patent:** **** Nov. 22, 2005**

(54) **LID AND A HANDLE OF A COFFEE MAKER**

(75) Inventors: **Stefano Dilollo**, LaSalle (CA); **Pierre Tardiff**, Longueuil (CA)

(73) Assignee: **Trudeau Corporation 1889 Inc.**, Boucherville (CA)

(**) Term: **14 Years**

(21) Appl. No.: **29/192,221**

(22) Filed: **Oct. 21, 2003**

(51) **LOC (8) Cl.** **07-99**

(52) **U.S. Cl.** **D7/392; D7/392.1; D7/394; D7/397; D7/317; D7/318**

(58) **Field of Search** D7/305, 312, 320, D7/399, 317, 318, 319, 5, 598, 600, 392, 391, 392.1, 393, 394, 397; 222/484, 543, 465.1, 129.1; D9/447, 449, 443, 450; 294/33; 220/787, 252; 99/322, 279; 248/346.5

(56) **References Cited**

U.S. PATENT DOCUMENTS

D110,140 S	*	6/1938	Gamble	D7/392
3,425,735 A	*	2/1969	Ratliff	294/33
D243,741 S	*	3/1977	Hauenstein	D7/392
4,038,914 A	*	8/1977	Crespo et al.	99/279
D247,211 S	*	2/1978	Young	D7/392
D285,400 S	*	9/1986	Zimmermann	D7/317
4,892,234 A	*	1/1990	Bennett	222/484
D326,791 S	*	6/1992	Rixen	D7/317
D338,367 S	*	8/1993	Fonville	D7/317
D342,414 S		12/1993	Jorgensen		
D343,333 S		1/1994	Jorgensen		
D343,759 S		2/1994	Jorgensen		
D377,132 S		1/1997	J.o slashed.rgensen		
D378,261 S		3/1997	J.o slashed.rgensen		
D381,238 S		7/1997	Joergensen		
D384,237 S	*	9/1997	Hess	D7/319
D384,539 S		10/1997	Joergensen		
D384,540 S		10/1997	Joergensen		
D386,040 S		11/1997	Joergensen		

D388,275 S		12/1997	Joergensen		
D398,474 S	*	9/1998	Wagner	D7/305
D401,466 S		11/1998	Joergensen		
D403,200 S		12/1998	Joergensen		
D413,480 S		9/1999	Joergensen		
D413,484 S		9/1999	Joergensen		
D414,978 S	*	10/1999	Bruckner	D7/318
D414,984 S		10/1999	Joergensen		
D415,648 S		10/1999	Joergensen		
D417,582 S		12/1999	Joergensen		
D420,250 S		2/2000	Joergensen		
D435,996 S		1/2001	Joergensen		
D447,379 S	*	9/2001	DiNunzio et al.	D7/376
D460,896 S	*	7/2002	Lin	D7/533
D464,522 S	*	10/2002	OaConnor et al.	D7/319
D495,917 S	*	9/2004	Watanabe	D7/318
D498,383 S	*	11/2004	Chang et al.	D7/305

* cited by examiner

Primary Examiner—M. N. Pandozzi

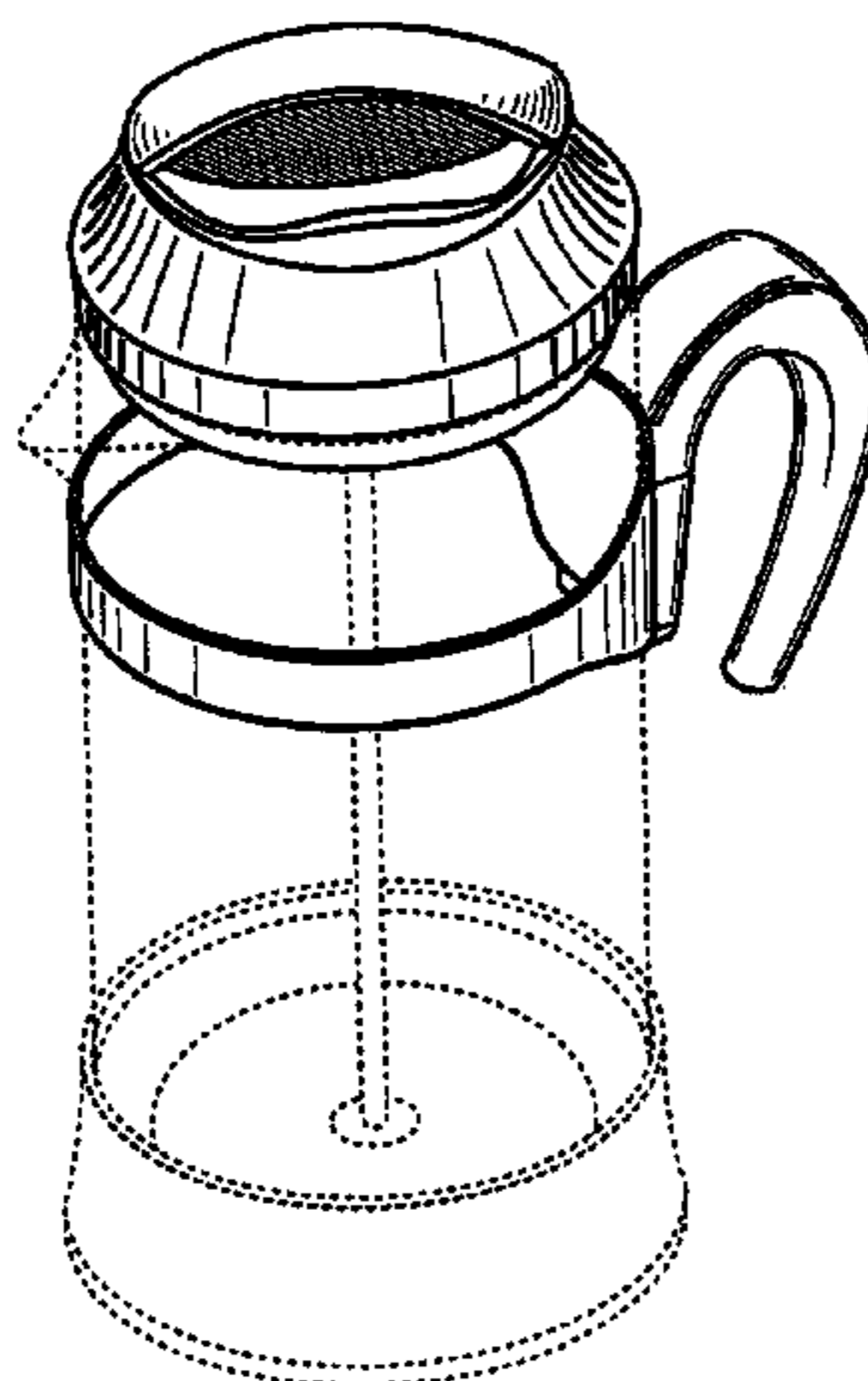
(57) **CLAIM**

We claim the ornamental design for a lid and a handle of a coffee maker, as shown and described.

DESCRIPTION

FIG. 1 is a perspective view of a lid and a handle of a coffee maker according to the present design;
 FIG. 2 is a right side elevational view of the lid and a handle of a coffee maker of FIG. 1, the left side elevational view being a mirror image thereof;
 FIG. 3 is a rear elevational view of the lid and a handle of a coffee maker of FIG. 1;
 FIG. 4 is a front elevational view of the lid and a handle of a coffee maker of FIG. 1; and,
 FIG. 5 is a top plan view of the lid and a handle of a coffee maker of FIG. 1.
 The bottom view is omitted since the bottom of the lid and handle is unornamented. The broken lines shown in FIGS. 1-5 are for illustrative purposes only and form no part of the claimed design.

1 Claim, 5 Drawing Sheets



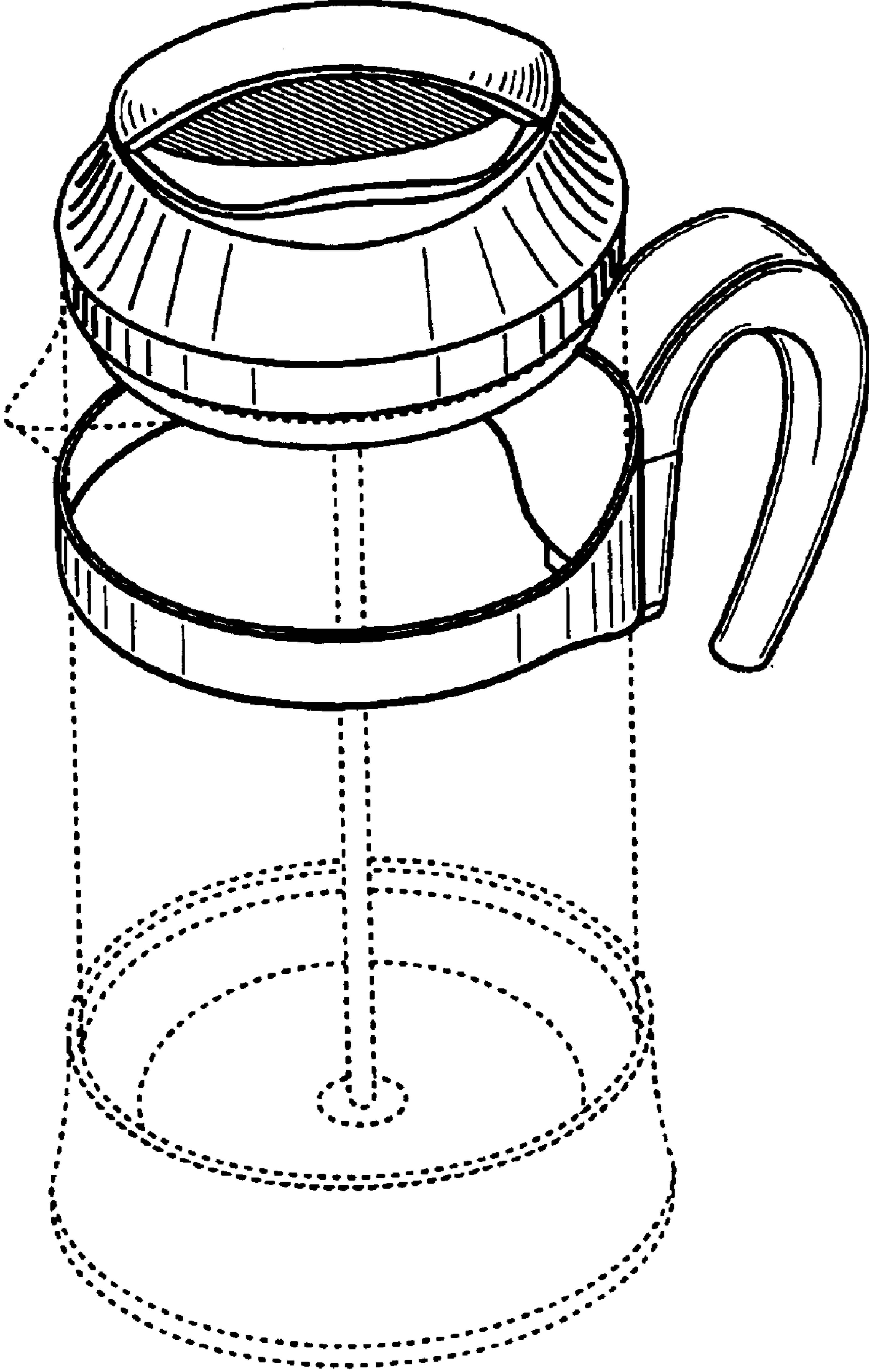


FIG. 1

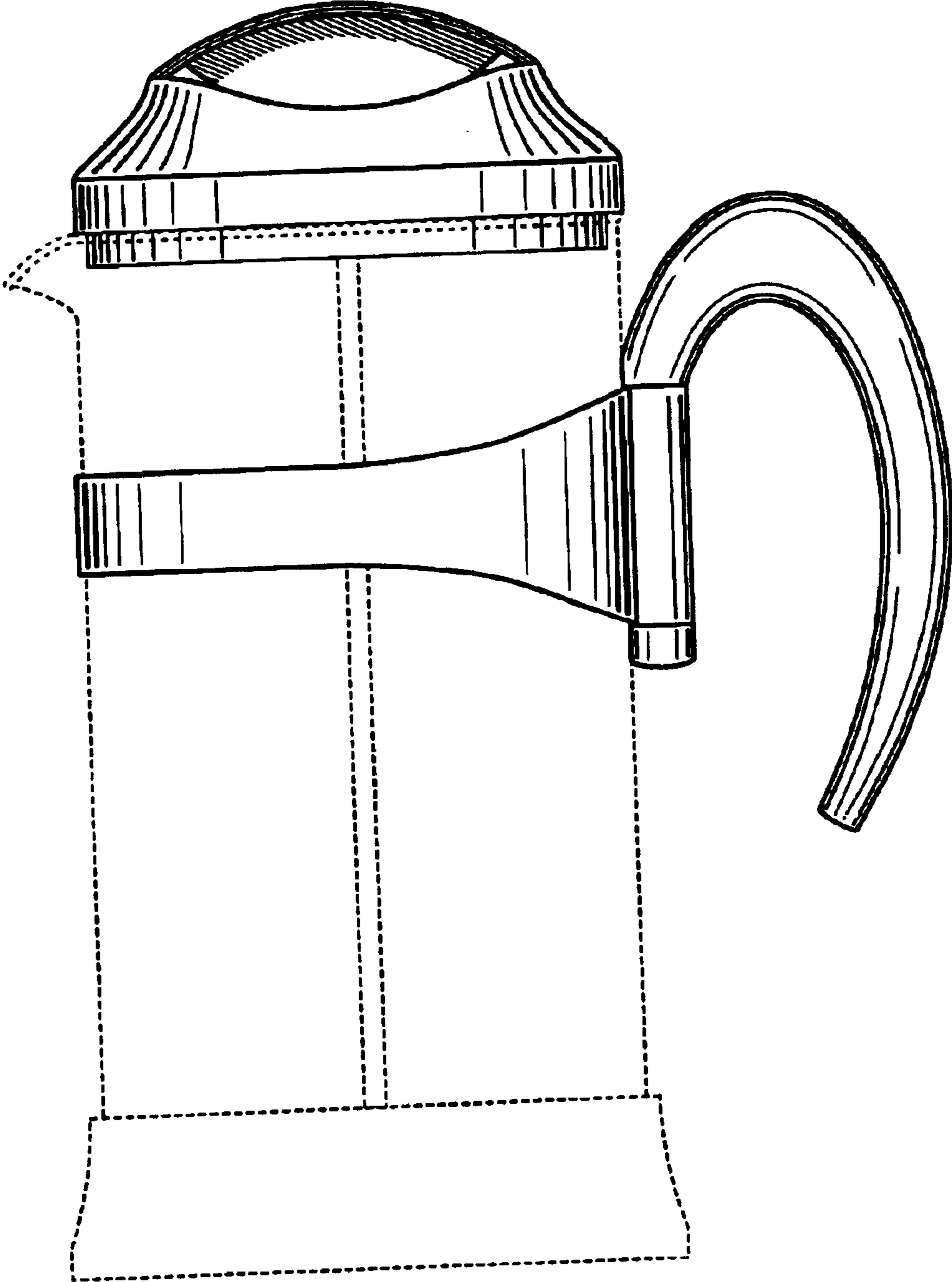


FIG. 2

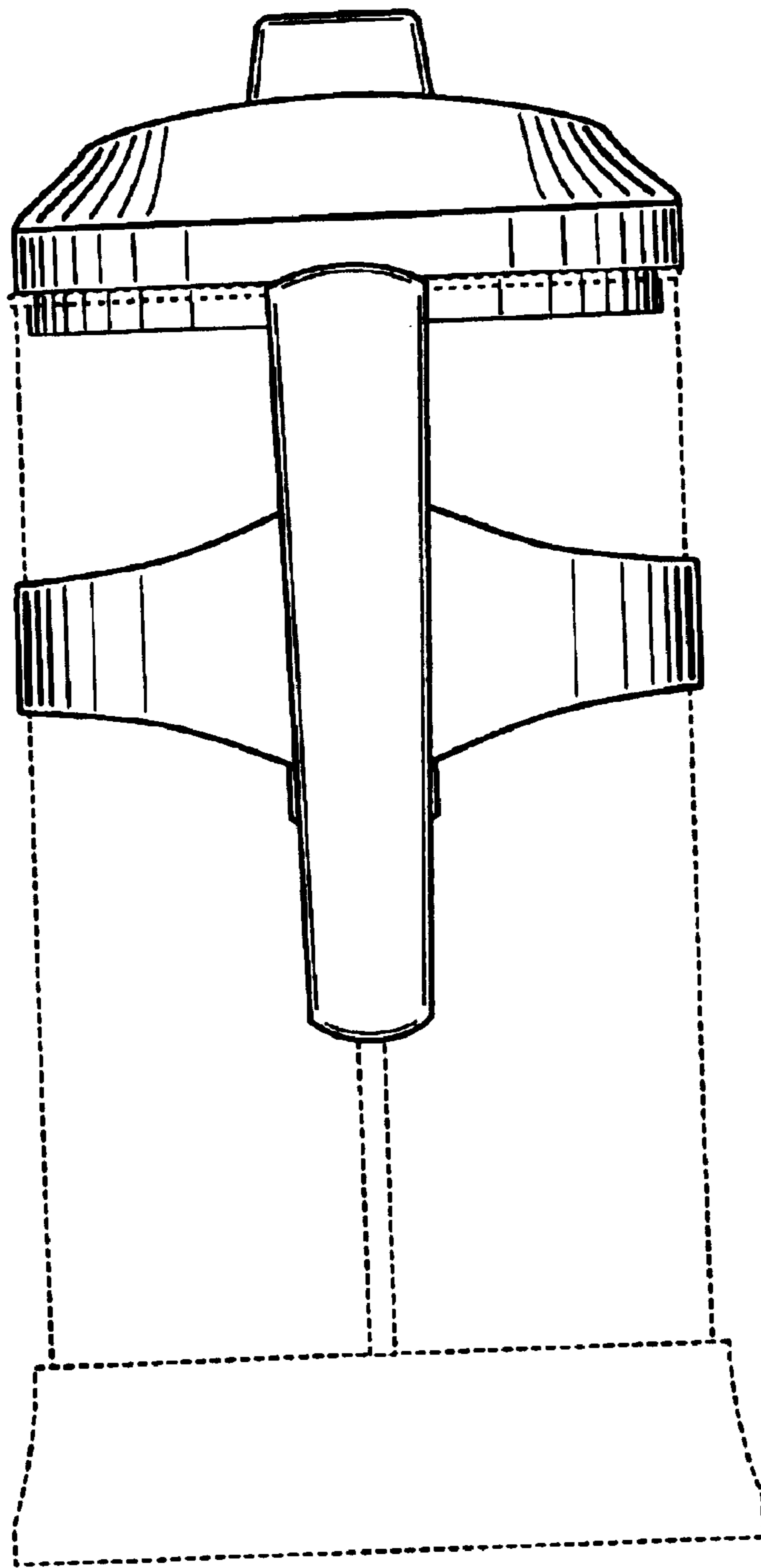


FIG. 3

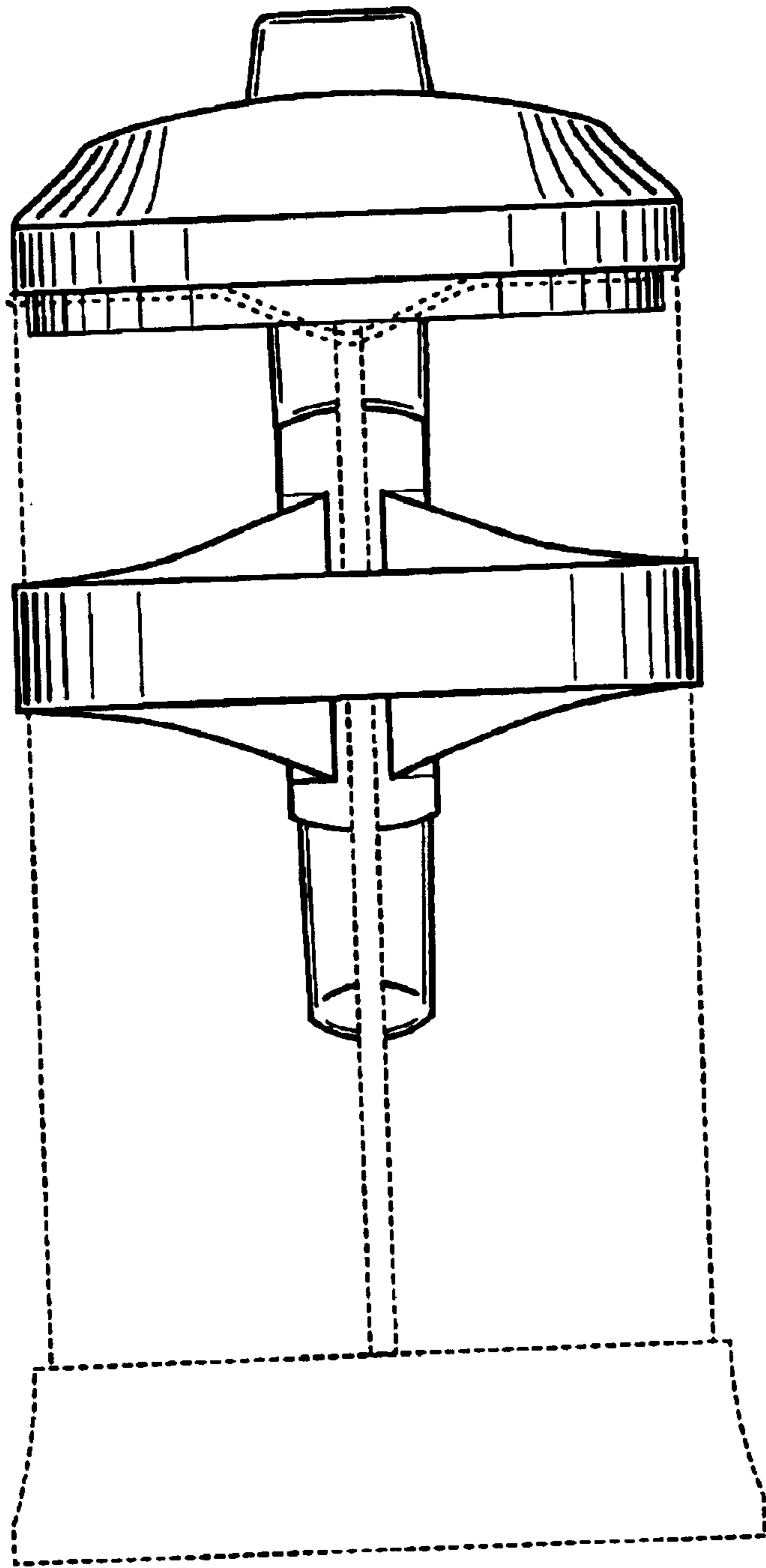


FIG. 4

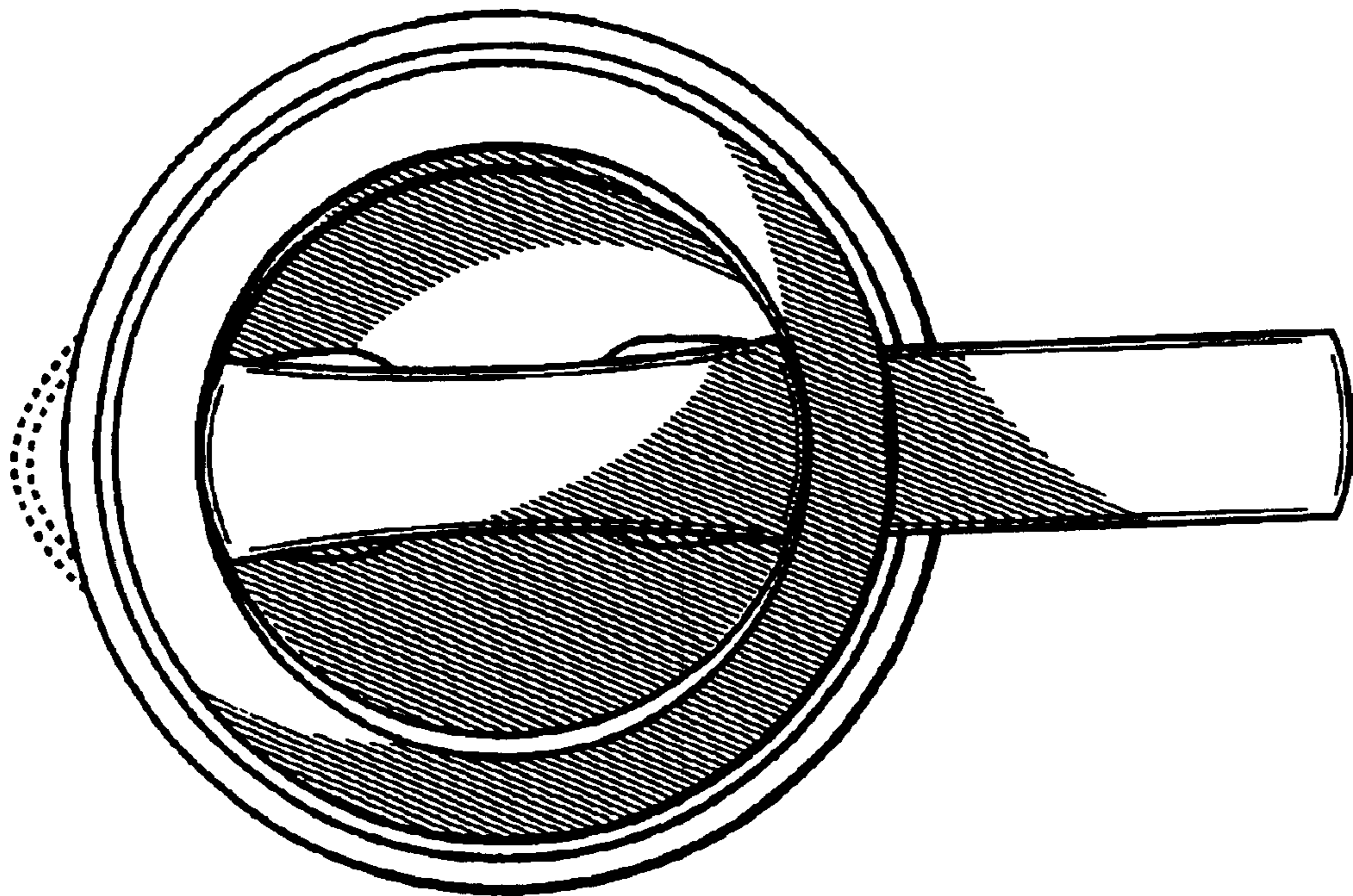


FIG. 5