



US00D511643S

(12) **United States Design Patent**
Ball et al.

(10) **Patent No.: US D511,643 S**

(45) **Date of Patent: ** Nov. 22, 2005**

(54) **COOKER**

(75) Inventors: **Alan Ball**, Somerville, MA (US); **Anne Judith Kassenaar**, Newton, MA (US)

(73) Assignee: **Conair Corporation**, Stamford, CT (US)

(**) Term: **14 Years**

(21) Appl. No.: **29/194,337**

(22) Filed: **Nov. 21, 2003**

(51) **LOC (8) Cl.** **07-02**

(52) **U.S. Cl.** **D7/360**

(58) **Field of Search** D7/354-365, 323;
219/604, 620-621; 220/573.2, 573.3; 99/324,
331, 336, 339, 357, 403

(56) **References Cited**

U.S. PATENT DOCUMENTS

213,763 A	4/1879	Lee	
875,972 A	1/1908	Wessel	
2,597,695 A	5/1952	Braski et al.	219/44
2,785,277 A	3/1957	Jepson	219/44
D338,132 S	8/1993	Chang	D7/356
D381,553 S	7/1997	Candianides	D7/356
D382,767 S	* 8/1997	Lien	D7/360
5,839,357 A	11/1998	Ha et al.	99/337
D416,434 S	* 11/1999	Pollnow	D7/360
D420,246 S	* 2/2000	Alonge et al.	D7/360
6,100,504 A	8/2000	Wagner	219/432
D433,869 S	* 11/2000	Wong et al.	D7/360

D444,993 S	* 7/2001	Dobson et al.	D7/354
6,283,015 B1	9/2001	Kwon et al.	99/337
D450,528 S	* 11/2001	Rossmann	D7/360
D476,191 S	* 6/2003	Josancy	D7/358

FOREIGN PATENT DOCUMENTS

GB 2043811 * 7/1994

* cited by examiner

Primary Examiner—Joel Sincavage

Assistant Examiner—Maurice Stevens

(74) *Attorney, Agent, or Firm*—Ohlandt, Greeley, Ruggiero & Perle, L.L.P.

(57) **CLAIM**

The ornamental design for the cooker, as shown and described in the accompanying figures.

DESCRIPTION

FIG. 1 is a front view of a cooker in accordance with a preferred embodiment of the present invention;

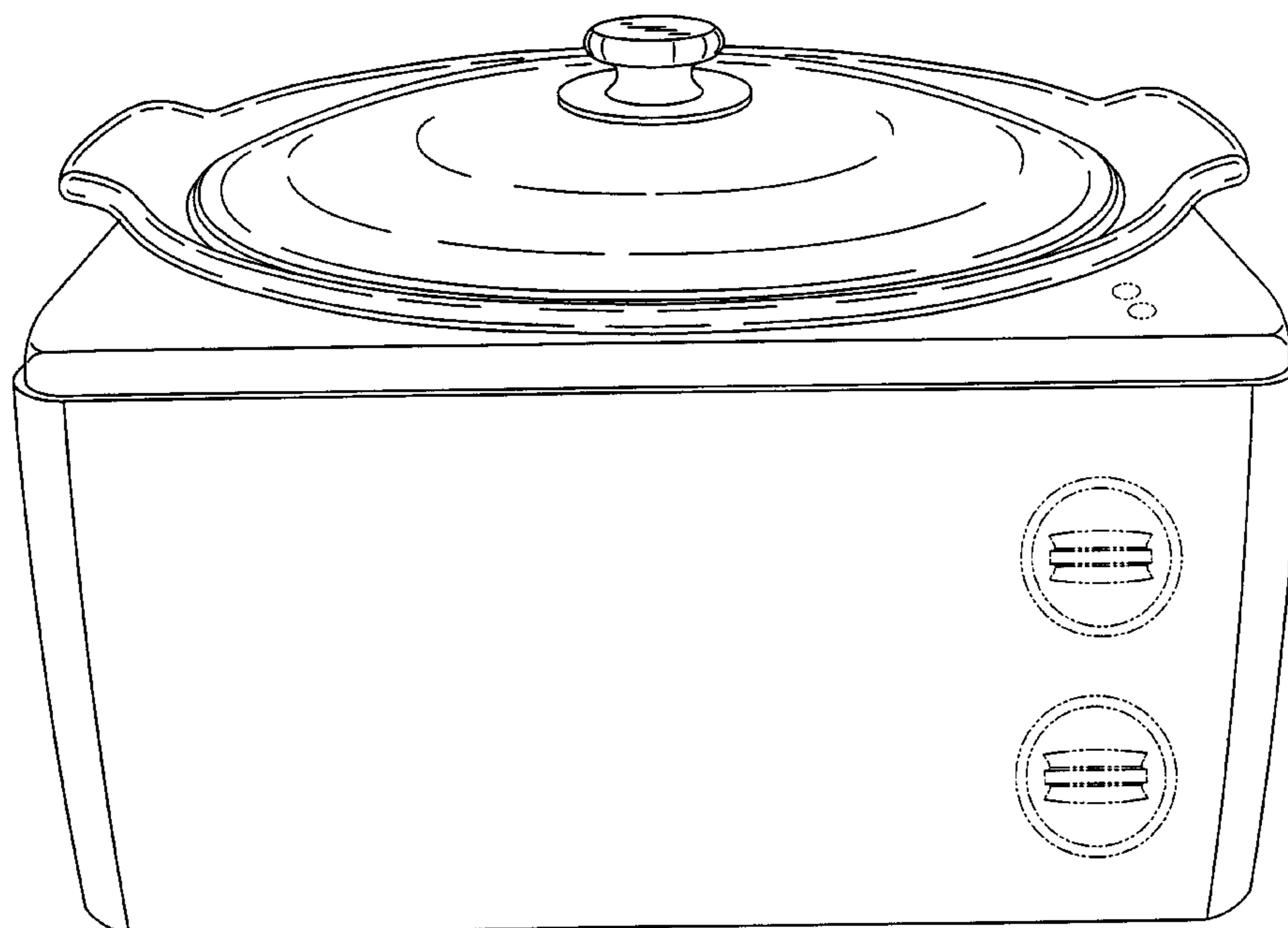
FIG. 2 is side view of the cooker, rotated ninety degrees from the front view of FIG. 1, the opposite side being symmetric thereto;

FIG. 3 is a rear view of the cooker, opposite the front view of FIG. 1;

FIG. 4 is a top view of the cooker of FIG. 1; and,

FIG. 5 is a front perspective view of the cooker of FIG. 1. The broken lines identify objects that form no part of the claimed design.

1 Claim, 5 Drawing Sheets



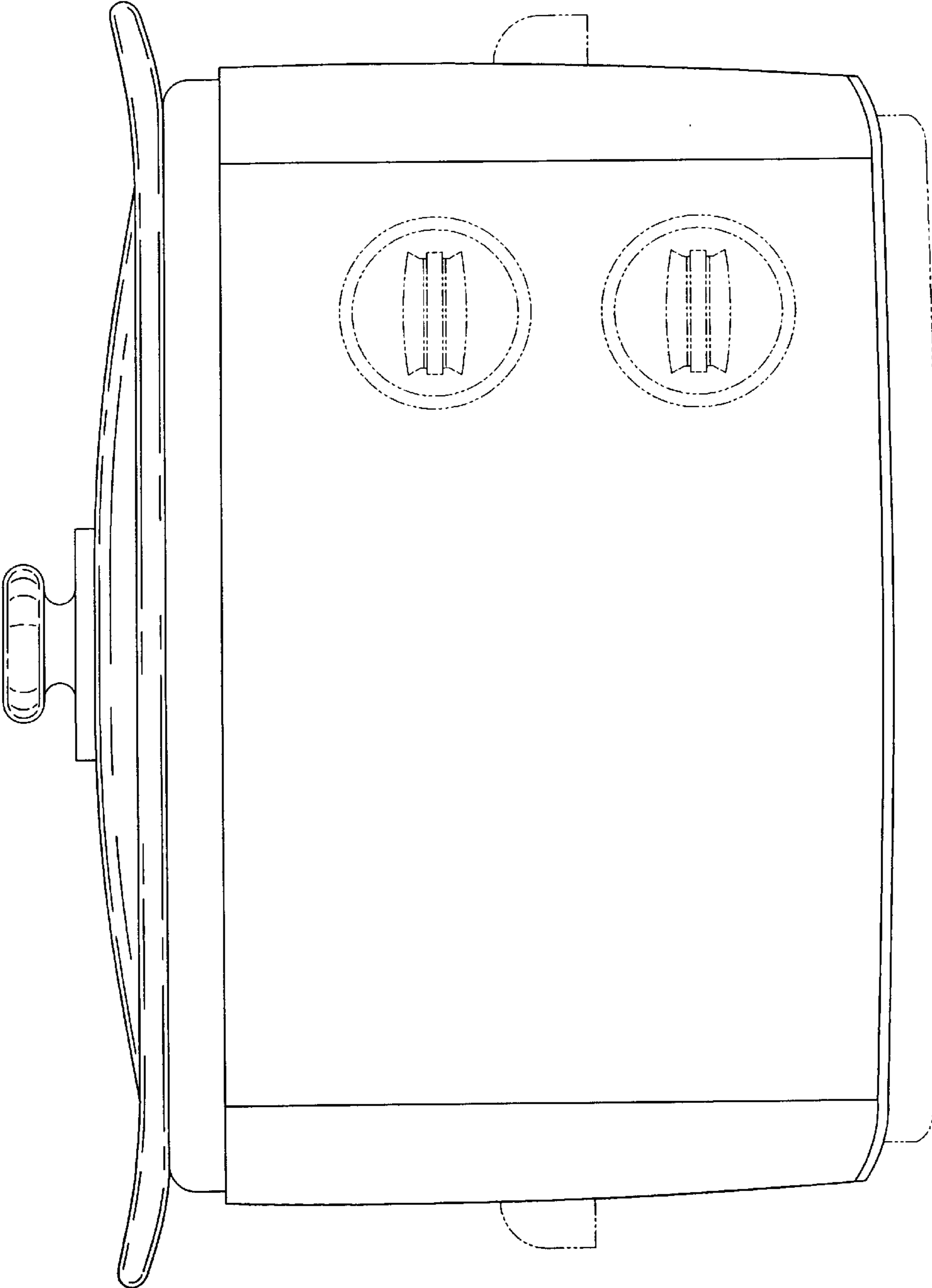


FIG. 1

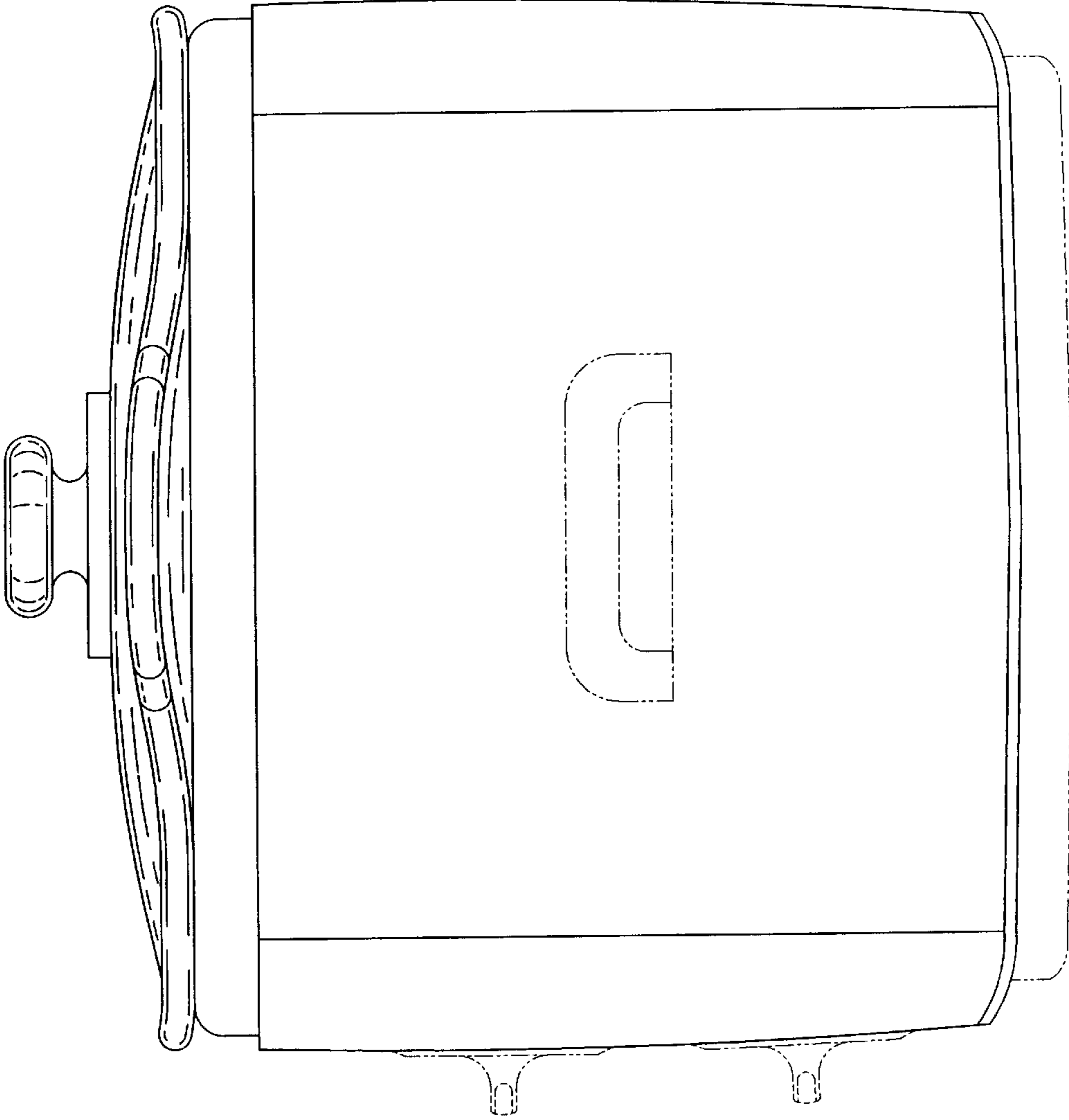


FIG. 2

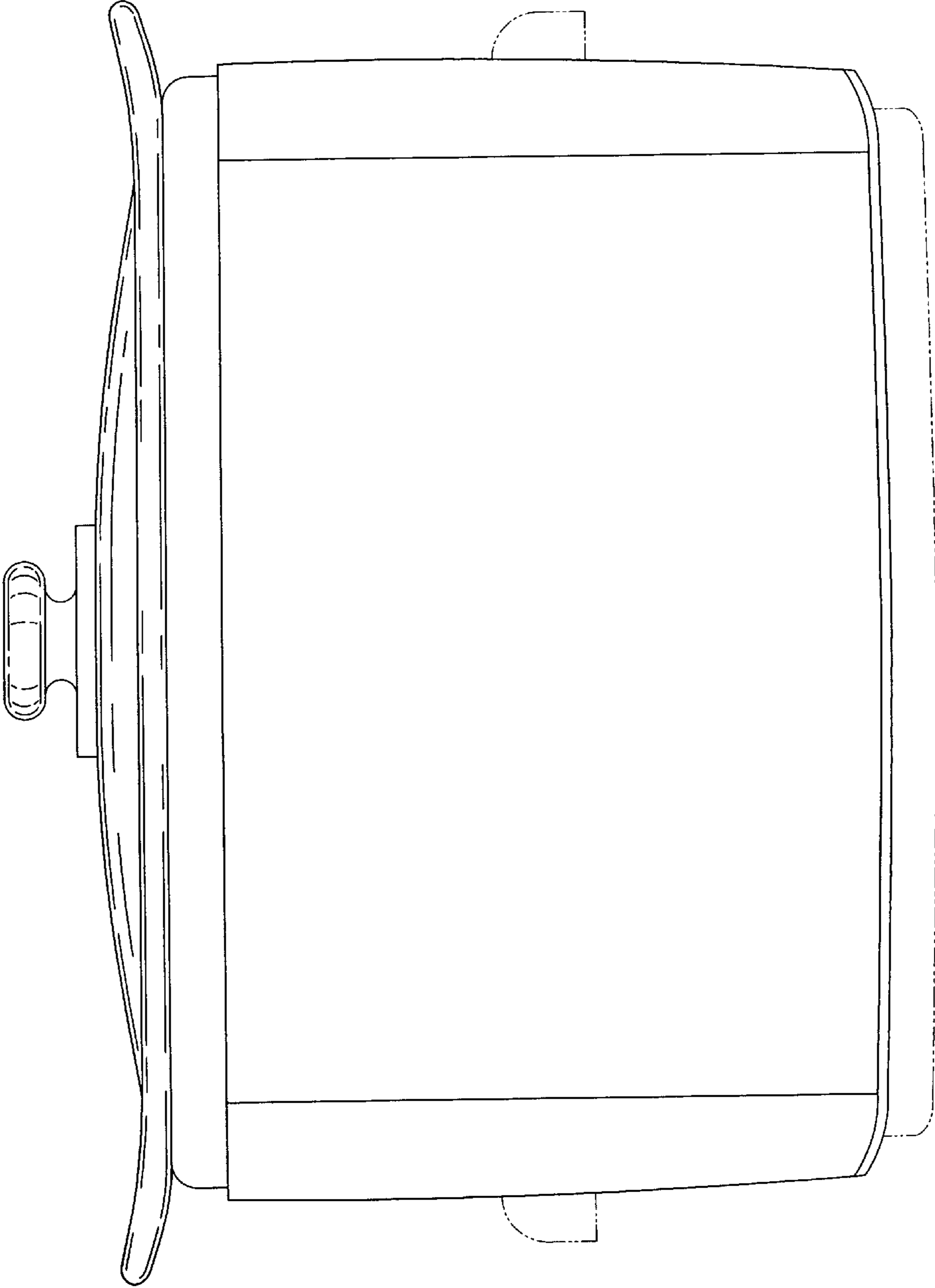


FIG. 3

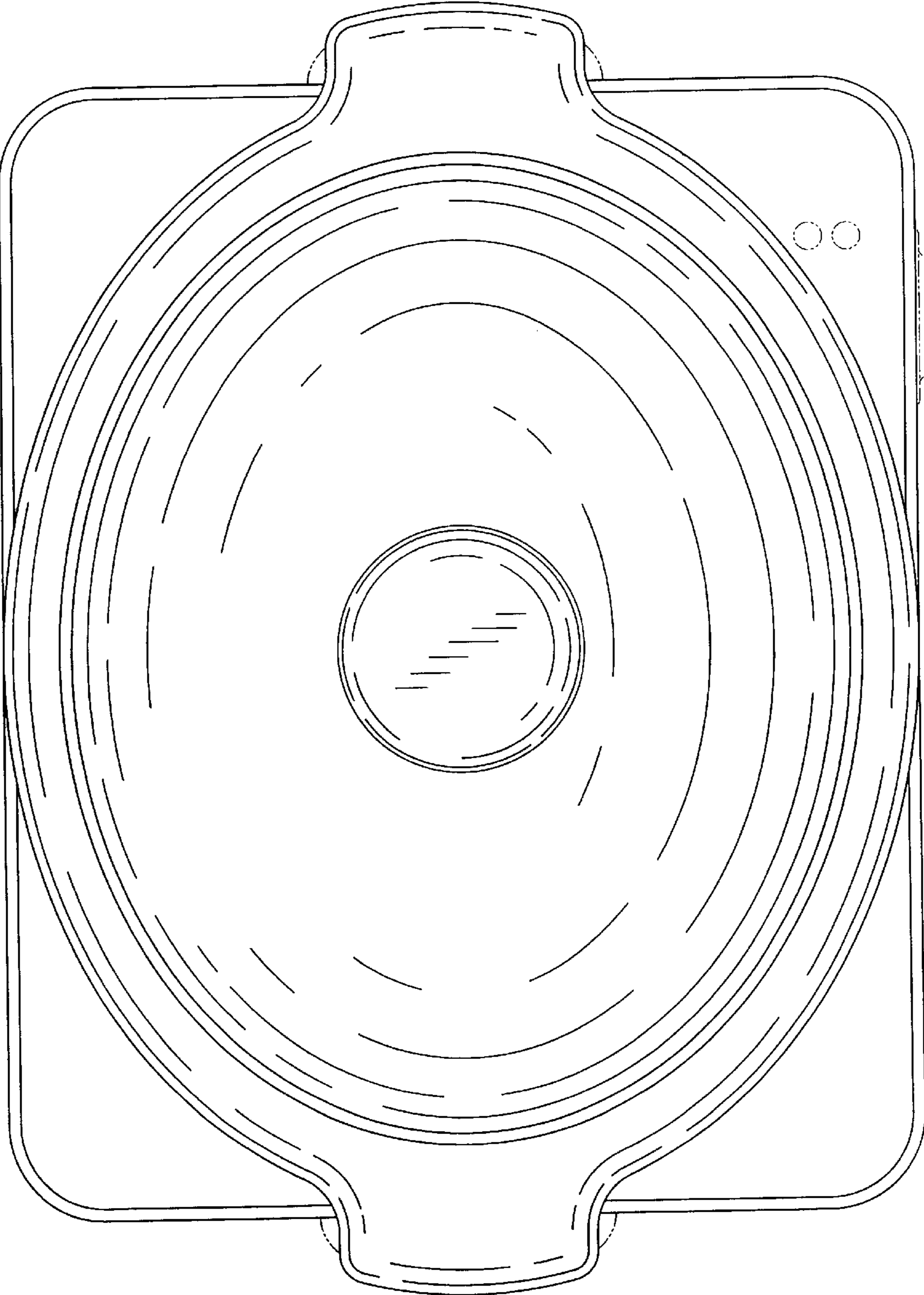


FIG. 4

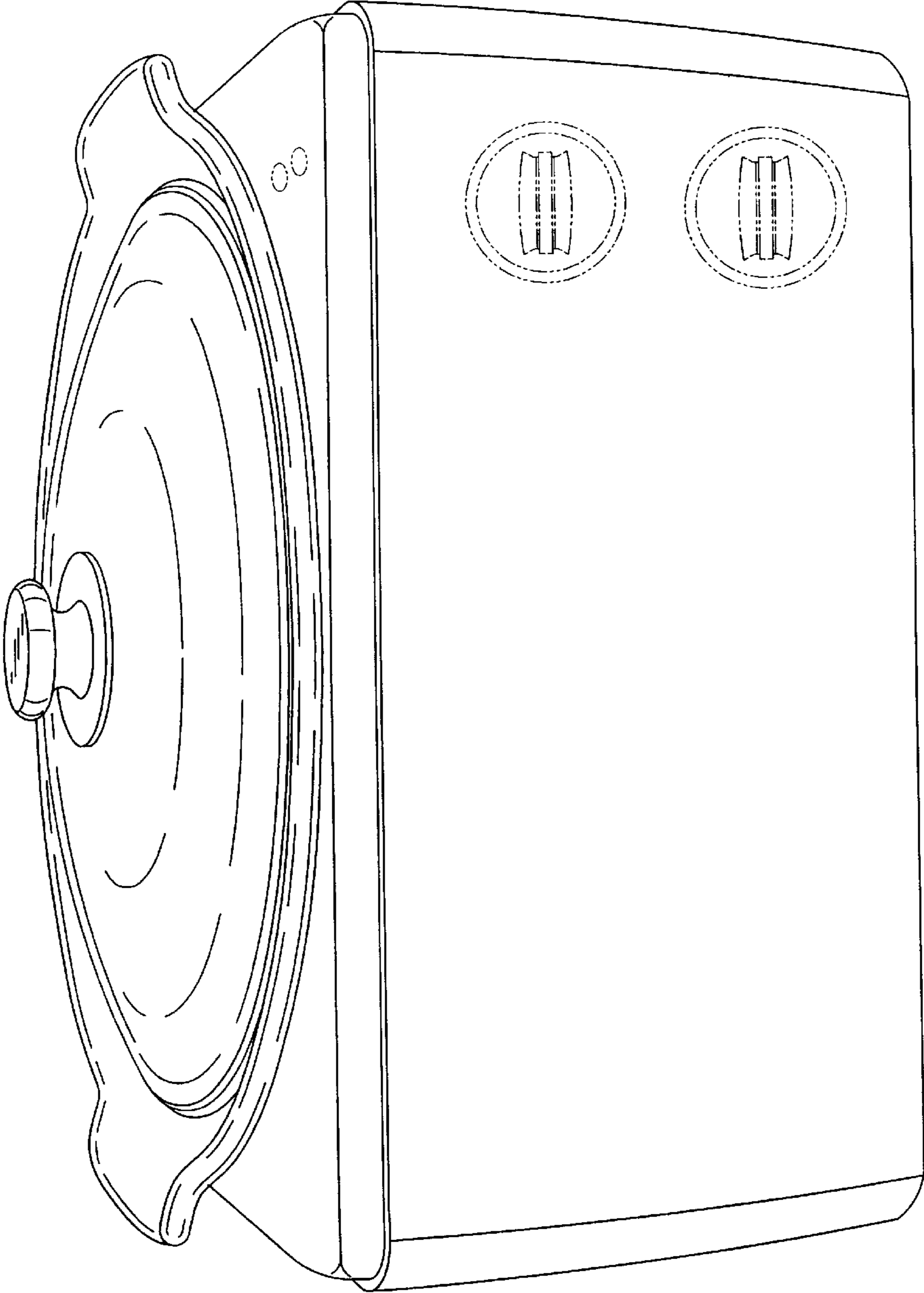


FIG. 5