



US00D511641S

(12) **United States Design Patent**
Kim

(10) **Patent No.: US D511,641 S**

(45) **Date of Patent: ** Nov. 22, 2005**

(54) **INDUCTION RANGE**

(75) **Inventor: Young Don Kim, Gyeonggi-do (KR)**

(73) **Assignee: LG Electronics Inc., Seoul (KR)**

(**) **Term: 14 Years**

(21) **Appl. No.: 29/212,910**

(22) **Filed: Sep. 10, 2004**

(30) **Foreign Application Priority Data**

Mar. 17, 2004 (KR) 30-2004-0007598

(51) **LOC (8) Cl. 07-02**

(52) **U.S. Cl. D7/346**

(58) **Field of Search** D7/339-341, 346-348;
126/39 R, 39 J, 39 B, 211, 215-218, 214 C,
214 R, 152 R; 219/443.1, 450.1, 452.11

(56) **References Cited**

U.S. PATENT DOCUMENTS

D277,448 S * 2/1985 Vetter et al. D7/346
D277,449 S * 2/1985 Vetter et al. D7/346

D384,239 S * 9/1997 Wilsdorf D7/346
D451,332 S * 12/2001 Busalt D7/346
D462,866 S * 9/2002 Resuello et al. D7/346
D464,845 S * 10/2002 Shin D7/346

* cited by examiner

Primary Examiner—Catherine R. Oliver

(74) *Attorney, Agent, or Firm*—Birch, Stewart, Kolasch & Birch, LLP

(57) **CLAIM**

I claim the ornamental design for induction range, as shown and described.

DESCRIPTION

FIG. 1 is a Perspective view of induction range showing the new design:

FIG. 2 is a Front Elevation View thereof;

FIG. 3 is a Rear Elevation View thereof;

FIG. 4 is a Left-side Elevation View thereof;

FIG. 5 is a Right-side Elevation View thereof;

FIG. 6 is a Top Plan View thereof; and,

FIG. 7 is a Bottom Plan View thereof.

1 Claim, 5 Drawing Sheets

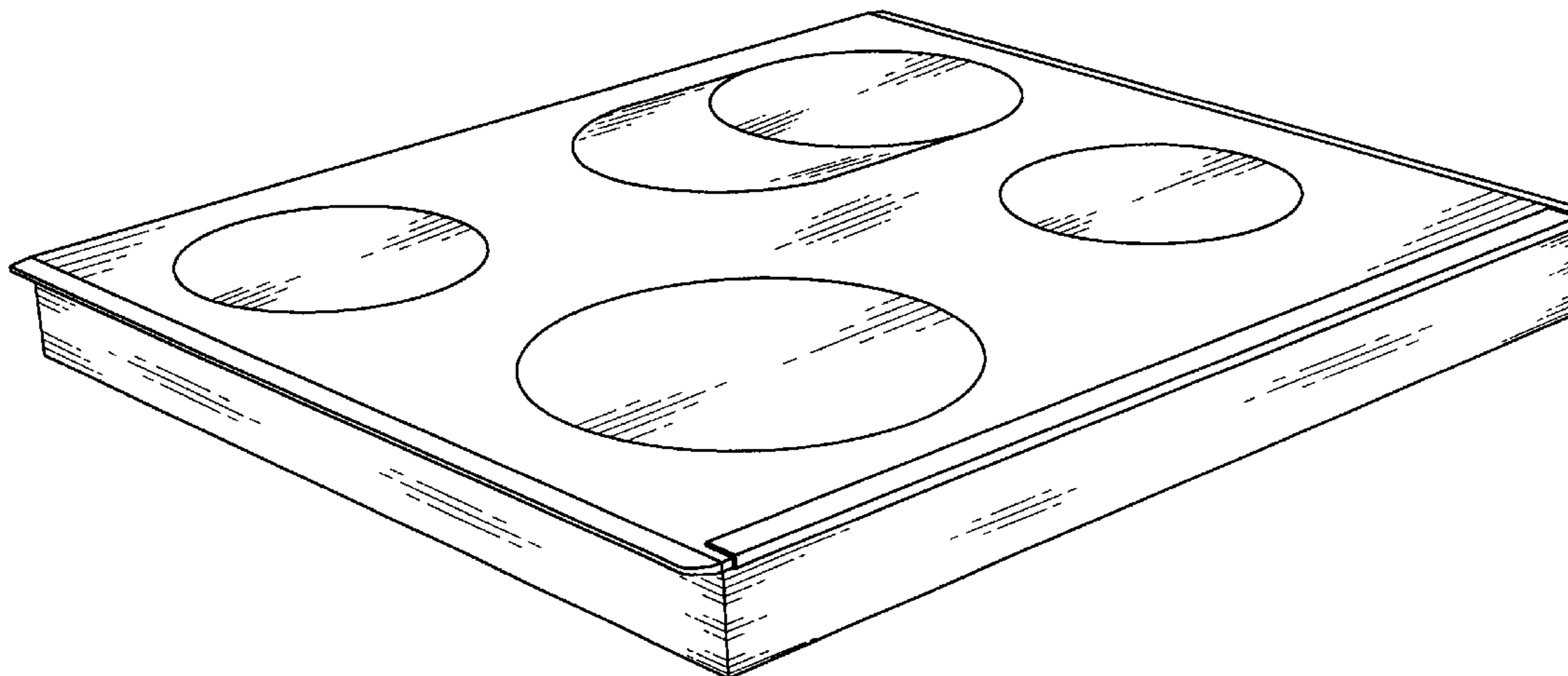


FIG. 1

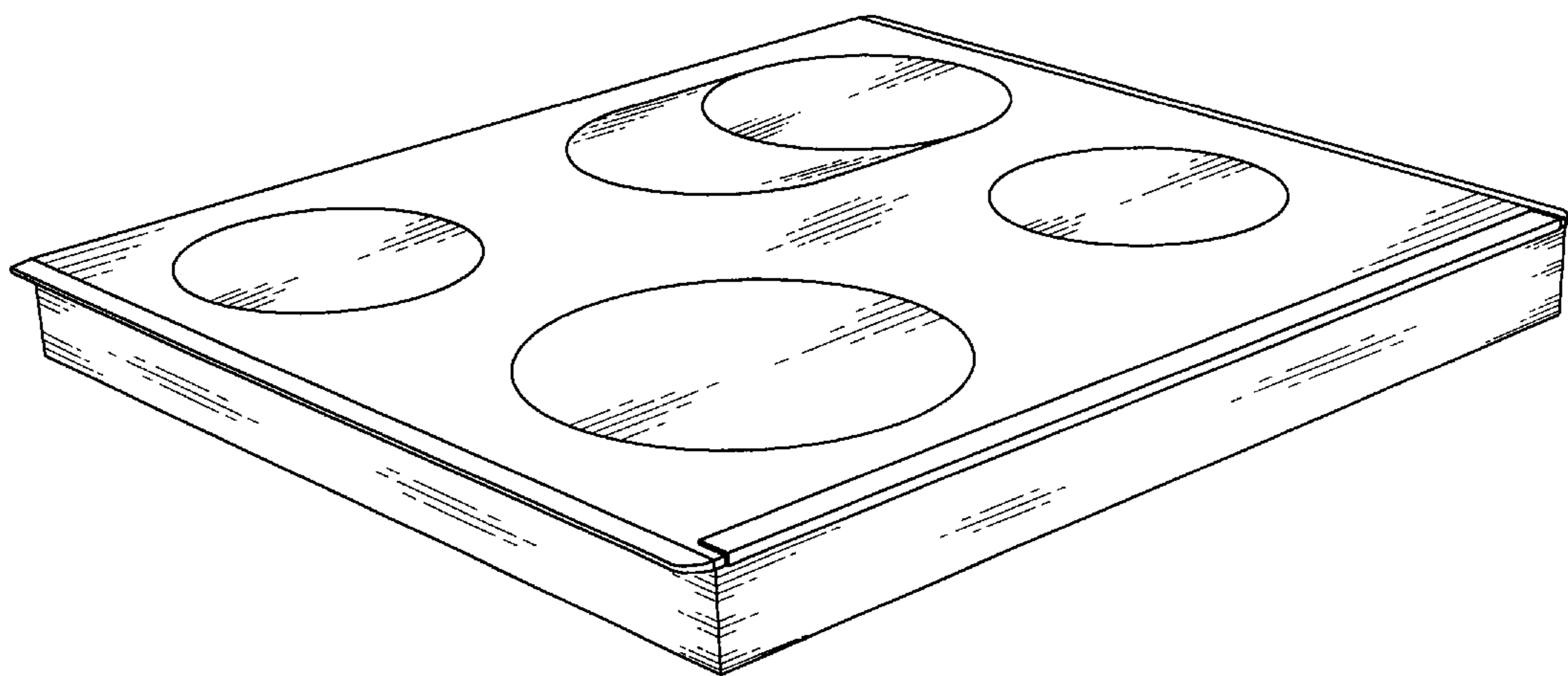


FIG. 2

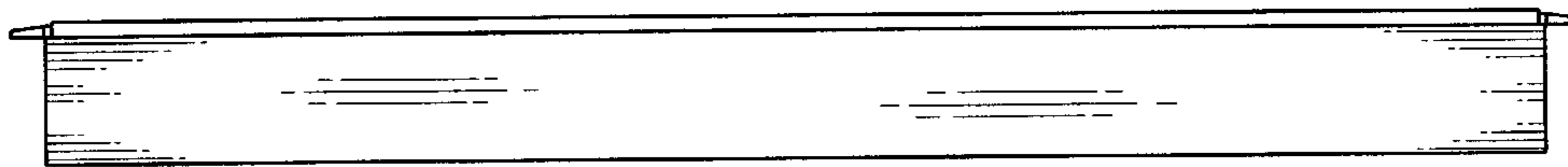


FIG. 3

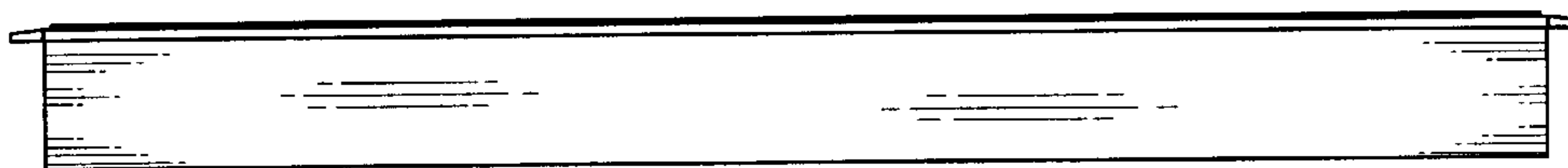


FIG. 4

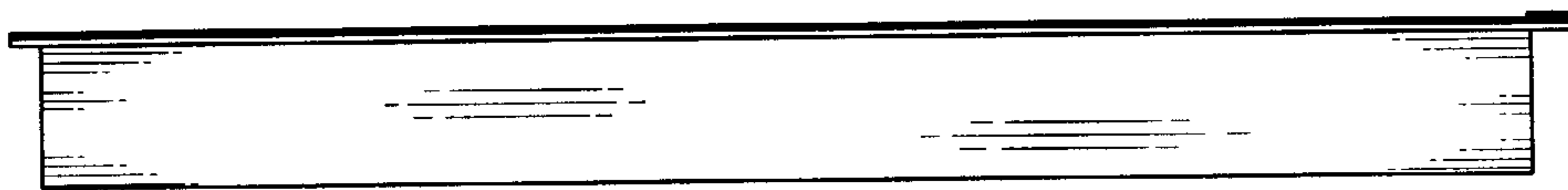


FIG. 5

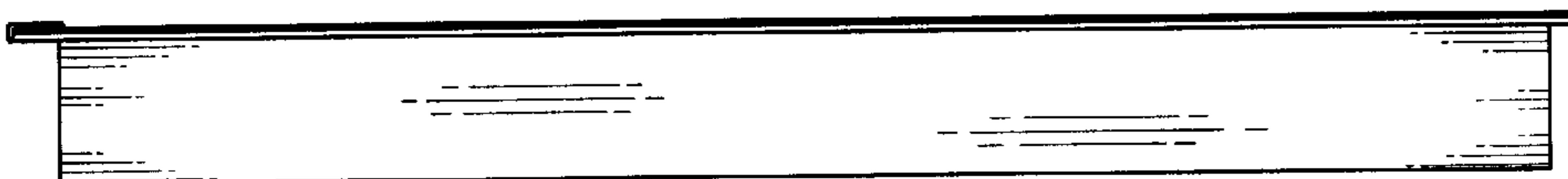


FIG. 6

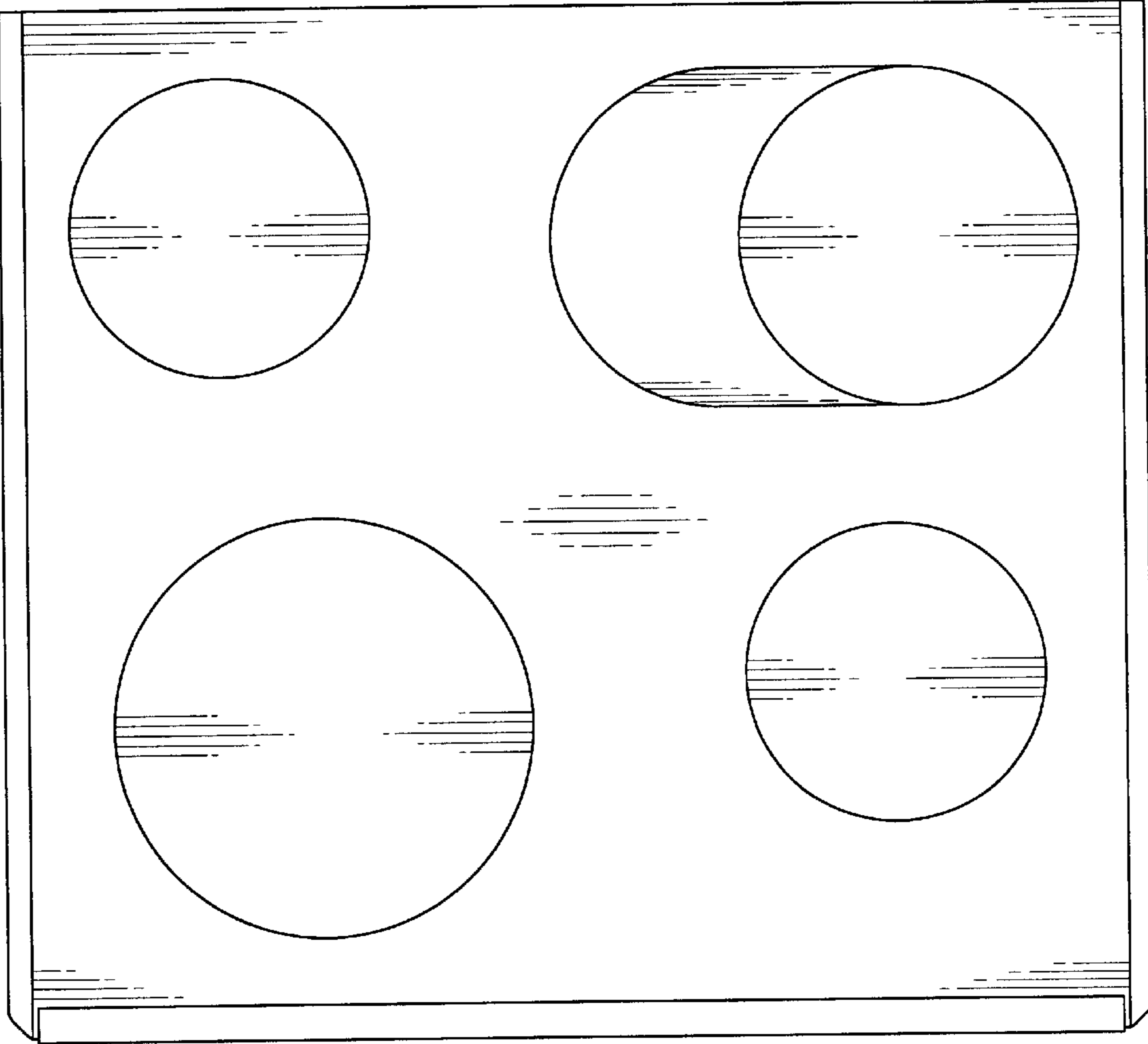


FIG. 7

