



US00D511637S

(12) **United States Design Patent**
Strong

(10) **Patent No.: US D511,637 S**
(45) **Date of Patent: ** Nov. 22, 2005**

(54) **FOLDING TABLE FRAME**

DESCRIPTION

- (75) Inventor: **L. Curtis Strong**, Clearfield, UT (US)
- (73) Assignee: **Lifetime Products, Inc.**, Clearfield, UT (US)
- (**) Term: **14 Years**
- (21) Appl. No.: **29/206,667**
- (22) Filed: **Jun. 2, 2004**
- (51) **LOC (8) Cl.** **06-06**
- (52) **U.S. Cl.** **D6/495; D6/498**
- (58) **Field of Search** D6/480-489, 495, D6/497-499, 511; 108/115, 118, 151, 153.1, 155, 156, 157.1, 161, 120, 69, 13, 77, 78; 248/188, 188.1, 188.7, 188.8

FIG. 1 is an upper perspective view of an exemplary embodiment of a folding table frame, illustrating the legs in an extended or unfolded position to support a table top above a surface;

FIG. 2 is another upper perspective view of the folding table frame shown in FIG. 1;

FIG. 3 is a top view of the folding table frame shown in FIG. 1;

FIG. 4 is a front view of the folding table frame shown in FIG. 1;

FIG. 5 is an upper perspective view of the folding table frame, illustrating one of the legs in a collapsed or folded position;

FIG. 6 is another upper perspective view of the folding table frame shown in FIG. 5;

FIG. 7 is a top view of the folding table frame shown in FIG. 5;

FIG. 8 is a front view of the folding table frame shown in FIG. 5;

FIG. 9 is an upper perspective view of the folding table frame, illustrating the legs in the collapsed or folded position;

FIG. 10 is another upper perspective view of the folding table frame shown in FIG. 9;

FIG. 11 is a top view of the folding table frame shown in FIG. 9; and,

FIG. 12 is a front view of the folding table frame shown in FIG. 9.

(56) **References Cited**

U.S. PATENT DOCUMENTS

D225,501 S	*	12/1972	Apple, Jr.	D6/483
D241,672 S	*	9/1976	Rica	D26/37
D247,401 S	*	3/1978	Cohen	D6/414
D248,703 S	*	8/1978	Morgan, Jr.	D26/58
D355,318 S	*	2/1995	Gutgsell	D6/498
D408,177 S	*	4/1999	Stout	D6/480

* cited by examiner

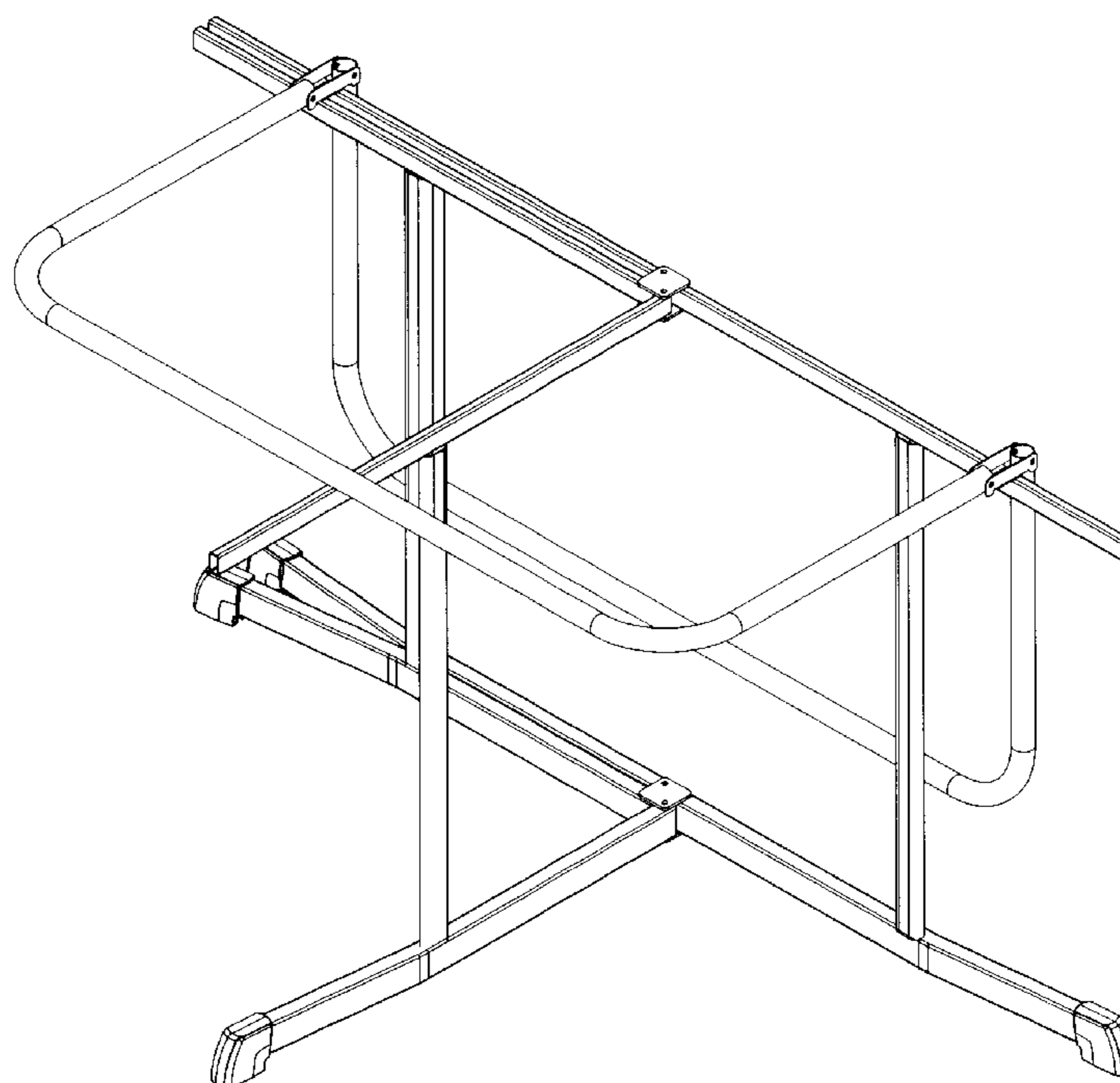
Primary Examiner—Janice E. Seeger

(74) *Attorney, Agent, or Firm*—Workman Nydegger

(57) **CLAIM**

The ornamental design for a folding table frame, as shown and described.

1 Claim, 6 Drawing Sheets



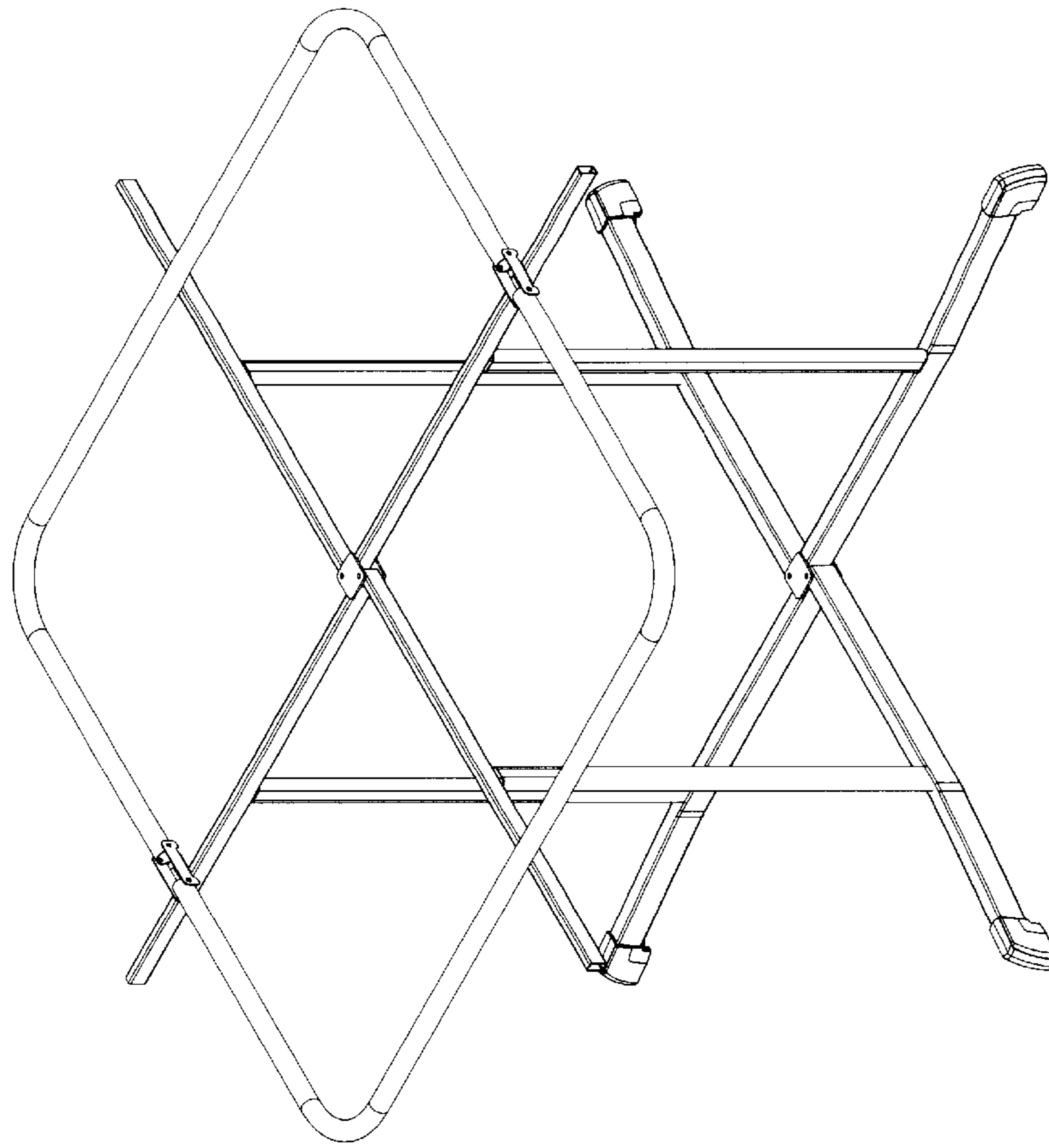


Fig. 2

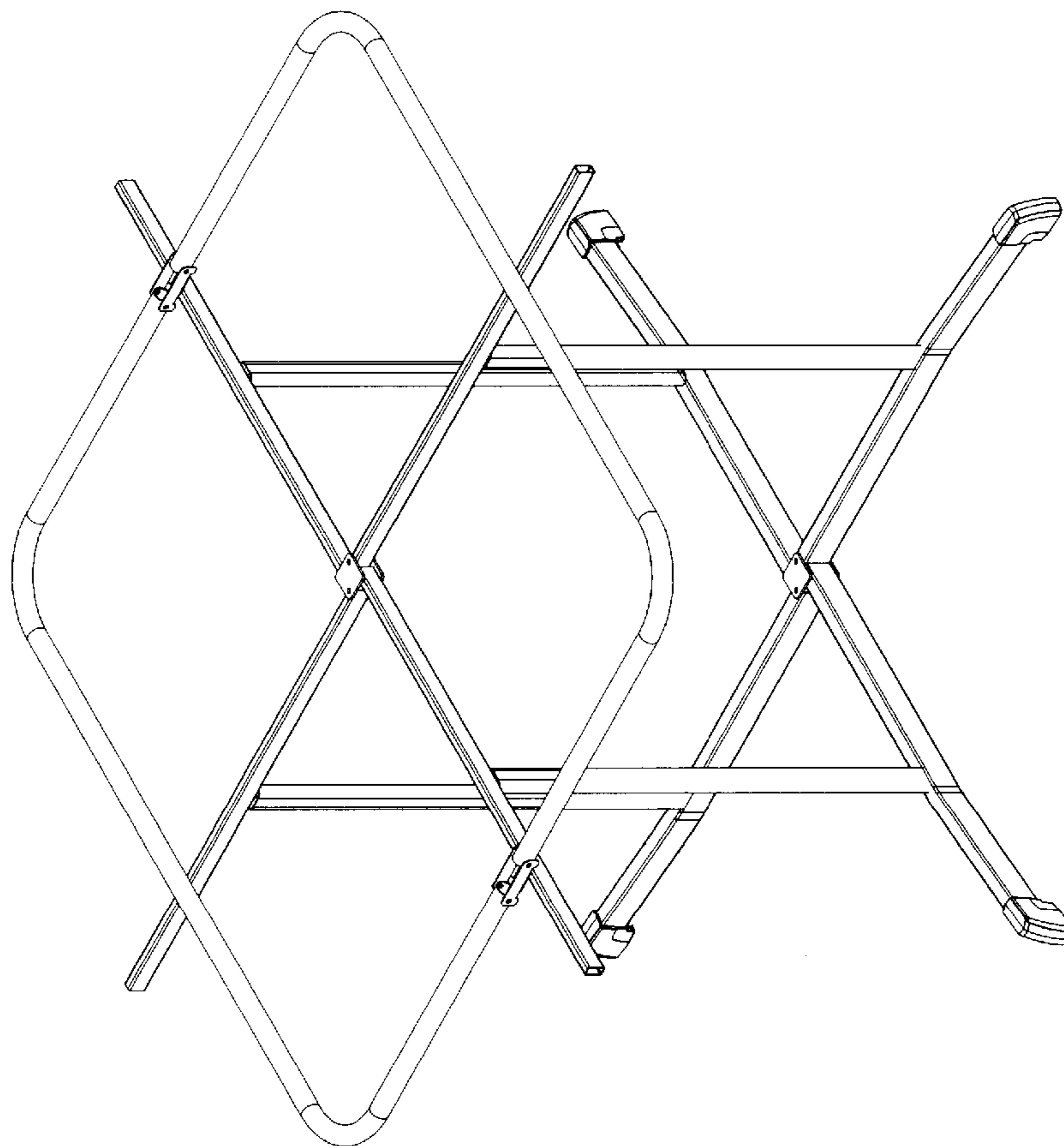


Fig. 1

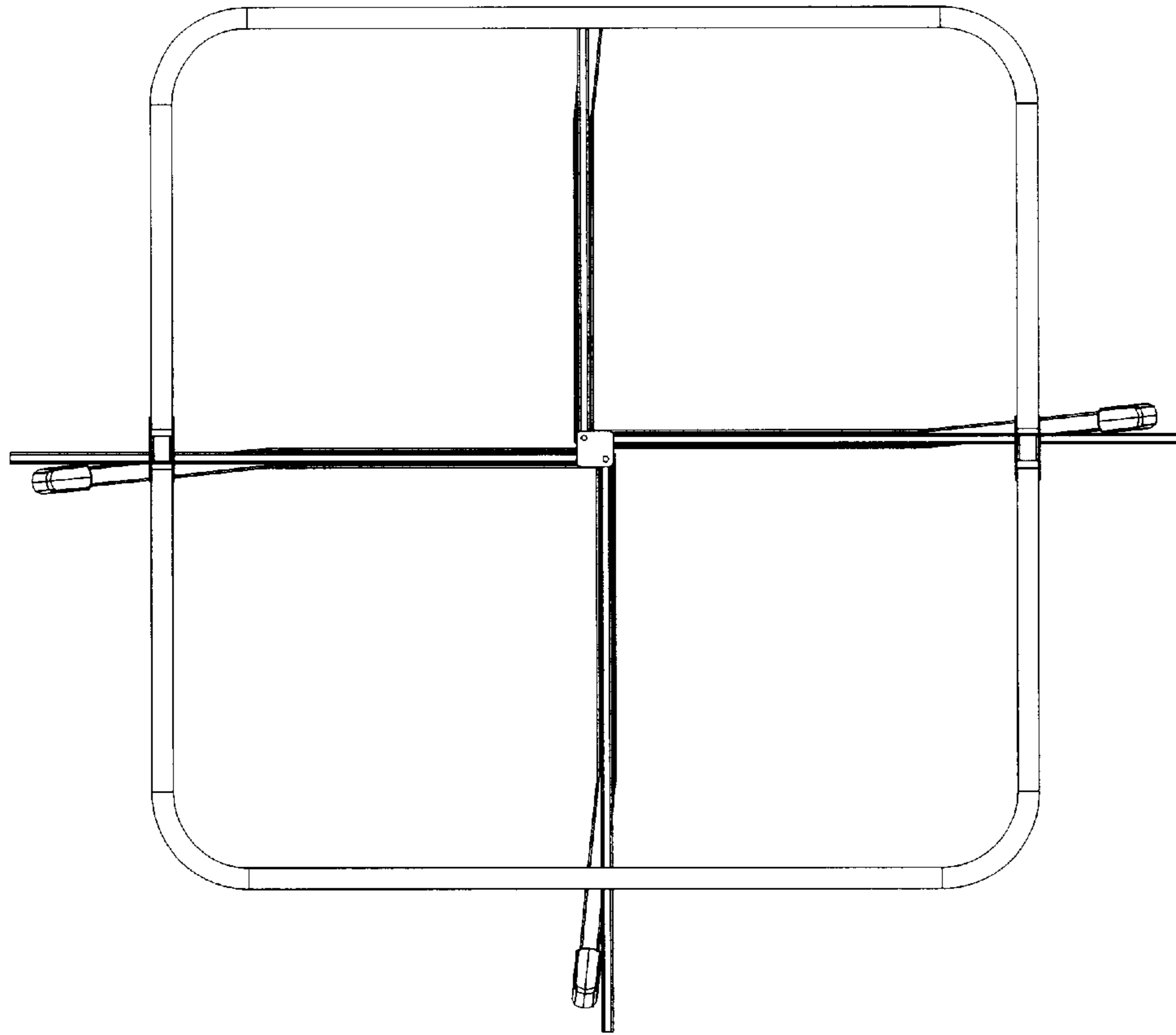


Fig. 3

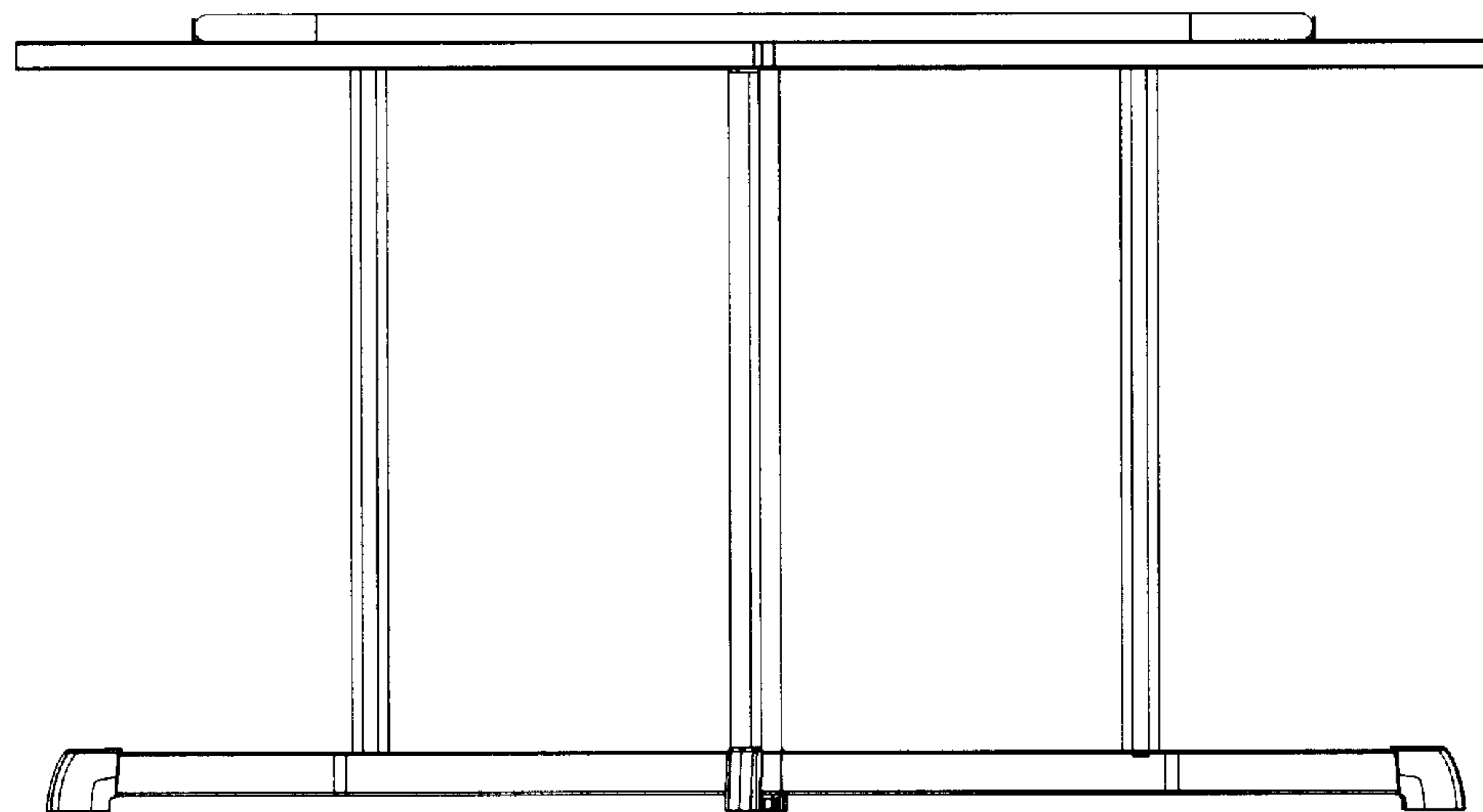


Fig. 4

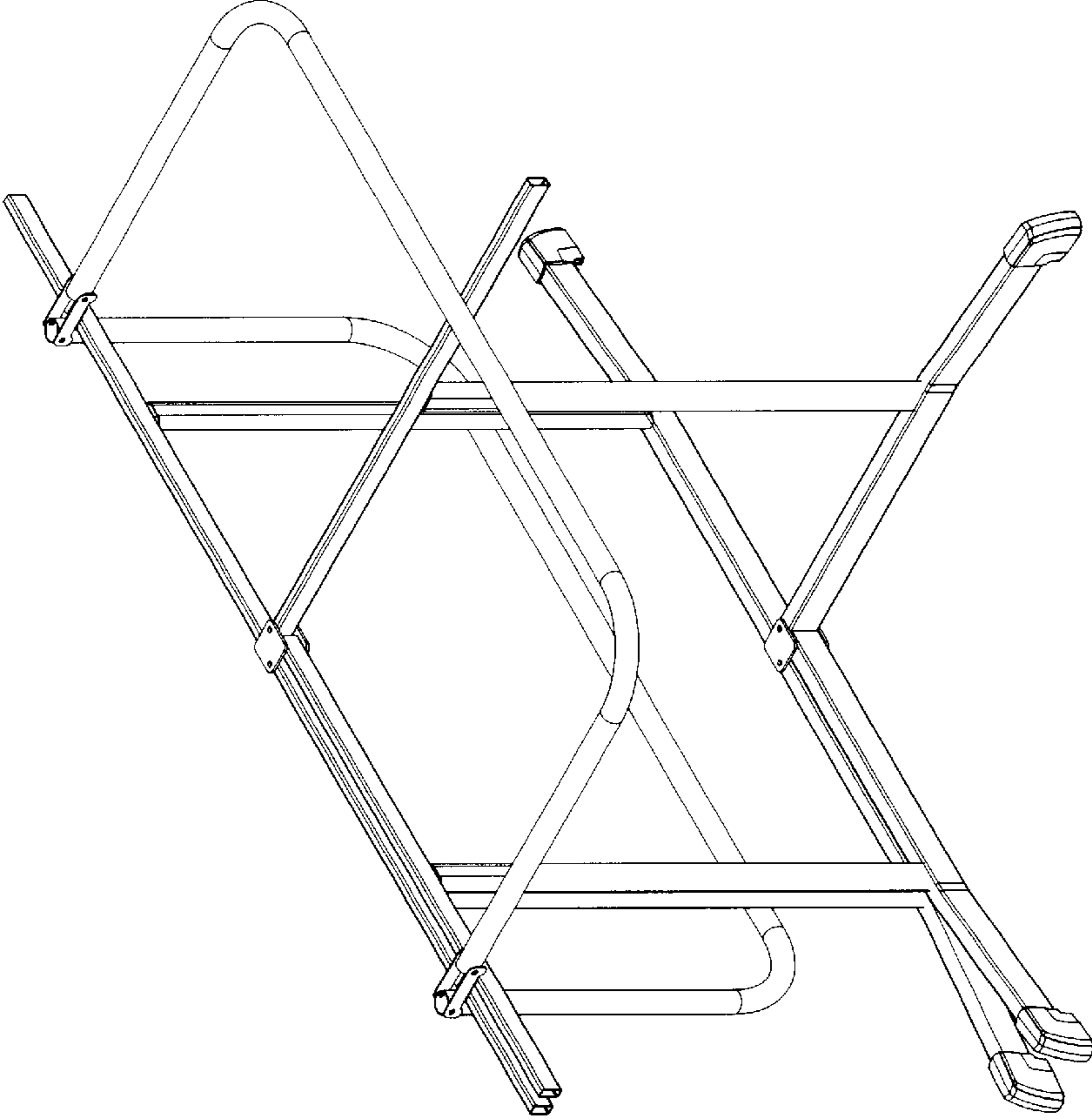


Fig. 6

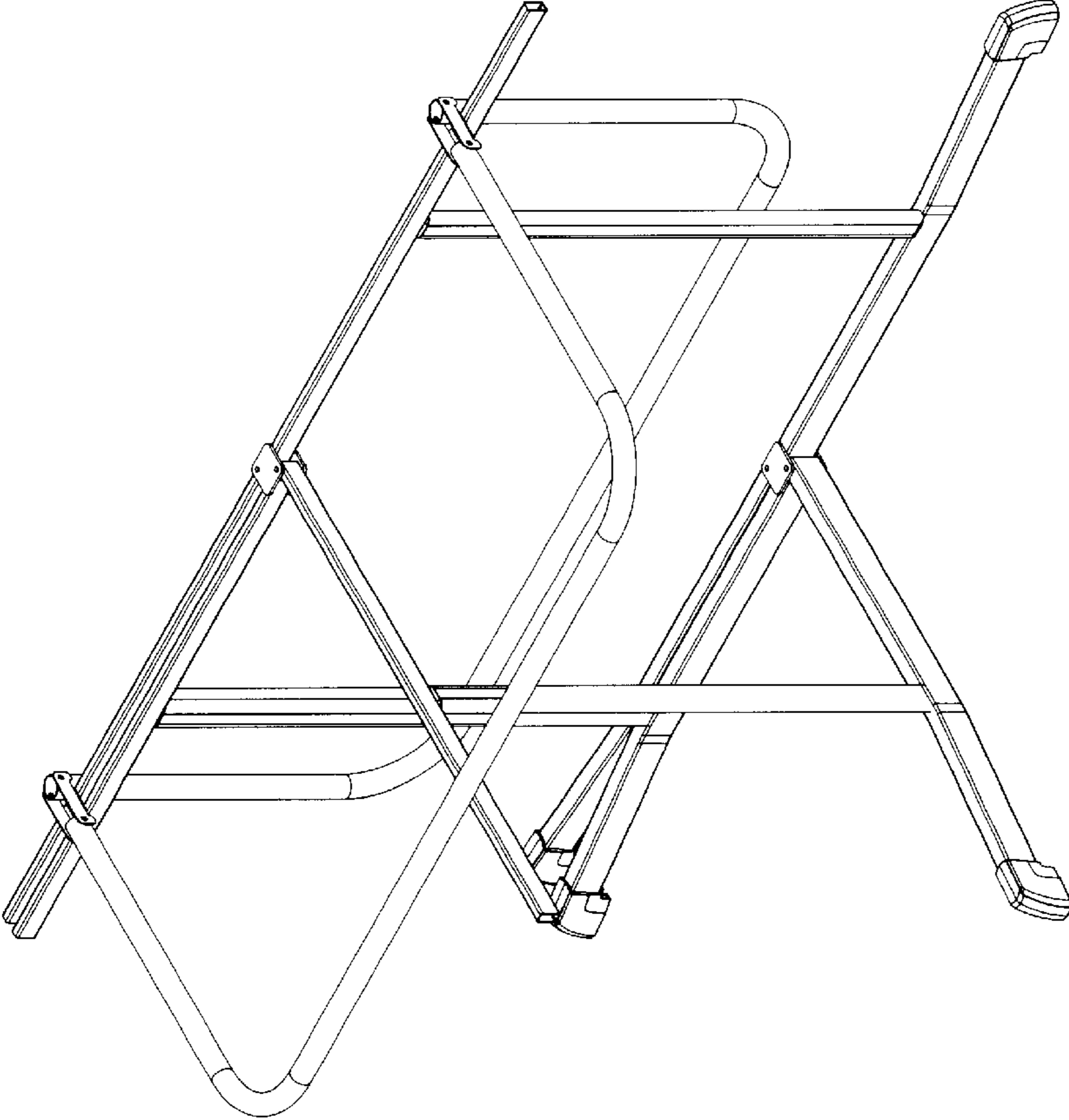


Fig. 5

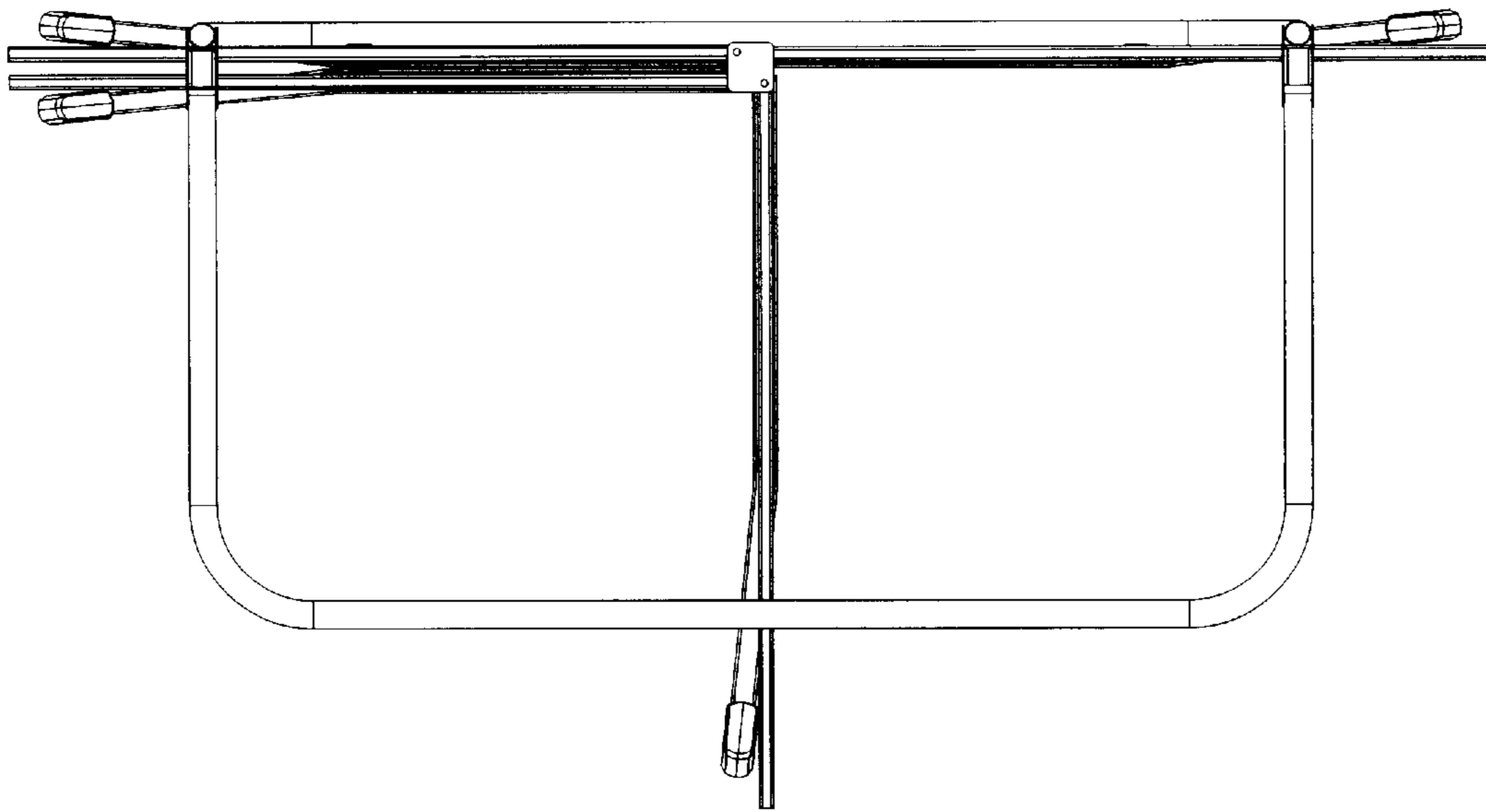


Fig. 7

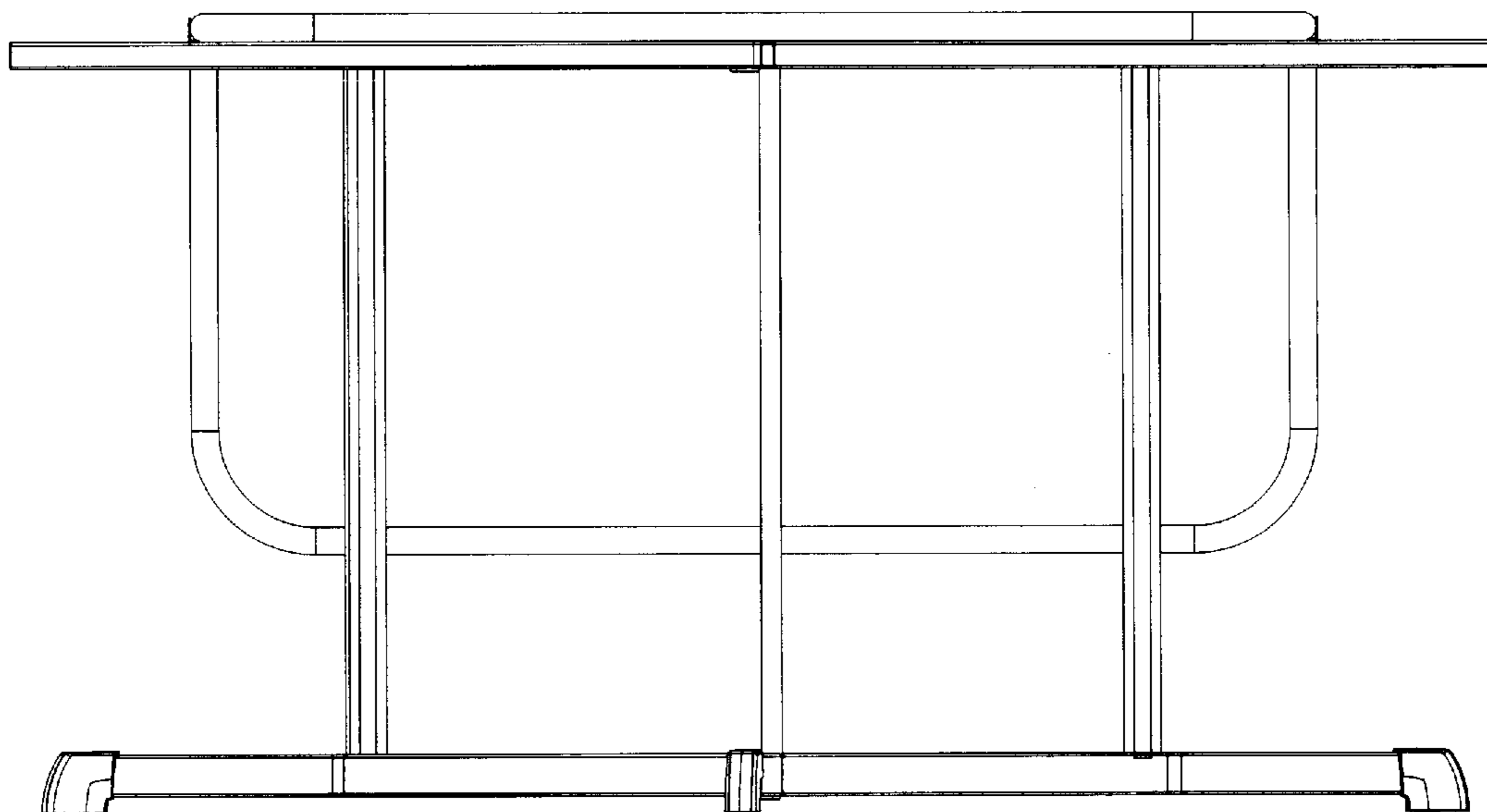


Fig. 8

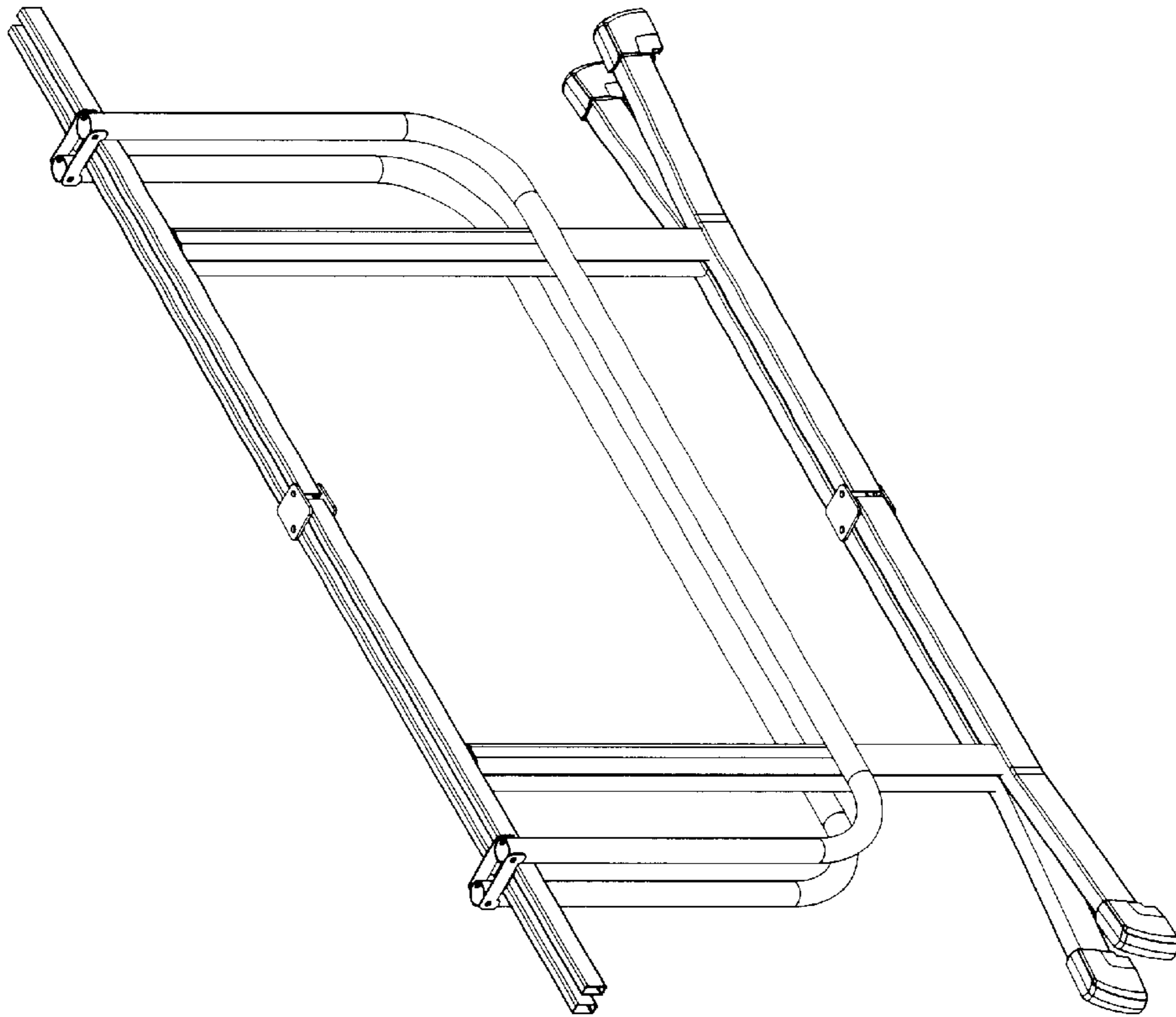


Fig. 10

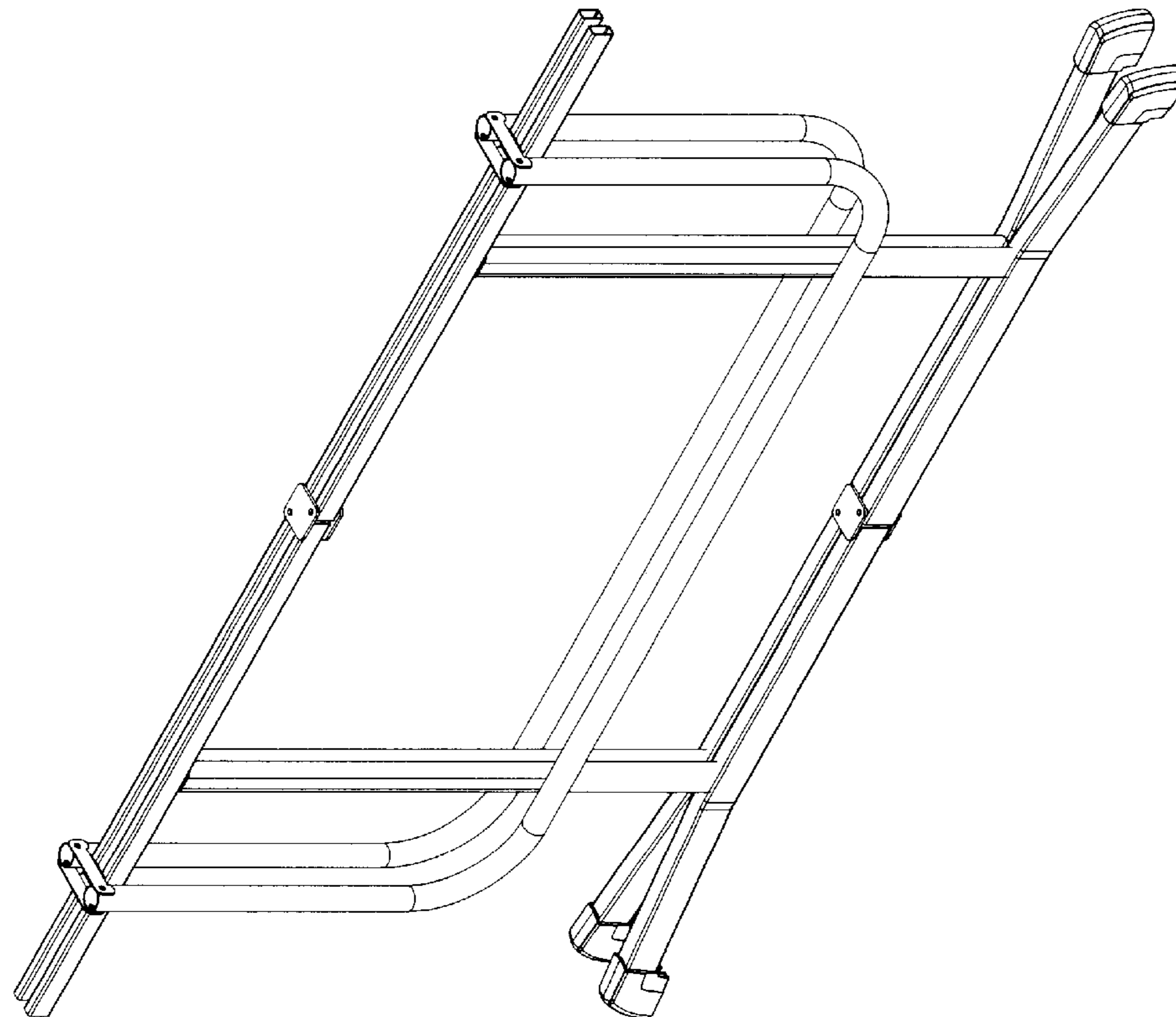


Fig. 9

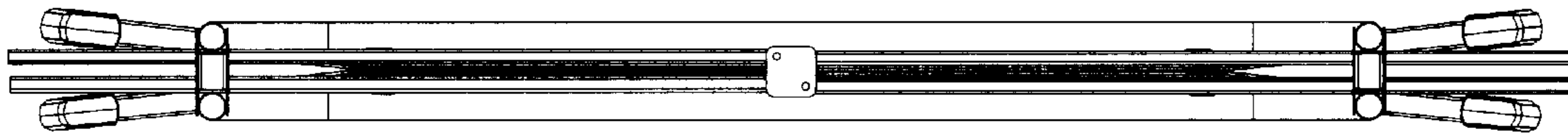


Fig. 11

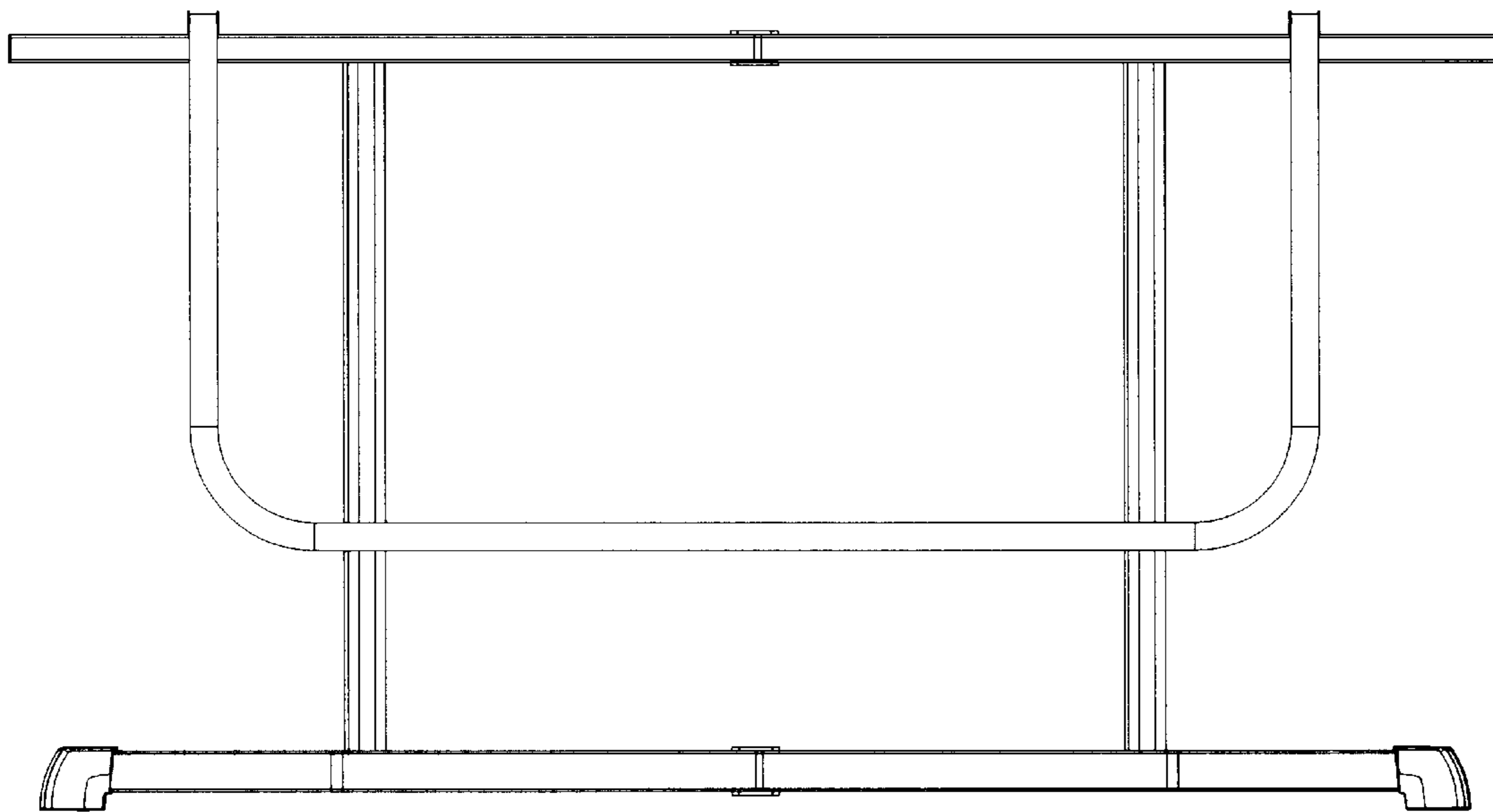


Fig. 12