



US00D511634S

(12) **United States Design Patent**
Bilsland

(10) **Patent No.: US D511,634 S**

(45) **Date of Patent: ** Nov. 22, 2005**

(54) **HANGING FILE FOLDER SUPPORT SYSTEM**

D317,993 S * 7/1991 Grey D6/553
D347,129 S * 5/1994 Zinke et al. D6/468

(75) Inventor: **Enrique Bilsland**, 3852 Delano Ct.,
Simi Valley, CA (US) 93063

* cited by examiner

(73) Assignee: **Enrique Bilsland**, Simi Valley, CA
(US)

Primary Examiner—Janice E. Seeger
Assistant Examiner—Sydney R. Buffalow

(**) Term: **14 Years**

(57) **CLAIM**

(21) Appl. No.: **29/193,279**

The ornamental design for a hanging file folder support system, as shown.

(22) Filed: **Nov. 6, 2003**

DESCRIPTION

(51) **LOC (8) Cl.** **06-04**

(52) **U.S. Cl.** **D6/467**

(58) **Field of Search** D6/408, 411, 459,
D6/450, 456, 462, 467, 468, 469, 466,
465, 479, 475, 476, 510, 511, 517, 627,
629, 630; D14/251, 253; 211/13.1, 85.1,
85.2, 85.6, 26.1, 39-36, 40, 41.1, 41.12,
51, 74, 59.3, 85, 85.18, 85.23, 87.01, 90.01,
164, 199, 119.003

FIG. 1 is a front perspective view of a hanging file folder support system showing my new design;

FIG. 2 is a front elevational view thereof;

FIG. 3 is a rear elevational view thereof;

FIG. 4 is a left side elevational view thereof;

FIG. 5 is a right side elevational view thereof;

FIG. 6 is a top plan view thereof; and,

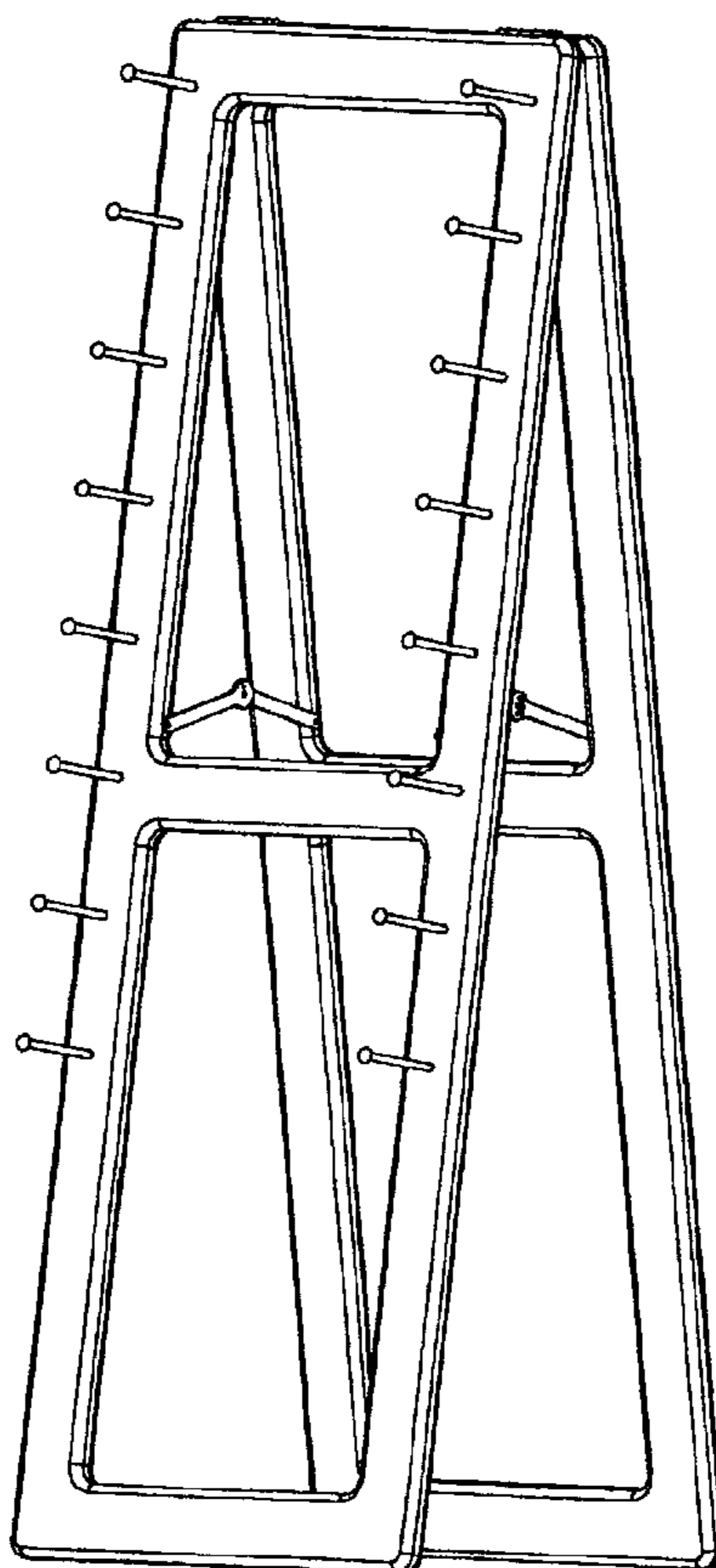
FIG. 7 is a bottom plan view thereof.

(56) **References Cited**

U.S. PATENT DOCUMENTS

635,553 A * 10/1899 Kippels 211/199

1 Claim, 7 Drawing Sheets



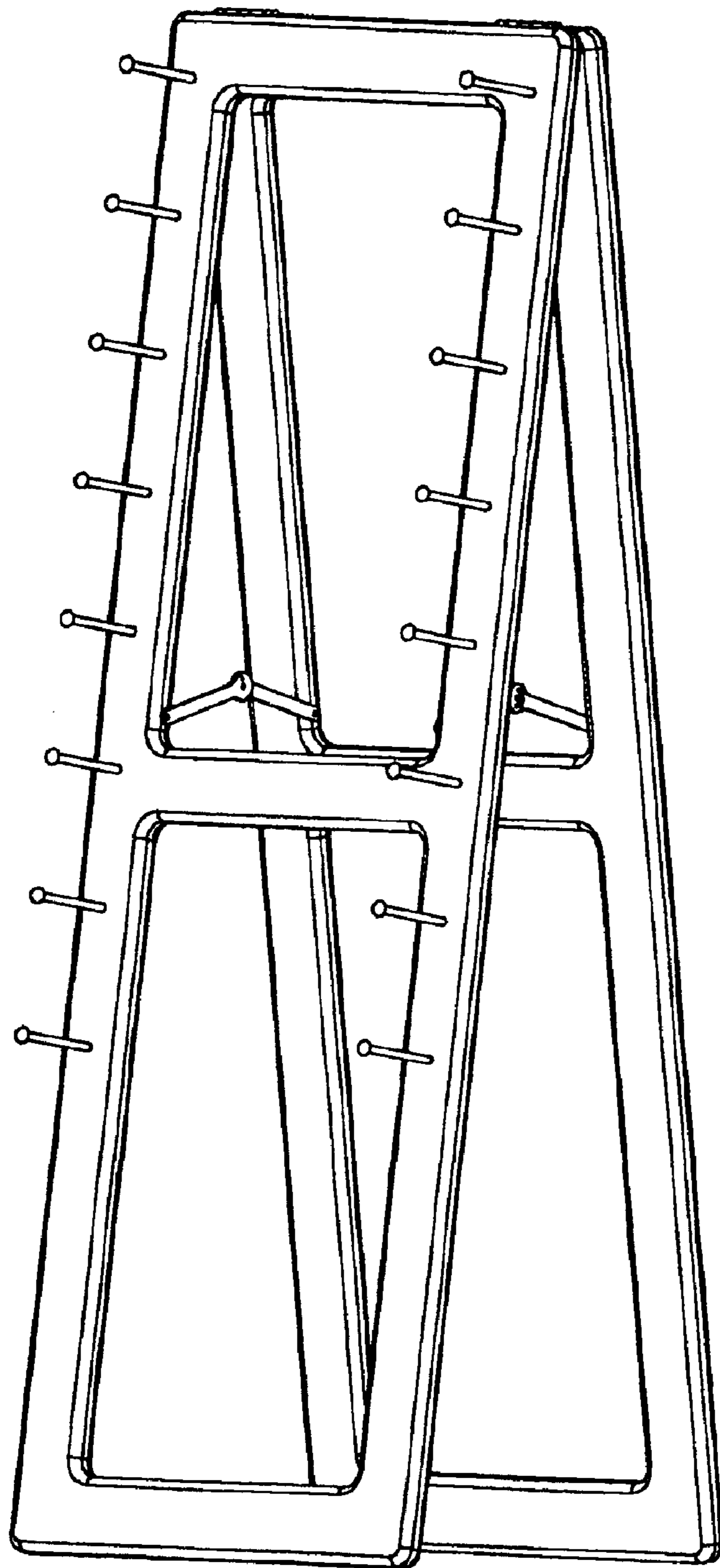


FIG. 1

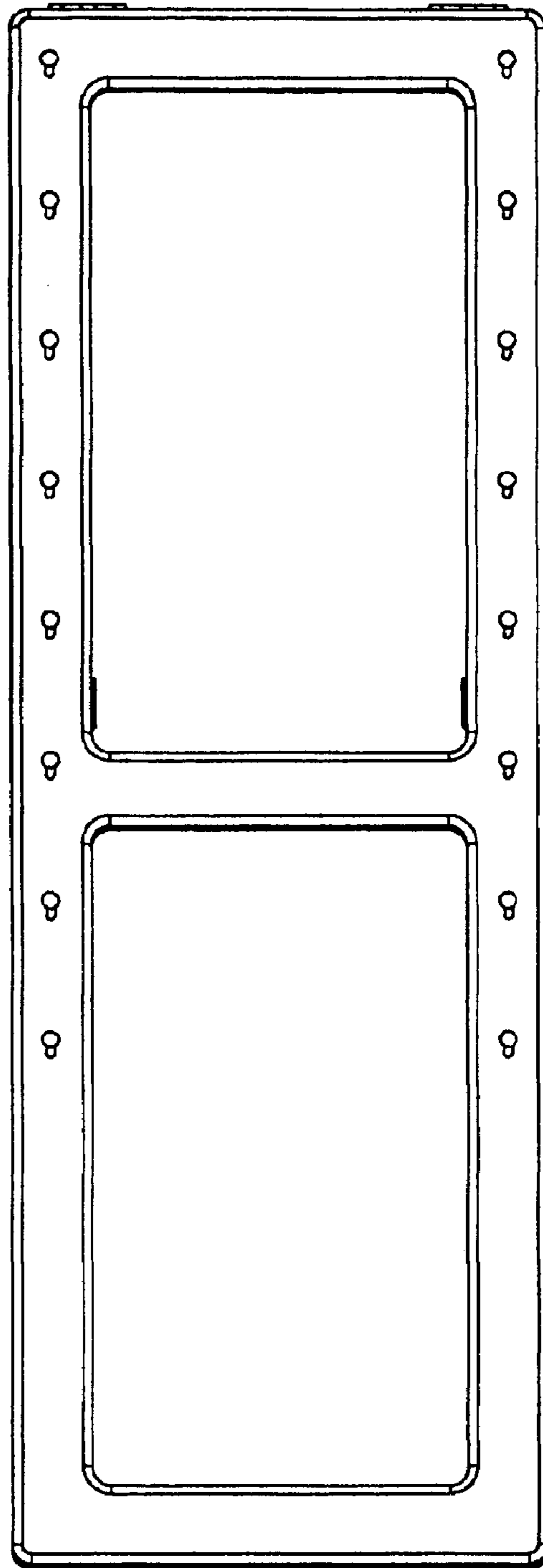


FIG. 2

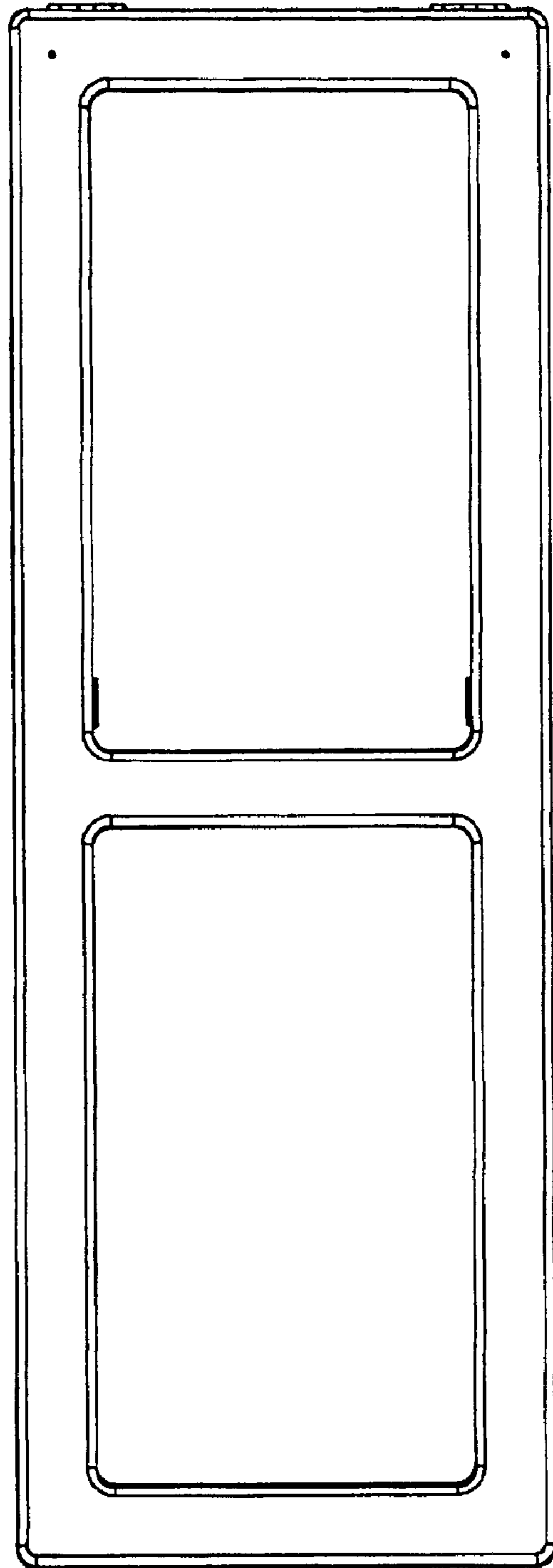


FIG. 3

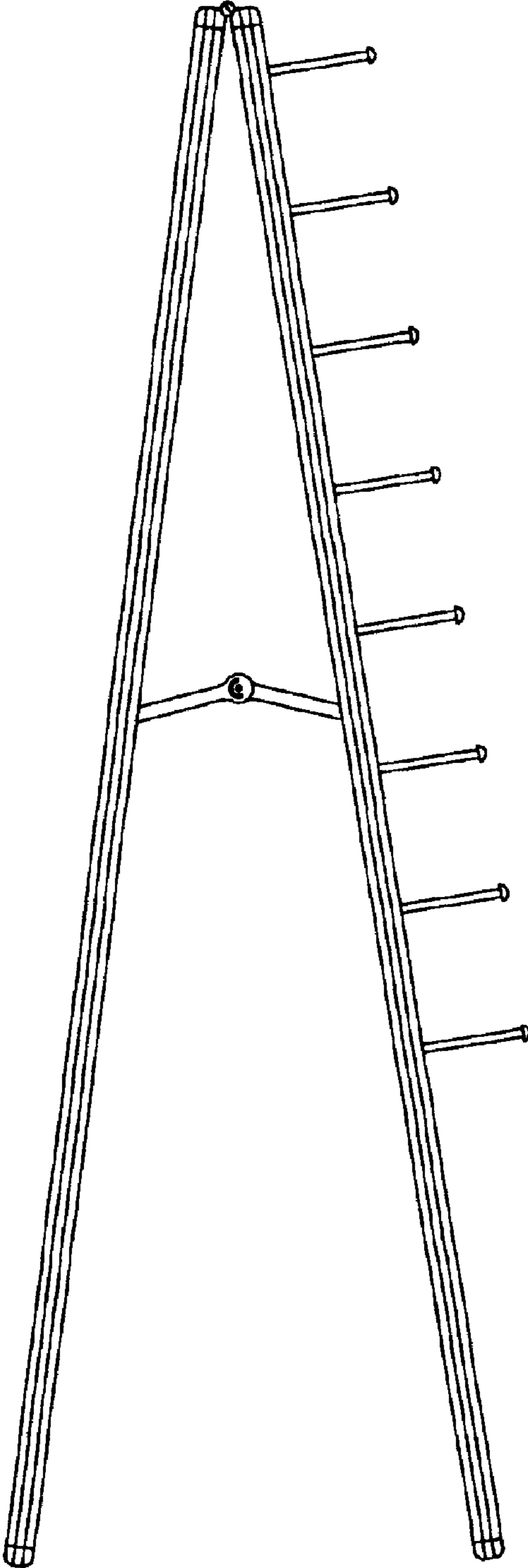


FIG. 4

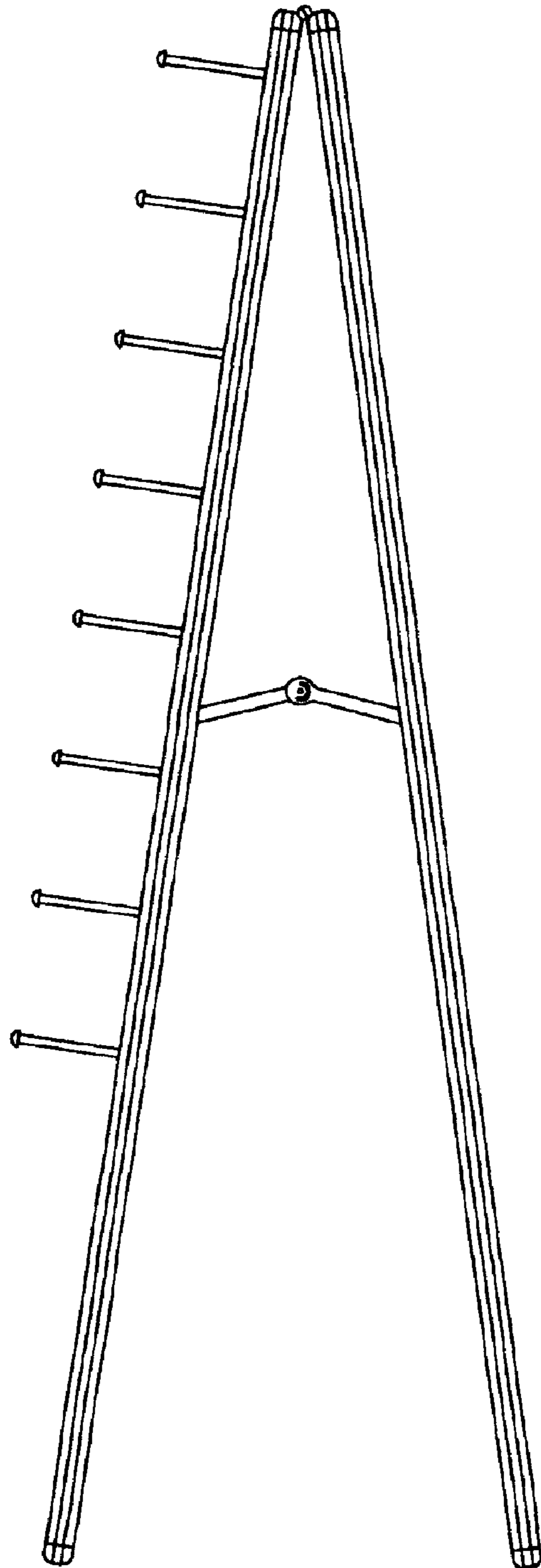


FIG. 5

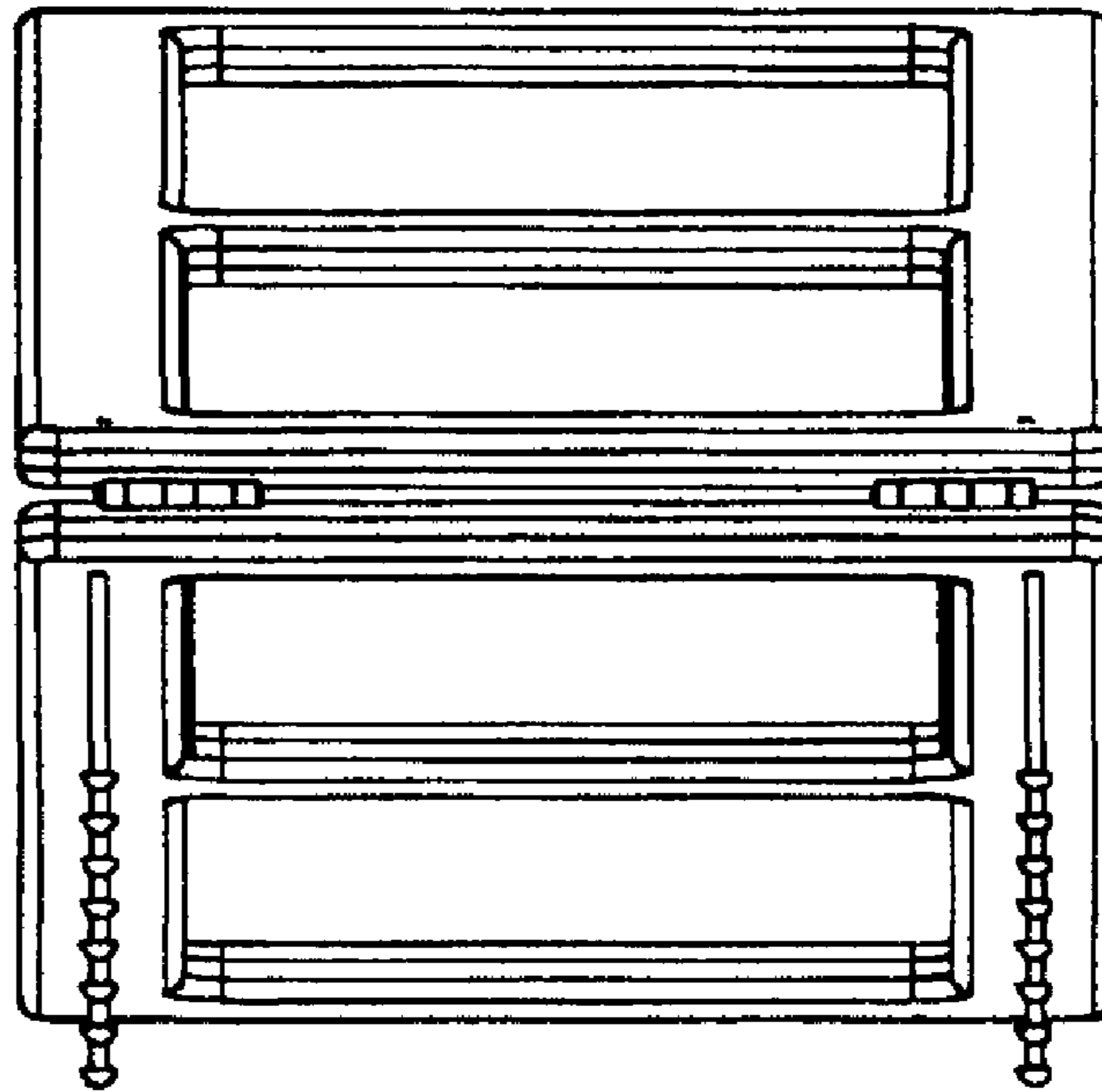


FIG. 6

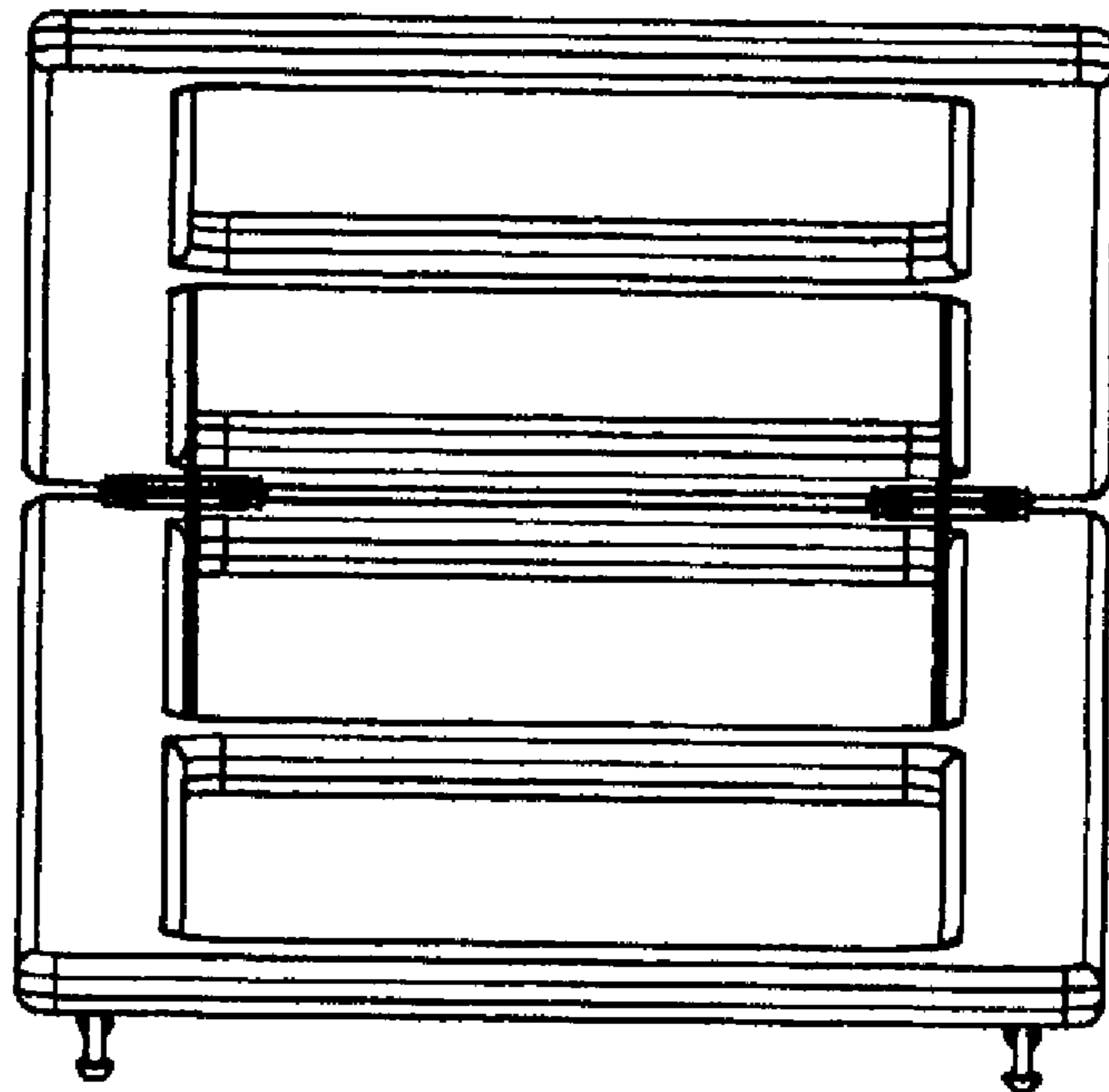


FIG. 7