



US00D511632S

(12) **United States Design Patent**  
**Lown**

(10) **Patent No.: US D511,632 S**

(45) **Date of Patent: \*\* Nov. 22, 2005**

(54) **STACKABLE TRAY ASSEMBLY**

(75) **Inventor: John M. Lown, Huntington Beach, CA (US)**

(73) **Assignee: Snapware Corporation, Fullerton, CA (US)**

(\*\*) **Term: 14 Years**

(21) **Appl. No.: 29/197,784**

(22) **Filed: Jan. 20, 2004**

(51) **LOC (8) Cl. .... 06-04**

(52) **U.S. Cl. .... D6/440; D6/445; D3/276; D3/302**

(58) **Field of Search ..... D6/396, 432, 440, D6/441, 445, 446, 448; 312/244, 348.3; 220/4.27, 533; 206/508, 512; D3/276, 297, 302**

(56) **References Cited**

**U.S. PATENT DOCUMENTS**

3,330,608 A 7/1967 Druger, Jr.  
3,339,725 A 9/1967 Hamilton

3,811,559 A 5/1974 Carter  
4,619,363 A 10/1986 Wolfseder  
D385,722 S \* 11/1997 Yemini ..... D6/445  
D386,626 S \* 11/1997 Yemini ..... D6/445  
D394,562 S \* 5/1998 Di Blasi ..... D6/446  
D398,168 S \* 9/1998 Yemini ..... D6/445  
D424,297 S \* 5/2000 Story et al. .... D3/276  
D435,180 S \* 12/2000 Richard ..... D6/445  
6,273,258 B1 8/2001 Piacenza

\* cited by examiner

*Primary Examiner*—Cathron C. Brooks

(74) *Attorney, Agent, or Firm*—Harold L. Jackson

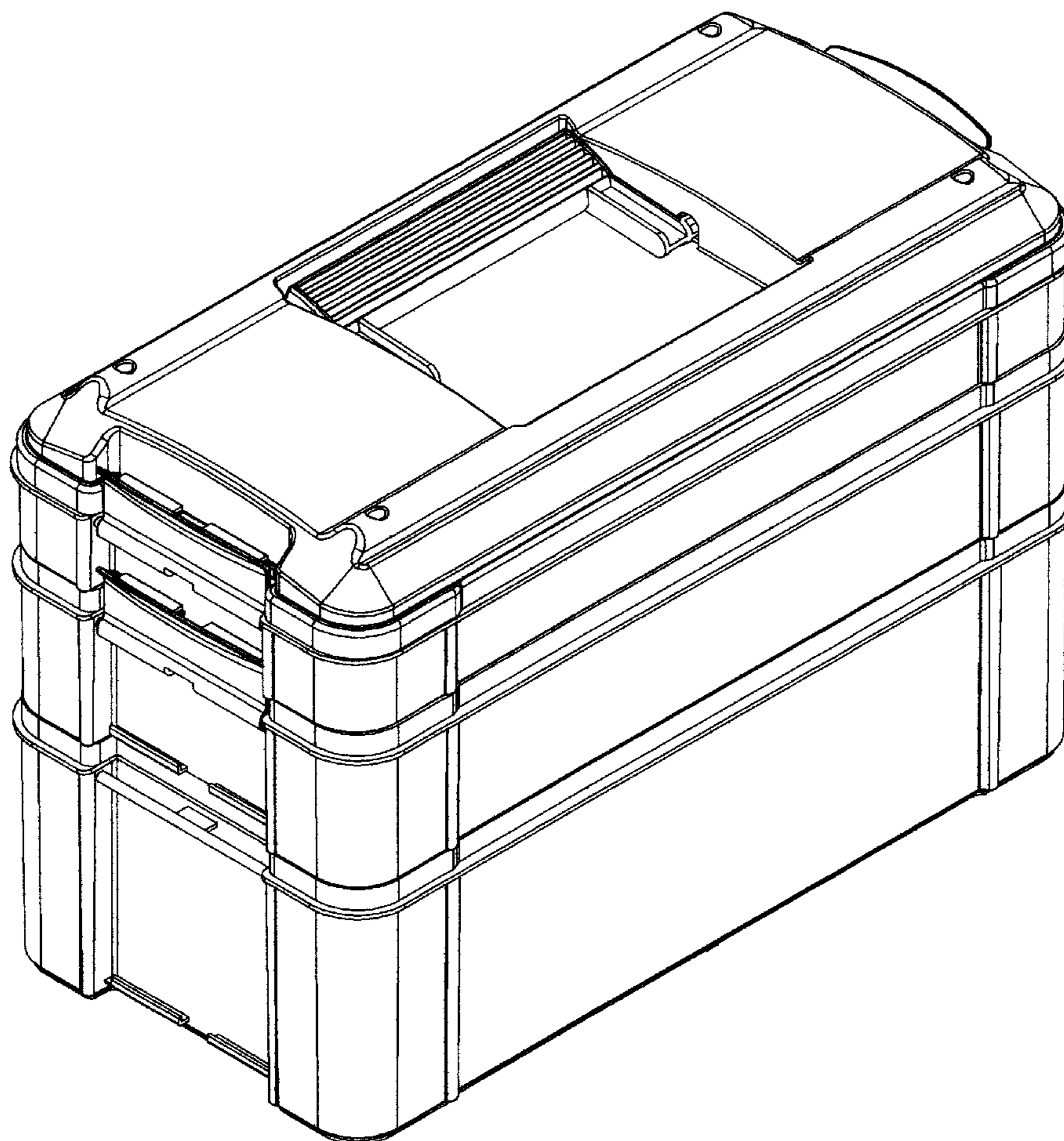
(57) **CLAIM**

The ornamental design for a stackable tray assembly, as shown and described.

**DESCRIPTION**

FIG. 1 is a perspective view of the stackable tray assembly; FIG. 2 is a side elevational view thereof; FIG. 3 is a front elevational view thereof; and, FIG. 4 is an exploded view, showing the individual trays and cover of the stackable tray assembly.

**1 Claim, 4 Drawing Sheets**



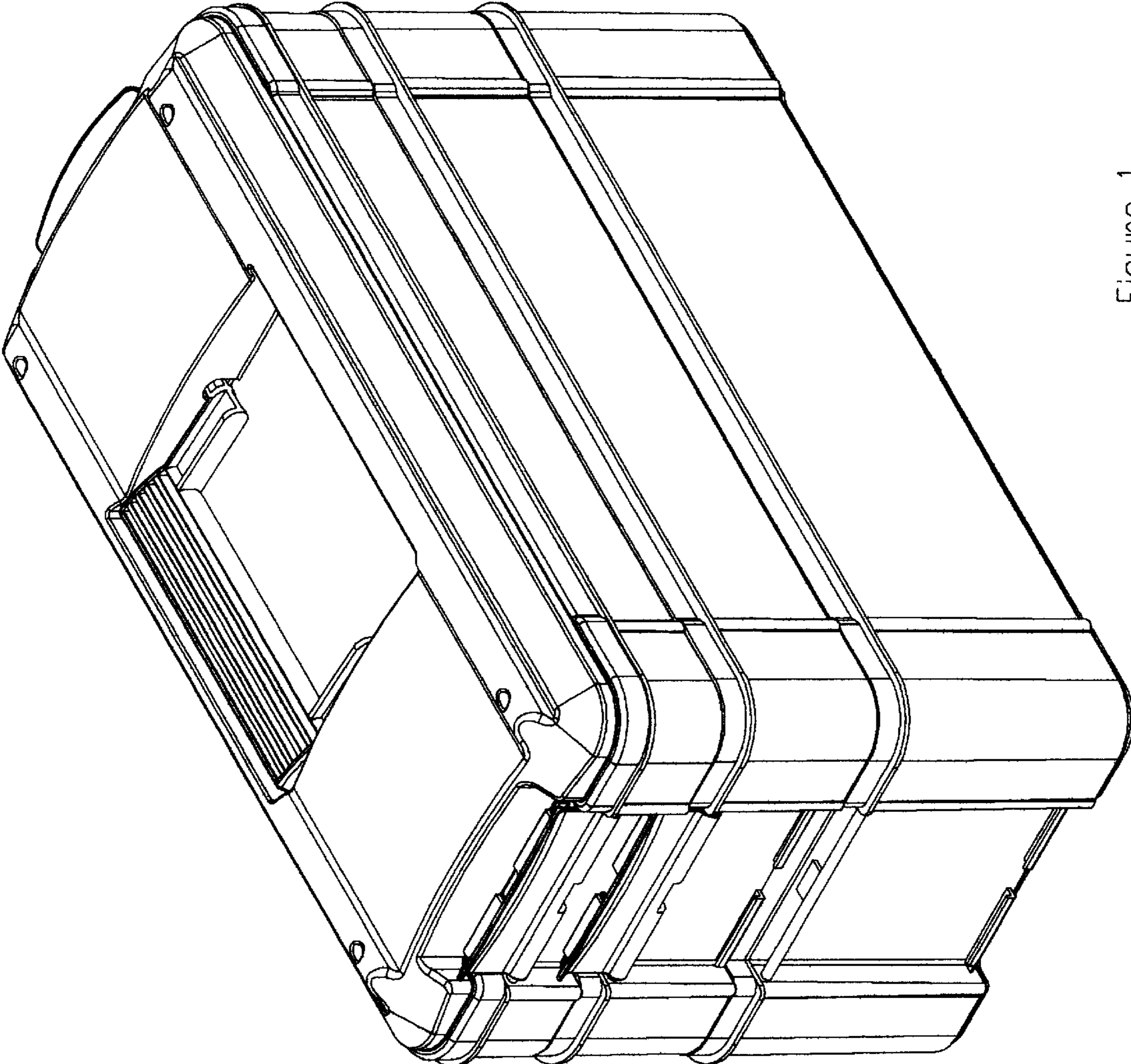


Figure 1

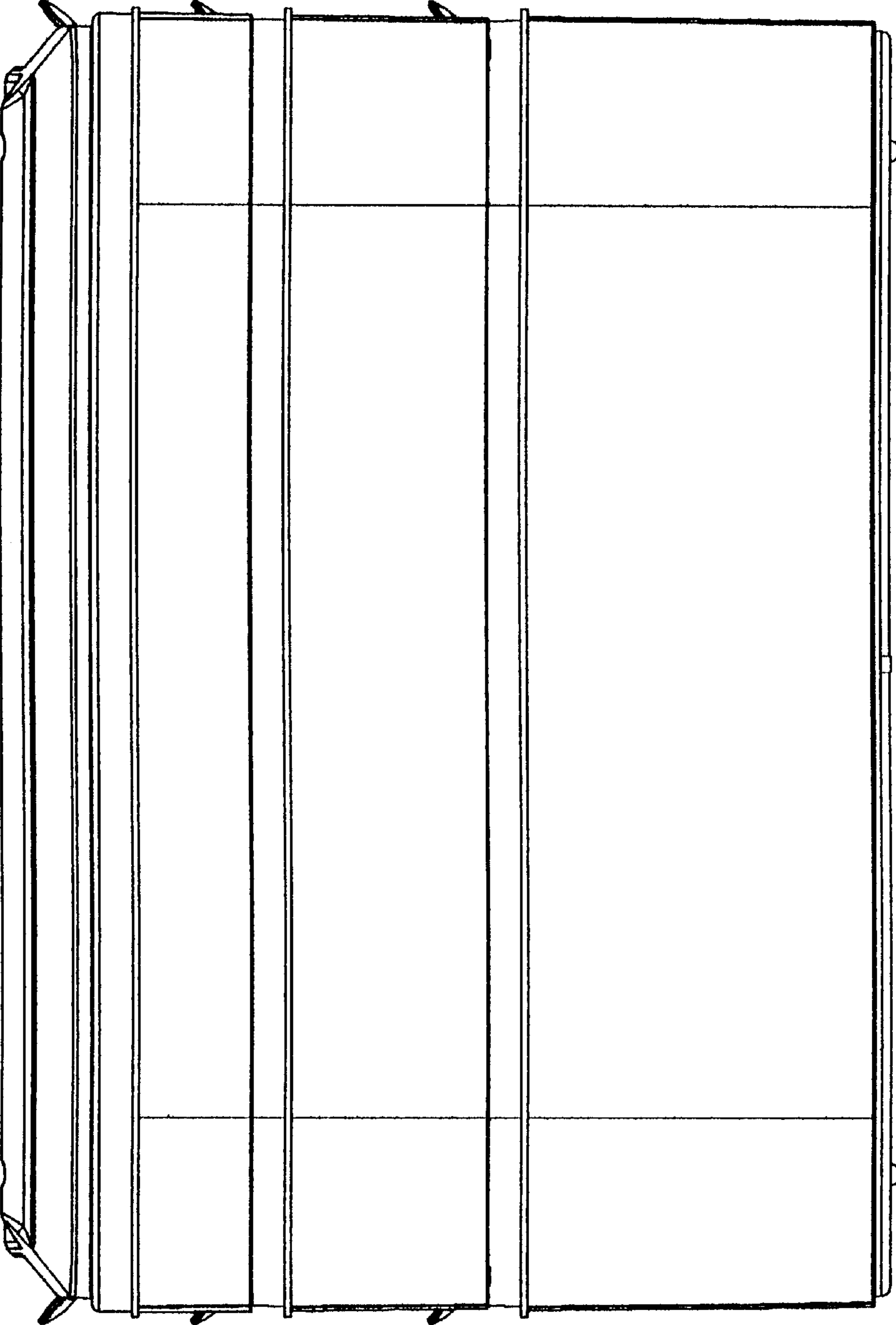


Figure 2

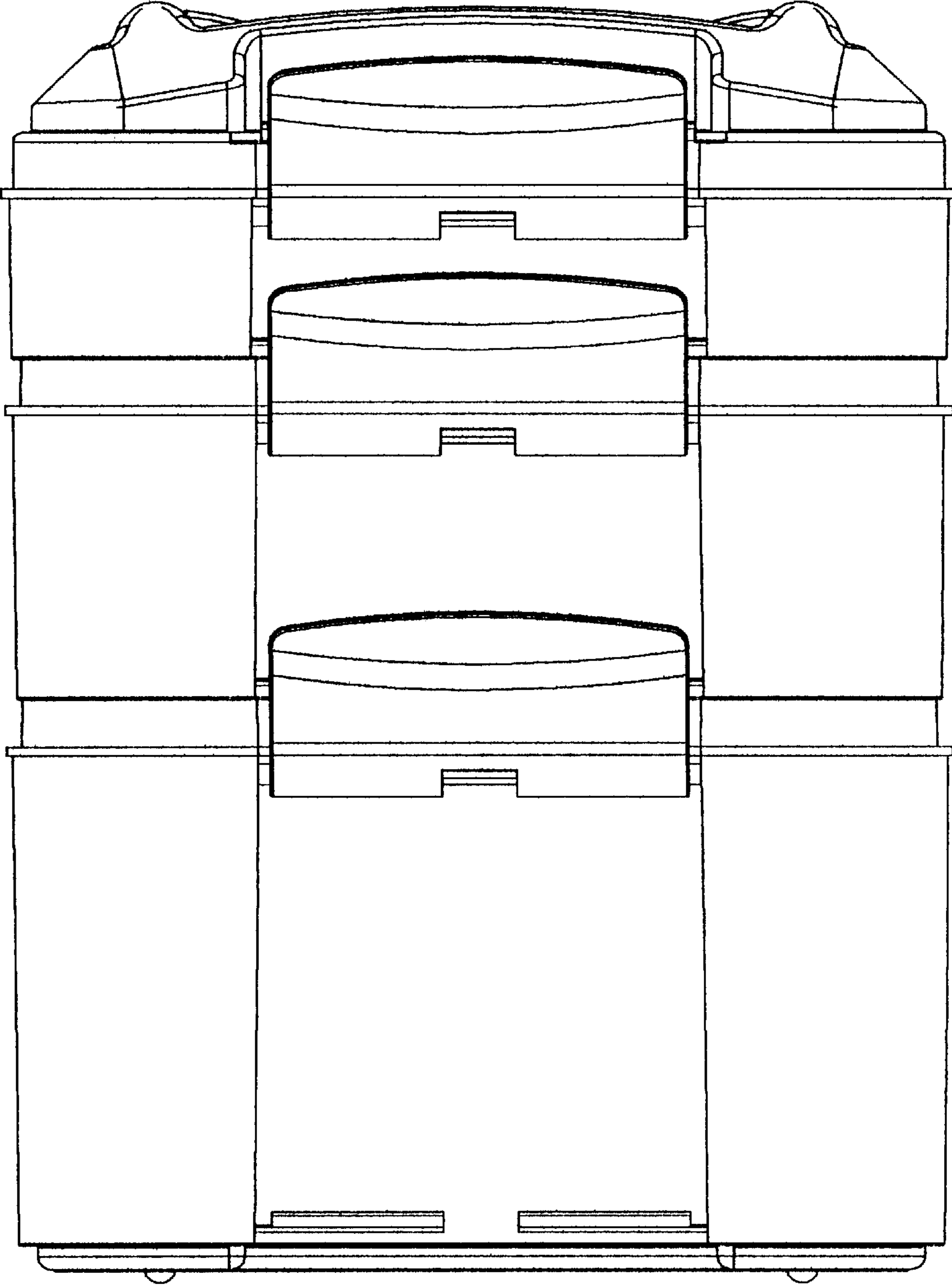


Figure 3

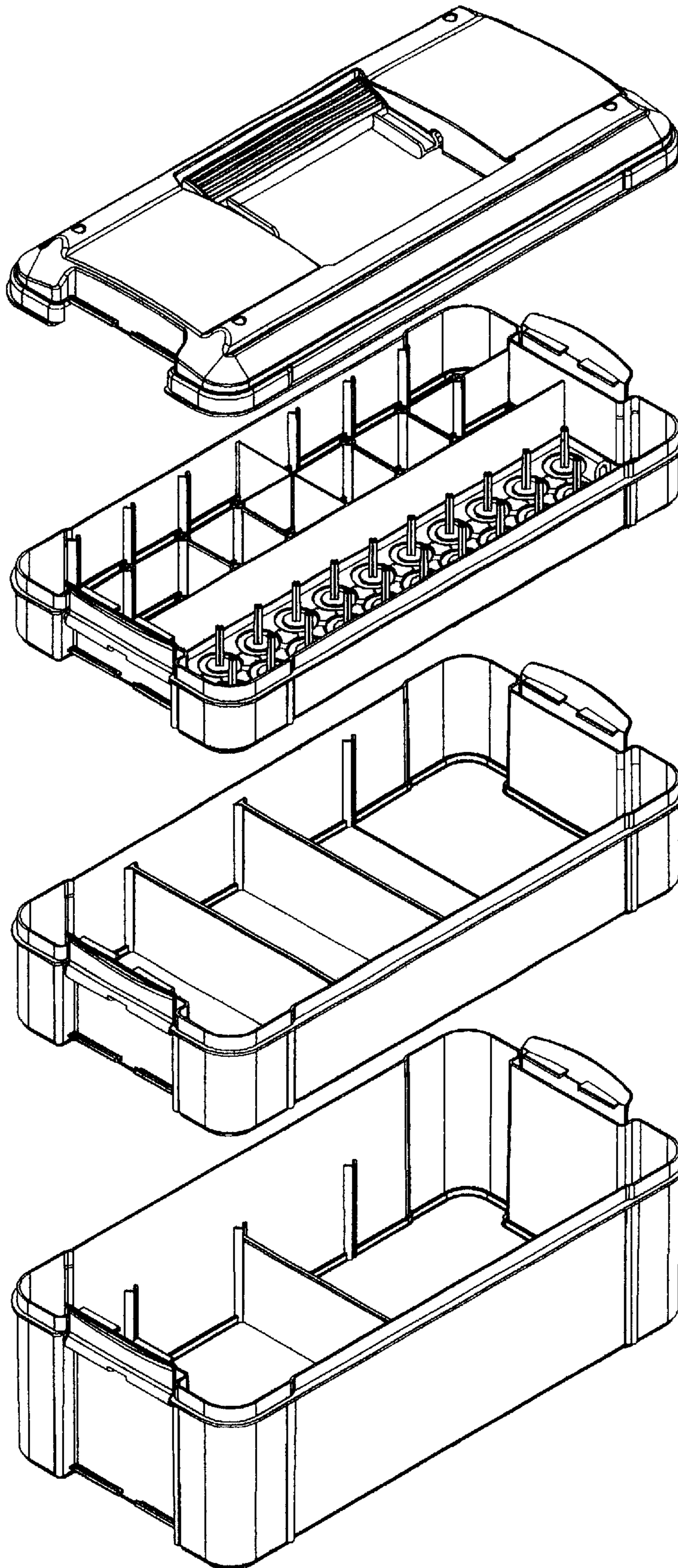


Figure 4