



US00D511627S

(12) **United States Design Patent**  
**Mohundro**

(10) **Patent No.:** **US D511,627 S**

(45) **Date of Patent:** **\*\* Nov. 22, 2005**

(54) **MIRROR**

D498,364 S \* 11/2004 Mohundro ..... D6/300  
D504,237 S \* 4/2005 Mohundro ..... D6/300

(76) **Inventor:** **James Glenn Mohundro**, 3F-4 No.  
161, Kung-I Road, Taichung (TW), 403

\* cited by examiner

(\*\*) **Term:** **14 Years**

*Primary Examiner*—Janice E. Seeger  
*Assistant Examiner*—Sydney R. Buffalow  
(74) *Attorney, Agent, or Firm*—Bacon & Thomas PLLC

(21) **Appl. No.:** **29/218,779**

(22) **Filed:** **Dec. 8, 2004**

(57) **CLAIM**

The ornamental design for a mirror, as shown and described.

(51) **LOC (8) Cl.** ..... **06-07**

(52) **U.S. Cl.** ..... **D6/300**

(58) **Field of Search** ..... D6/300–314, 444;  
40/700, 711, 719, 714–716, 720–722, 735,  
738, 597, 744, 745, 754, 765, 768, 769,  
790, 798; D20/29–32, 10; 248/466–467;  
D11/131, 133–135; 359/838, 871–872

**DESCRIPTION**

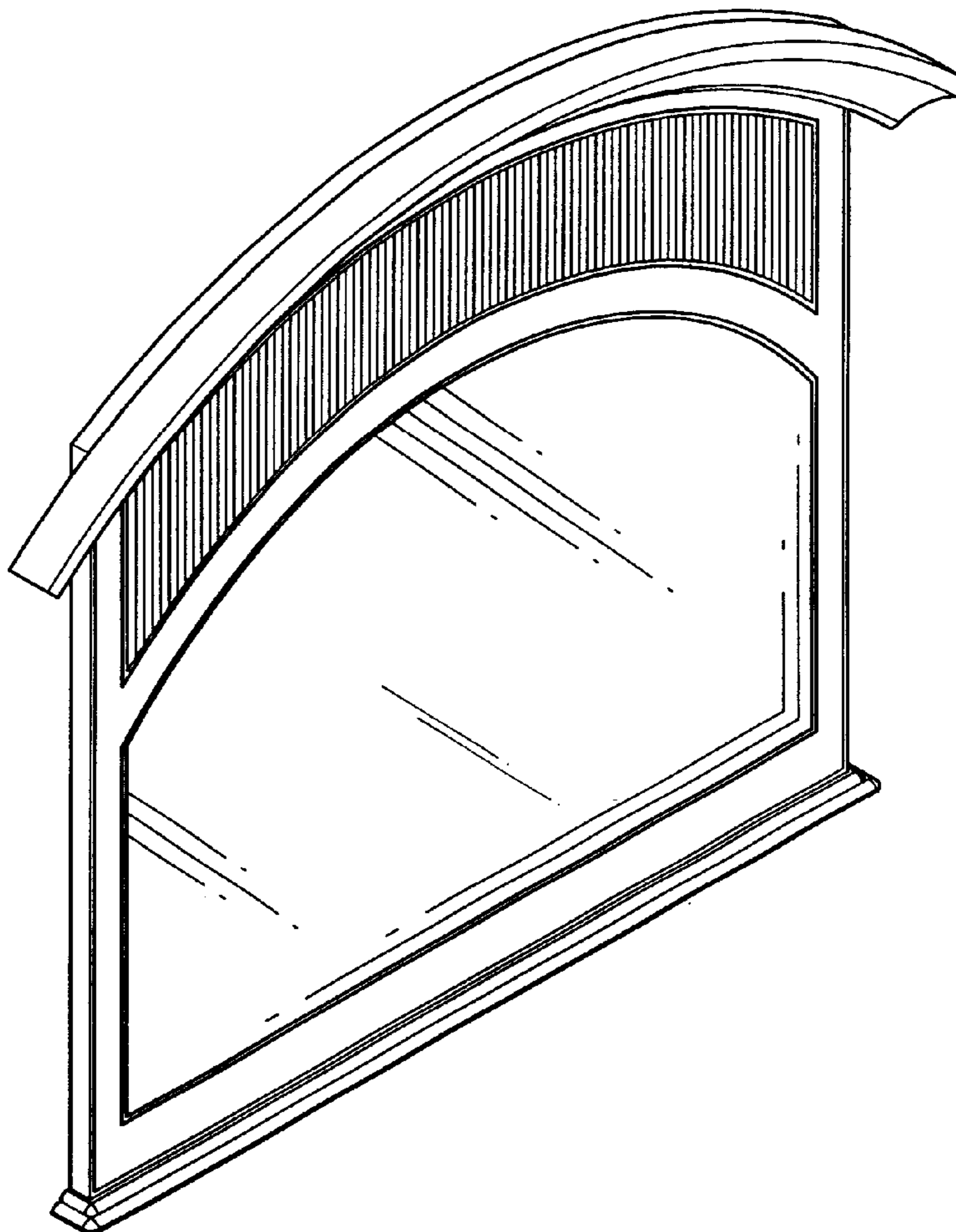
FIG. 1 is a perspective view of a mirror, showing my new design;  
FIG. 2 is a front elevational view thereof;  
FIG. 3 is a rear elevational view thereof;  
FIG. 4 is a left elevational view thereof; and  
FIG. 5 is a right elevational view thereof;  
FIG. 6 is a top plan view thereof; and,  
FIG. 7 is a bottom plan view thereof.

(56) **References Cited**

**U.S. PATENT DOCUMENTS**

D374,568 S \* 10/1996 Paus ..... D6/444  
D404,223 S \* 1/1999 Bargagli-Stoffi ..... D6/444

**1 Claim, 5 Drawing Sheets**



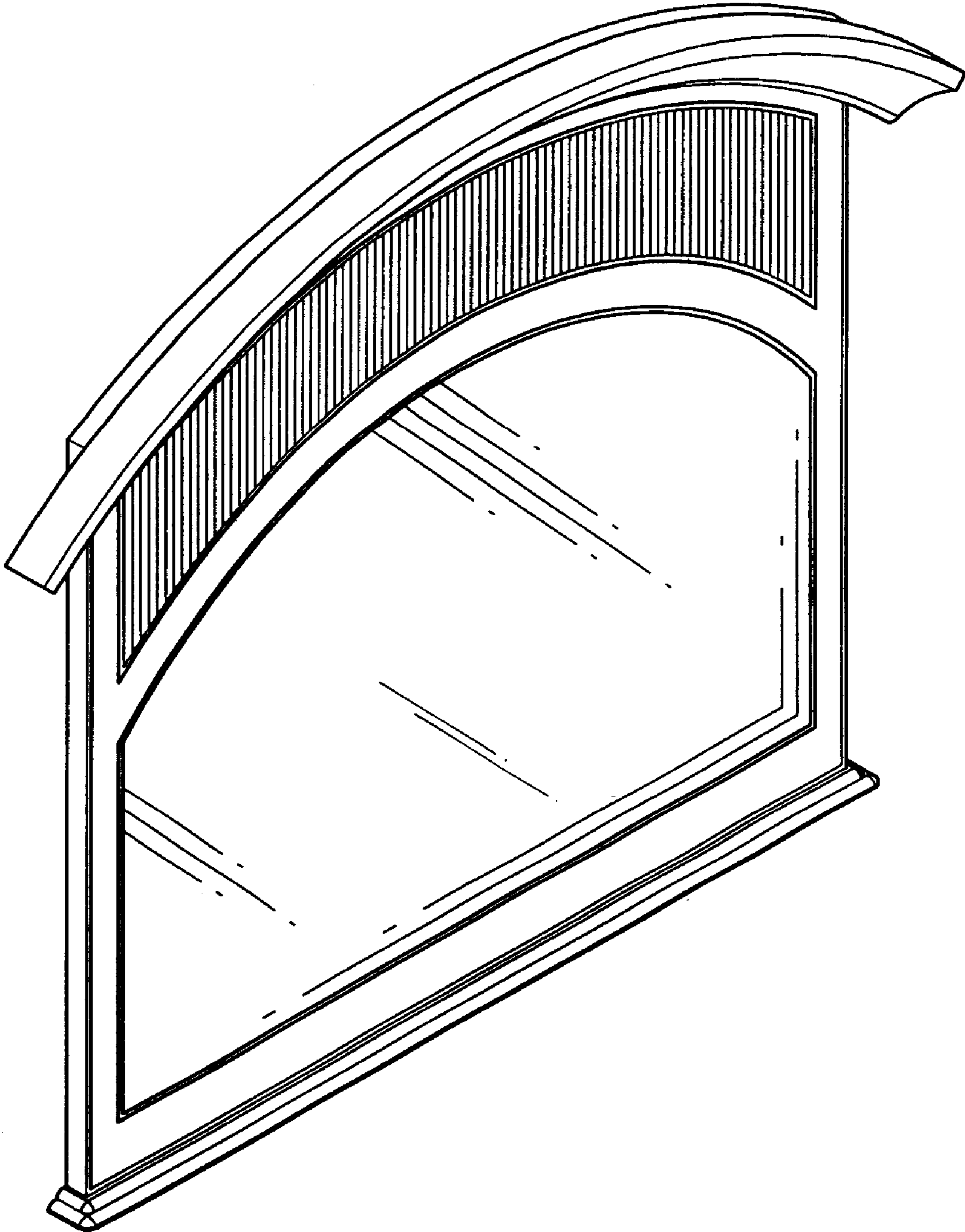


FIG.1

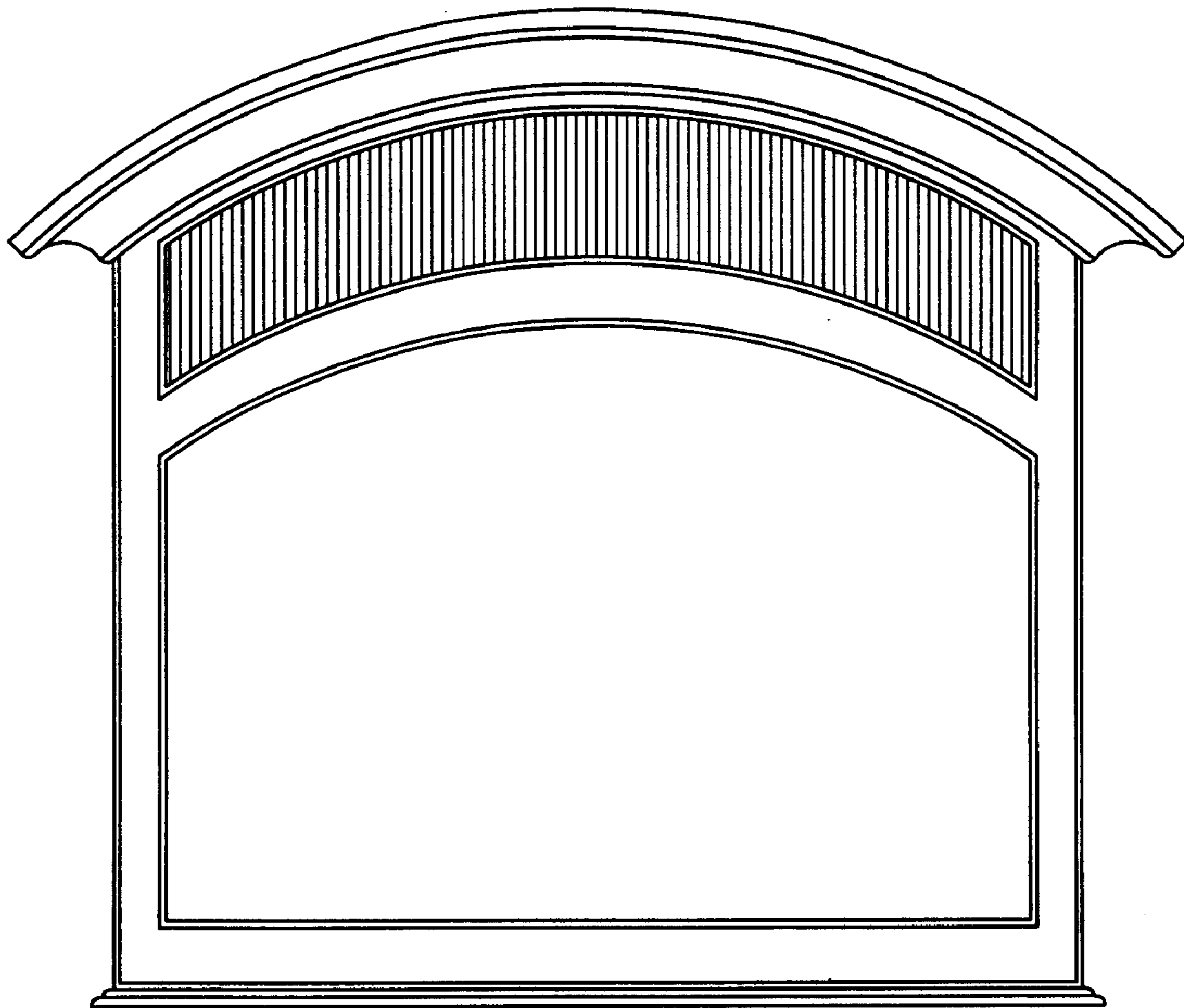


FIG.2

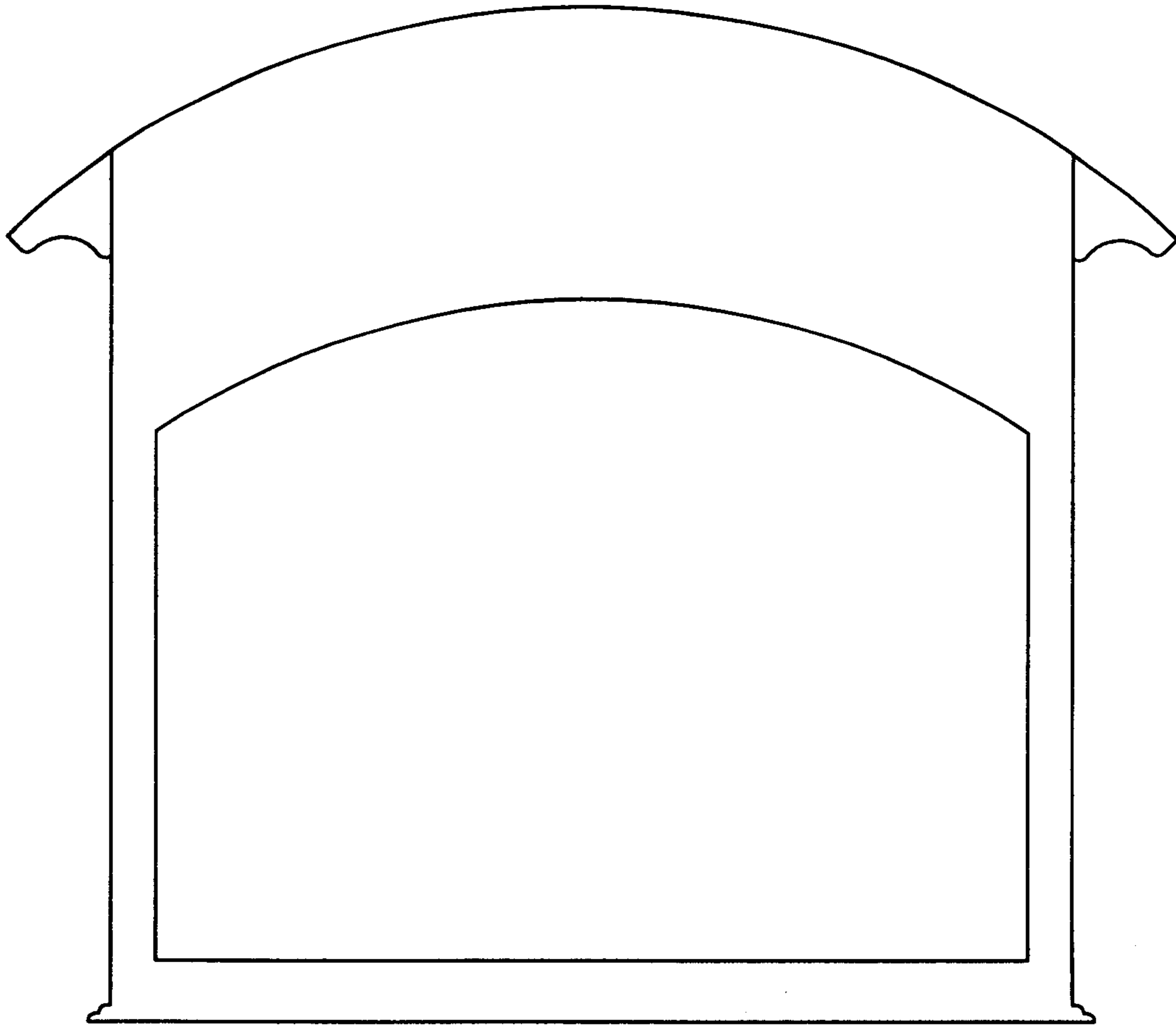


FIG.3



FIG.4

FIG.5

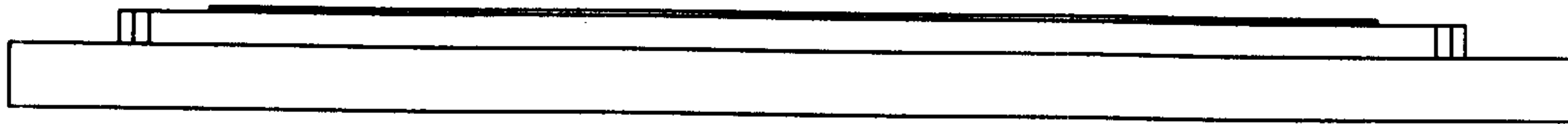


FIG.6

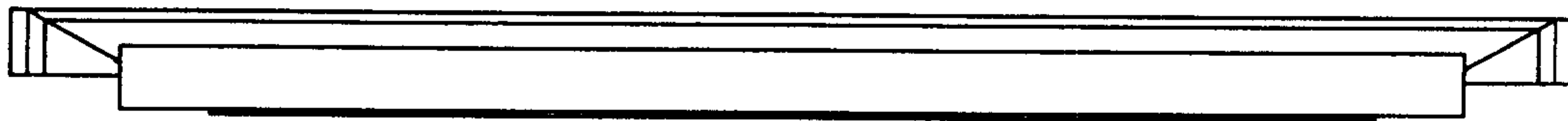


FIG.7