



US00D511625S

(12) **United States Design Patent**
Greene

(10) **Patent No.:** **US D511,625 S**

(45) **Date of Patent:** **** Nov. 22, 2005**

(54) **ORGANIZER FOR TOOL BOX**

(75) Inventor: **Michael Greene**, Reno, NV (US)

(73) Assignee: **Thinking Outside, L.L.C.**, Detroit, MI (US)

(**) Term: **14 Years**

(21) Appl. No.: **29/204,005**

(22) Filed: **Apr. 21, 2004**

(51) **LOC (8) Cl.** **03-01**

(52) **U.S. Cl.** **D3/295; D9/905**

(58) **Field of Search** D3/273, 201, 205,
D3/206, 294, 295, 284, 260, 905; D9/420,
423; 206/349, 372, 373, 378, 379; 220/835,
810, 825, 834, 833; 312/902

(56) **References Cited**

U.S. PATENT DOCUMENTS

5,114,007	A	*	5/1992	Chen	206/373
D373,901	S	*	9/1996	Bergstedt	D3/294
D374,988	S	*	10/1996	Hillinger	D3/294
D394,955	S	*	6/1998	Dickinson et al.	D3/281
5,826,718	A	*	10/1998	Ahern et al.	206/372
5,957,286	A	*	9/1999	Ho	206/373
D417,956	S	*	12/1999	Story et al.	D3/295
D424,297	S	*	5/2000	Story et al.	D3/281

D446,651	S	*	8/2001	Liao	D3/284
D466,296	S	*	12/2002	Hellenberg-Hubar	D3/295
D475,853	S	*	6/2003	Chen	D3/294
D477,464	S	*	7/2003	Cang	D3/295

* cited by examiner

Primary Examiner—Philip S. Hyder

(74) *Attorney, Agent, or Firm*—Townsend and Townsend and Crew LLP

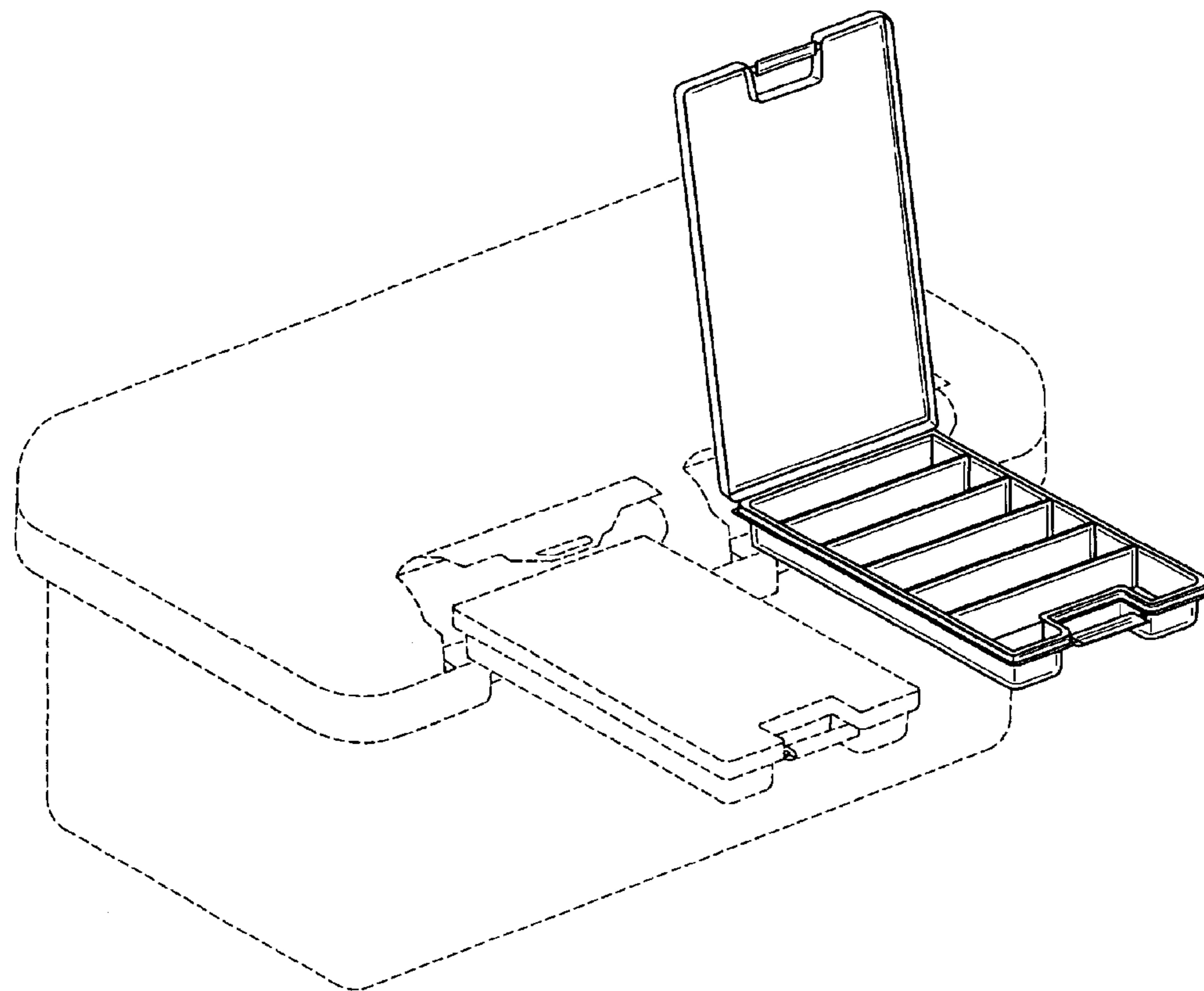
(57) **CLAIM**

The ornamental design for organizer for tool box, as shown and described.

DESCRIPTION

FIG. 1 is a perspective view of an organizer for tool box showing my new design;
 FIG. 2 is a front elevational view thereof;
 FIG. 3 is a top plan view thereof;
 FIG. 4 is a left side elevational view, the right side elevational view being a mirror image thereof;
 FIG. 5 is a rear elevational view thereof; and,
 FIG. 6 is another perspective view showing the organizer for tool box in an open position.
 Phantom lining, where utilized, is for illustrative purposes only, and is not intended to limit the claimed component design to the features shown in phantom.

1 Claim, 4 Drawing Sheets



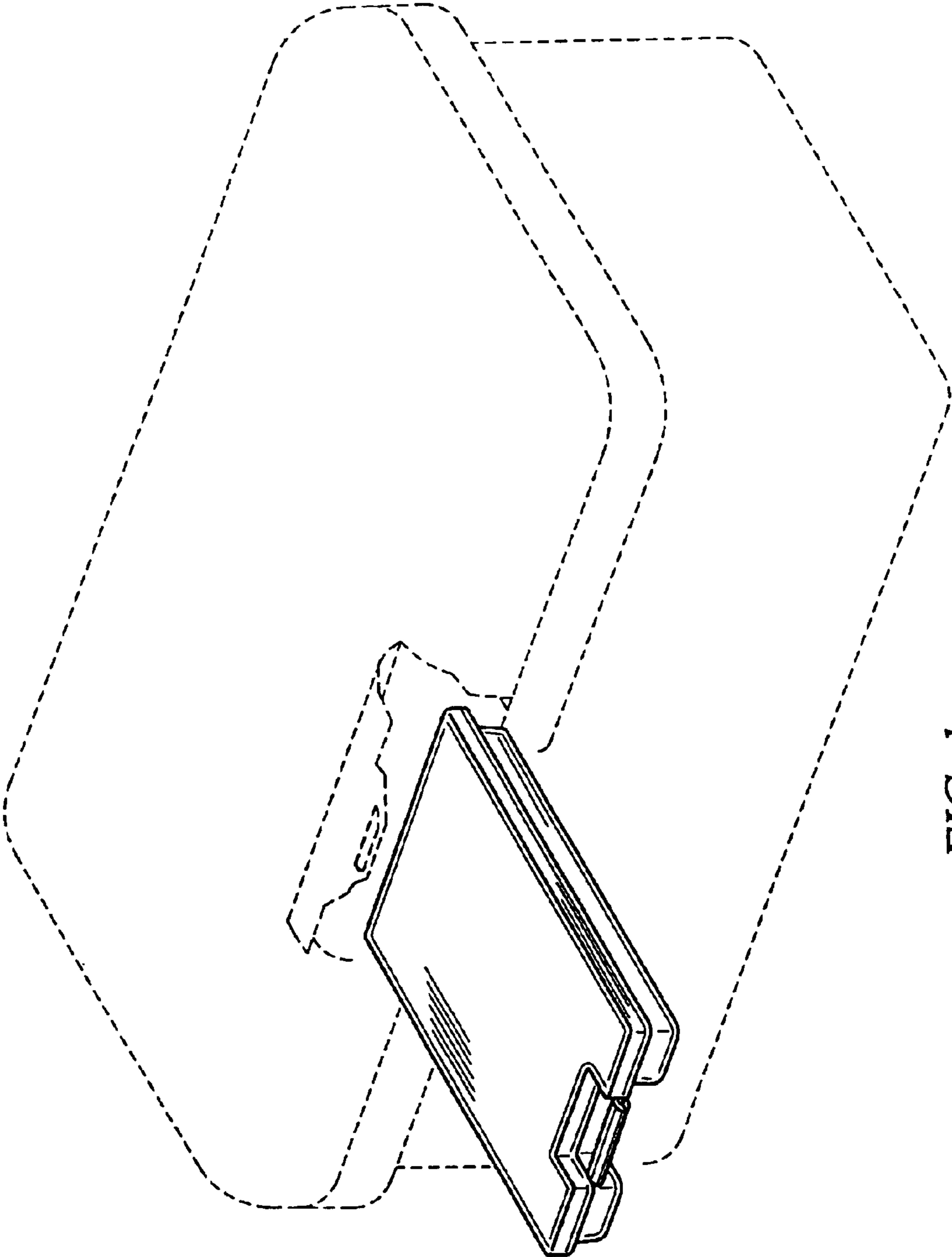


FIG. 1

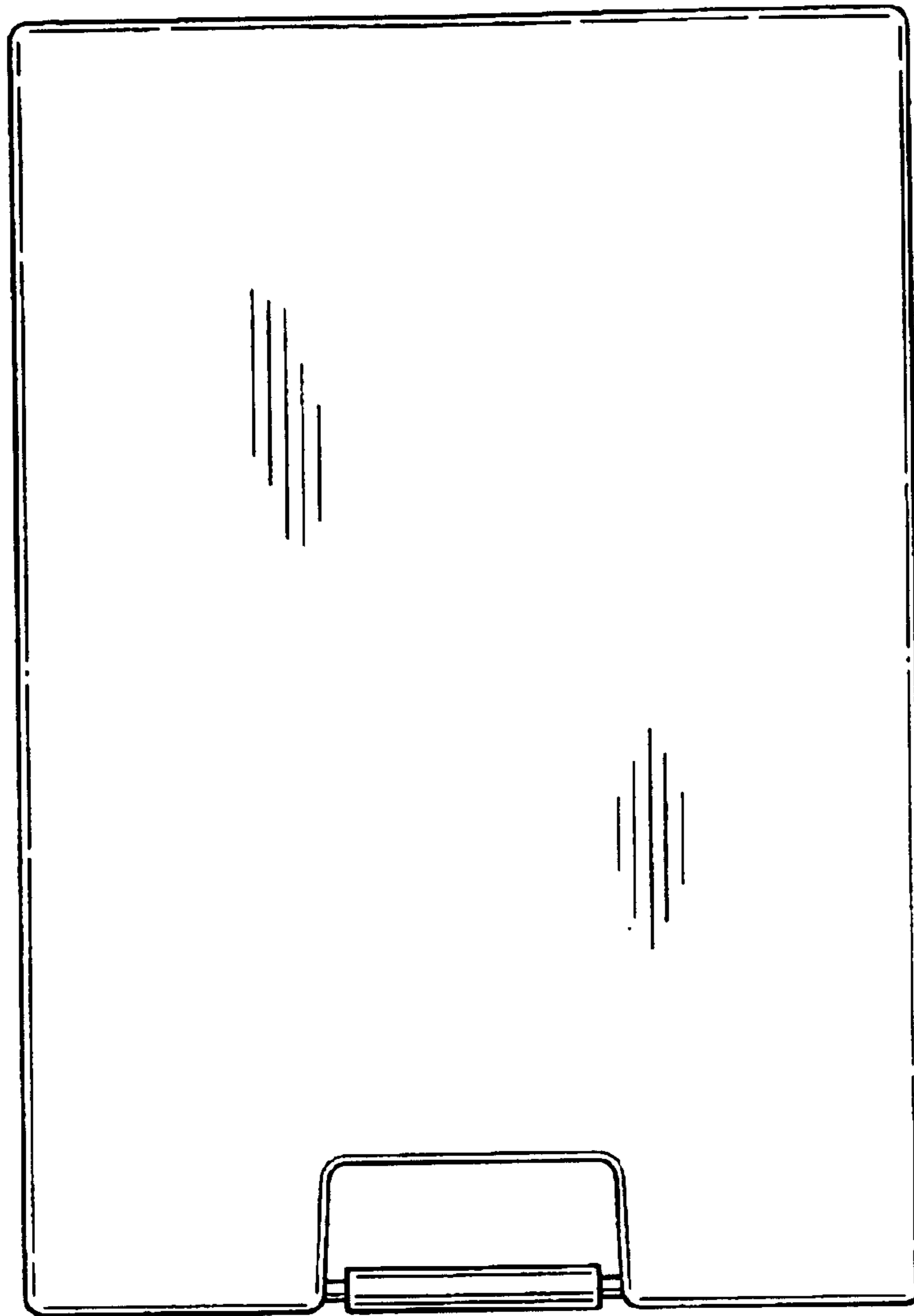


FIG. 3

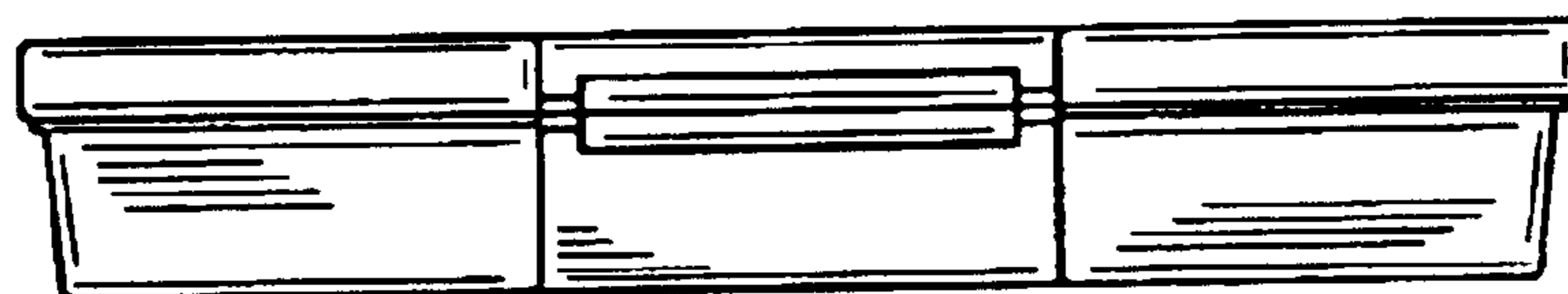


FIG. 2

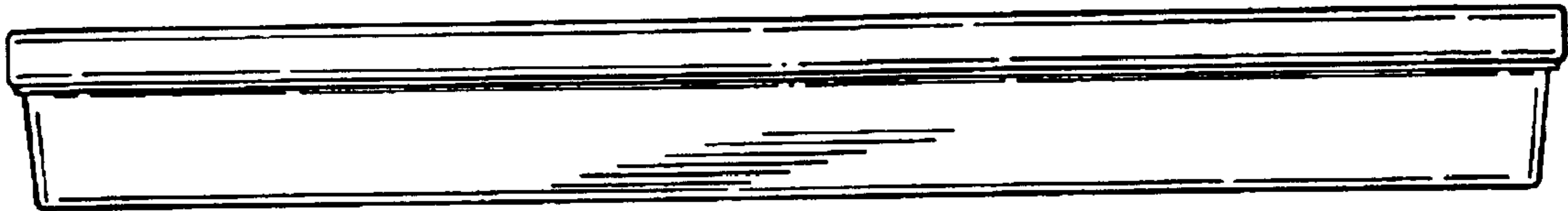


FIG. 4

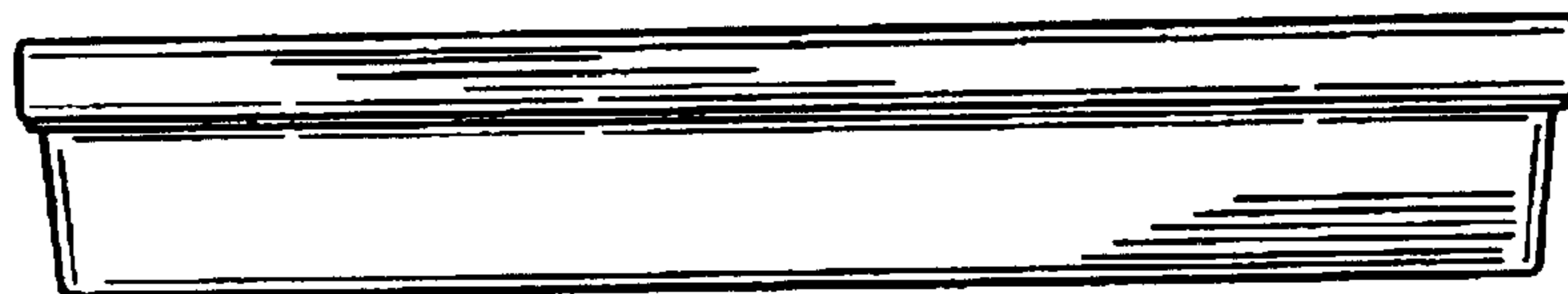


FIG. 5

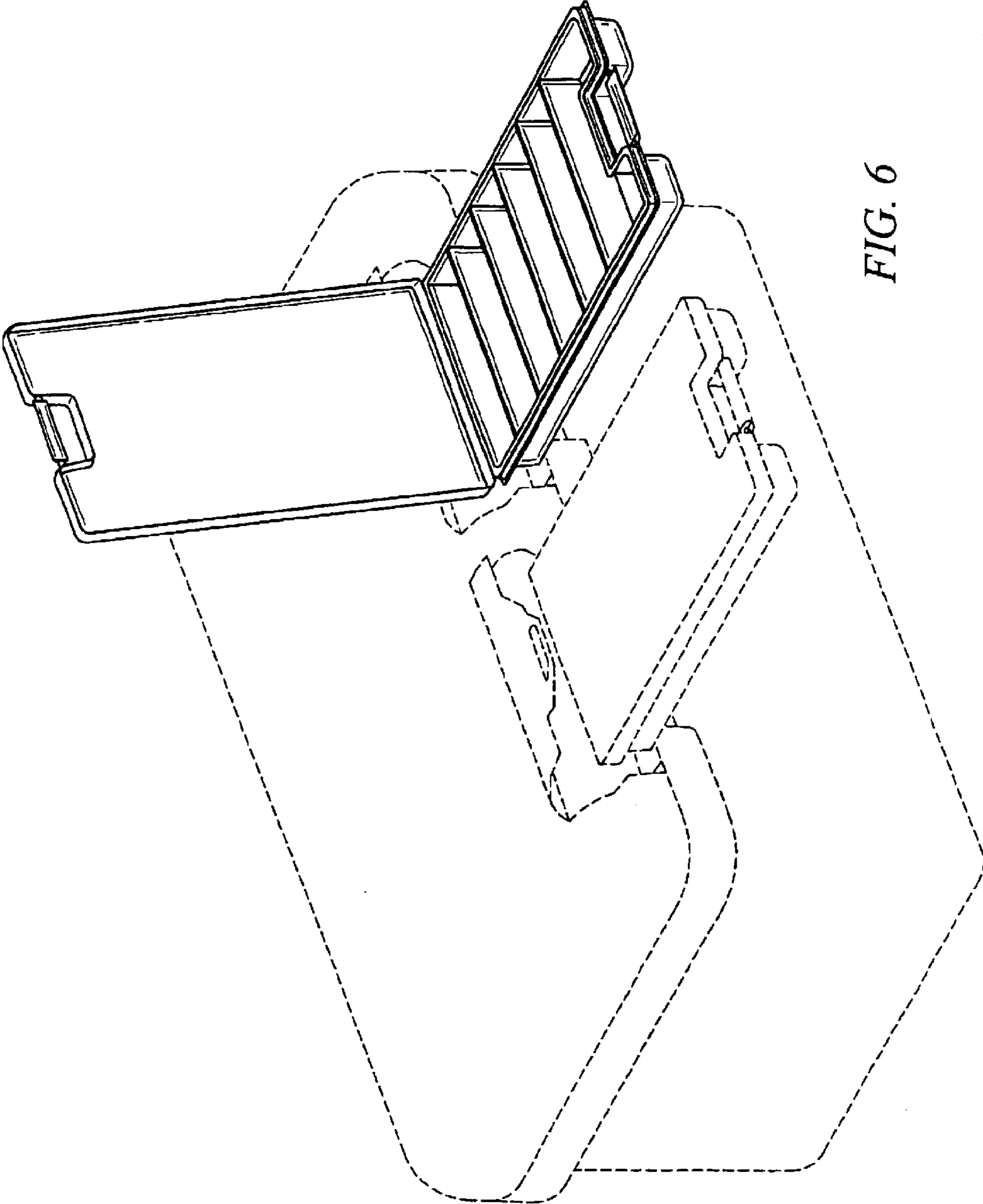


FIG. 6