



US00D511624S

(12) **United States Design Patent**
Rosine et al.

(10) **Patent No.: US D511,624 S**

(45) **Date of Patent: ** Nov. 22, 2005**

(54) **STORAGE BIN**

(75) Inventors: **Lyle Rosine**, Batavia, IL (US); **Kevin J. Markley**, Joliet, IL (US); **Torrence Anderson**, Overland Park, KS (US)

(73) Assignee: **Suncast Corporation**, Batavia, IL (US)

(**) Term: **14 Years**

(21) Appl. No.: **29/190,955**

(22) Filed: **Sep. 26, 2003**

(51) **LOC (8) Cl.** **03-01**

(52) **U.S. Cl.** **D3/273; D3/302**

(58) **Field of Search** D3/273, 272, 302,
D3/294; D9/420, 423, 424, 425; 206/505,
508, 511; 220/608, 659

(56) **References Cited**

U.S. PATENT DOCUMENTS

- 5,042,674 A * 8/1991 Ramsay et al. 220/4.24
- D328,425 S * 8/1992 Brightbill D9/425
- D358,326 S * 5/1995 Tomasello D9/424
- D370,095 S * 5/1996 Siler D30/161
- D373,953 S * 9/1996 Gale D9/425

- D378,552 S * 3/1997 Lippisch D3/273
- D381,512 S * 7/1997 Green D3/294
- D382,112 S * 8/1997 Egan D3/273
- D401,064 S * 11/1998 Cheris et al. D3/302
- D408,631 S * 4/1999 Dickinson et al. D3/302
- D439,406 S * 3/2001 Zimmerman D3/273
- 6,308,858 B1 * 10/2001 Koefeld 220/608

* cited by examiner

Primary Examiner—Philip S. Hyder

(74) *Attorney, Agent, or Firm*—McHale & Slavin, P.A.

(57) **CLAIM**

The ornamental design for a storage bin, as shown and described.

DESCRIPTION

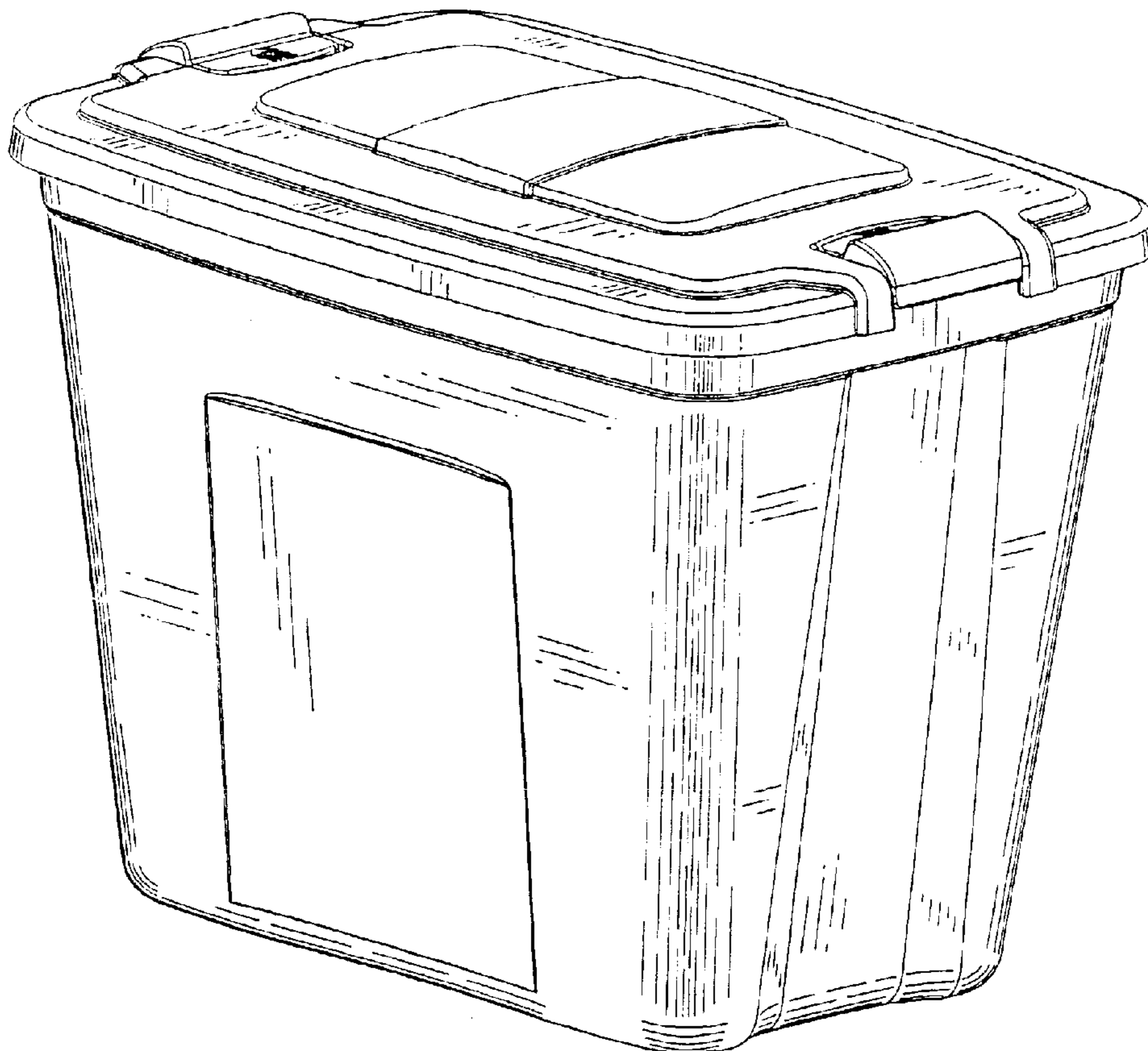
FIG. 1 is a perspective view of the storage bin of the instant invention;

FIG. 2 is a front elevation view thereof, the rear view forming a mirror image of the front view;

FIG. 3 is a right side view thereof, the left side view forming a mirror image of the right side view; and,

FIG. 4 is a top plan view thereof.

1 Claim, 4 Drawing Sheets



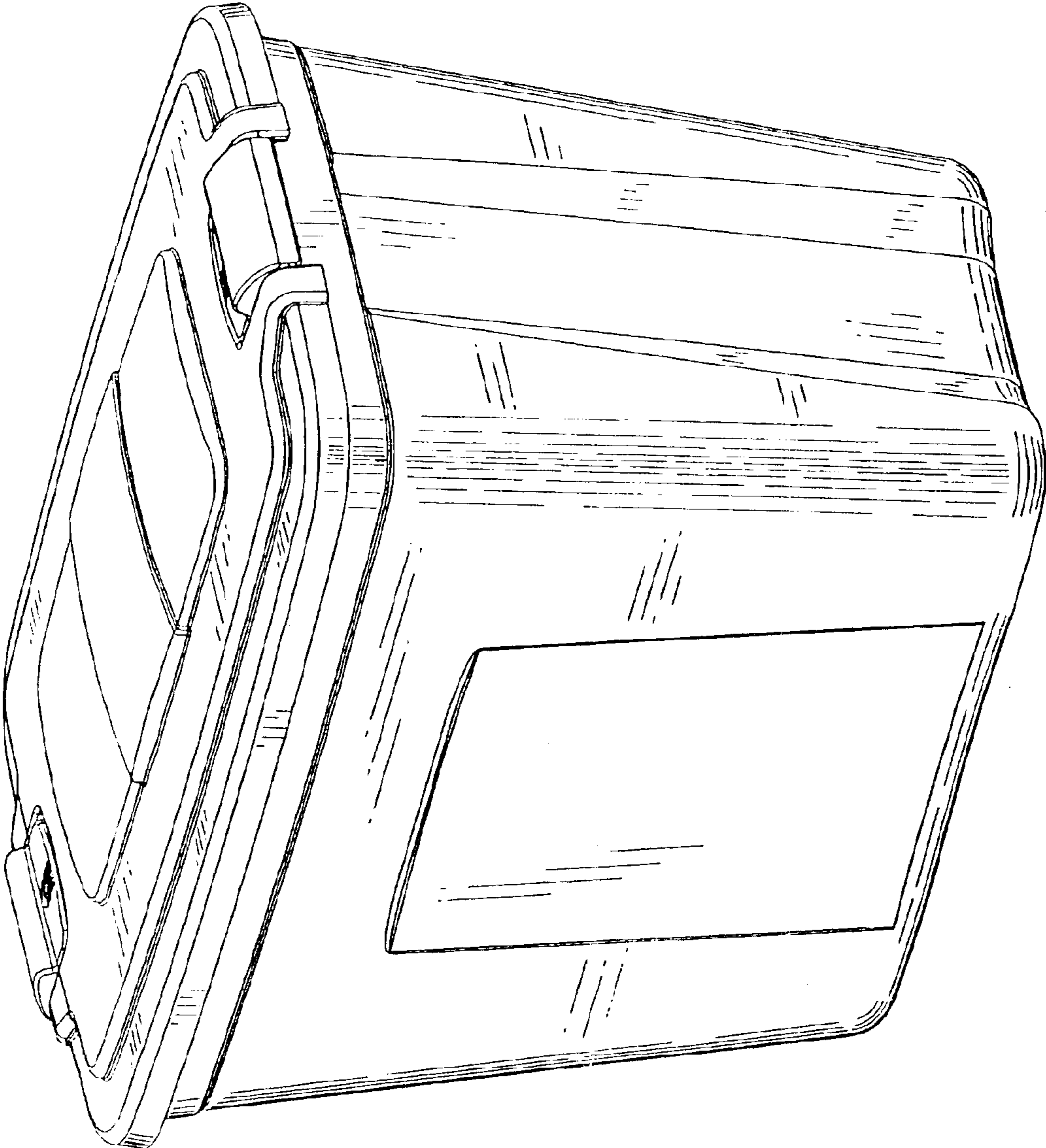


FIGURE 1

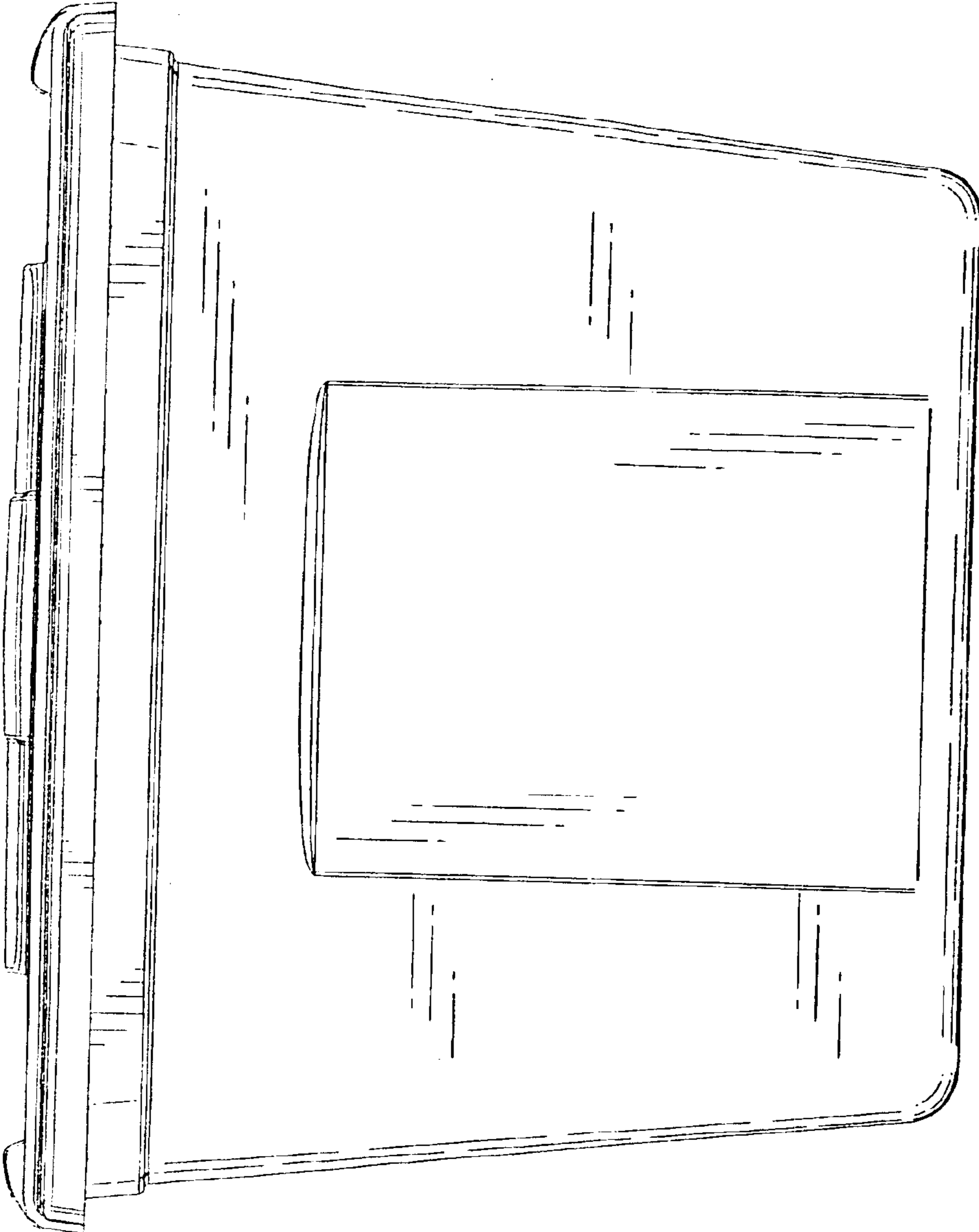


FIGURE 2

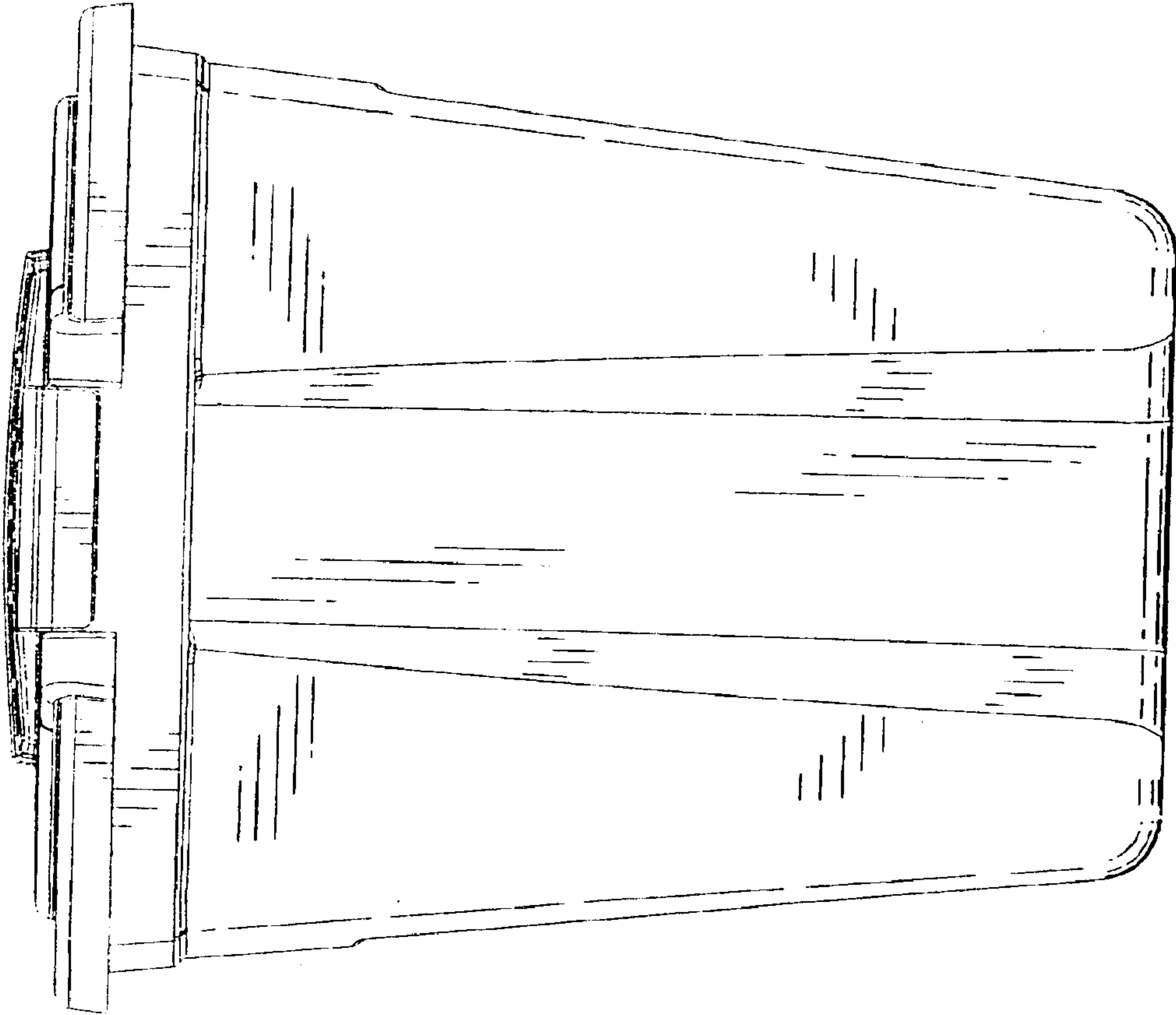


FIGURE 3

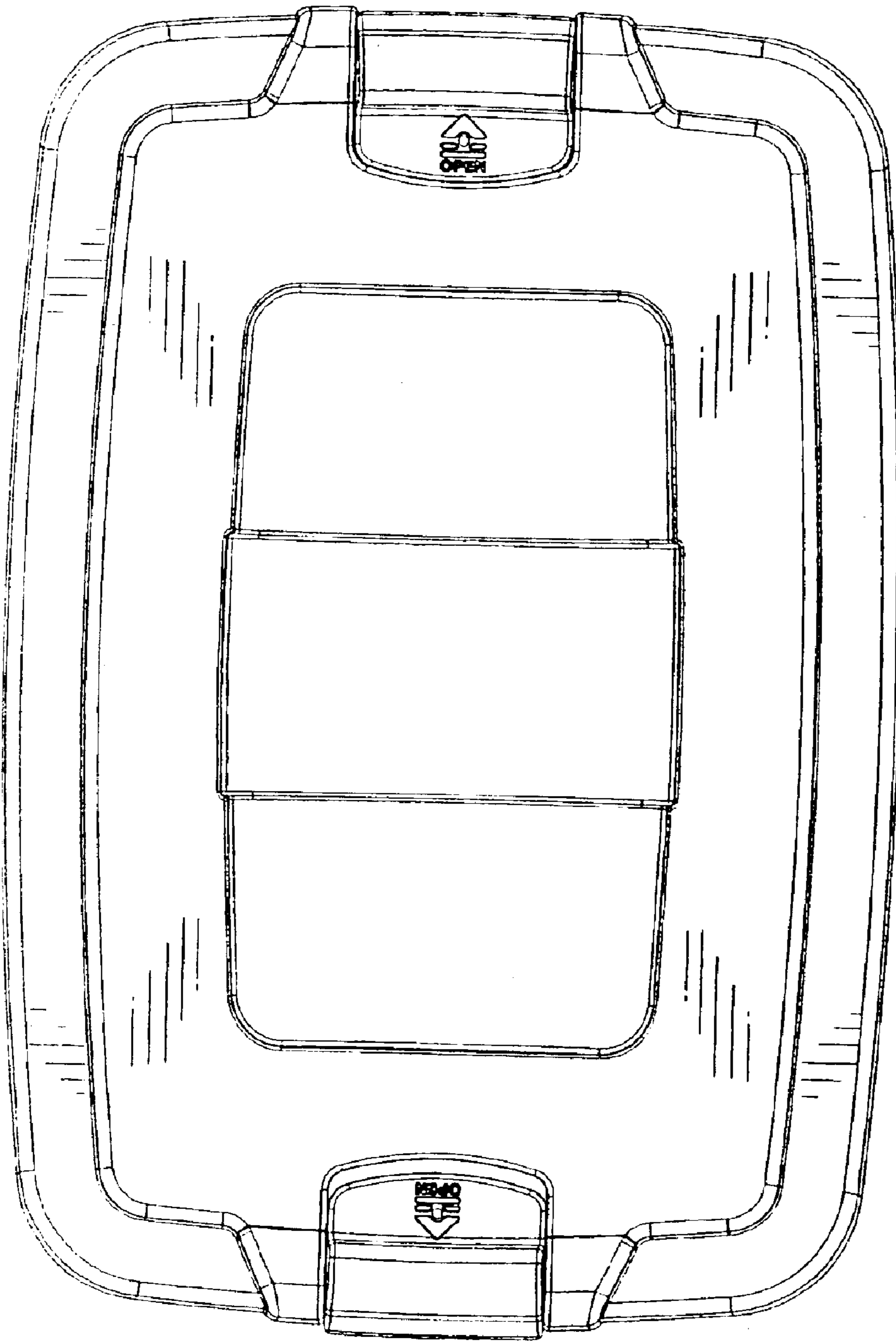


FIGURE 4