



US00D511623S

(12) **United States Design Patent** (10) **Patent No.:** **US D511,623 S**  
**Malloy** (45) **Date of Patent:** **\*\* Nov. 22, 2005**

(54) **SURFBOARD CARRIER**  
(75) **Inventor:** **John Leo Malloy**, Dunsborough (AU)  
(73) **Assignee:** **Great Waves Pty Ltd.**, Dunsborough (AU)  
(\*\*) **Term:** **14 Years**

*Primary Examiner*—Philip S. Hyder  
(74) *Attorney, Agent, or Firm*—Marger Johnson & McCollom, P.C.

(21) **Appl. No.:** **29/194,134**  
(22) **Filed:** **Nov. 18, 2003**  
(30) **Foreign Application Priority Data**  
Jul. 2, 2003 (AU) ..... 2293/2003  
(51) **LOC (8) Cl.** ..... **03-01**  
(52) **U.S. Cl.** ..... **D3/261; D3/318; D3/319; D3/321**  
(58) **Field of Search** ..... **D3/254, 261, 269, D3/276; 224/153, 580, 581, 582, 586; 206/315.1**

(57) **CLAIM**  
The ornamental design for a surfboard carrier, as shown and described.

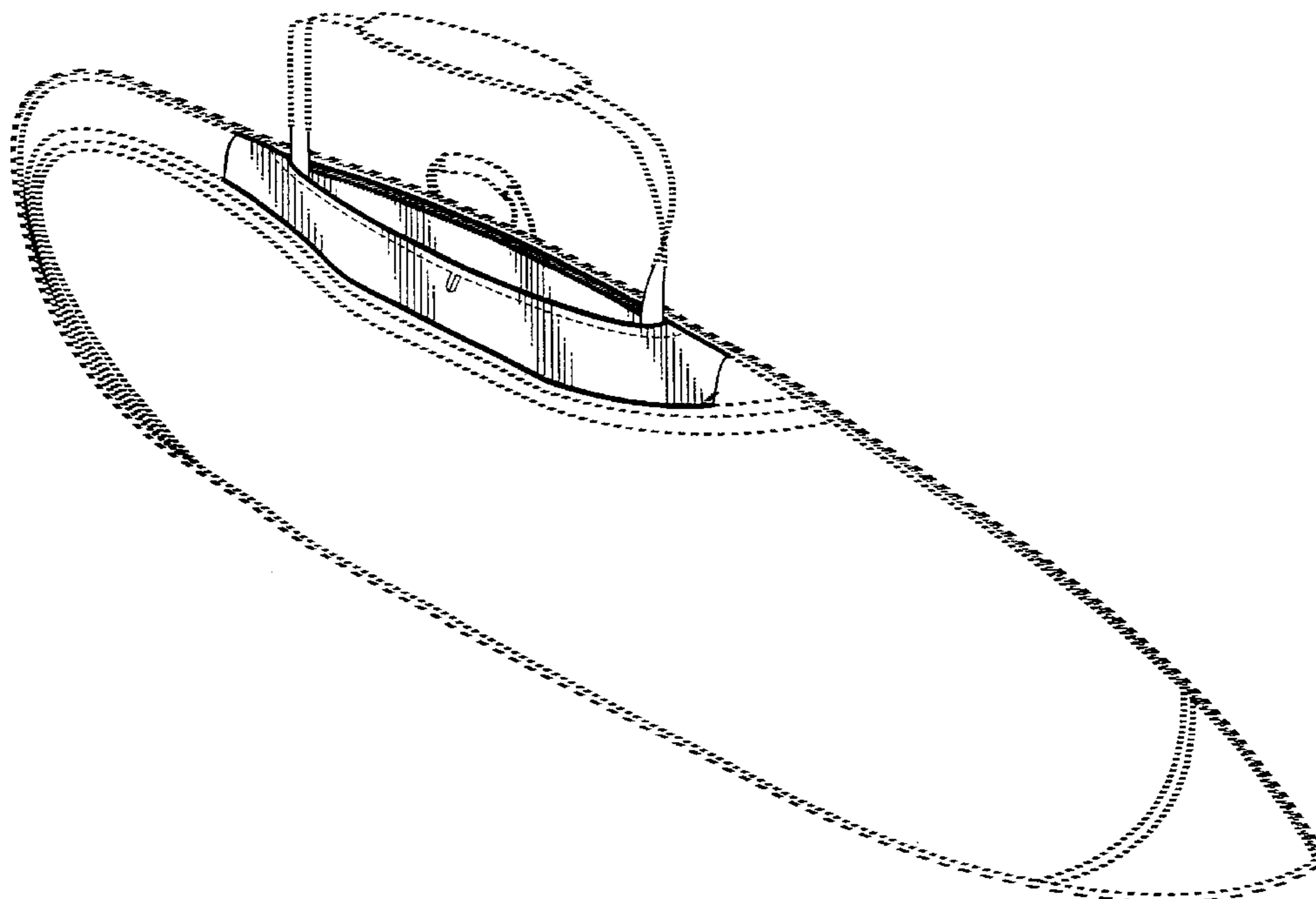
(56) **References Cited**  
**U.S. PATENT DOCUMENTS**  
3,339,607 A \* 9/1967 Howard ..... 206/315.1  
5,033,497 A \* 7/1991 Hernandez ..... 135/95  
5,094,334 A \* 3/1992 Bobrowski ..... 198/314  
6,003,745 A \* 12/1999 Mechanic ..... 224/156  
6,334,537 B1 \* 1/2002 Tepper ..... 206/522  
6,536,638 B1 \* 3/2003 Gulmatico, III ..... 224/153  
6,585,137 B1 \* 7/2003 Archuleta ..... 224/617

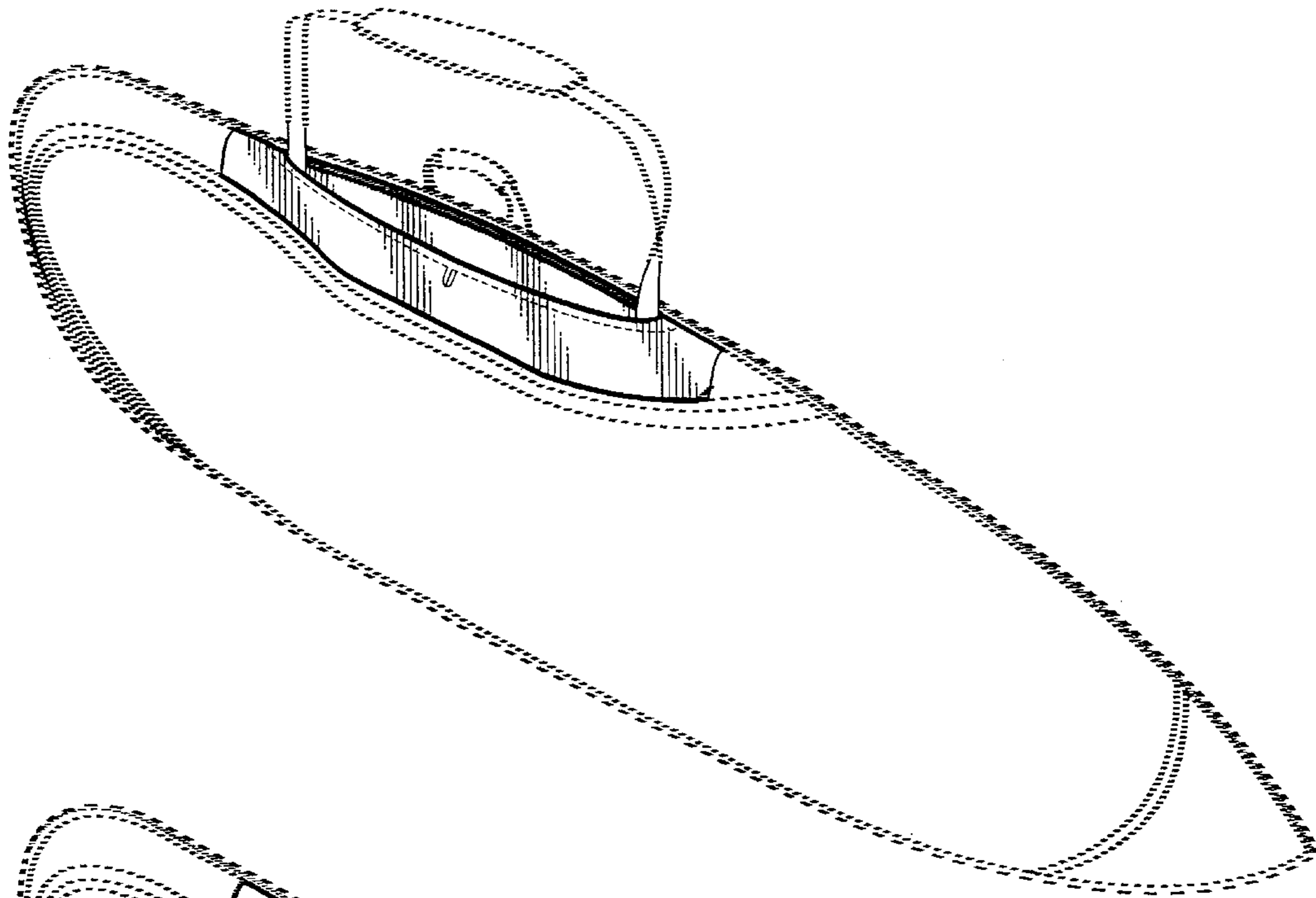
**DESCRIPTION**  
FIG. 1 is a front perspective view of a surfboard carrier having a pocket in the open position, showing my new design;  
FIG. 2 is a front perspective view of the carrier having the pocket closed;  
FIG. 3 is a rear perspective view of the carrier having the pocket open;  
FIG. 4 is a rear perspective view of the carrier having the pocket closed;  
FIG. 5 is an enlarged front view of the carrier having the pocket closed;  
FIG. 6 is a bottom plan view of the carrier having the pocket closed;  
FIG. 7 is an end view of the carrier having the pocket closed, the other end view being a mirror image thereof; and,  
FIG. 8 is a top plan view of the carrier having the pocket closed.

The broken line portions of the disclosure are for illustrative purposes only and form no part of the claimed design.

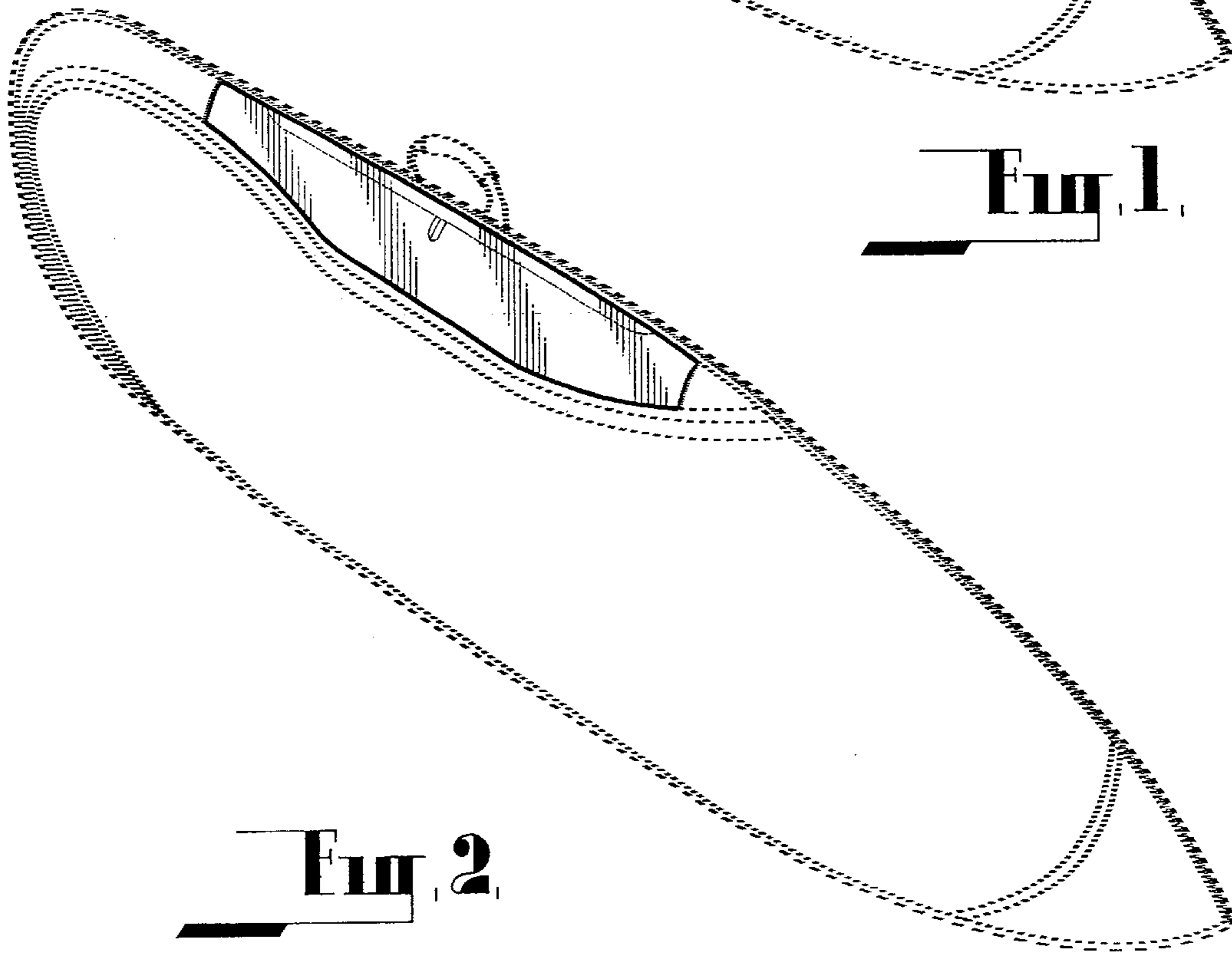
\* cited by examiner

**1 Claim, 4 Drawing Sheets**

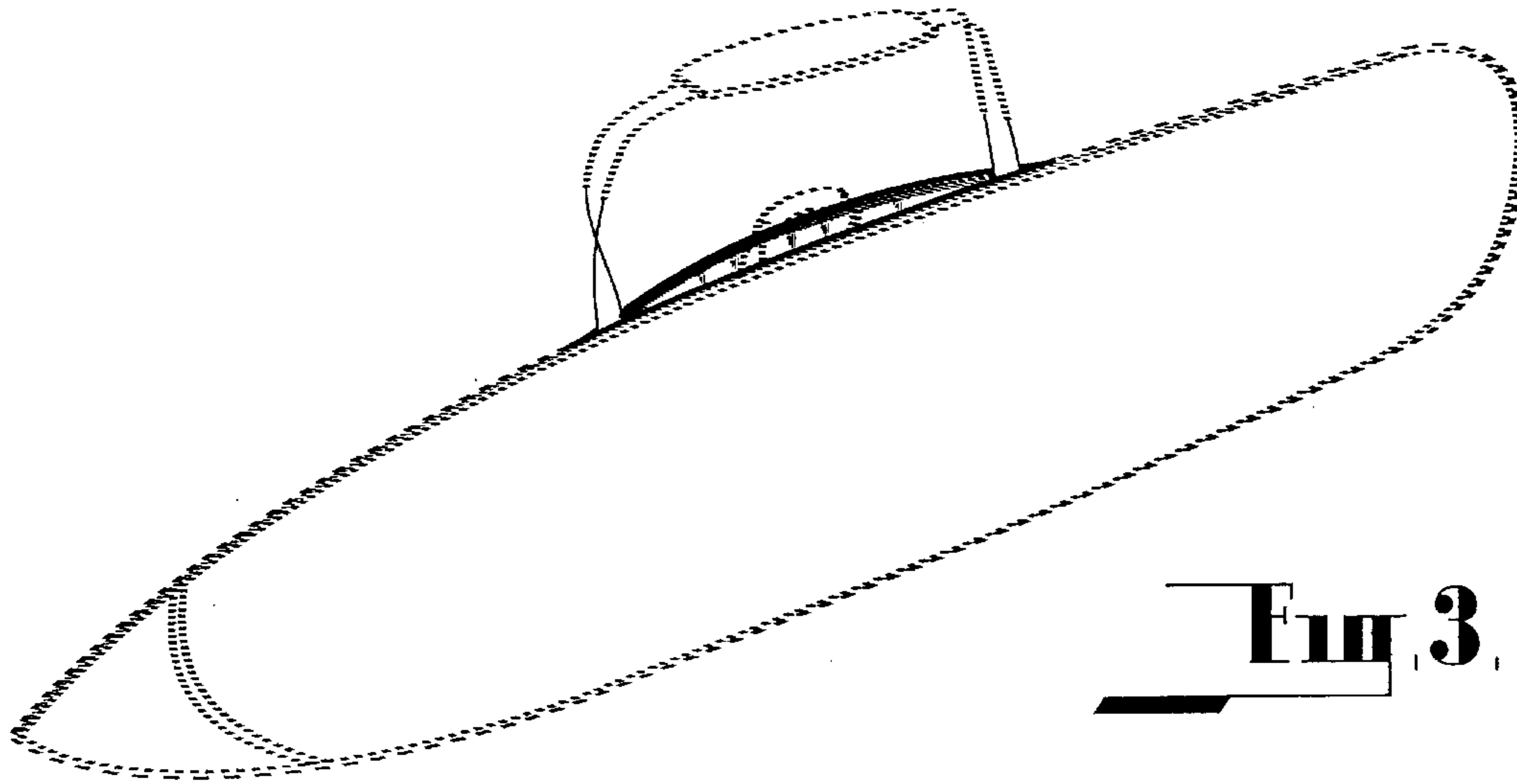




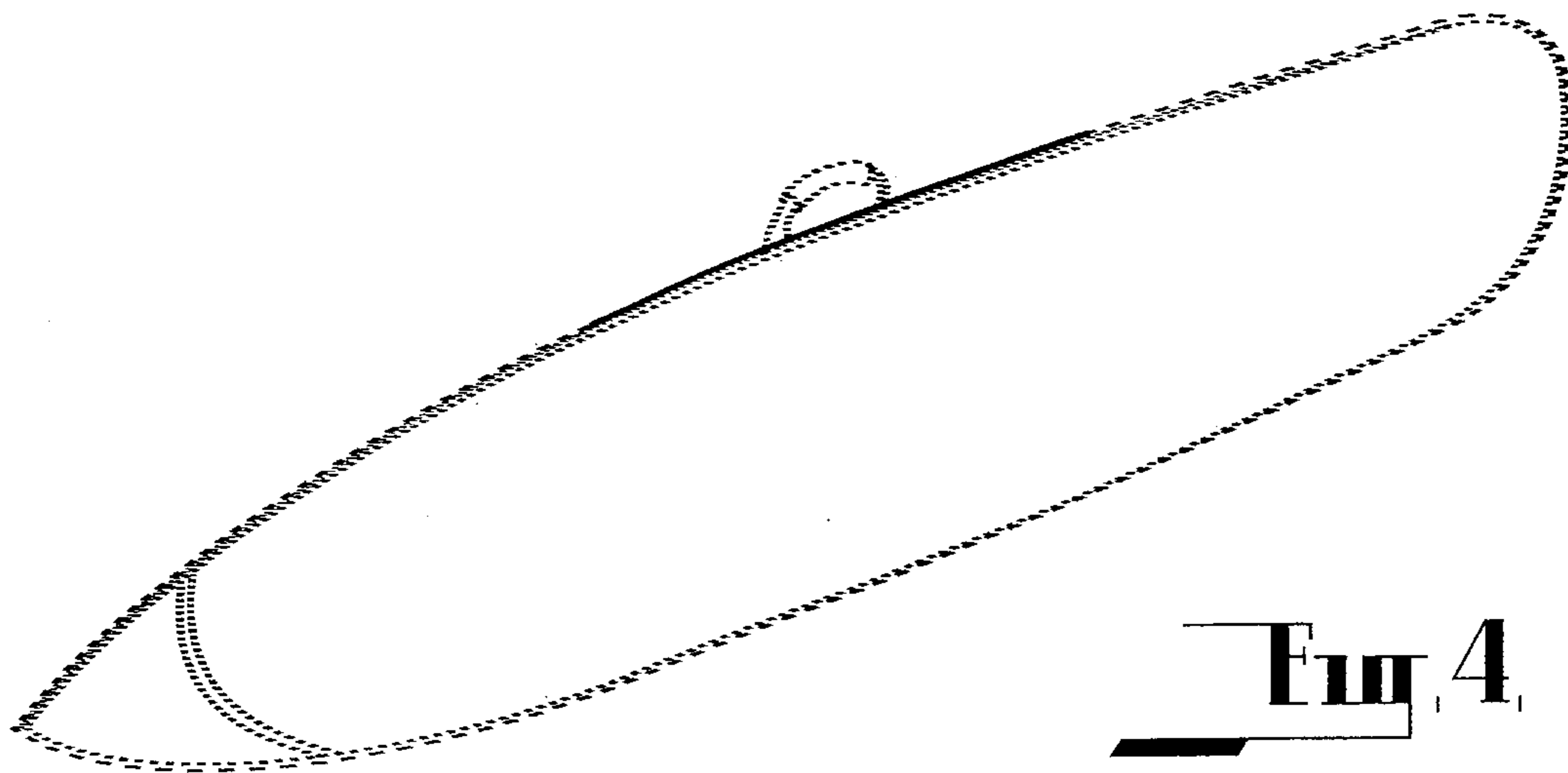
**Fig. 1.**



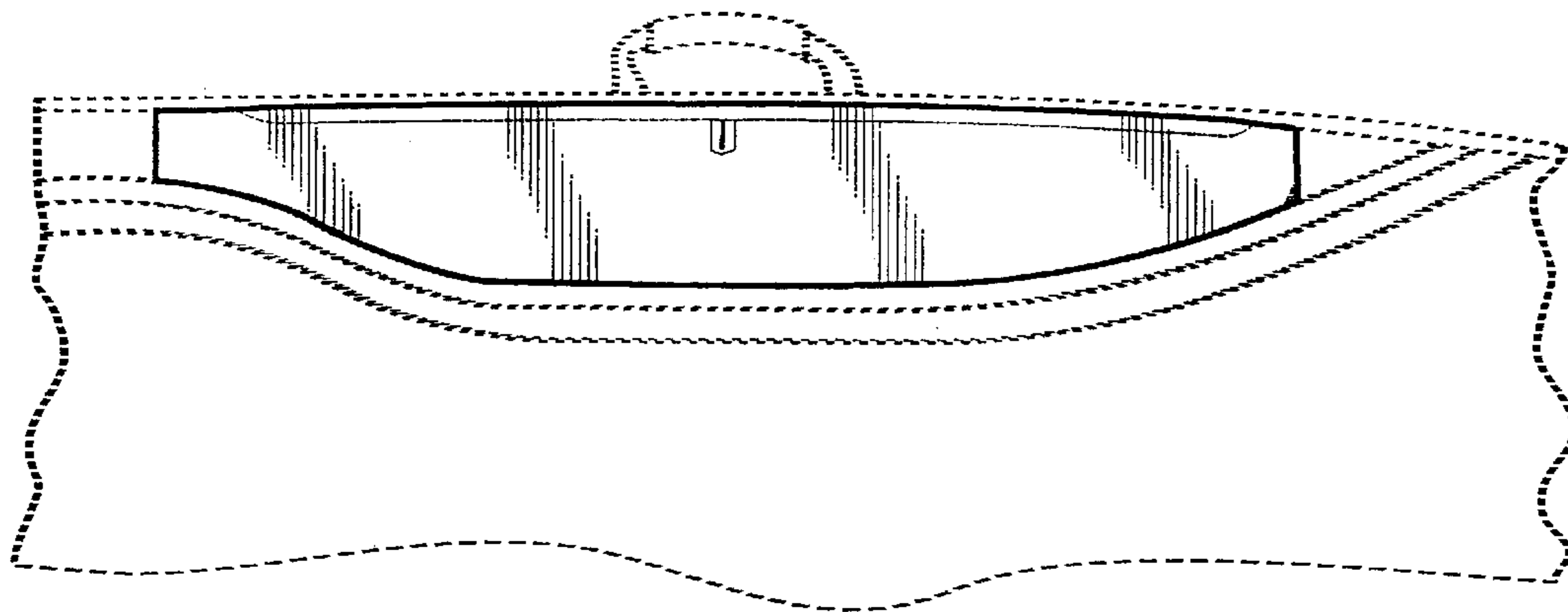
**Fig. 2.**



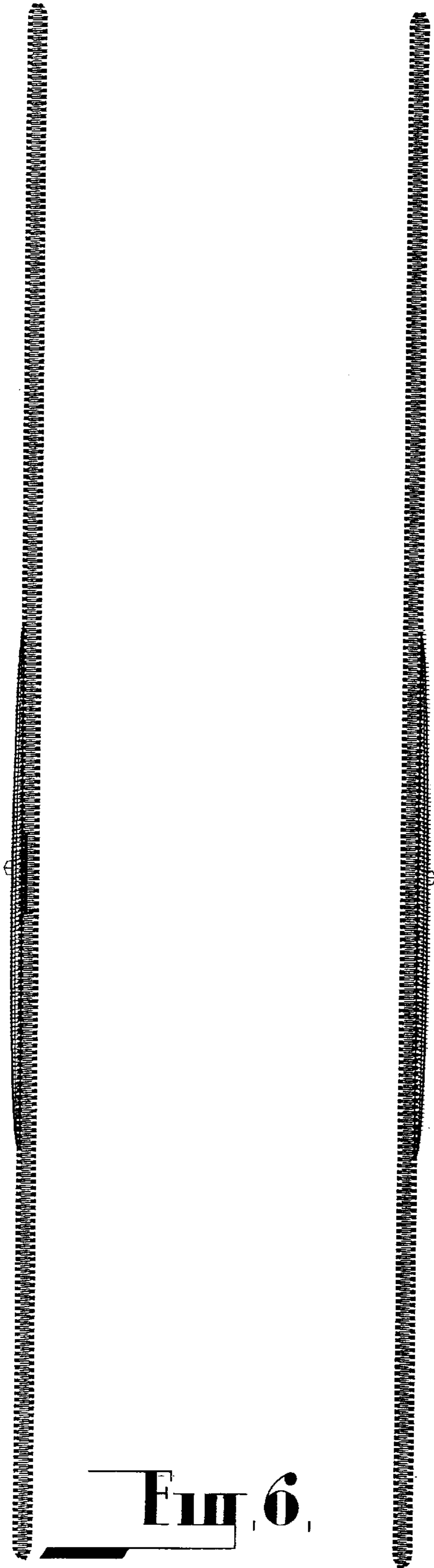
**Fig. 3.**



**Fig. 4.**



**Fig. 5**



**FIG. 6.**

**FIG. 8.**



**FIG. 7.**