



US00D511600S

(12) **United States Design Patent**
Mowe et al.

(10) **Patent No.:** **US D511,600 S**
(45) **Date of Patent:** **** Nov. 15, 2005**

(54) **PAINT ROLLER CLEANER**

(76) Inventors: **Blake B. Mowe**, 842 Maxie La.,
Lawrenceville, GA (US) 30044; **R. Larry Owens**, 3213 Woodhauen Ct.,
Conyers, GA (US) 30094

(**) Term: **14 Years**

(21) Appl. No.: **29/213,926**

(22) Filed: **Sep. 24, 2004**

(51) **LOC (8) Cl.** **08-99**

(52) **U.S. Cl.** **D32/35**

(58) **Field of Search** D32/35, 39; 15/143.1,
15/236.01, 236.03, 236.07; D8/14, 107;
D30/155

(56) **References Cited**

U.S. PATENT DOCUMENTS

- 1,758,011 A * 5/1930 Reach
- 2,825,916 A * 3/1958 Basala, Jr. 15/236.03
- 4,287,631 A * 9/1981 Marrs 15/236.03
- D268,536 S * 4/1983 Davis D30/155
- D307,961 S * 5/1990 Howell D32/35
- D330,101 S * 10/1992 Weiss D32/35

FOREIGN PATENT DOCUMENTS

WO WO 9849019 A1 * 11/1998 B44D/3/00

* cited by examiner

Primary Examiner—Robin V. Taylor
Assistant Examiner—Lavone D. Tabor
(74) *Attorney, Agent, or Firm*—Harry I. Leon

(57) **CLAIM**

The ornamental design for a paint roller cleaner, as shown and described.

DESCRIPTION

FIG. 1 is a perspective view of the paint roller cleaner according to the present invention, the paint roller, dripping paint and paint can being shown in dashed lines are for illustrative purposes only and forming no part of the claimed design;

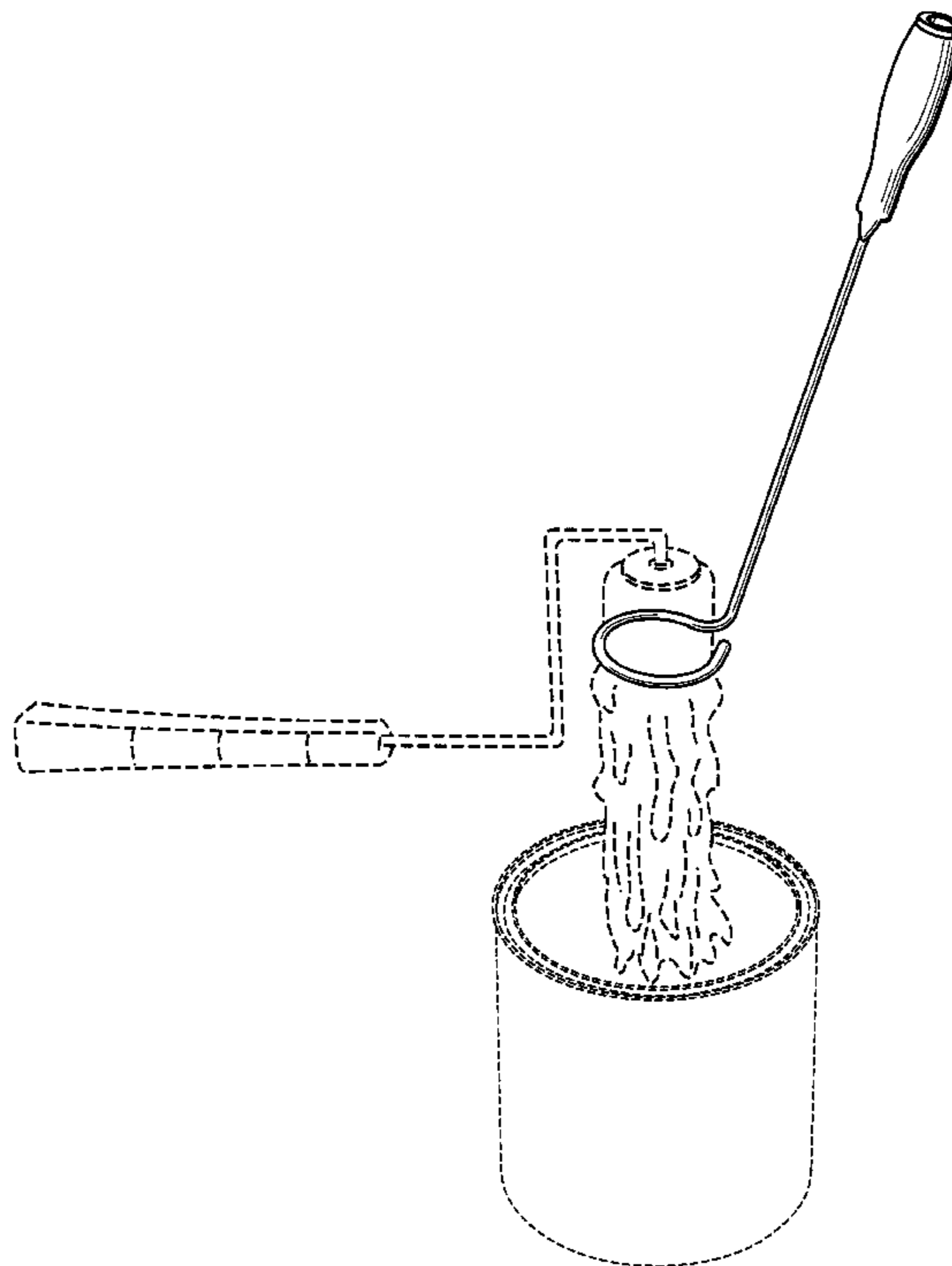
FIG. 2 is a closed up perspective view of the paint roller cleaner according to FIG. 1 showing how it can be slipped on the paint roller sleeve without requiring removal of the sleeve from the handle, the paint roller being shown for illustrative purposes only and forming no part of the claimed design;

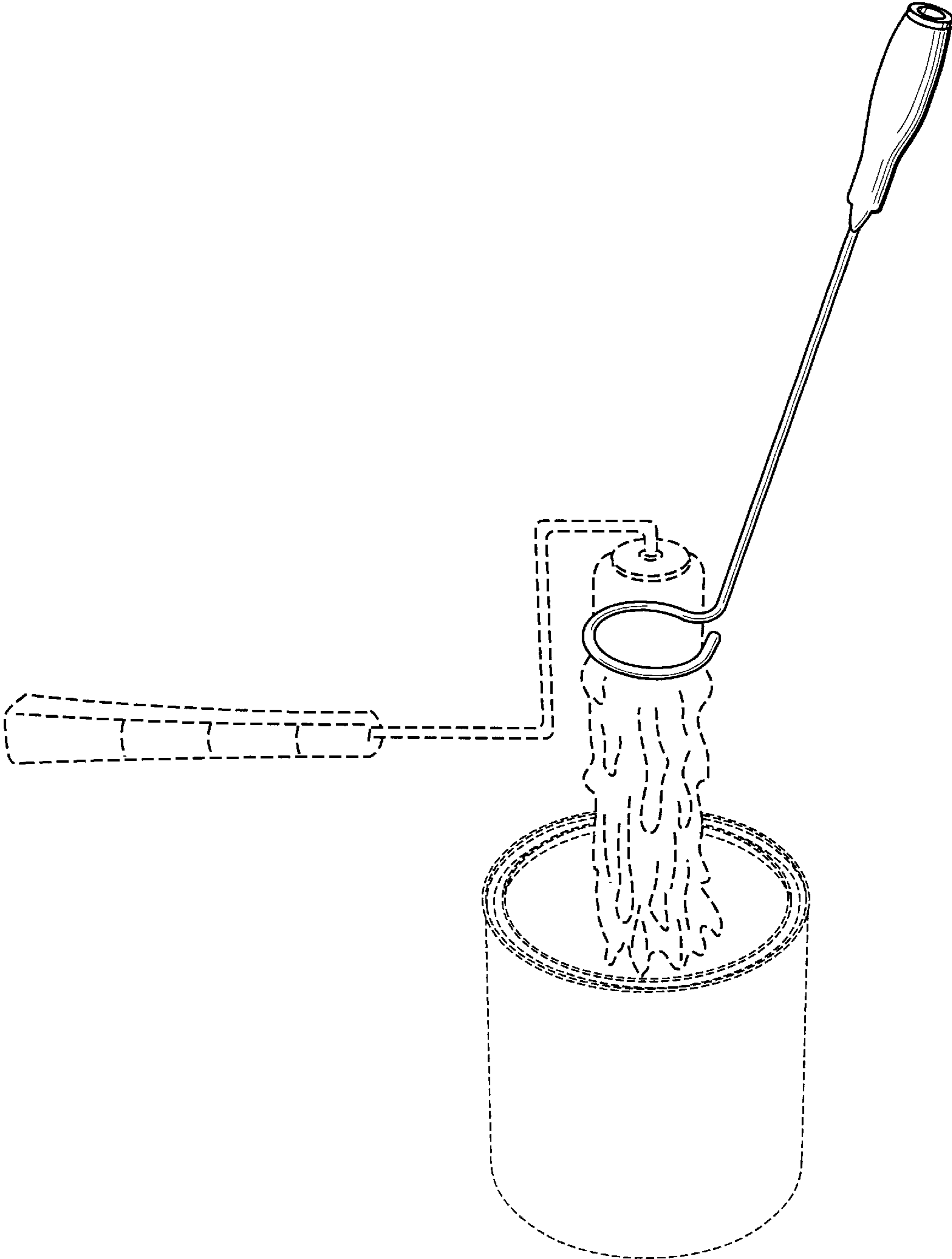
FIG. 3 is front elevational view of the paint roller cleaner according to FIG. 1;

FIGS. 4 and 5 are right and left side elevational views, respectively, of the paint roller cleaner according to FIG. 1; and,

FIGS. 6 and 7 are top and bottom plan views, respectively, of the paint roller cleaner according to FIG. 1.

1 Claim, 4 Drawing Sheets





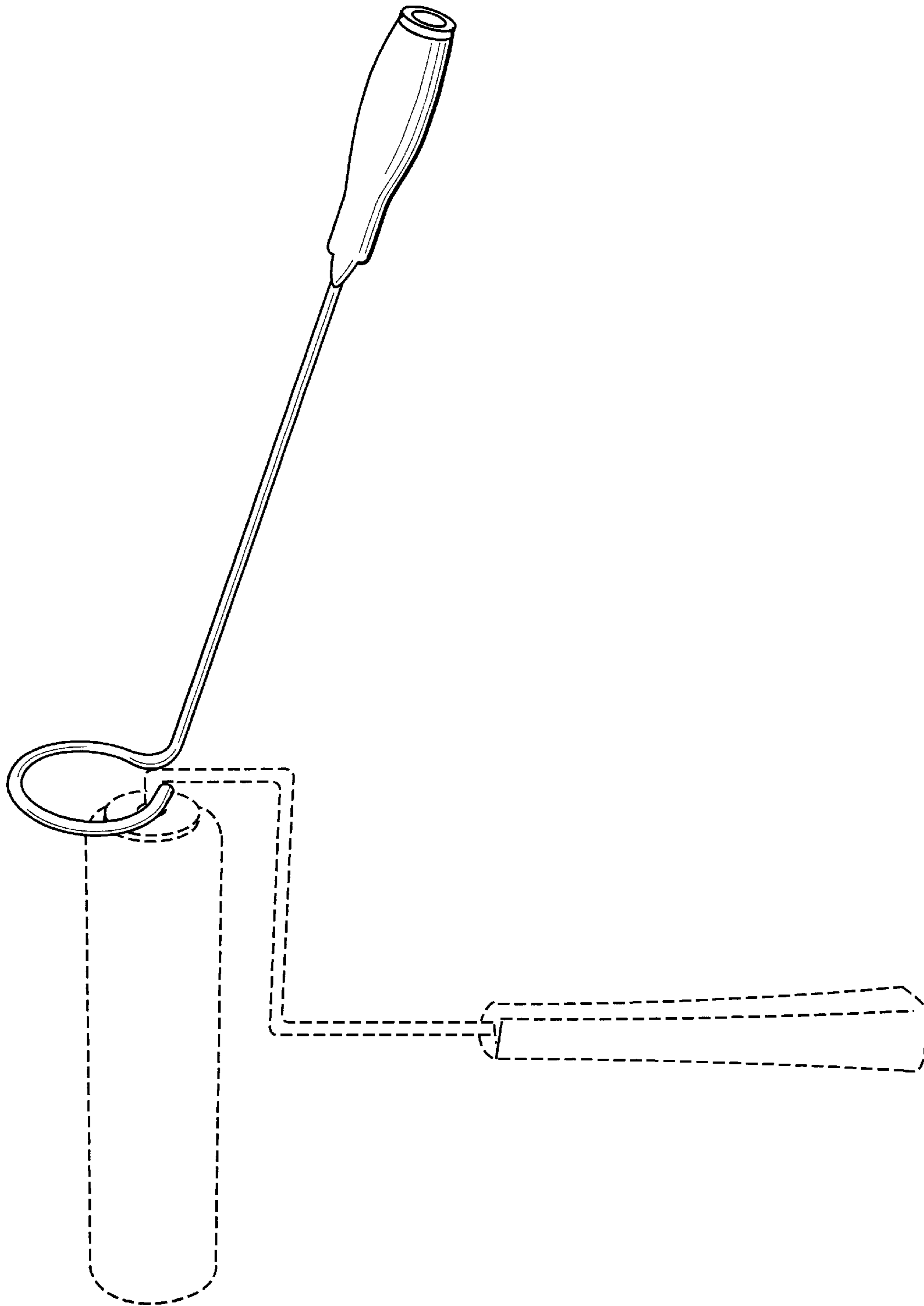


Fig. 2

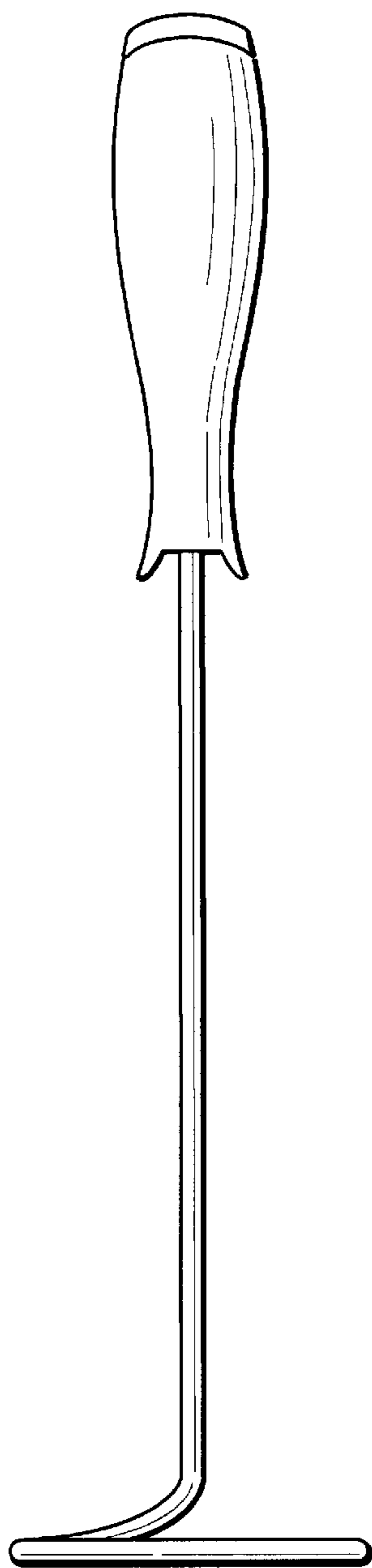


Fig. 3

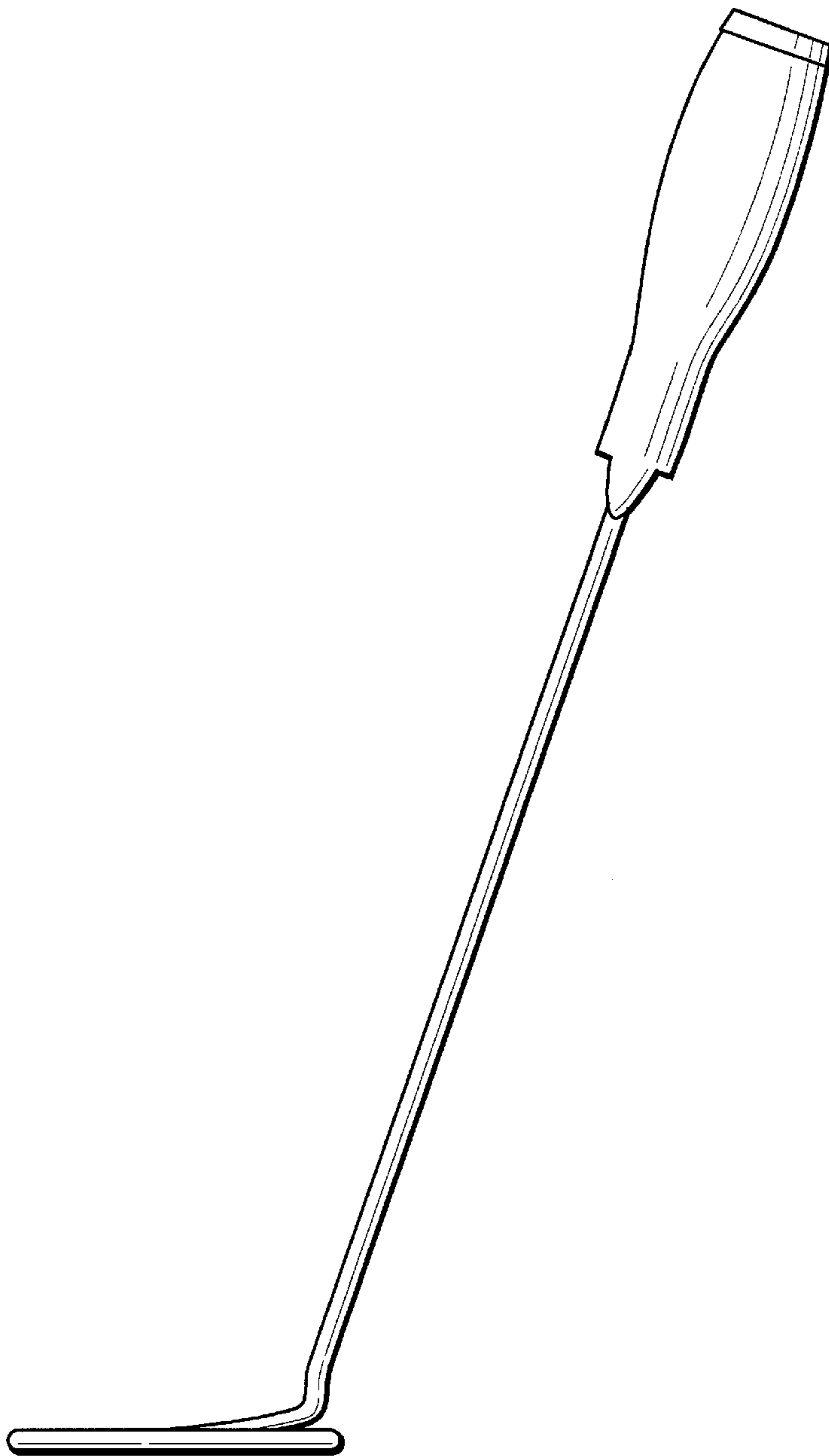


Fig. 4

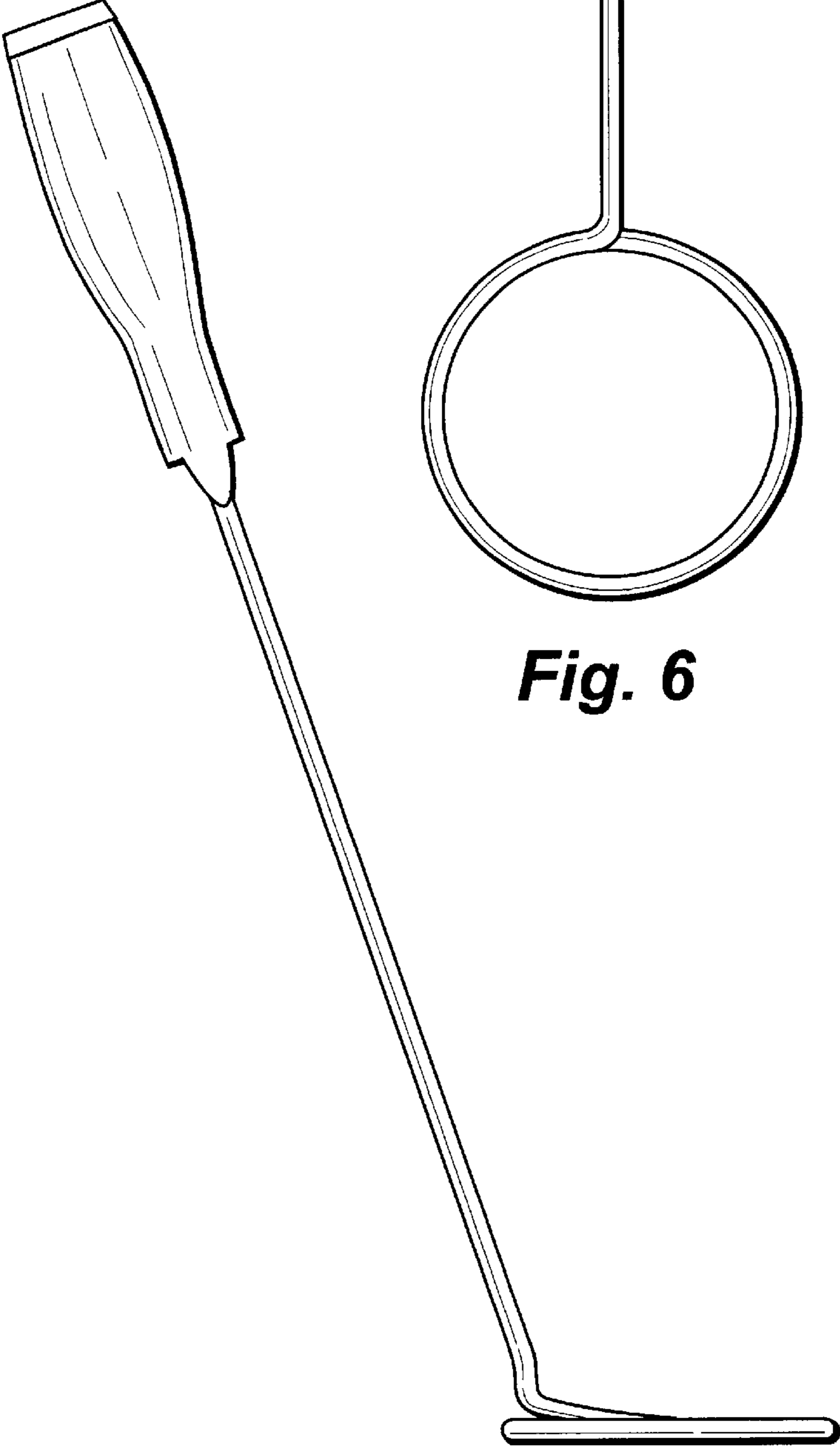


Fig. 5

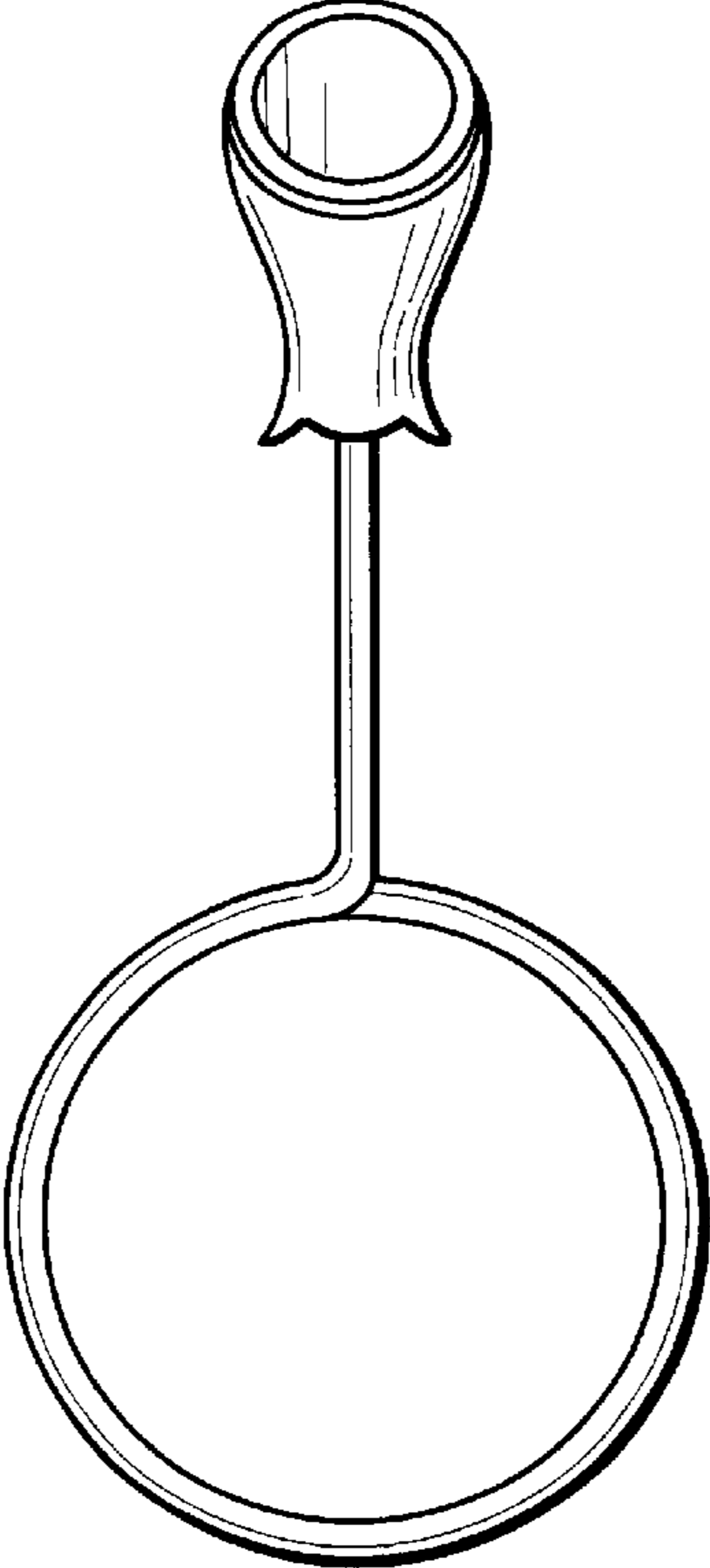


Fig. 6

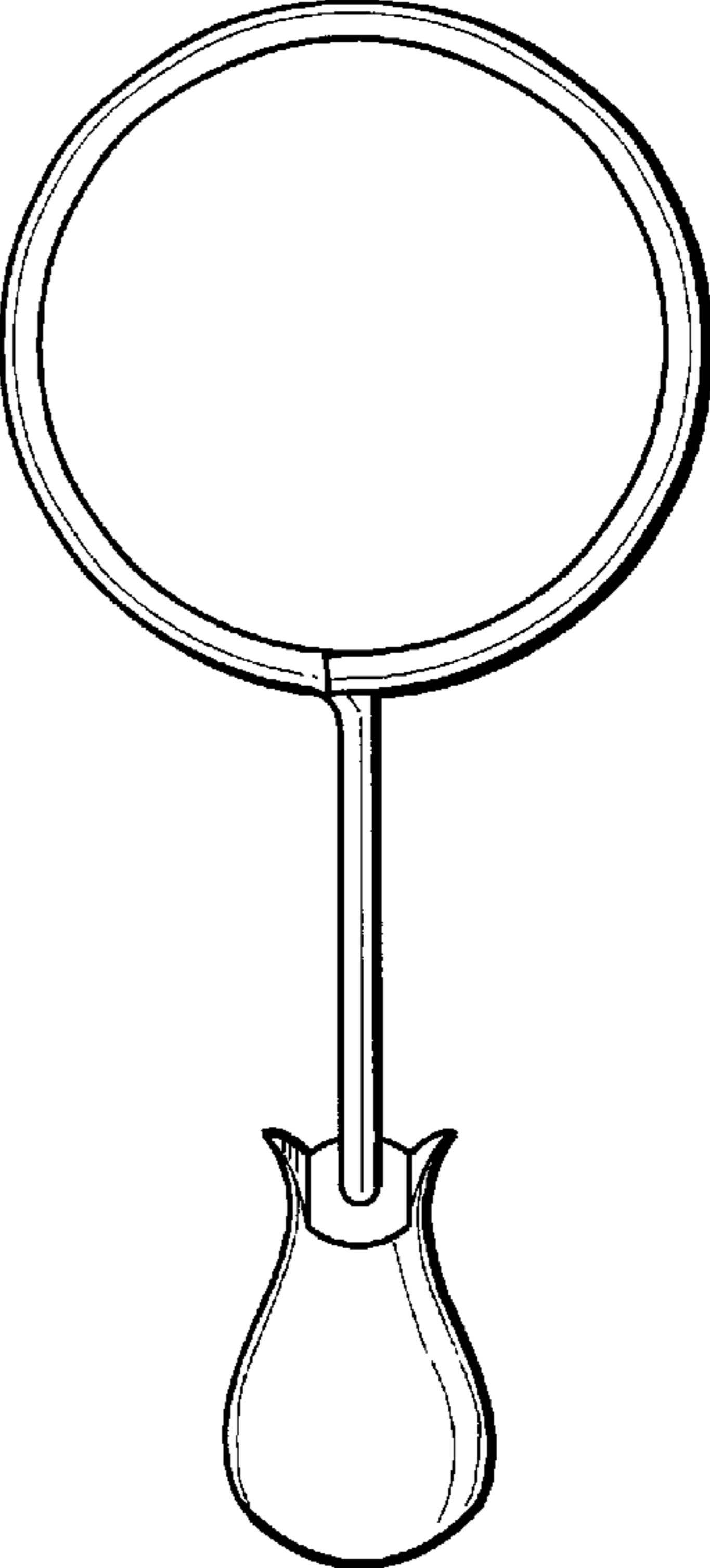


Fig. 7