



US00D511598S

(12) **United States Design Patent**
Snowball

(10) **Patent No.:** **US D511,598 S**

(45) **Date of Patent:** **** Nov. 15, 2005**

(54) **HAND-HELD VACUUM CLEANER**

(75) **Inventor:** **Colin Snowball, Newcastle (GB)**

(73) **Assignee:** **Black & Decker Inc., Newark, DE (US)**

(**) **Term:** **14 Years**

(21) **Appl. No.:** **29/209,515**

(22) **Filed:** **Jul. 16, 2004**

(30) **Foreign Application Priority Data**

Jan. 17, 2004 (GB) 3015836

(51) **LOC (8) Cl.** **15-05**

(52) **U.S. Cl.** **D32/18**

(58) **Field of Search** D32/17-18, 21,
D32/31, 1; 15/344, 329, 1.7, 320-321,
323, DIG. 1

(56) **References Cited**

U.S. PATENT DOCUMENTS

D257,661 S * 12/1980 Gantz D32/18

D287,657 S * 1/1987 Yuen D32/18

D288,015 S * 1/1987 Verdier et al. D32/18

D303,025 S * 8/1989 Yamamoto et al. D32/18

5,056,186 A * 10/1991 Jiam-Fa 15/328

D355,058 S * 1/1995 Phelan D32/18

D379,690 S * 6/1997 Howell et al. D32/18

D401,021 S * 11/1998 Stephens et al. D32/18

D432,743 S * 10/2000 Santiago D32/18

* cited by examiner

Primary Examiner—Ruth McInroy

(74) *Attorney, Agent, or Firm*—John Yun; Bruce S. Shapiro; Wesley Muller

(57) **CLAIM**

The ornamental design for a hand-held vacuum cleaner, as shown and described.

DESCRIPTION

FIG. 1 is a top plan view of a hand-held vacuum cleaner showing my new design;

FIG. 2 is a bottom plan view thereof;

FIG. 3 is a left side view thereof;

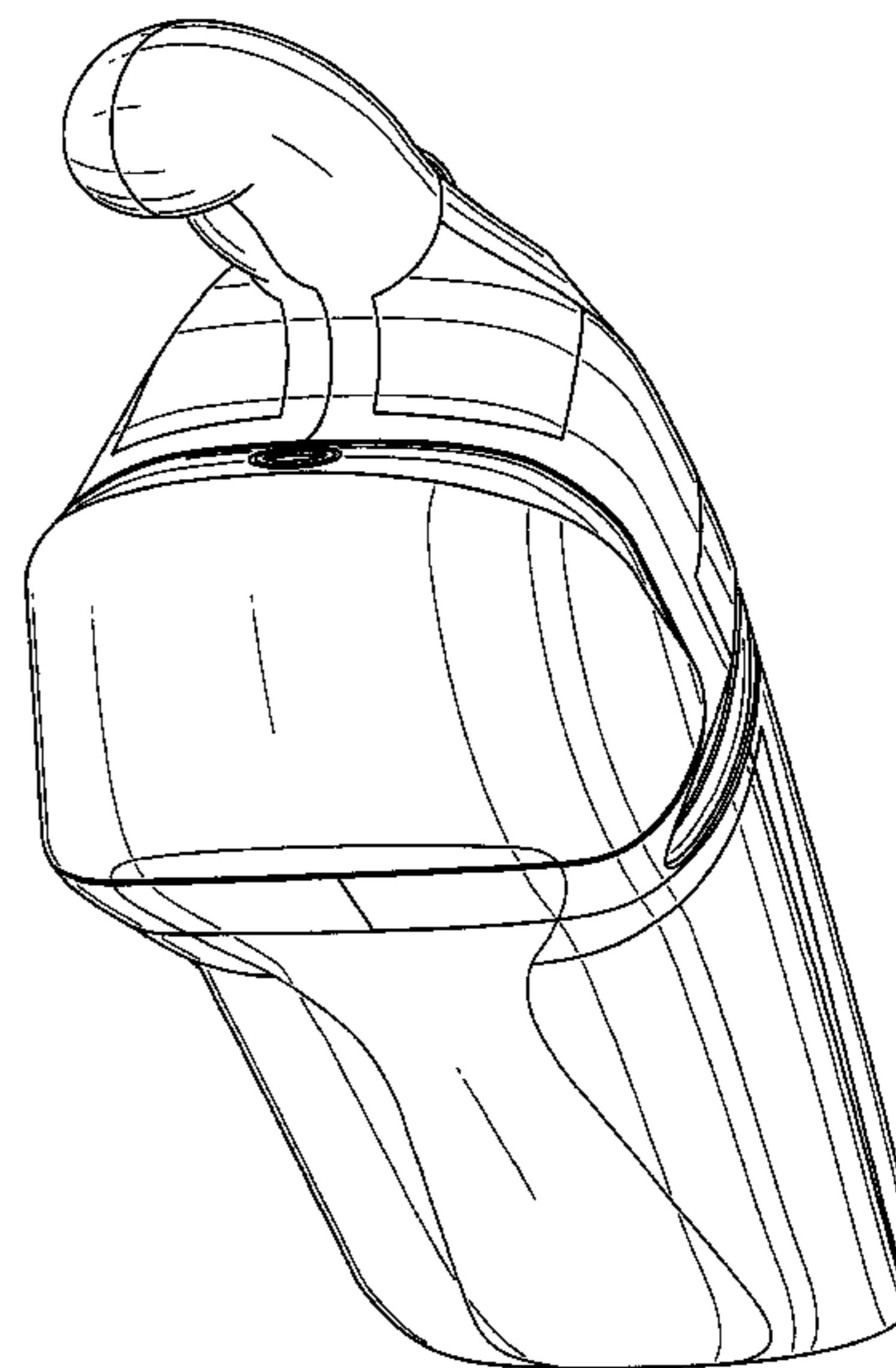
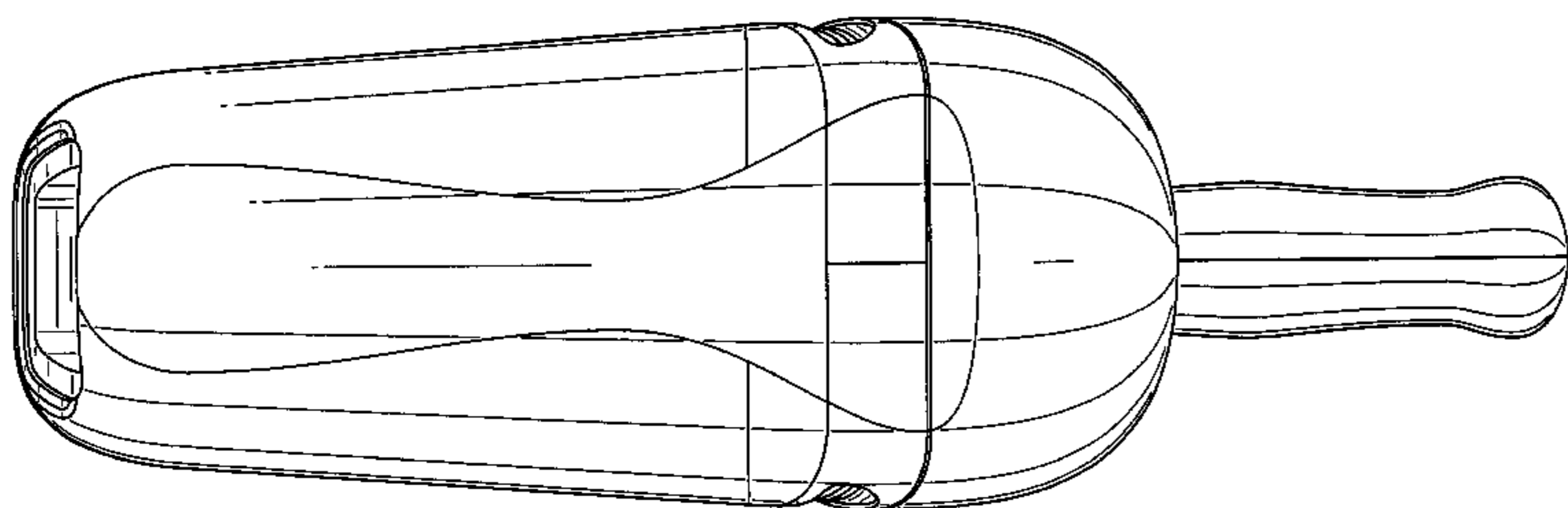
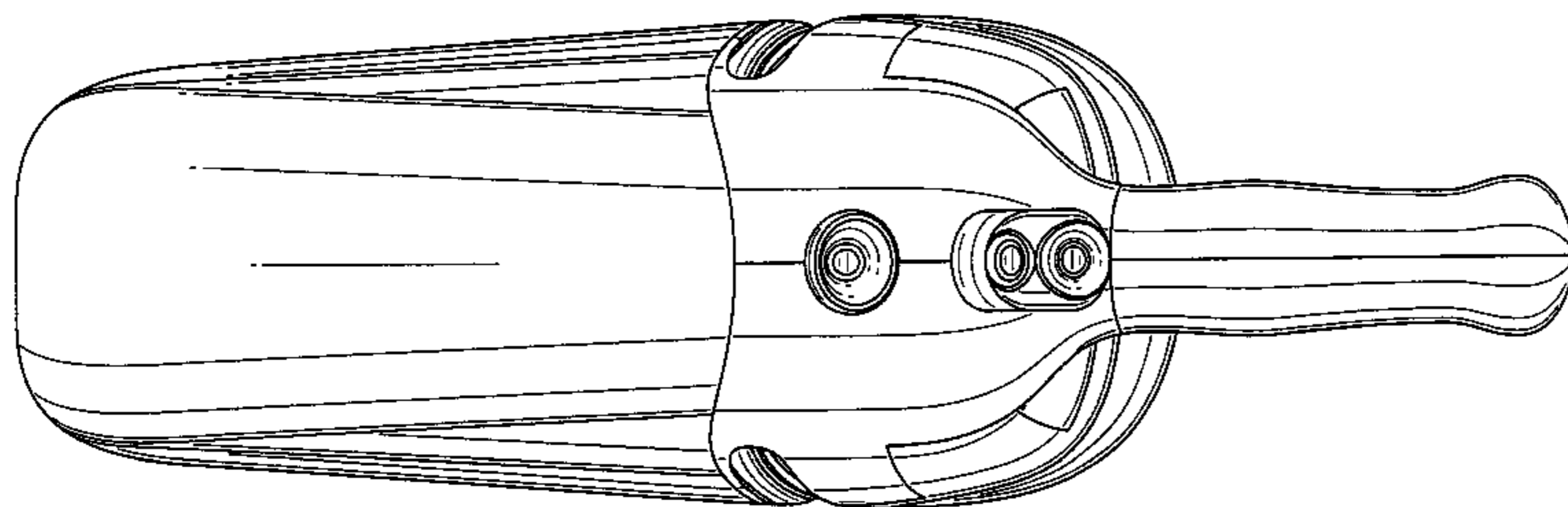
FIG. 4 is a perspective view thereof, taken from the front and left side;

FIG. 5 is a front view thereof;

FIG. 6 is a rear view thereof; and,

FIG. 7 is an enlarged rear perspective view thereof.

1 Claim, 7 Drawing Sheets



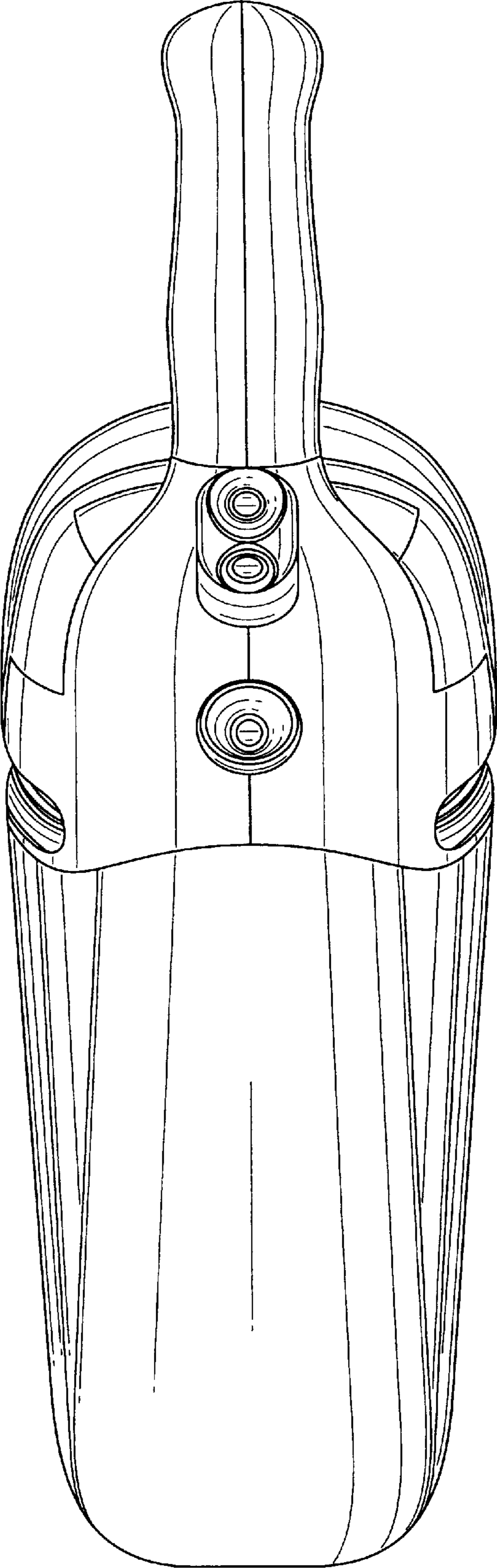


FIG. 1

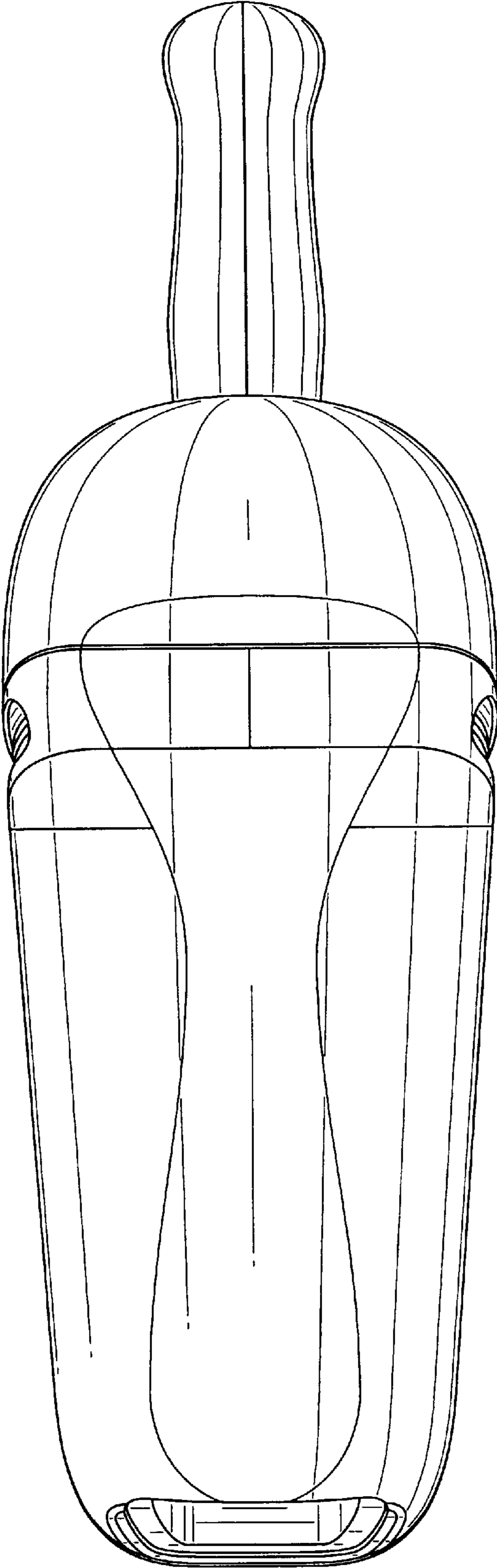


FIG. 2

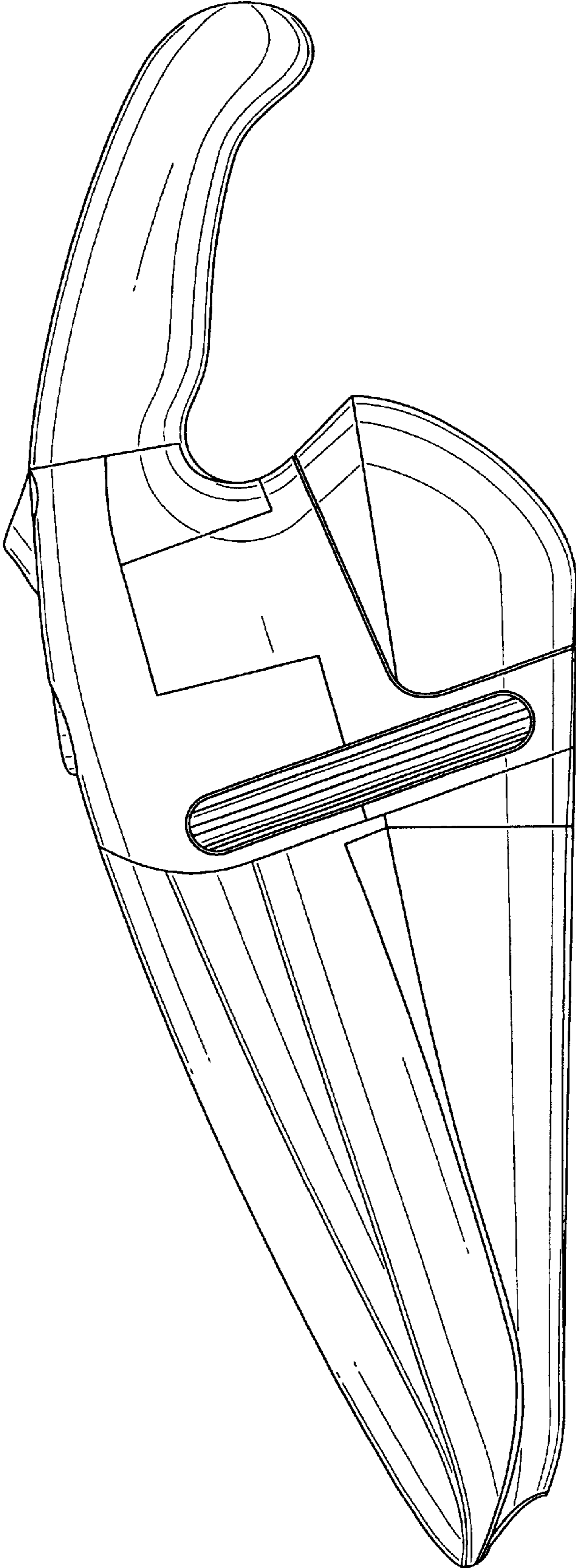


FIG. 3

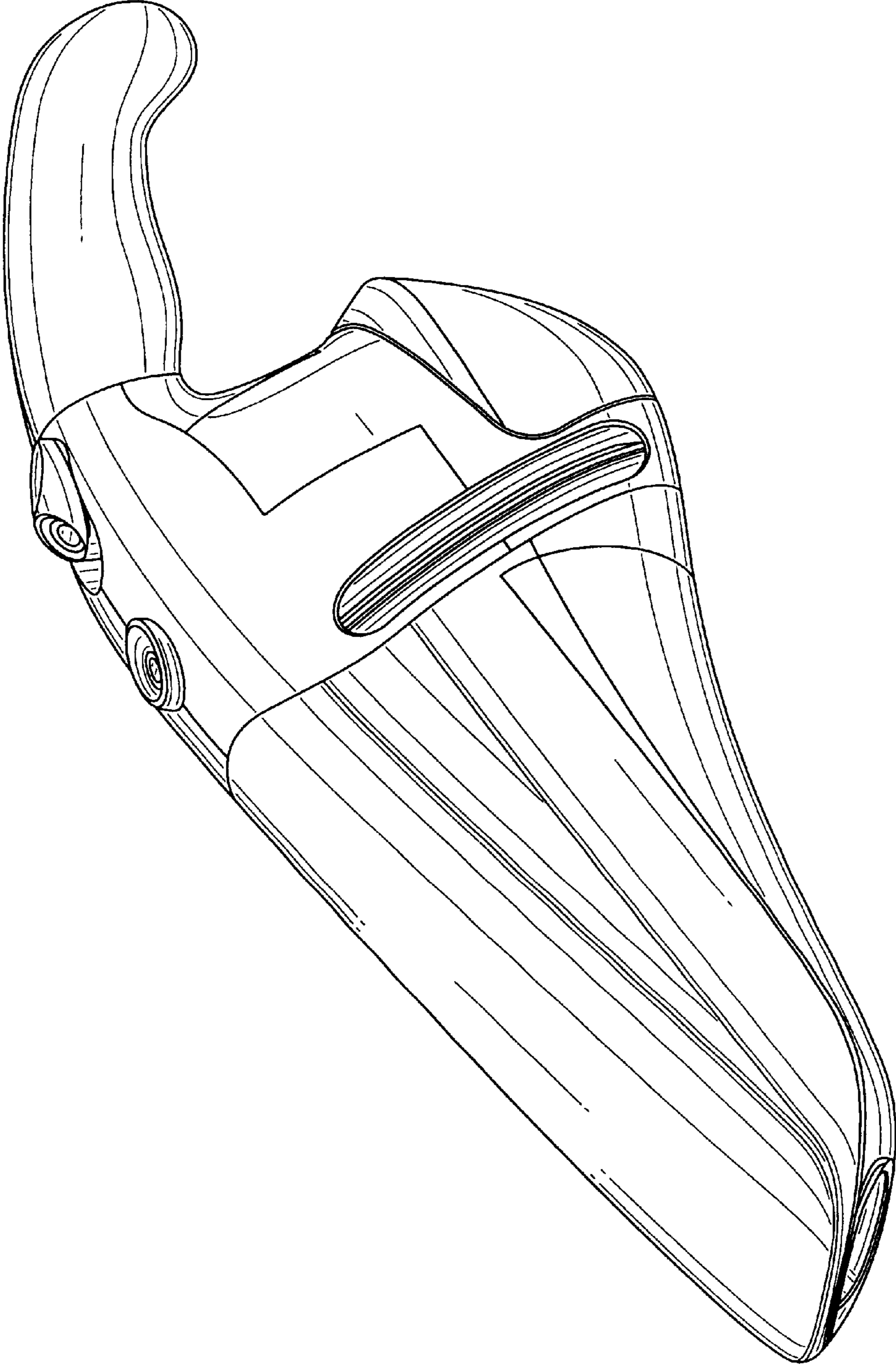


FIG. 4

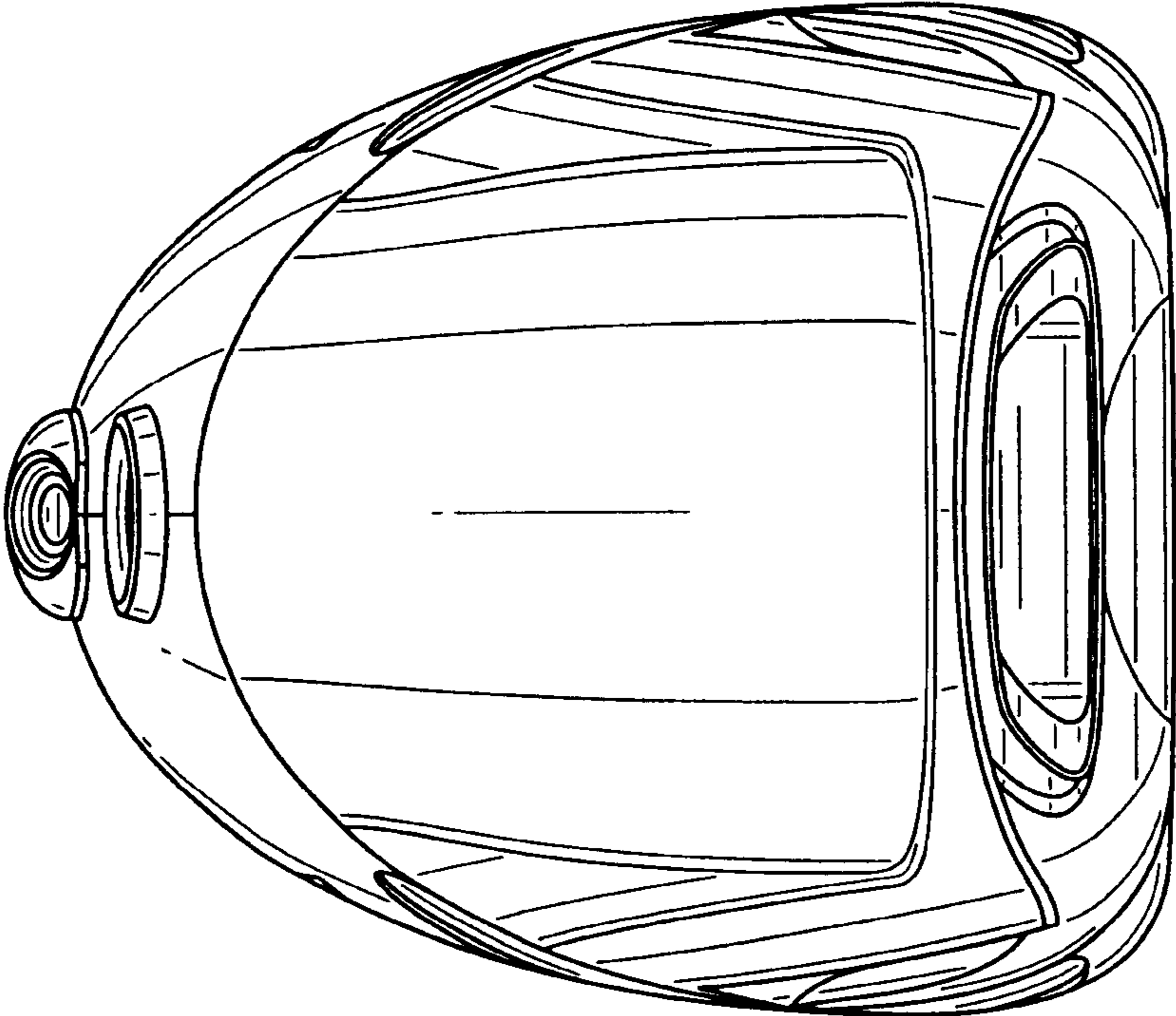


FIG. 5

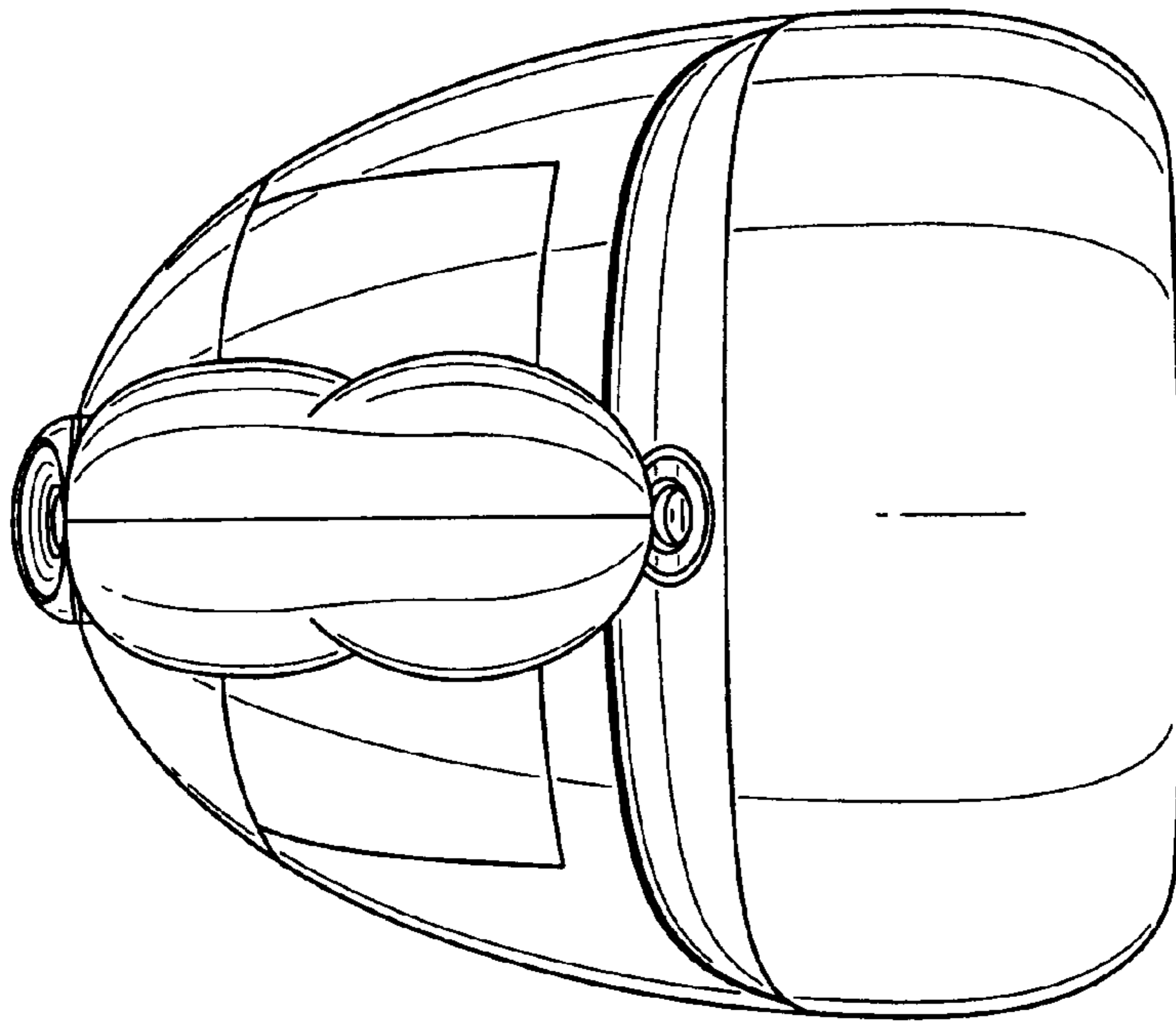


FIG. 6

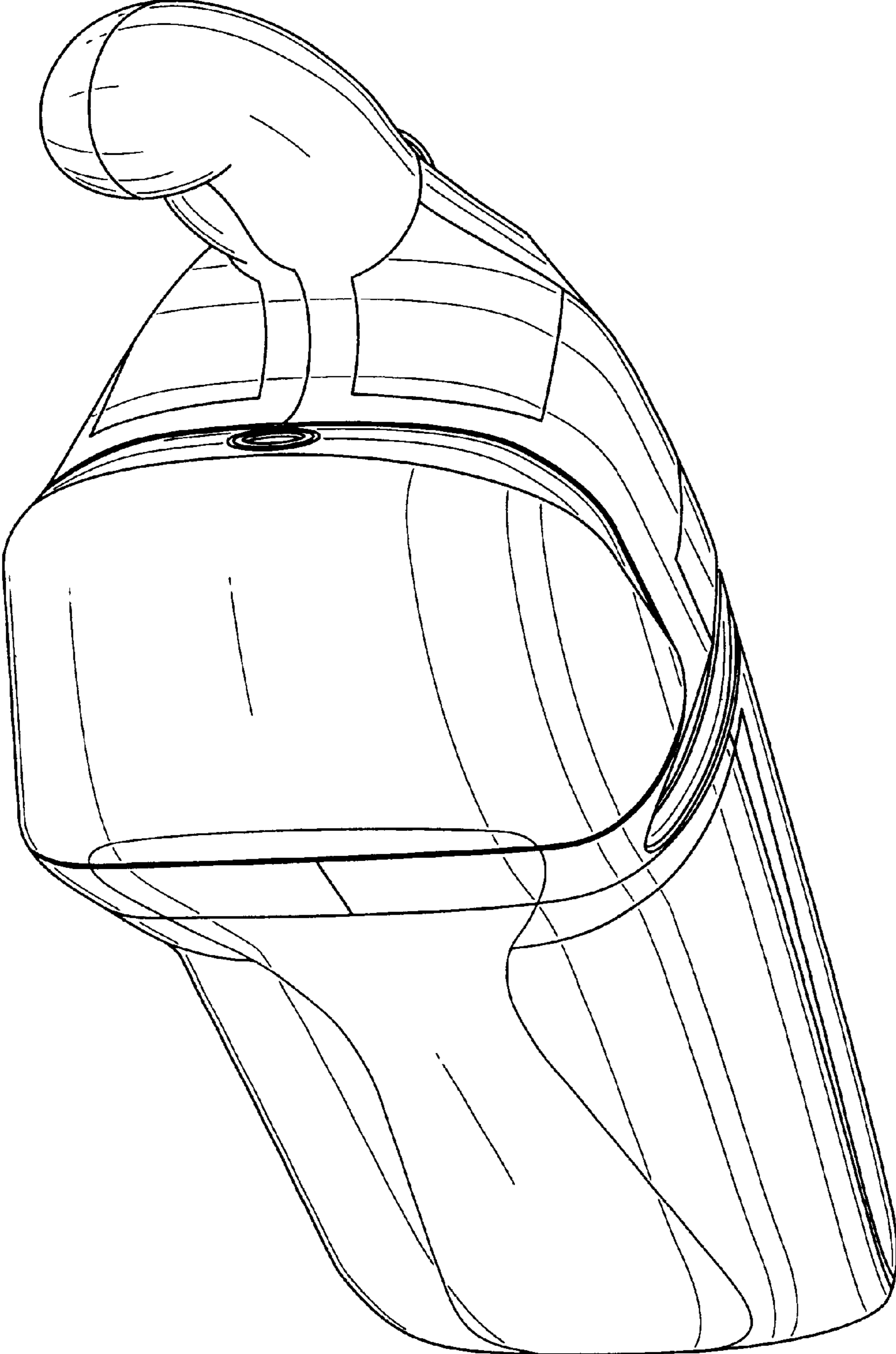


FIG. 7