

US00D511596S

(12) **United States Design Patent**
Mugford

(10) **Patent No.:** **US D511,596 S**

(45) **Date of Patent:** **** Nov. 15, 2005**

(54) **HARNESS FOR ANIMALS**

D245,350 S 8/1977 Geary D30/38
D263,636 S 3/1982 Bassani D30/38
4,337,610 A * 7/1982 Taylor 54/24

(75) **Inventor:** **Roger A. Mugford**, Chertsey (GB)

(73) **Assignee:** **The Company of Animals Limited**,
Surrey (GB)

(**) **Term:** **14 Years**

(21) **Appl. No.:** **29/211,748**

(22) **Filed:** **Aug. 20, 2004**

(30) **Foreign Application Priority Data**

Feb. 20, 2004 (EM) 000142047

(51) **LOC (8) Cl.** **30-04**

(52) **U.S. Cl.** **D30/152**

(58) **Field of Search** 119/702, 712,
119/792, 815, 818, 856, 863, 864, 905,
907; D30/152, 144; D21/805, 804; D3/217,
327; D29/101.1, 101.5, 101.3; D24/190;
D34/28

(56) **References Cited**

U.S. PATENT DOCUMENTS

206,586 A	7/1878	Leland	
321,957 A	7/1885	Enoch	
409,867 A	8/1889	Philpott	
422,626 A	3/1890	Pruyne	
462,743 A	11/1891	Sisson	
660,494 A	10/1900	Evans	
1,276,462 A	8/1918	Welch et al.	
1,508,601 A	* 9/1924	Huff	119/792
1,906,043 A	* 4/1933	Bernstein	119/856
2,026,383 A	* 12/1935	Gyulay	119/863
2,187,021 A	1/1940	Everson	119/96
2,219,569 A	* 10/1940	Vanderhoof	119/860
D135,752 S	* 6/1943	Curtis	D30/152
2,510,337 A	6/1950	Franklin	119/130
2,932,930 A	4/1960	Ray	54/24
3,312,039 A	4/1967	Reed	54/24
3,768,445 A	* 10/1973	Sorrels	119/856
3,948,222 A	4/1976	Longshore et al.	119/96
3,994,264 A	* 11/1976	Flynt	119/815

(Continued)

FOREIGN PATENT DOCUMENTS

AU	74813	5/1978
AU	83864	4/1981
AU	84730	7/1981
GB	1312271	4/1973
GB	1019303	4/1984
GB	1025599	3/1985

OTHER PUBLICATIONS

SENSE-ation™ and SENSE-ible™ Dog Harnesses by Softouch Concepts, Inc.; 5 pages downloaded from website Nov. 17, 2004.

Brochure entitled "HALTI A Revolution In Training and Control", copyright 1985.

Two pages from Brauer Bros. Mfg. Co. (undated), see Nos. 2 and 14 for Single Leather Harness and No. 73 for Fancy Double Leather Harness.

Primary Examiner—Alan P. Douglas

Assistant Examiner—Susan Moon Lee

(74) *Attorney, Agent, or Firm*—Synnestvedt & Lechner LLP

(57) **CLAIM**

The ornamental design for a harness for animals, as shown and described.

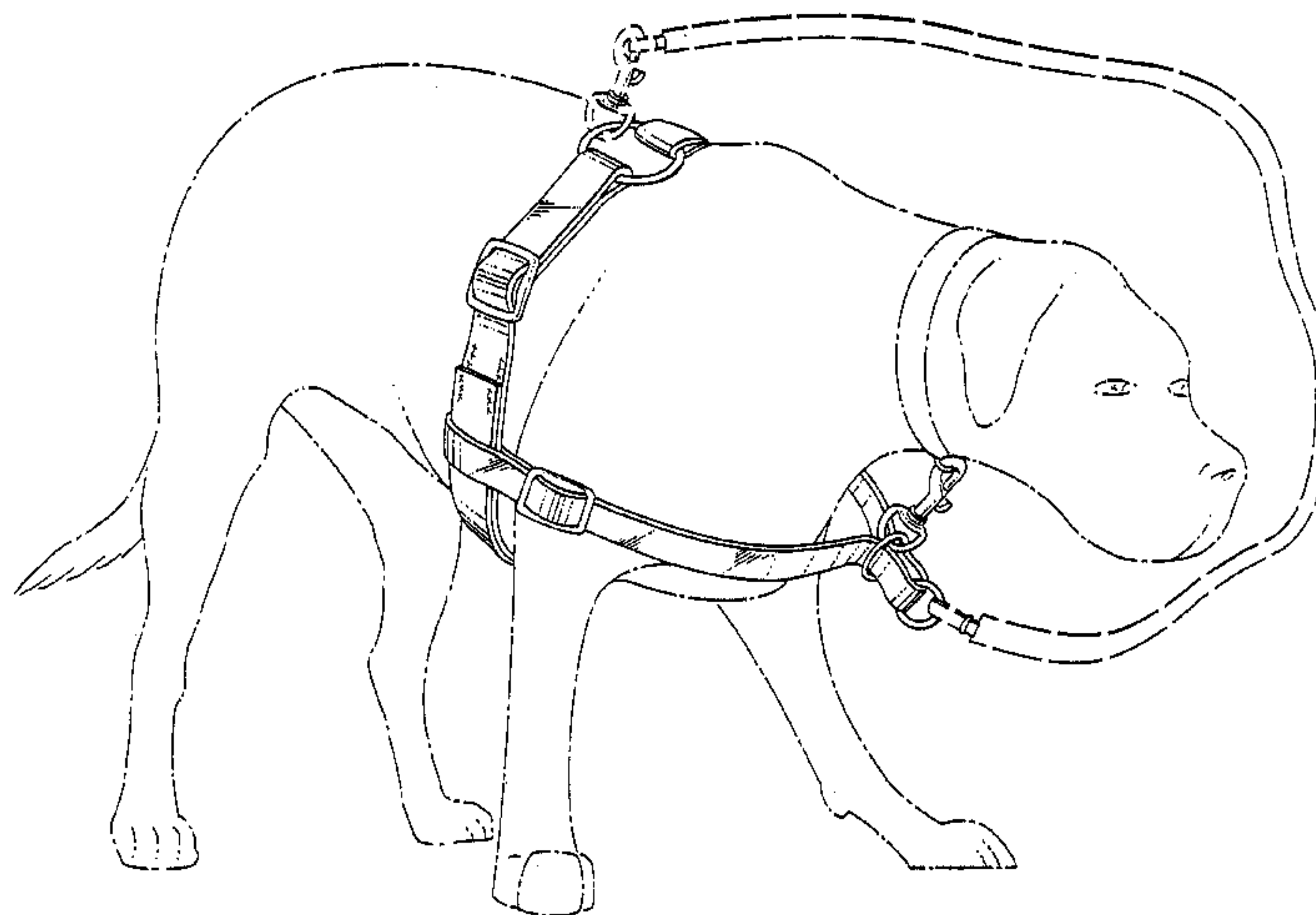
DESCRIPTION

FIG. 1 is a perspective view of my design for a harness for animals;

FIG. 2 is a left side view of my design for a harness for animals, the right side view being shown in FIG. 1; and, FIG. 3 is a perspective view of my design for a harness for animals shown in use on a dog.

The broken lines shown in FIG. 3 are for illustration purposes only and form no part of the claimed design.

1 Claim, 3 Drawing Sheets



US D511,596 S

Page 2

U.S. PATENT DOCUMENTS

4,483,275	A	11/1984	De Groot	119/130	D378,150	S	2/1997	DuBarry	D30/152
4,528,944	A	* 7/1985	Reed et al.	119/702	5,676,093	A	* 10/1997	Sporn	119/792
4,566,255	A	1/1986	DeGroot	54/24	5,893,339	A	* 4/1999	Liu	119/792
4,621,591	A	11/1986	Anderson et al.	119/130	5,992,352	A	11/1999	Borchelt et al.	119/856
D293,139	S	* 12/1987	Roa	D30/152	D434,535	S	11/2000	Koch	D30/152
D310,435	S	* 9/1990	Cleveland	D30/152	6,164,245	A	* 12/2000	Johnson	119/712
D313,677	S	* 1/1991	Hammon et al.	D30/152	6,167,844	B1	* 1/2001	Cantrell et al.	119/856
5,329,885	A	* 7/1994	Sporn	119/864	6,314,915	B1	* 11/2001	Pope et al.	119/712
5,359,964	A	* 11/1994	Sporn	119/864	D458,717	S	6/2002	Mugford	D30/152
5,370,083	A	12/1994	Sporn	119/864	6,564,754	B1	* 5/2003	Cohen	119/856
5,427,061	A	* 6/1995	McCullough	119/771	2002/0033145	A1	* 3/2002	Clark	119/856
5,503,113	A	* 4/1996	Knight	119/856	2002/0053324	A1	* 5/2002	Kato	119/856

* cited by examiner

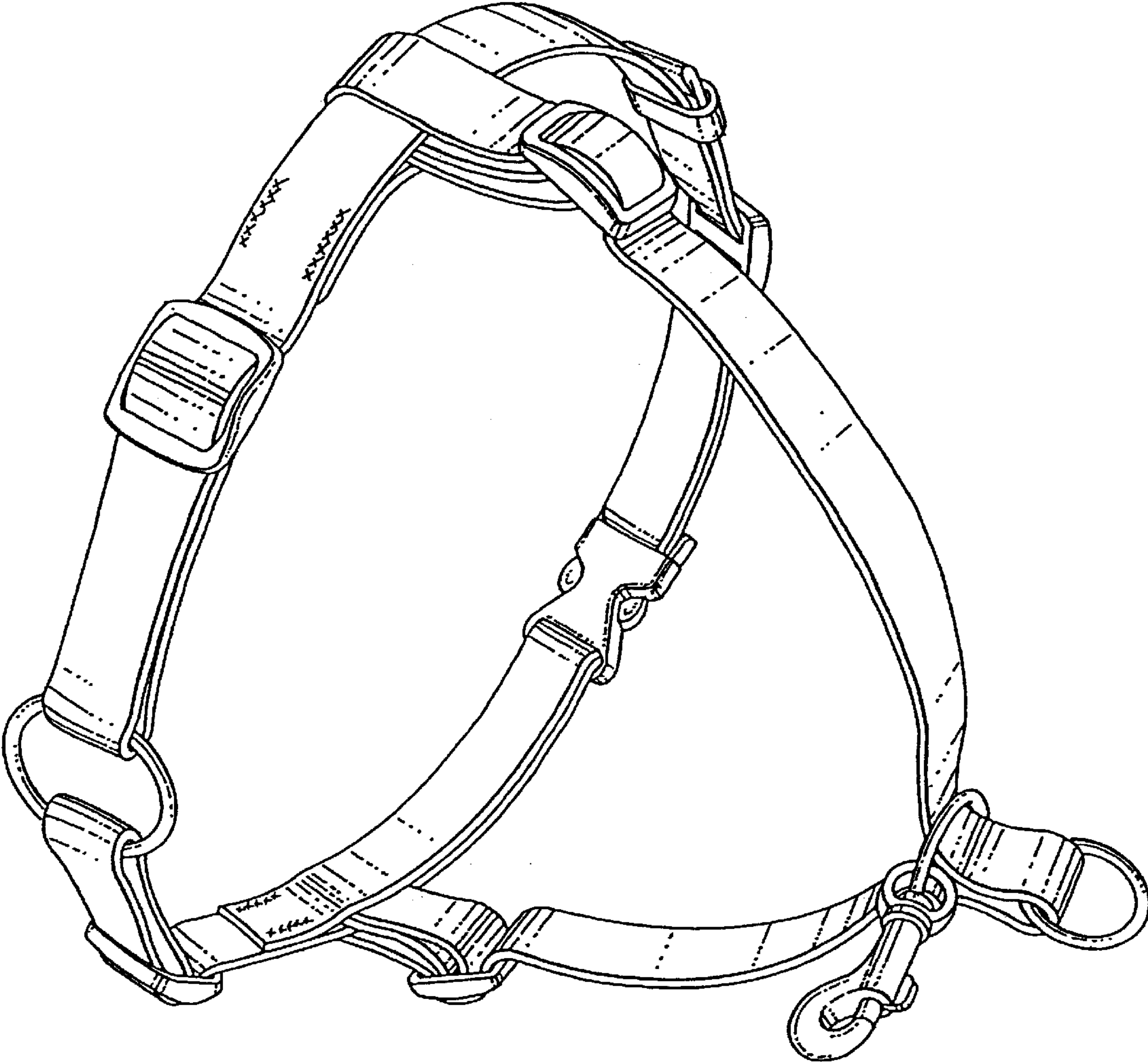


FIGURE 1

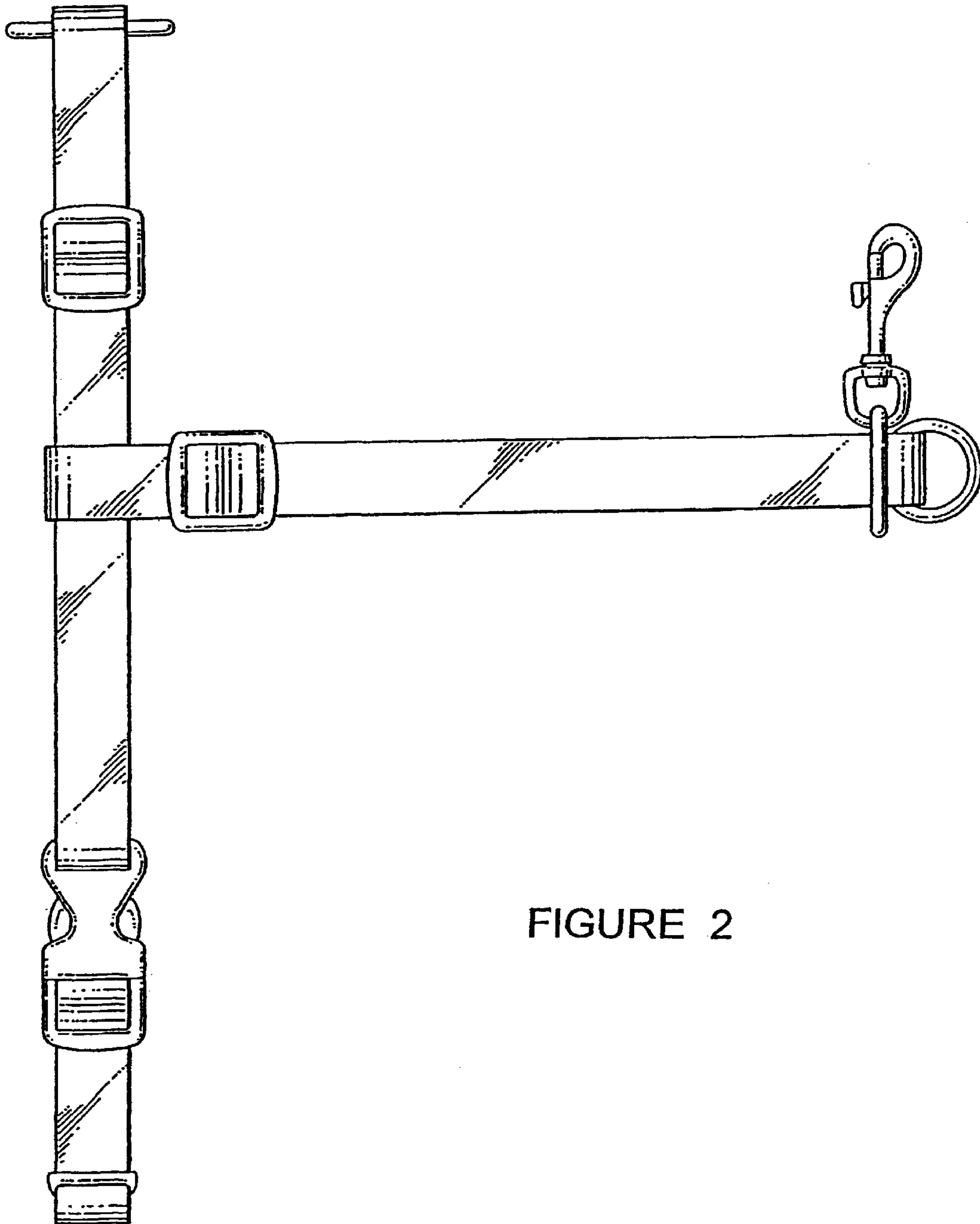


FIGURE 2

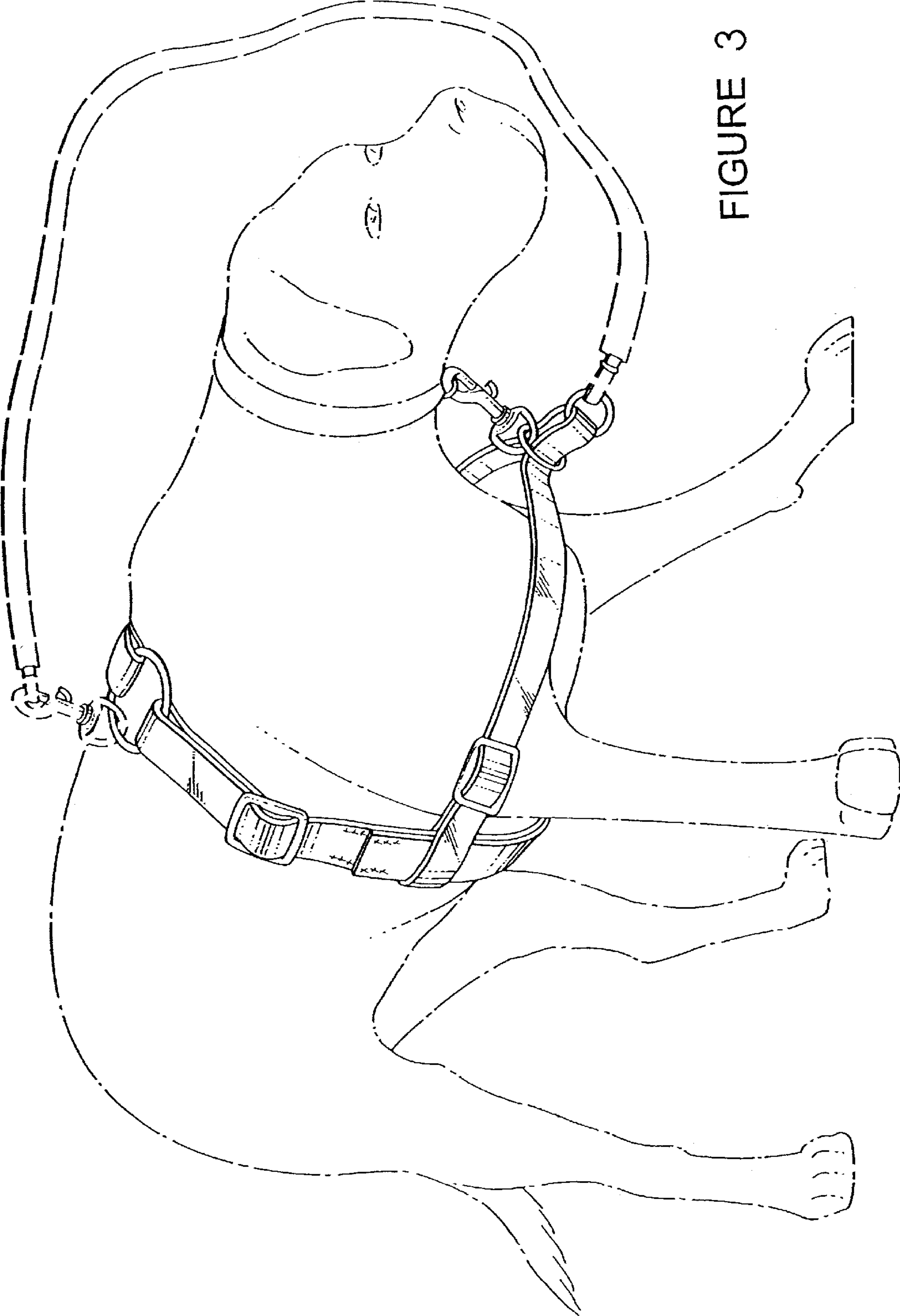


FIGURE 3