



US00D511584S

(12) **United States Design Patent**  
**Lin**

(10) **Patent No.:** **US D511,584 S**

(45) **Date of Patent:** **\*\* Nov. 15, 2005**

(54) **VEHICLE REAR LIGHT**

D497,017 S \* 10/2004 He ..... D26/28

(76) **Inventor:** **Benny Lin**, No. 16, Lane 143, Sec. 2,  
Kuangfu Rd., Sanchung City, Taipei  
Hsien (TW)

\* cited by examiner

*Primary Examiner*—Marcus A. Jackson  
(74) *Attorney, Agent, or Firm*—Alan D. Kamrath; Nikolai  
& Mersereau, P.A.

(\*\*) **Term:** **14 Years**

(57) **CLAIM**

(21) **Appl. No.:** **29/209,406**

The ornamental design for a vehicle rear light, as shown.

(22) **Filed:** **Jul. 14, 2004**

**DESCRIPTION**

(51) **LOC (8) Cl.** ..... **26-06**

FIG. 1 is a perspective view of a vehicle rear light showing  
my new design;

(52) **U.S. Cl.** ..... **D26/28**

FIG. 2 is a front elevational view thereof;

(58) **Field of Search** ..... D26/28-36; 362/457-468,

FIG. 3 is a rear elevational view thereof;

362/475-478, 485-487

FIG. 4 is a left elevational view thereof;

(56) **References Cited**

FIG. 5 is a right elevational view thereof;

**U.S. PATENT DOCUMENTS**

FIG. 6 is a top plan view thereof; and,

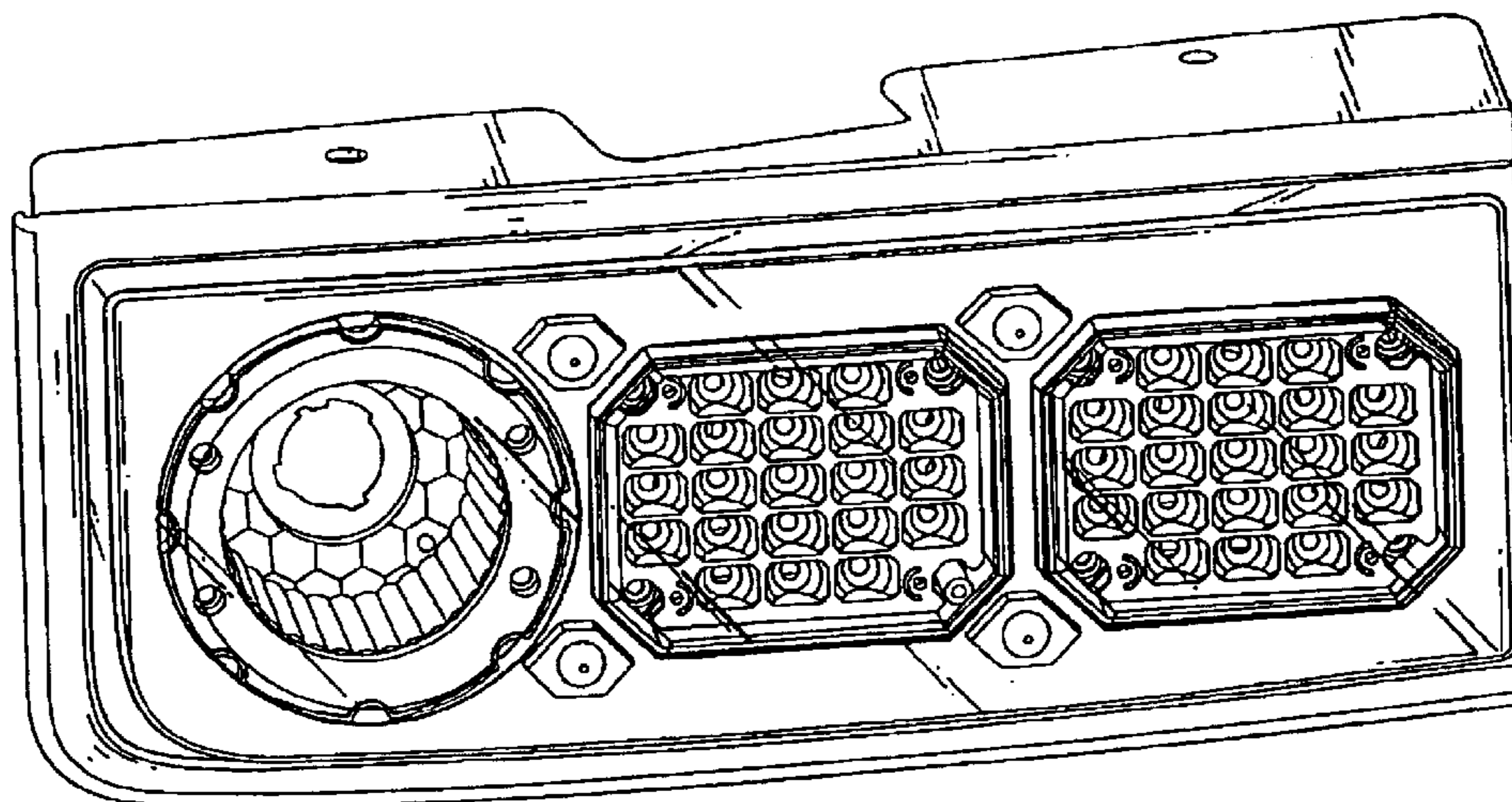
FIG. 7 is a bottom plan view thereof.

D474,289 S \* 5/2003 Lin ..... D26/28

D478,182 S \* 8/2003 Lin ..... D26/28

D483,889 S \* 12/2003 Chen ..... D26/28

**1 Claim, 6 Drawing Sheets**



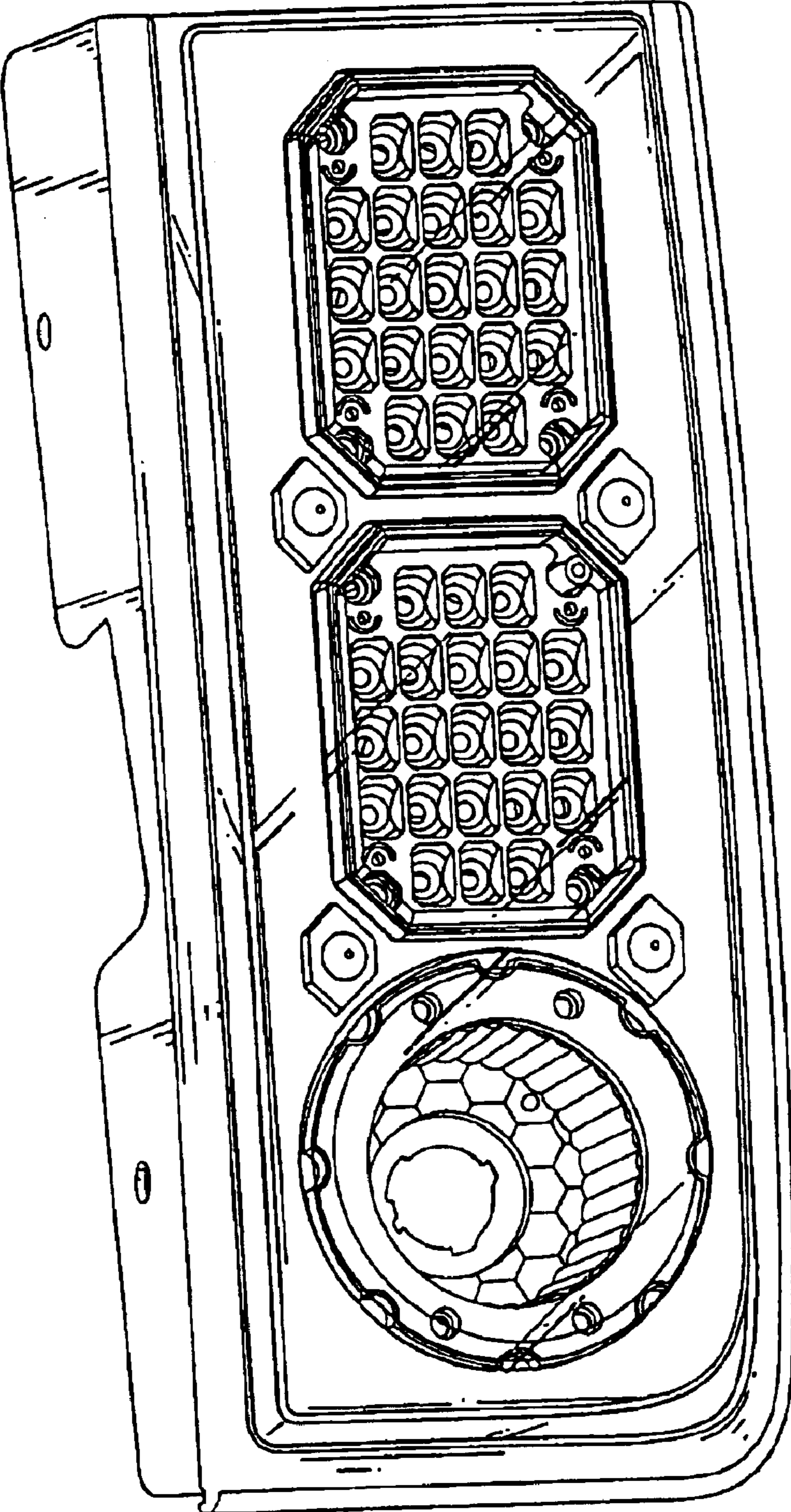


FIG.1

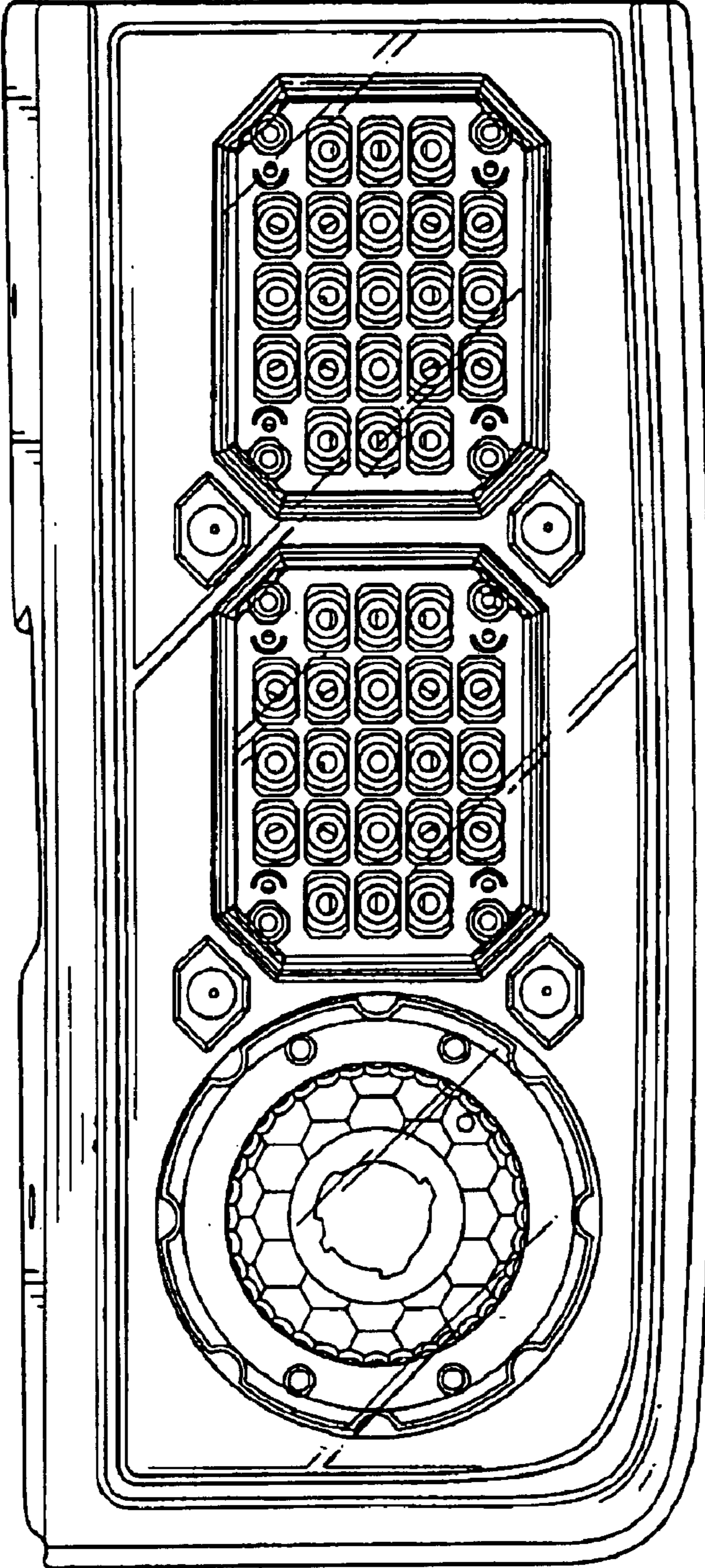


FIG.2

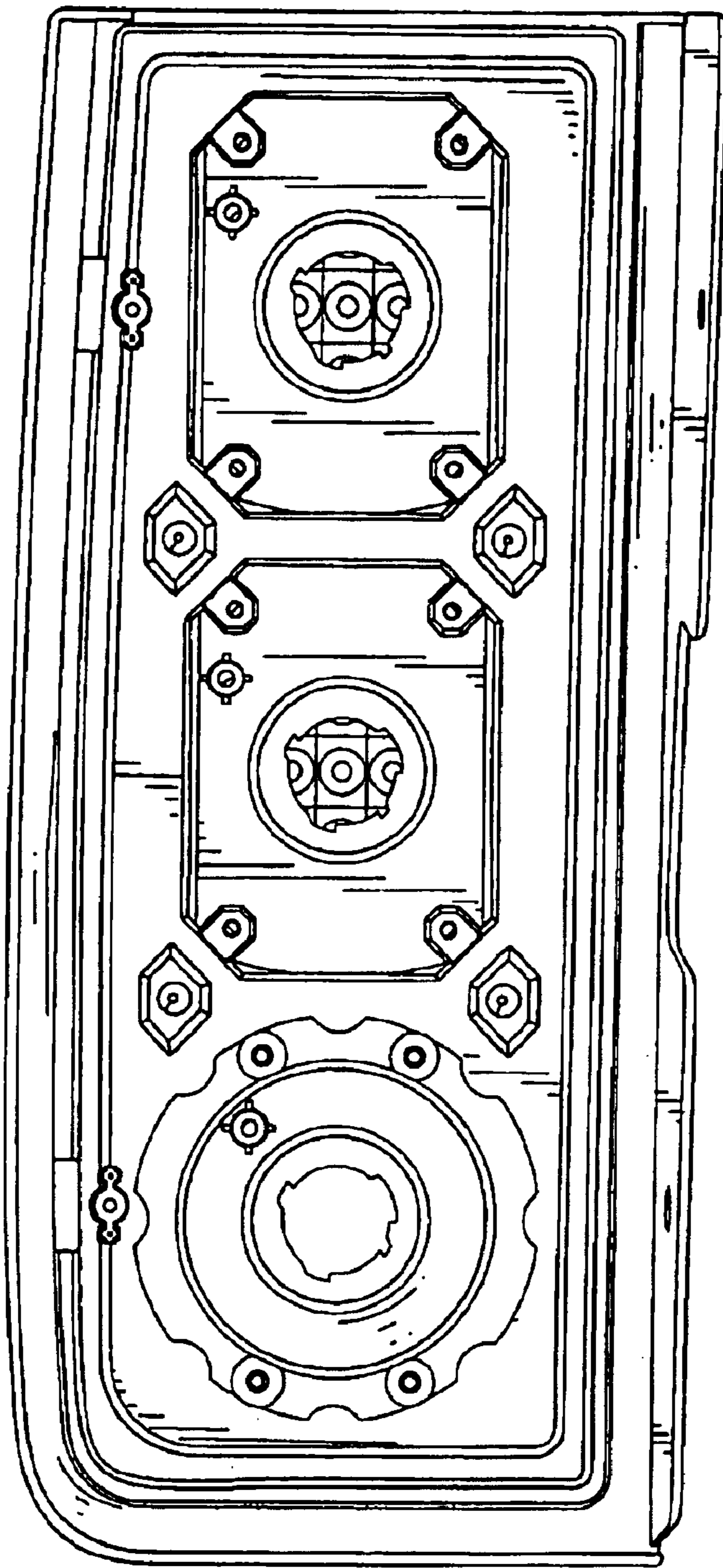


FIG. 3

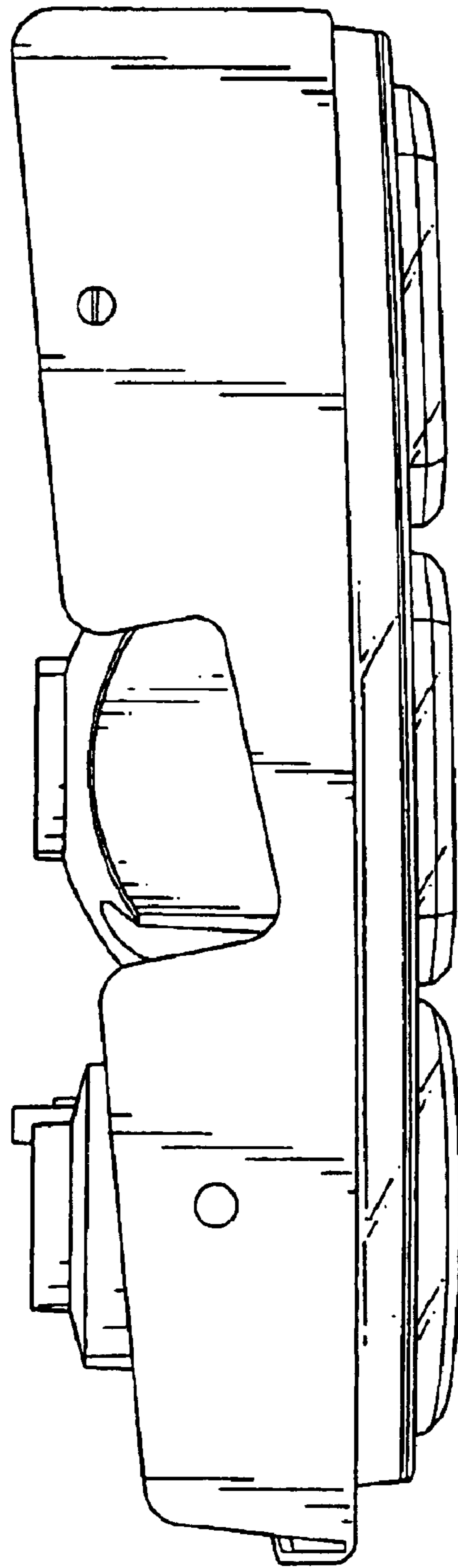


FIG.4

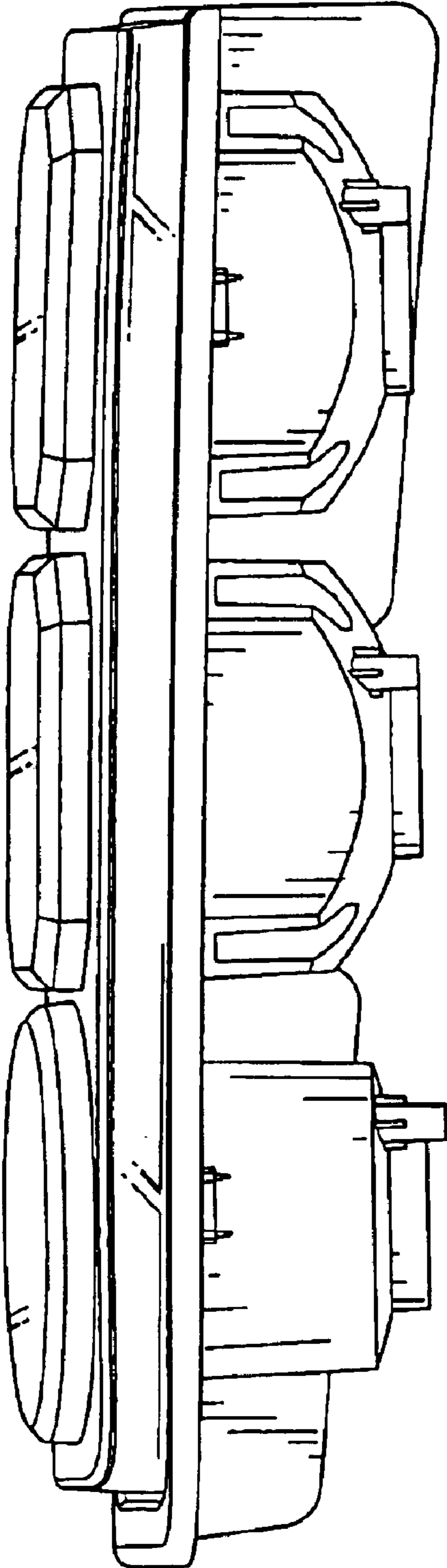


FIG.5

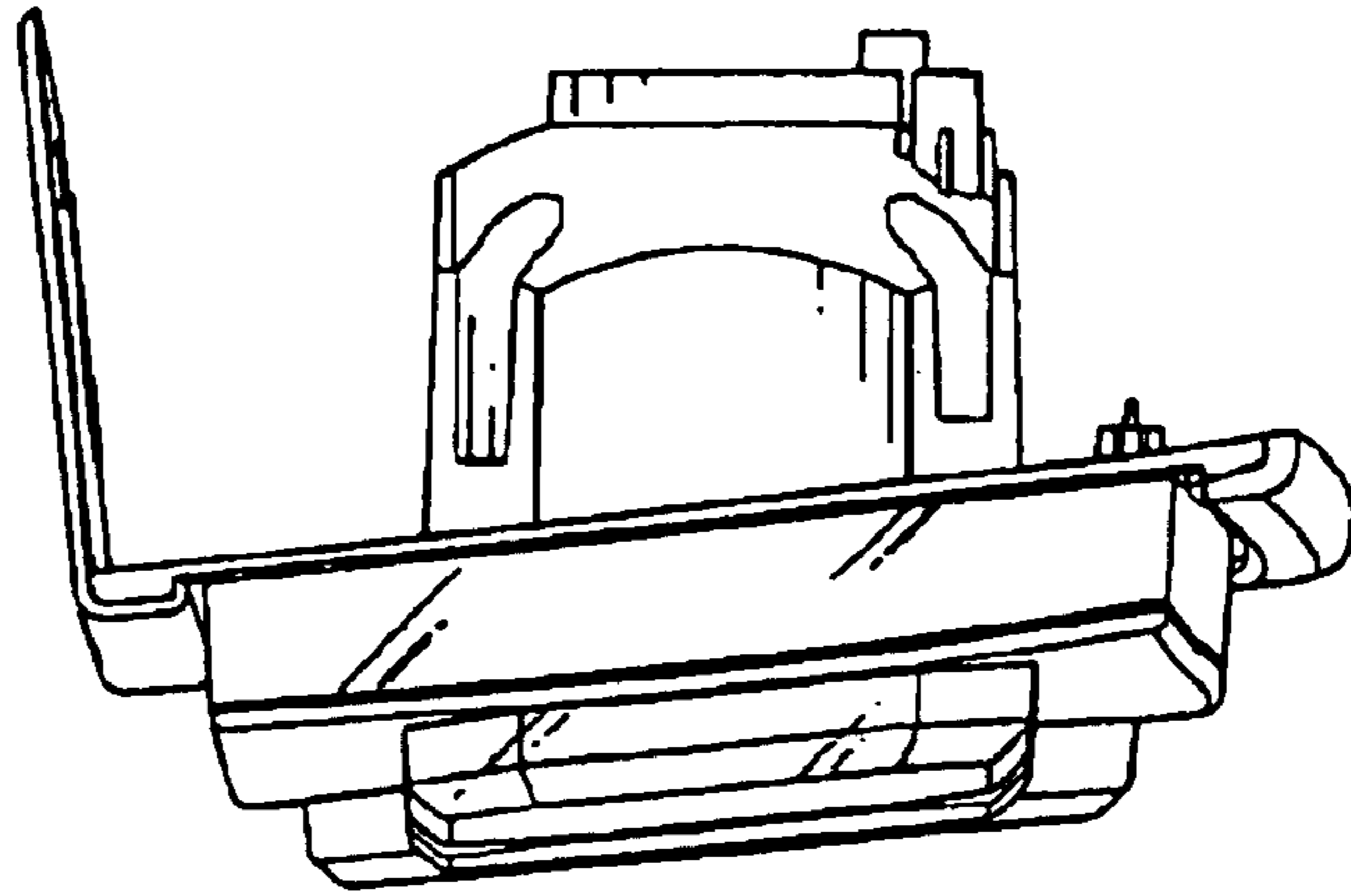


FIG. 6

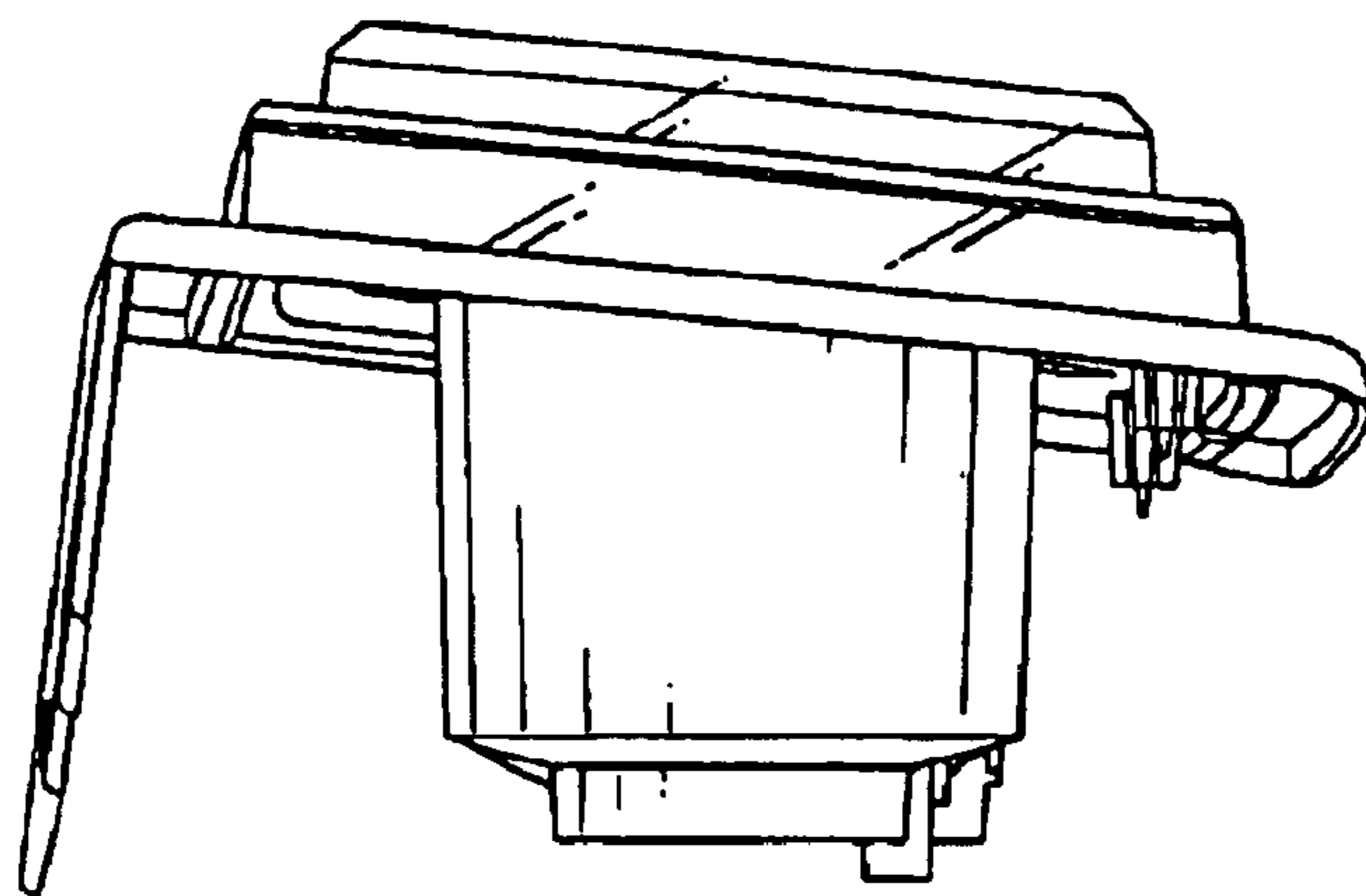


FIG. 7