



US00D511583S

(12) **United States Design Patent** (10) **Patent No.:** **US D511,583 S**
Tanaka et al. (45) **Date of Patent:** **** Nov. 15, 2005**

(54) **HEADLIGHT**

(75) Inventors: **Shunji Tanaka**, Kobe (JP); **Seiichi Ino**, Kakogawa (JP); **Naoki Hashimoto**, Kakogawa (JP)

(73) Assignee: **Kawasaki Jukogyo Kabushiki Kaisha**, Kobe (JP)

(**) Term: **14 Years**

(21) Appl. No.: **29/206,438**

(22) Filed: **May 27, 2004**

(51) **LOC (8) Cl.** **26-06**

(52) **U.S. Cl.** **D26/28**

(58) **Field of Search** D26/28-36; 362/457-468, 362/475-477, 485-487

(56) **References Cited**

U.S. PATENT DOCUMENTS

D477,428 S	7/2003	Hill et al.	
D479,011 S	* 8/2003	Churchill D26/28
D490,915 S	* 6/2004	Montgomery et al. D26/28
D494,293 S	* 8/2004	Pfeiffer D26/28

OTHER PUBLICATIONS

http://www.deere.com/en_US/ProductCatalog/HO/series/HO_gator_hp_series.html, "Gator High-Performance Series Utility Vehicles," Mar. 5, 2004 (1 page).

* cited by examiner

Primary Examiner—Marcus A. Jackson

(74) *Attorney, Agent, or Firm*—Alleman Hall McCoy Russell & Tuttle LLP

(57) **CLAIM**

The ornamental design for a headlight, as shown and described.

DESCRIPTION

FIG. 1 is a front view of a headlight according to an embodiment of the present invention, showing a front of a transparent cover, the surface of which is indicated by oblique lines, through which a light bulb and reflector of the head lamp are visible, as indicated in thin solid lines.

FIG. 2 is a rear view of the headlight of FIG. 1.

FIG. 3 is a top view of the headlight of FIG. 1.

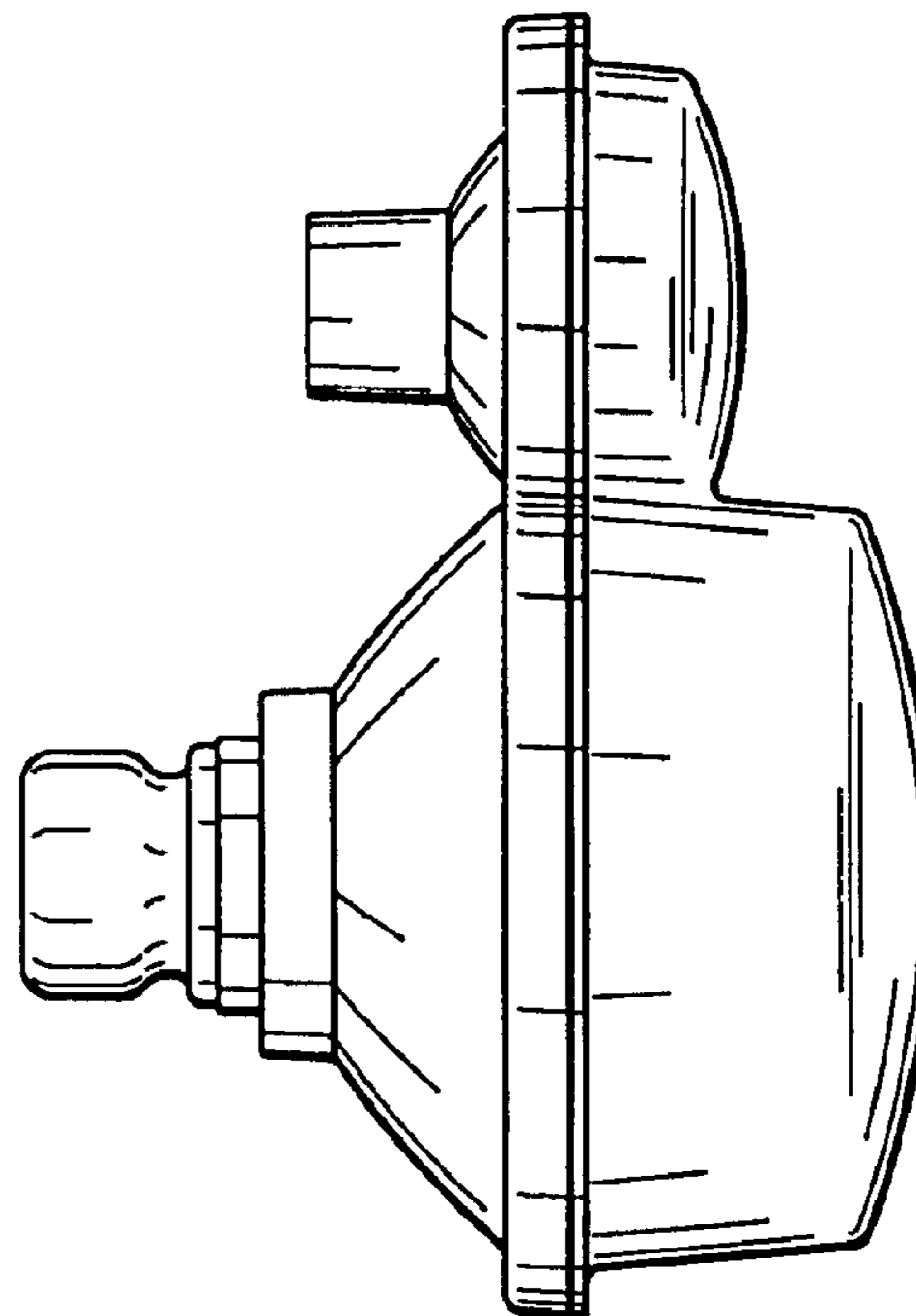
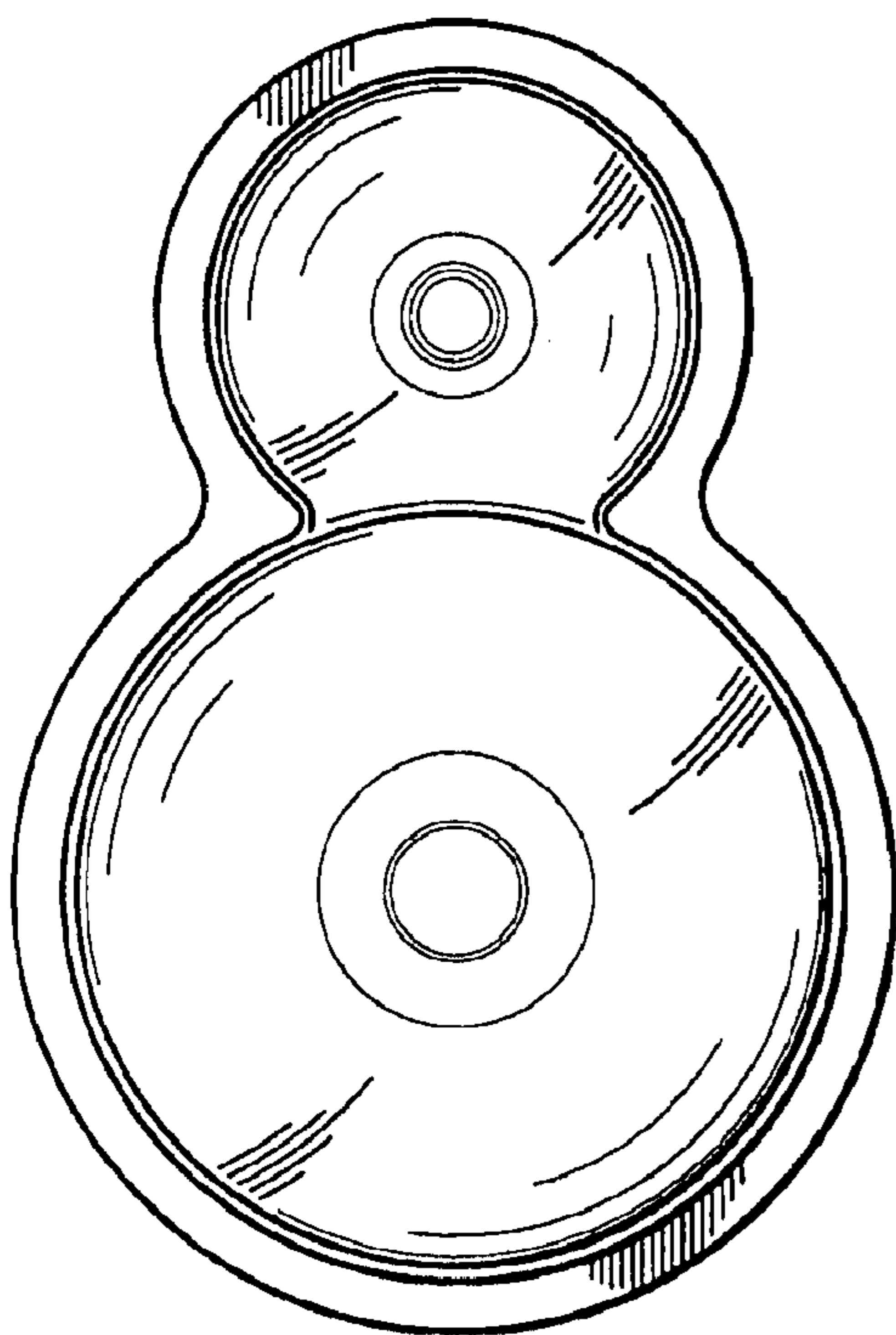
FIG. 4 is a bottom view of the headlight of FIG. 1.

FIG. 5 is a left side view of the headlight of FIG. 1. The right side view is symmetrical with the left side view, and therefore is omitted; and,

FIG. 6 is a front view of the headlight of FIG. 1, shown installed in a vehicle.

The broken lines show environment and form no part of the claimed design.

1 Claim, 3 Drawing Sheets



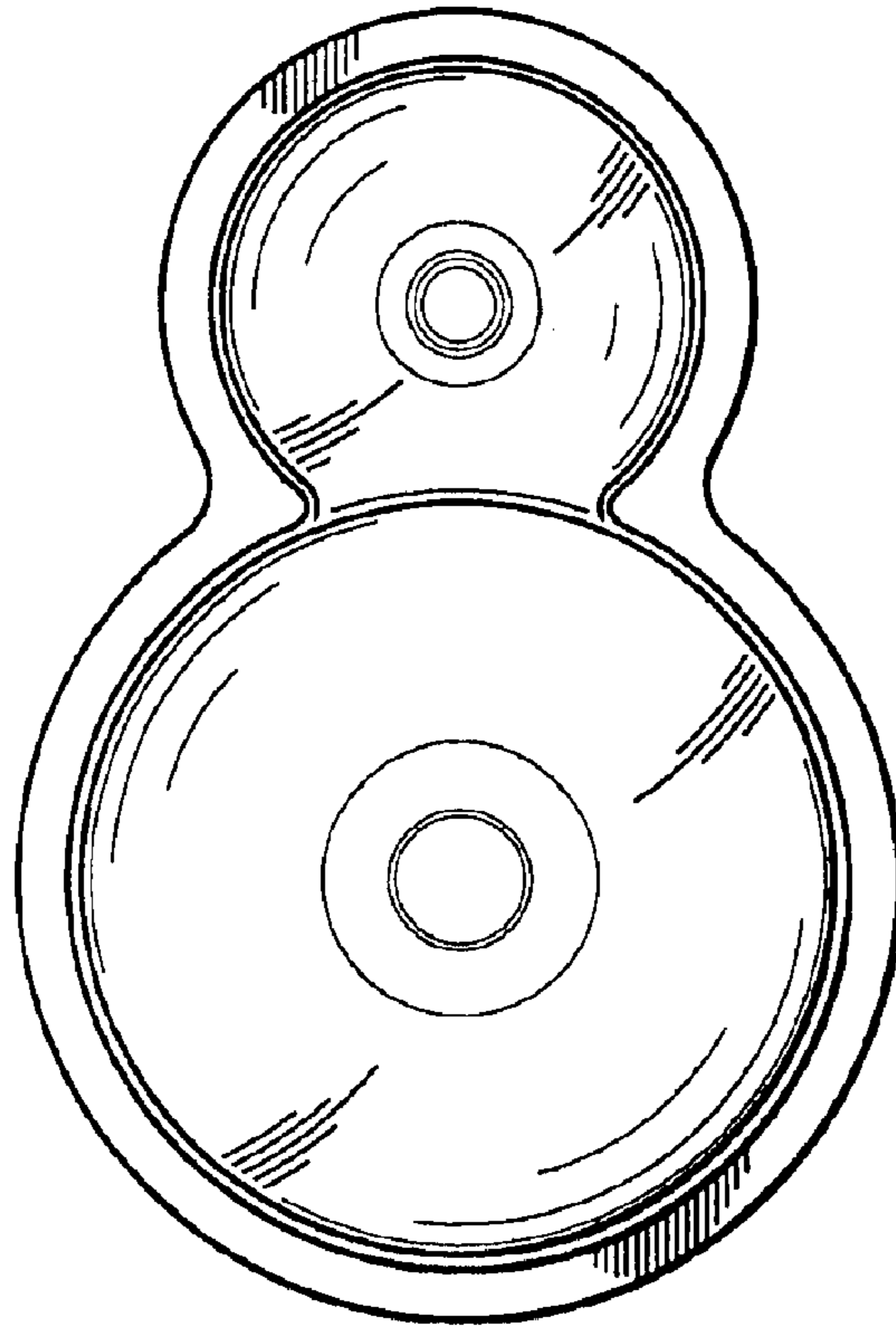


FIG. 1

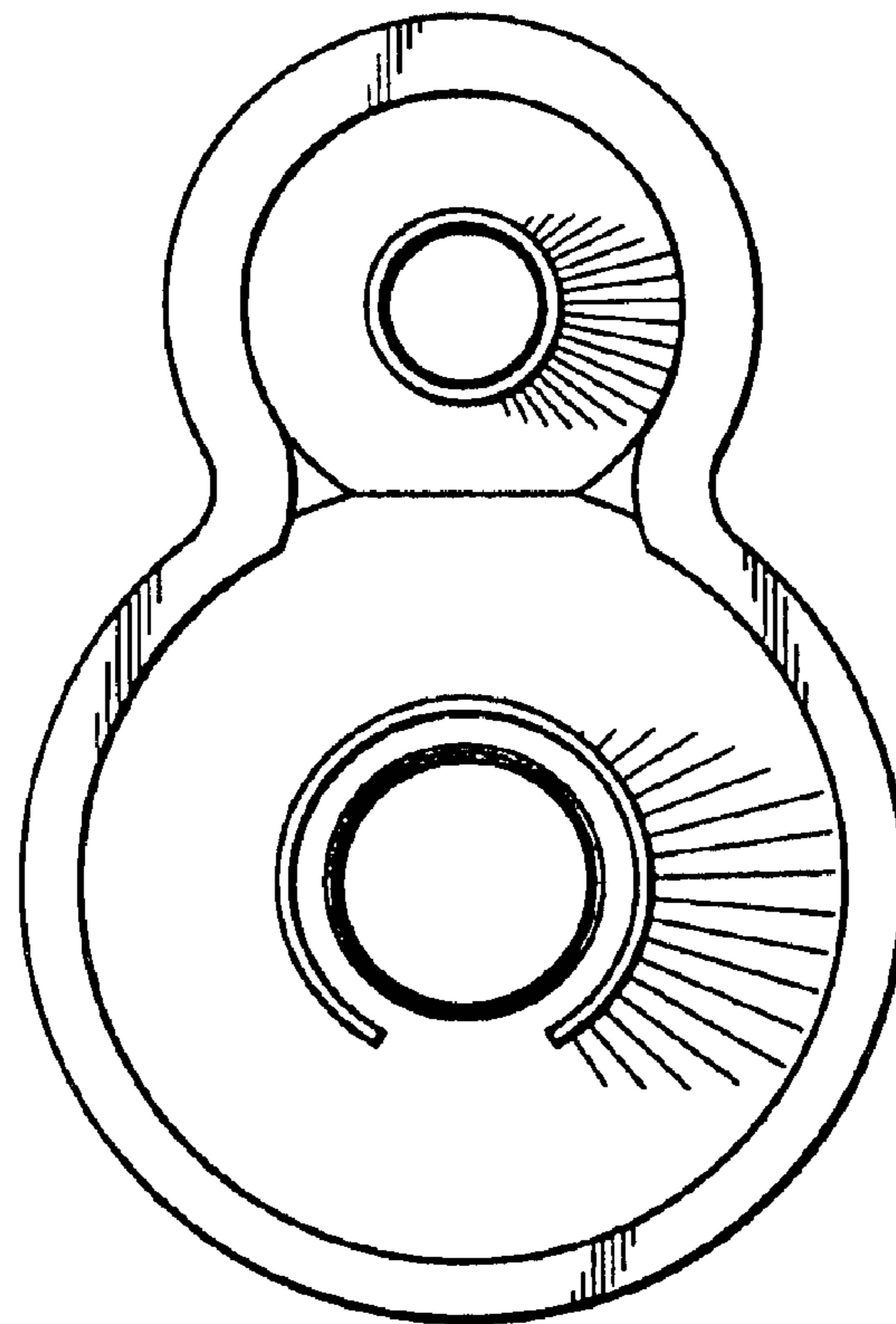


FIG. 2

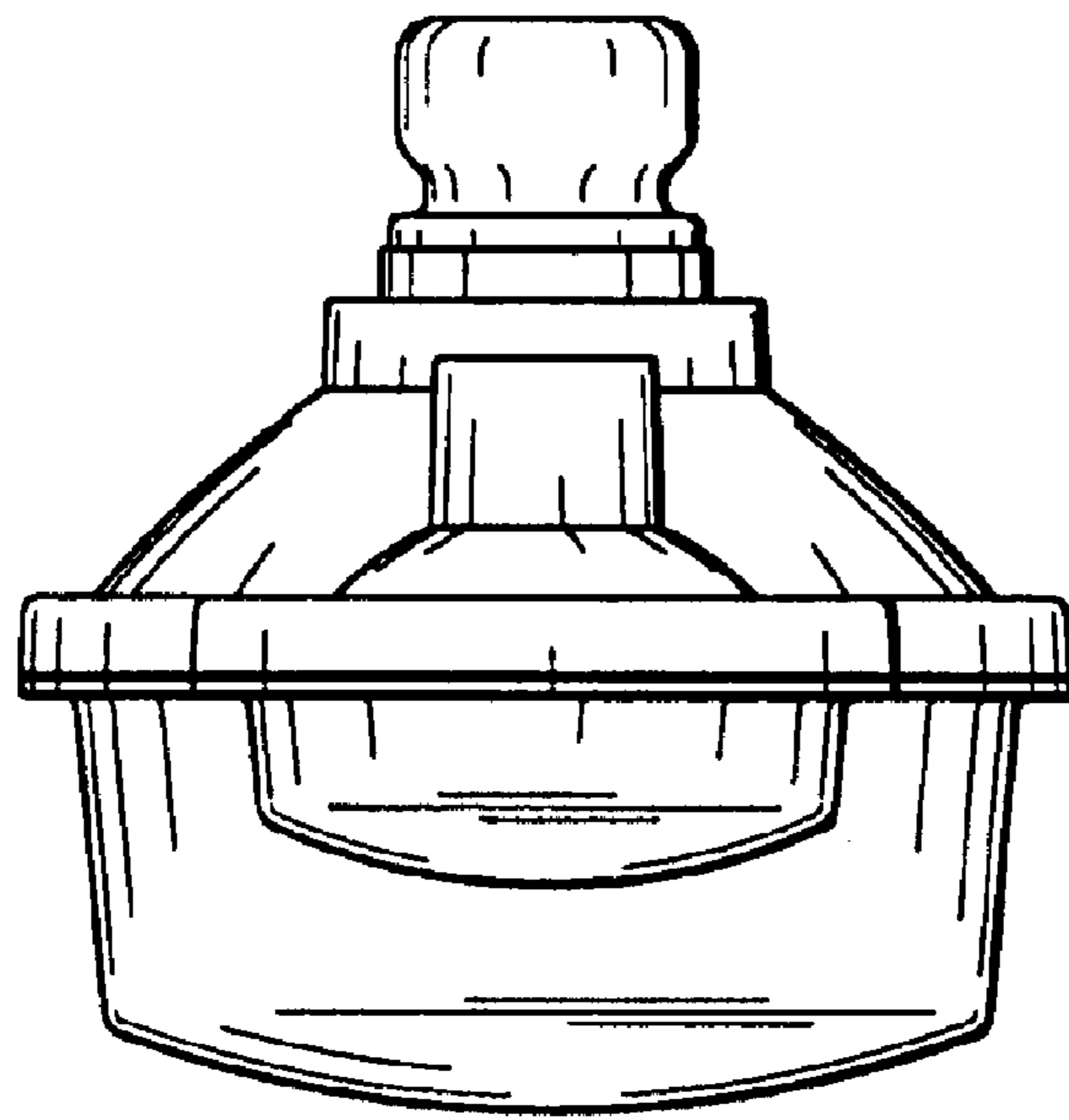


FIG. 3

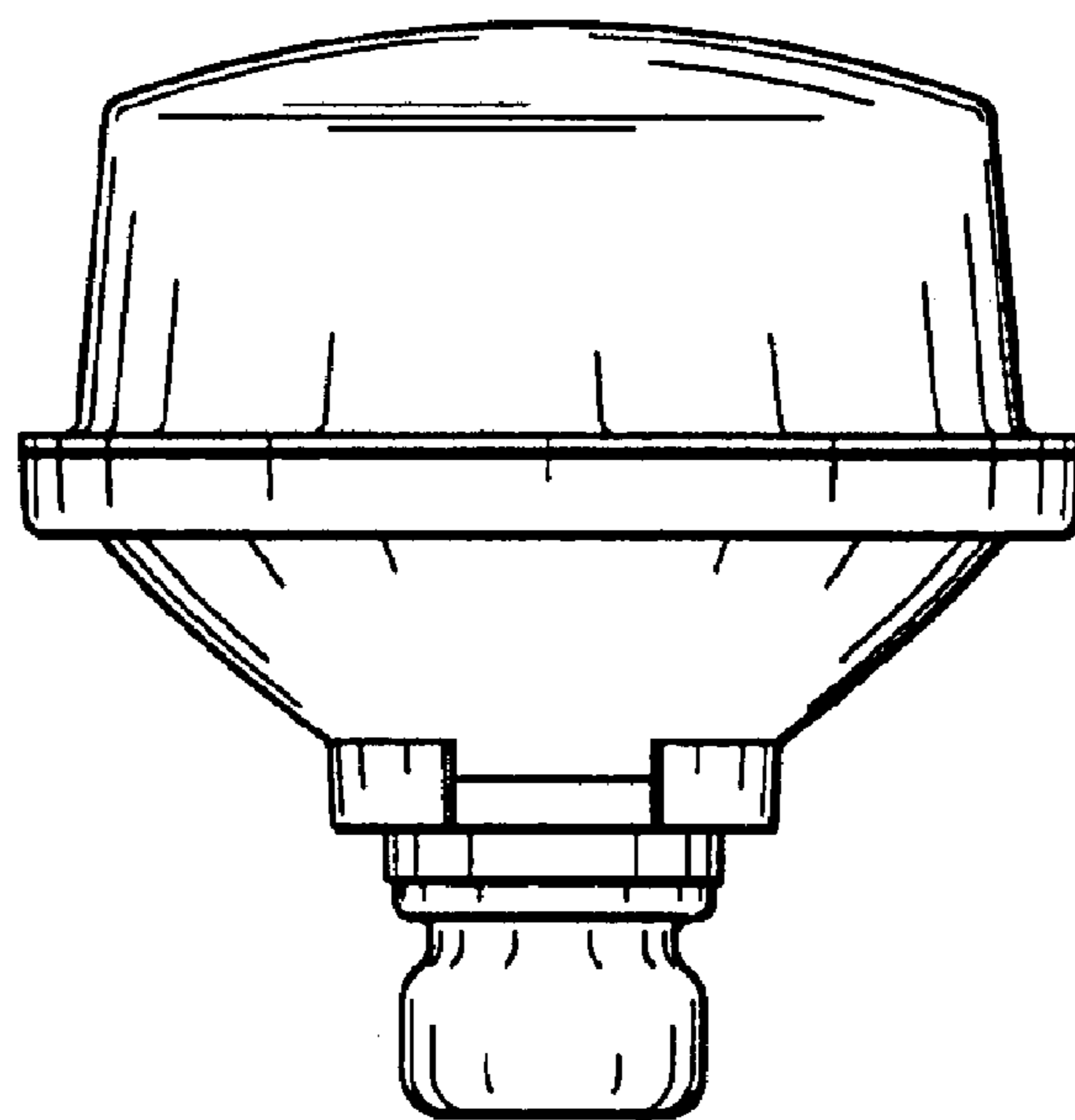


FIG. 4

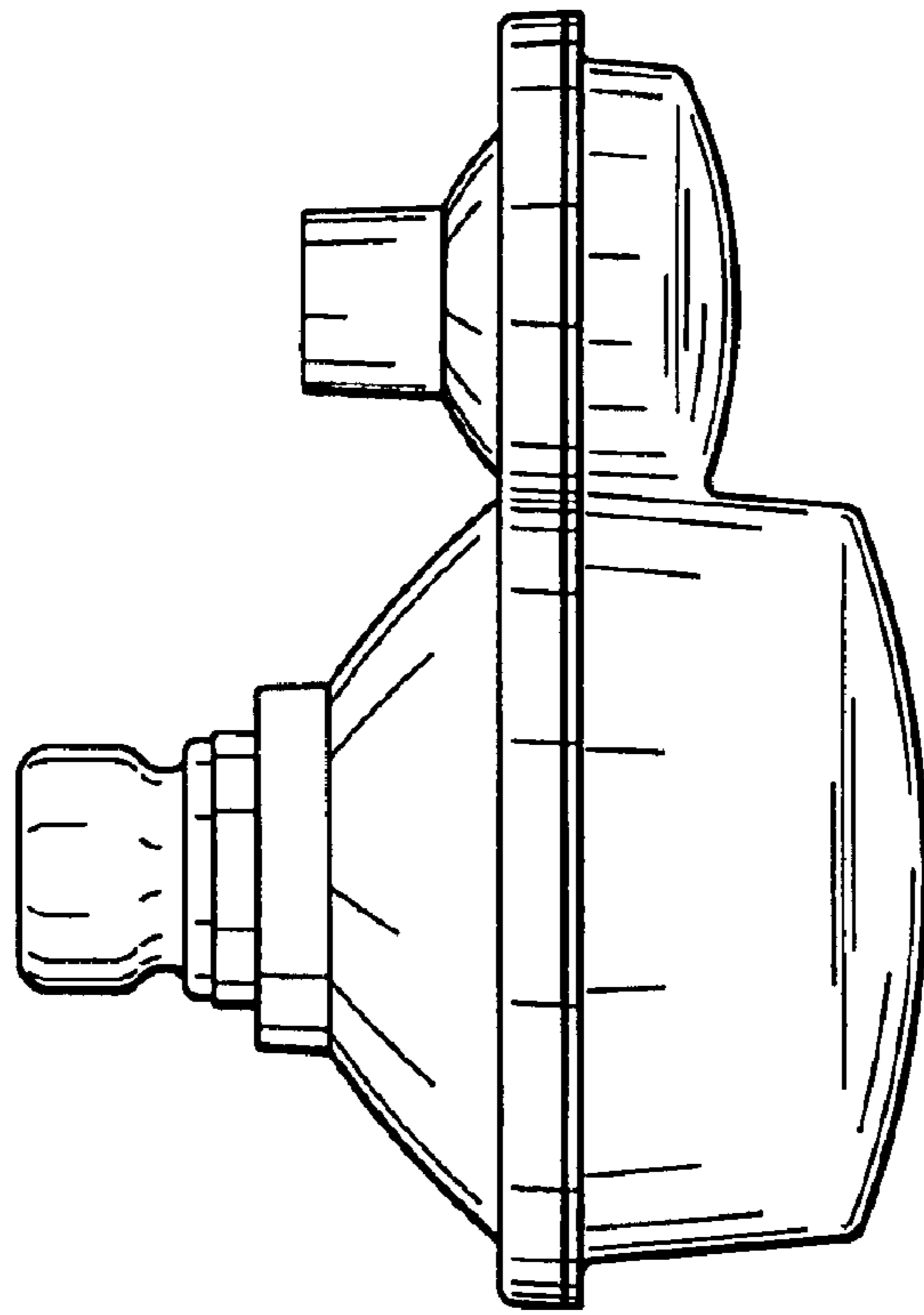


FIG. 5

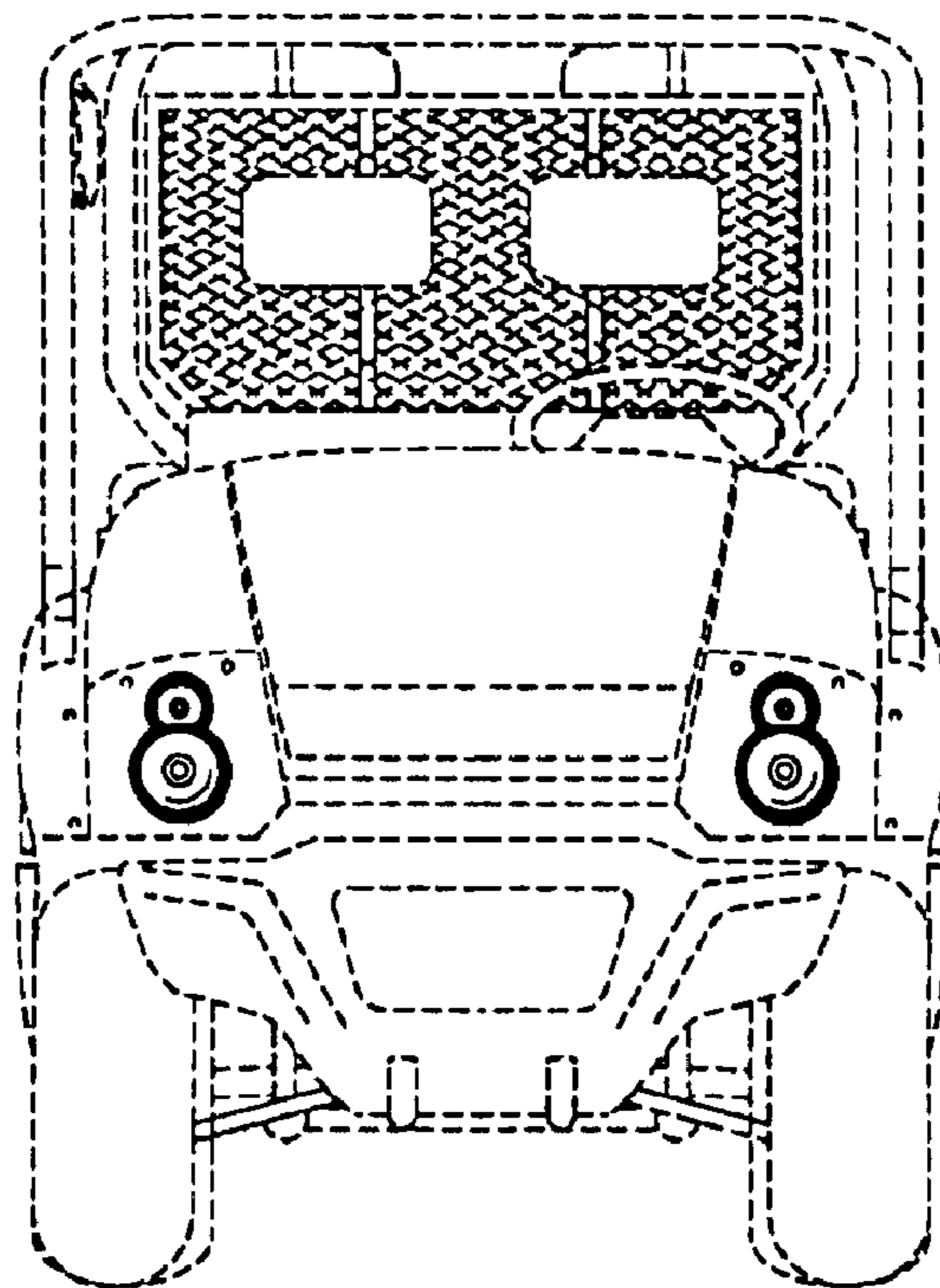


FIG. 6