



US00D511581S

(12) **United States Design Patent**
Holztrager

(10) **Patent No.:** **US D511,581 S**
(45) **Date of Patent:** **** Nov. 15, 2005**

(54) **SLATWALL SECTION**

FOREIGN PATENT DOCUMENTS

(75) **Inventor:** **William J. Holztrager**, Bristol, TN
(US)

EP 0547996 6/1996

* cited by examiner

(73) **Assignee:** **Showall, Inc.**, Chilhowie, VA (US)

Primary Examiner—Doris Clark

(**) **Term:** **14 Years**

(74) *Attorney, Agent, or Firm*—Shlesinger, Arkwright & Garvey LLP

(21) **Appl. No.:** **29/212,903**

(57) **CLAIM**

(22) **Filed:** **Sep. 10, 2004**

The ornamental design for a slatwall section, as shown and described.

(51) **LOC (8) Cl.** **25-01**

(52) **U.S. Cl.** **D25/123**

(58) **Field of Search** D25/119, 138,
D25/58, 163, 123; 52/36.5, 36.6; 211/41.15,
134, 162, 87.01, 90.01, 94.01; 312/132

DESCRIPTION

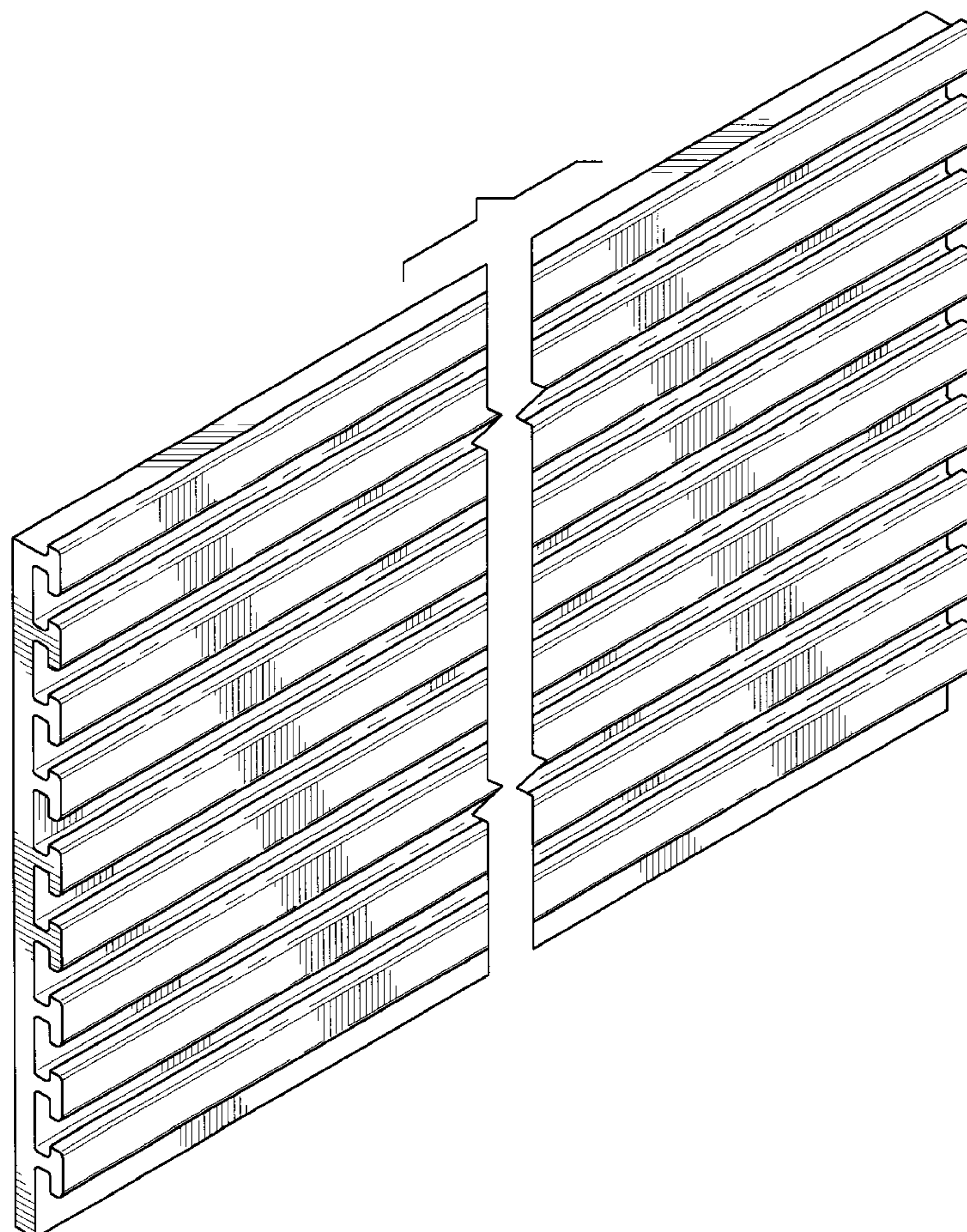
FIG. 1 is a front perspective view of a slatwall section showing my new design;
FIG. 2 is front elevational view of FIG. 1;
FIG. 3 is a rear elevational view of FIG. 1;
FIG. 4 is a top edge view of FIG. 1;
FIG. 5 is a bottom edge view of FIG. 1;
FIG. 6 is a left edge view of FIG. 1; and,
FIG. 7 is an enlarge view of a section taken from FIG. 6.
Portions shown in phantom lines do not form a part of the claimed design.

(56) **References Cited**

U.S. PATENT DOCUMENTS

5,485,934	A	1/1996	Holztrager	
D399,010	S	* 9/1998	Current D25/123
5,921,044	A	7/1999	Holztrager	
5,983,574	A	11/1999	Holztrager	
6,068,135	A	5/2000	Holztrager	
6,325,223	B1	* 12/2001	Hannen 211/87.01
D471,993	S	3/2003	Holztrager	

1 Claim, 3 Drawing Sheets



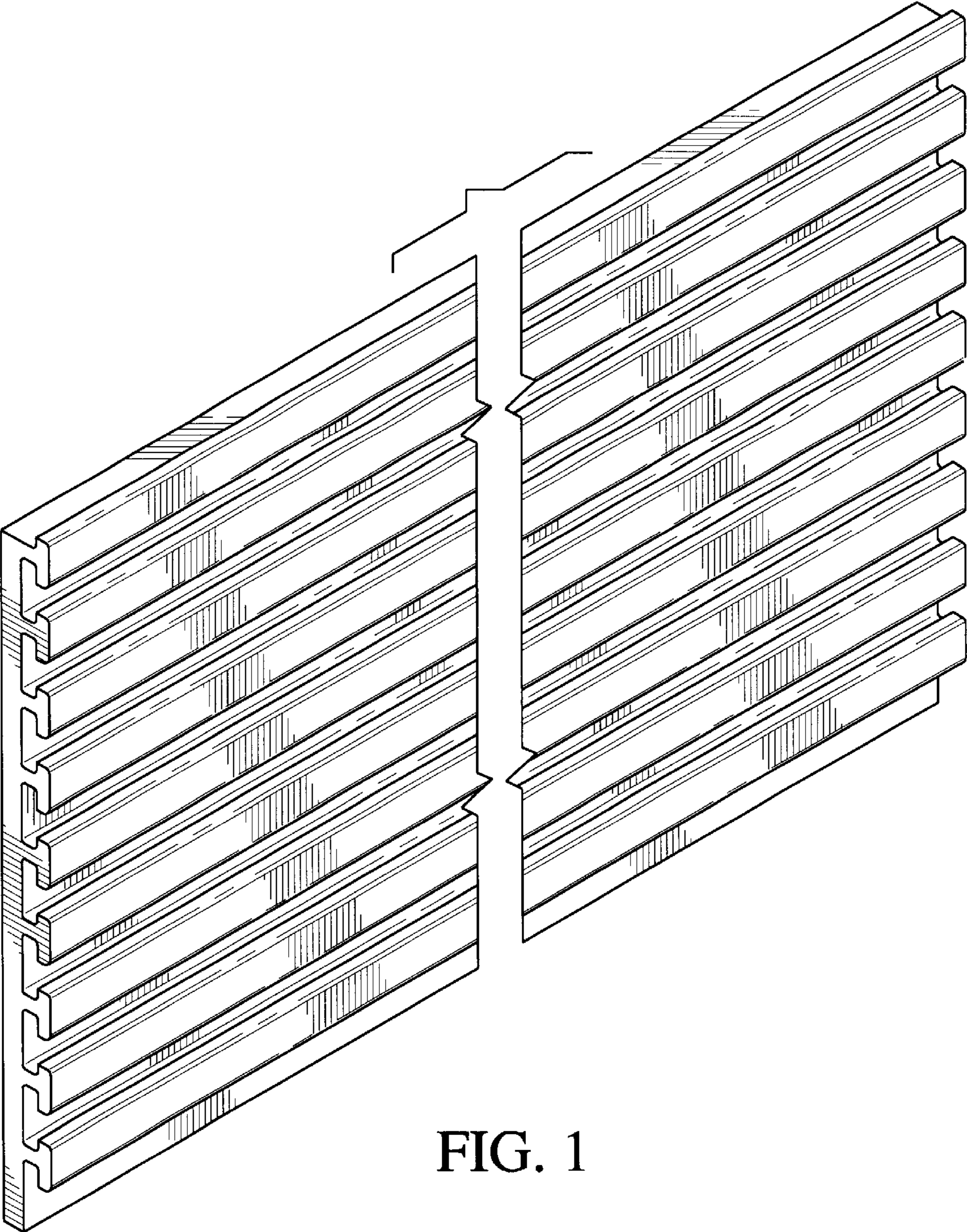


FIG. 1

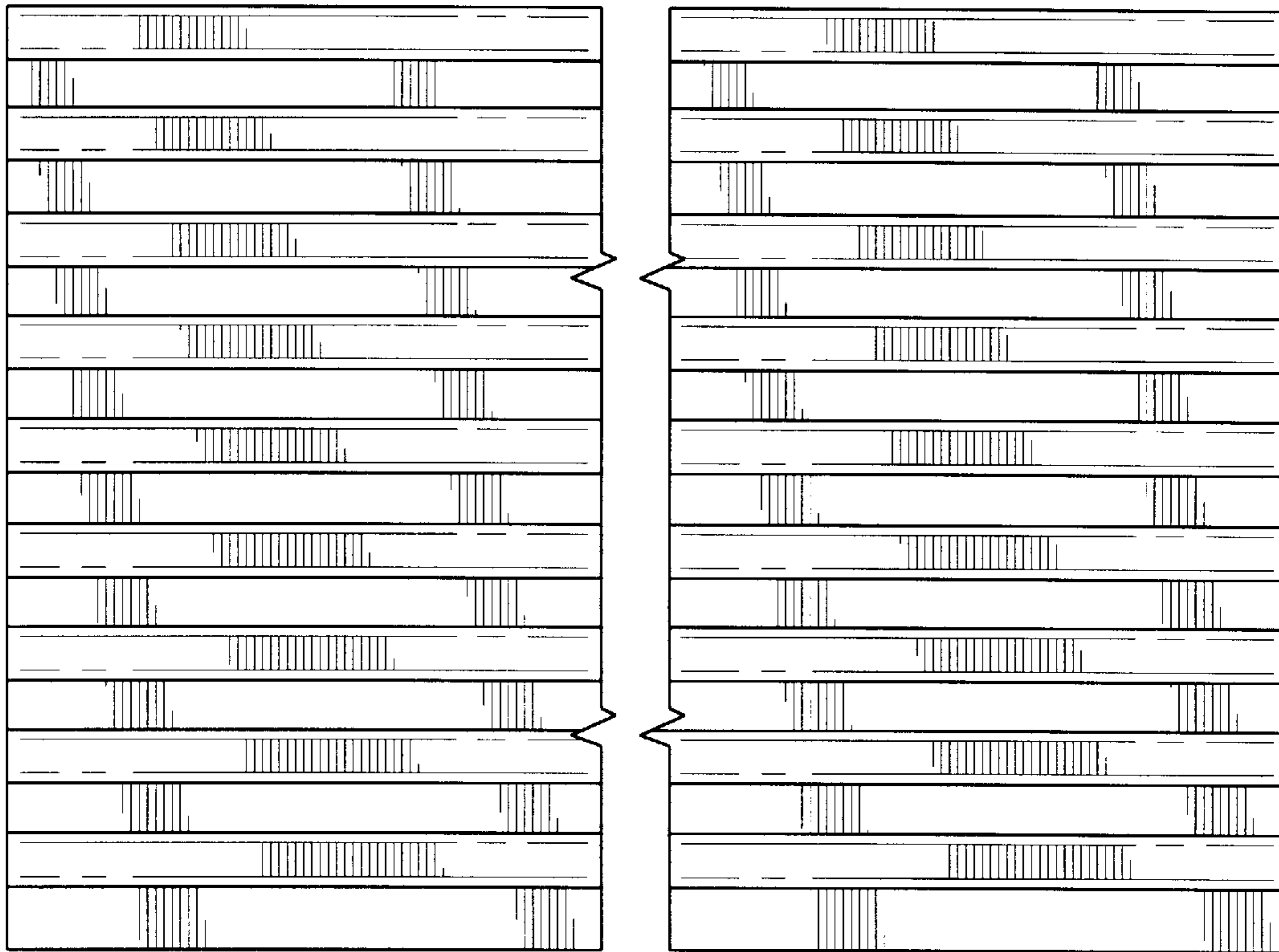


FIG. 2

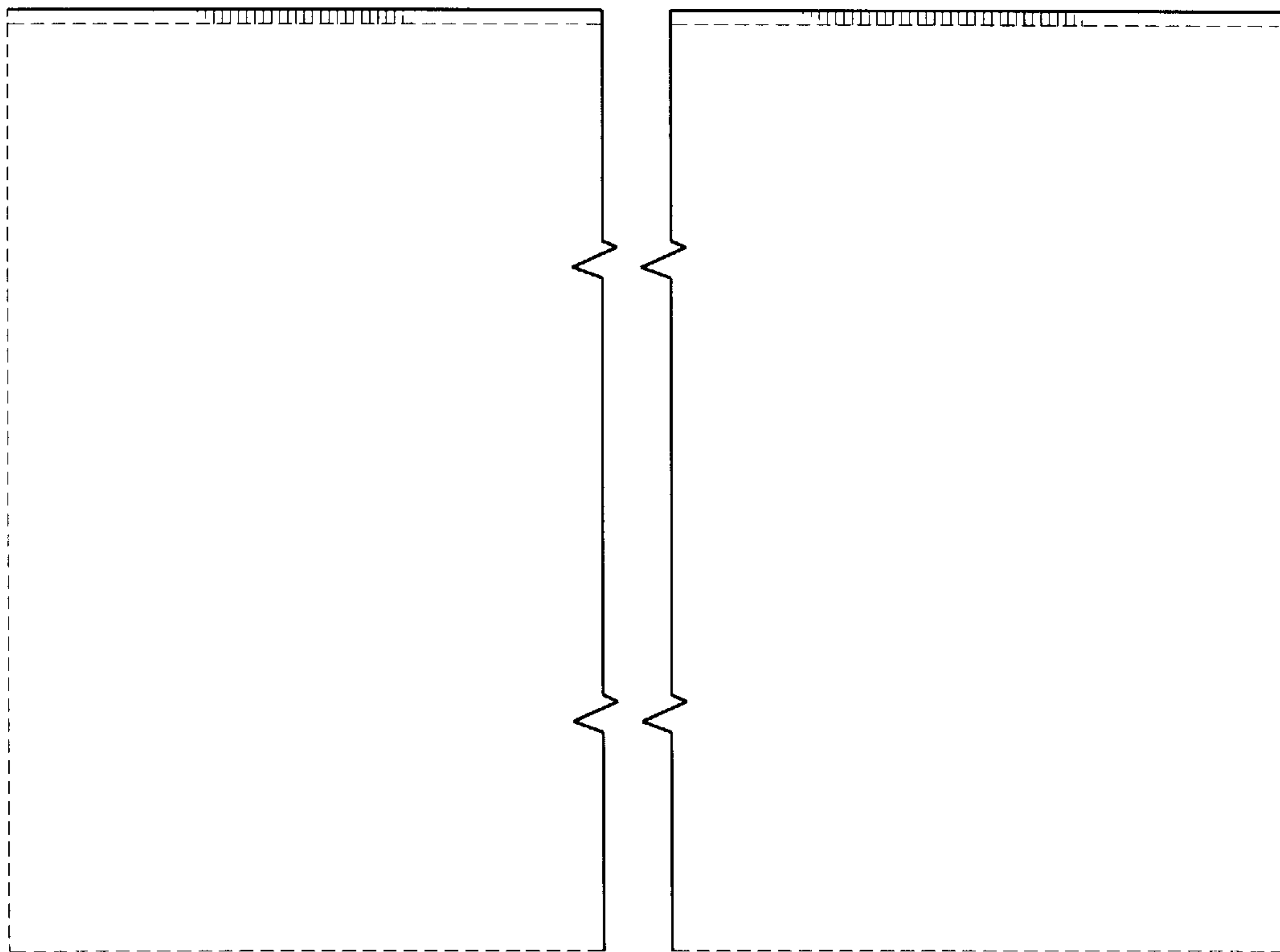


FIG. 3

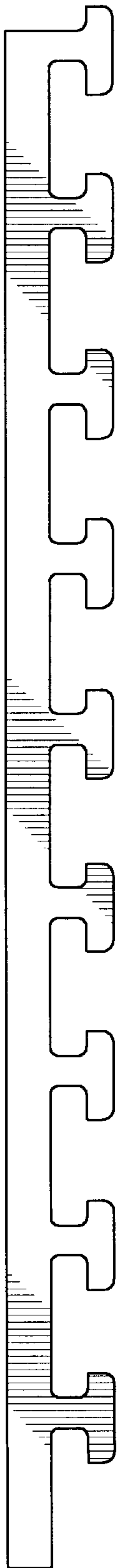


FIG. 6



FIG. 4



FIG. 5

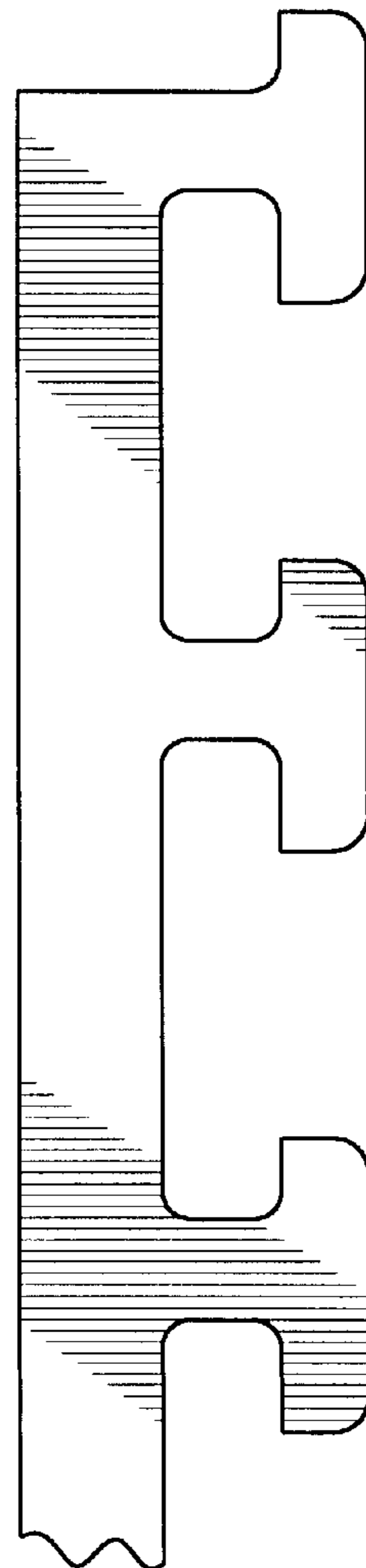


FIG. 7