

US00D511580S

(12) **United States Design Patent** (10) **Patent No.:** **US D511,580 S**  
**Ryan et al.** (45) **Date of Patent:** **\*\* Nov. 15, 2005**

(54) **DECKING**

(75) Inventors: **Thomas G. Ryan**, North Huntingdon, PA (US); **Robert C. Paul**, Glenshaw, PA (US)

(73) Assignee: **Epic Metals Corporation**, Rankin, PA (US)

(\*\*) Term: **14 Years**

(21) Appl. No.: **29/209,089**

(22) Filed: **Jul. 9, 2004**

**Related U.S. Application Data**

(62) Division of application No. 29/186,801, filed on Jul. 22, 2003.

(51) **LOC (8) Cl.** ..... **25-01**

(52) **U.S. Cl.** ..... **D25/119**

(58) **Field of Search** ..... 52/87; 119/527, 119/529, 530; 14/6, 73; D25/119

(56) **References Cited**

**U.S. PATENT DOCUMENTS**

D256,843 S \* 9/1980 Madsen ..... D25/119  
5,843,716 A \* 12/1998 Au-Young et al. .... 435/69.1

**OTHER PUBLICATIONS**

EPIC® Composite Floor Decks Brochure, Epic Metals Corporation, ©1981, (2 pgs.), publication date as early as Jan. 1, 1998.

EPIC Wideck® Long-Span Roof and Floor Deck Ceiling Systems Brochure, Epic Metals Corporation, ©2000, (pp. 1, 17, 18 and 32), publication date as early as Jan. 1, 2000.

EPIC Wideblend® Roof Deck Ceiling Systems Brochure, Epic Metals Corporation, ©1999, (pp. 1, 3 and 12), publication date as early as Jan. 1, 1999.

EPIC® Roof and Acoustical Decks Brochure, Epic Metals Corporation, ©1998, (19 pgs.), publication date as early as Jan. 1, 1998.

EPIC® Composite Floor and Form Decks Acoustical and Non-Acoustical Brochure, Epic Metals Corporation, ©2000, (32 pgs.), publication date as early as Jan. 1, 2000. Acoustic Composite Floor Deck Selection Chart, dated Mar. 2, 1987, Rev. May 6, 1998, Epic Metals Corporation (1 pg.). Super Wideck® Spans the New McCarran Las Vegas International Airport Terminal “D” Advertisement, Epic Metals Corporation (1 pg.), date of first publication unknown.

\* cited by examiner

*Primary Examiner*—Doris Clark

(74) *Attorney, Agent, or Firm*—Webb Ziesenheim Logsdon Orkin & Hanson P.C.

(57) **CLAIM**

The ornamental design for a decking, as shown and described.

**DESCRIPTION**

FIG. 1 is a top perspective view of a decking showing our new design;

FIG. 2 is a front elevational view thereof, the rear being identical thereto;

FIG. 3 is a top plan view thereof;

FIG. 4 is a right side elevational view thereof;

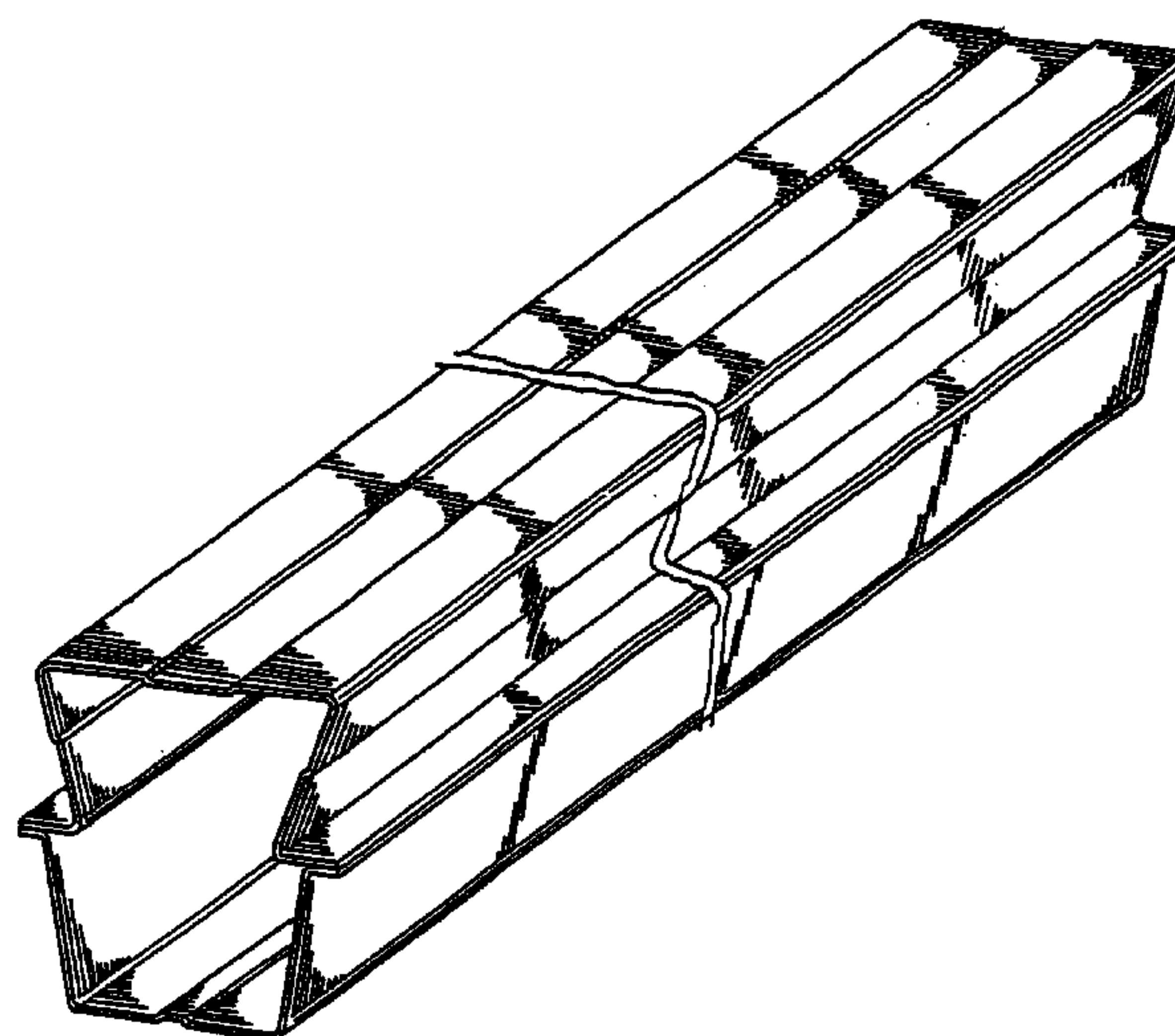
FIG. 5 is a left side elevational view thereof;

FIG. 6 is a bottom plan view thereof; and,

FIG. 7 is a top front perspective view thereof.

The decking has been broken in the center to show indefinite length. The broken lines are for illustrative purposes only and form no part of the claimed design.

**1 Claim, 3 Drawing Sheets**



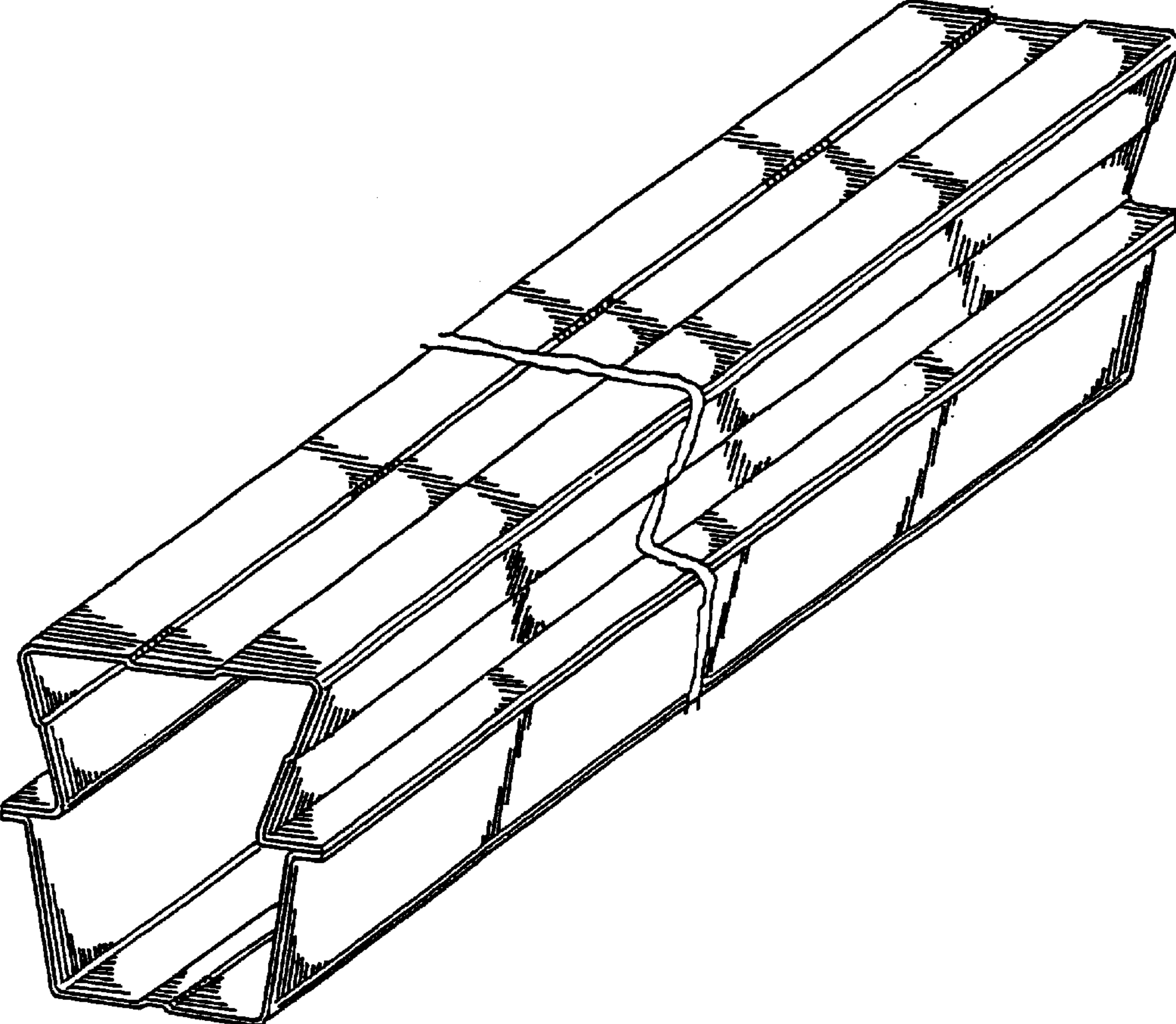


FIG. 1

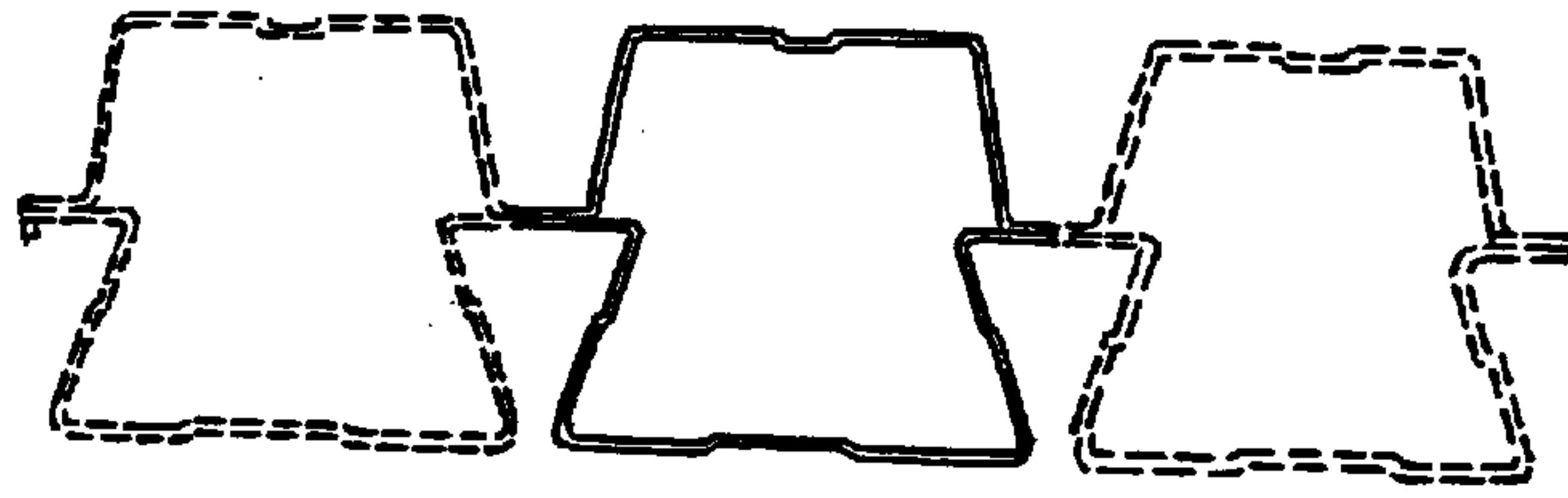


FIG. 2



FIG. 3

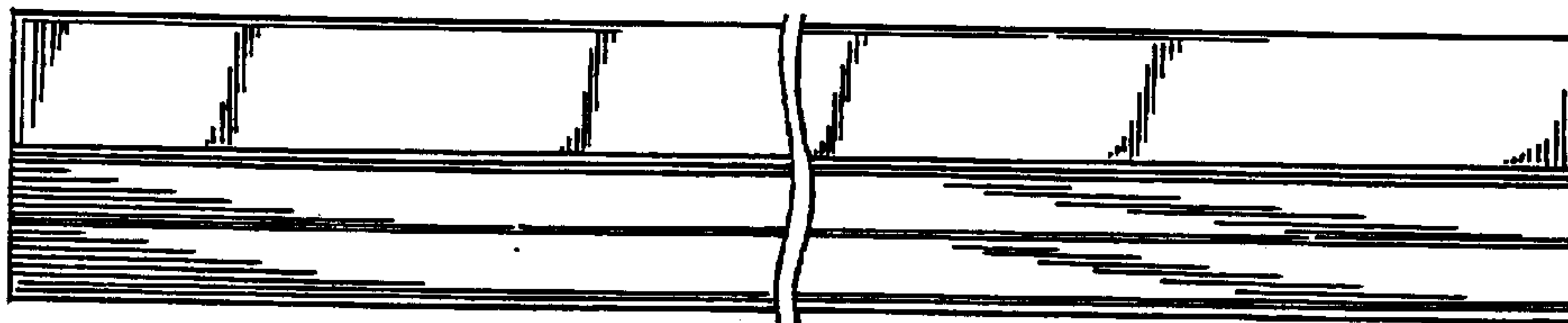


FIG. 4

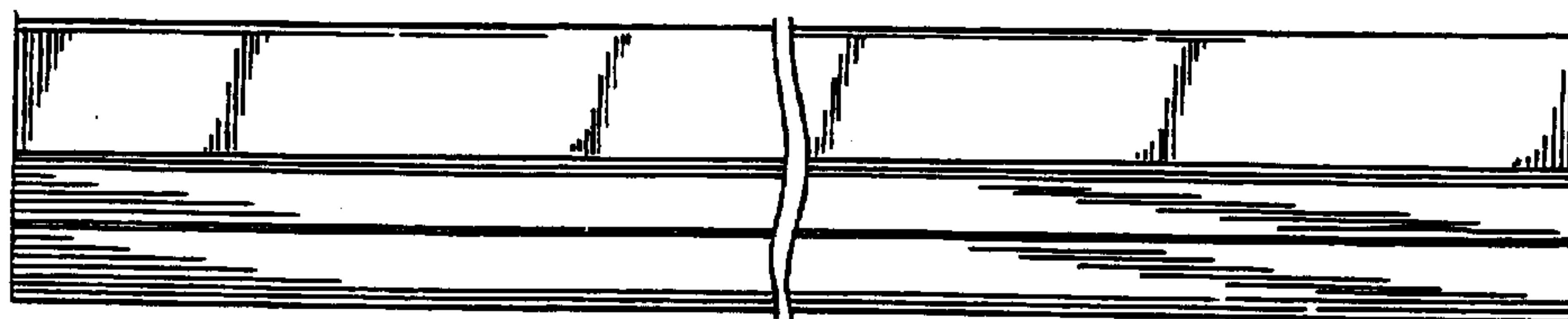


FIG. 5

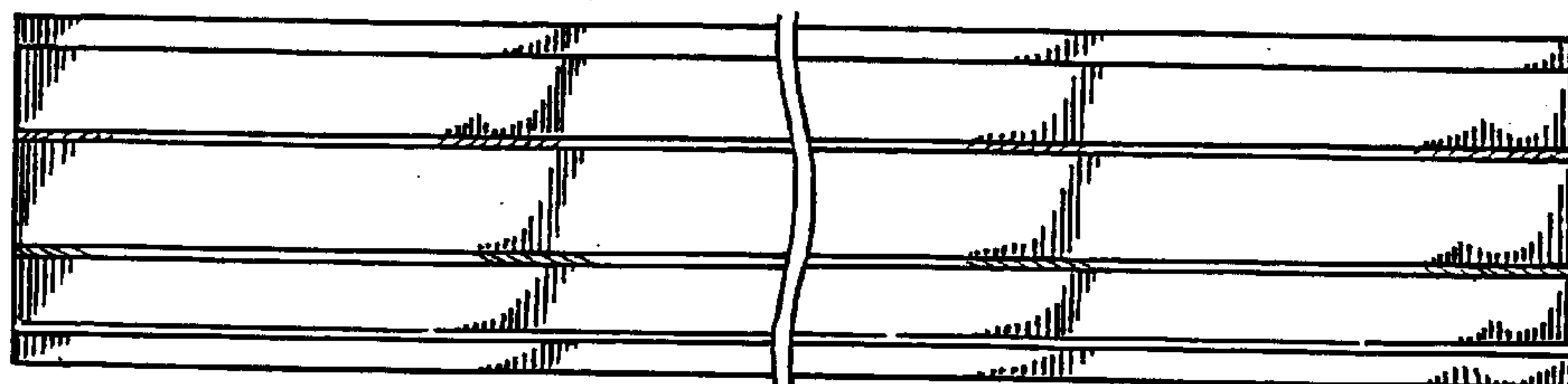


FIG. 6



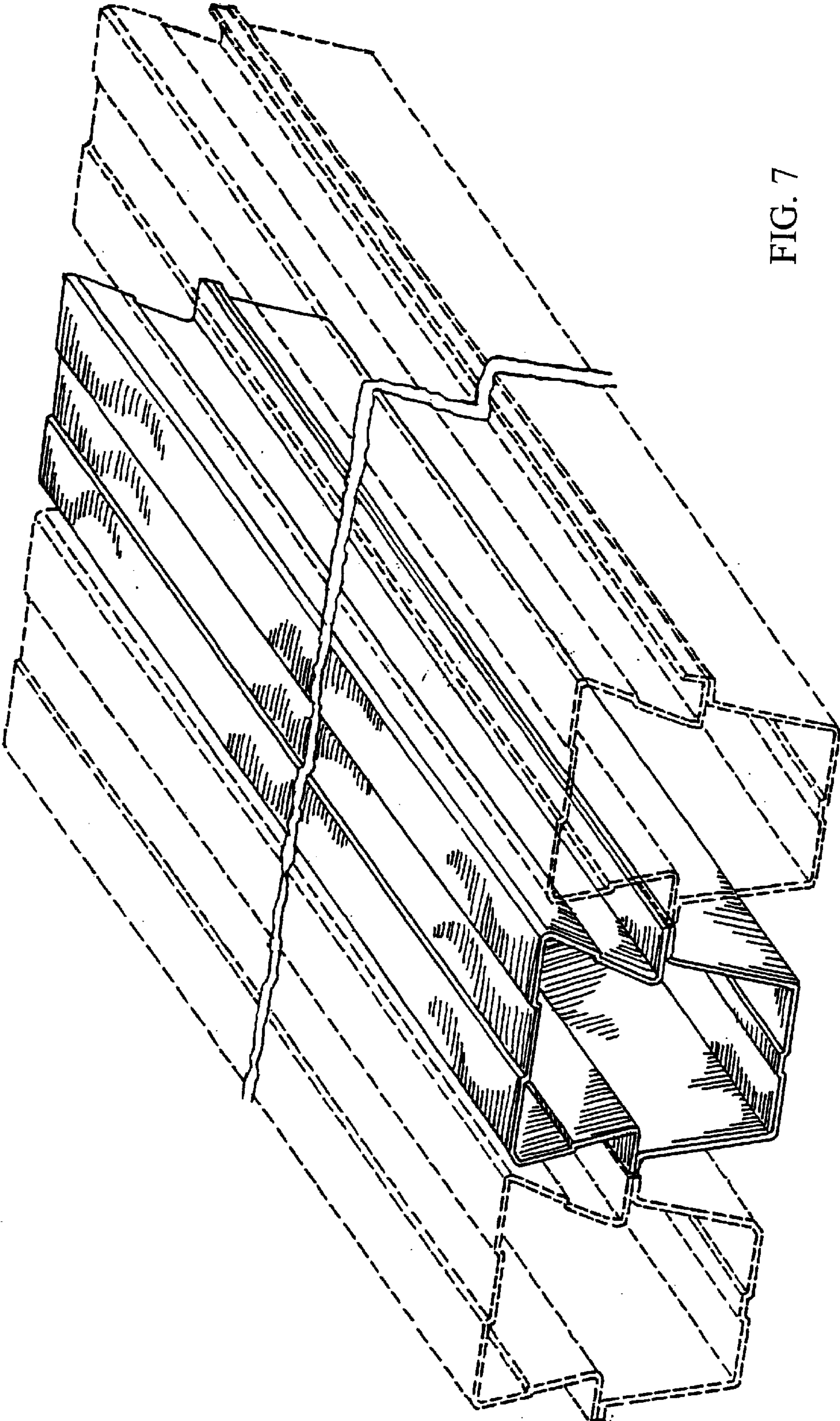


FIG. 7



US00D511580C1

(12) **EX PARTE REEXAMINATION CERTIFICATE** (8098th)  
**United States Patent**  
**Ryan et al.**

(10) **Number:** **US D511,580 C1**  
(45) **Certificate Issued:** **Mar. 15, 2011**

(54) **DECKING**

(75) **Inventors:** **Thomas G. Ryan**, North Huntingdon, PA (US); **Robert C. Paul**, Glenshaw, PA (US)

(73) **Assignee:** **Epic Metals Corporation**, Rankin, PA (US)

**Reexamination Request:**

No. 90/009,733, May 3, 2010

**Reexamination Certificate for:**

Patent No.: **Des. 511,580**  
Issued: **Nov. 15, 2005**  
Appl. No.: **29/209,089**  
Filed: **Jul. 9, 2004**

**Related U.S. Application Data**

(62) Division of application No. 29/186,801, filed on Jul. 22, 2003, now Pat. No. Des. 507,665.

(51) **LOC (9) Cl.** ..... **25-01**  
(52) **U.S. Cl.** ..... **D25/119**

(58) **Field of Classification Search** ..... D25/35, D25/38, 62-69, 102, 119-126, 136, 164, D25/153; 52/87, 783.1-783.19, 220.1-220.5, 52/447-453, 334-339, 843-846, 508, 537, 52/538, 578, 579, 588.1, 592.1, 520, 536, 52/302.3, 630, 650.3, 404.4, 404.1, 404.7, 52/177, 181, 489.1, 144, 145, 802.1; 405/4, 405/201; 119/527, 529, 530; 14/6, 73  
See application file for complete search history.

(56) **References Cited**

**U.S. PATENT DOCUMENTS**

2,041,965 A \* 5/1936 Sargent ..... 52/220.4  
4,594,826 A \* 6/1986 Gray ..... 52/220.4  
4,697,399 A \* 10/1987 Ryan ..... 52/302.3

**FOREIGN PATENT DOCUMENTS**

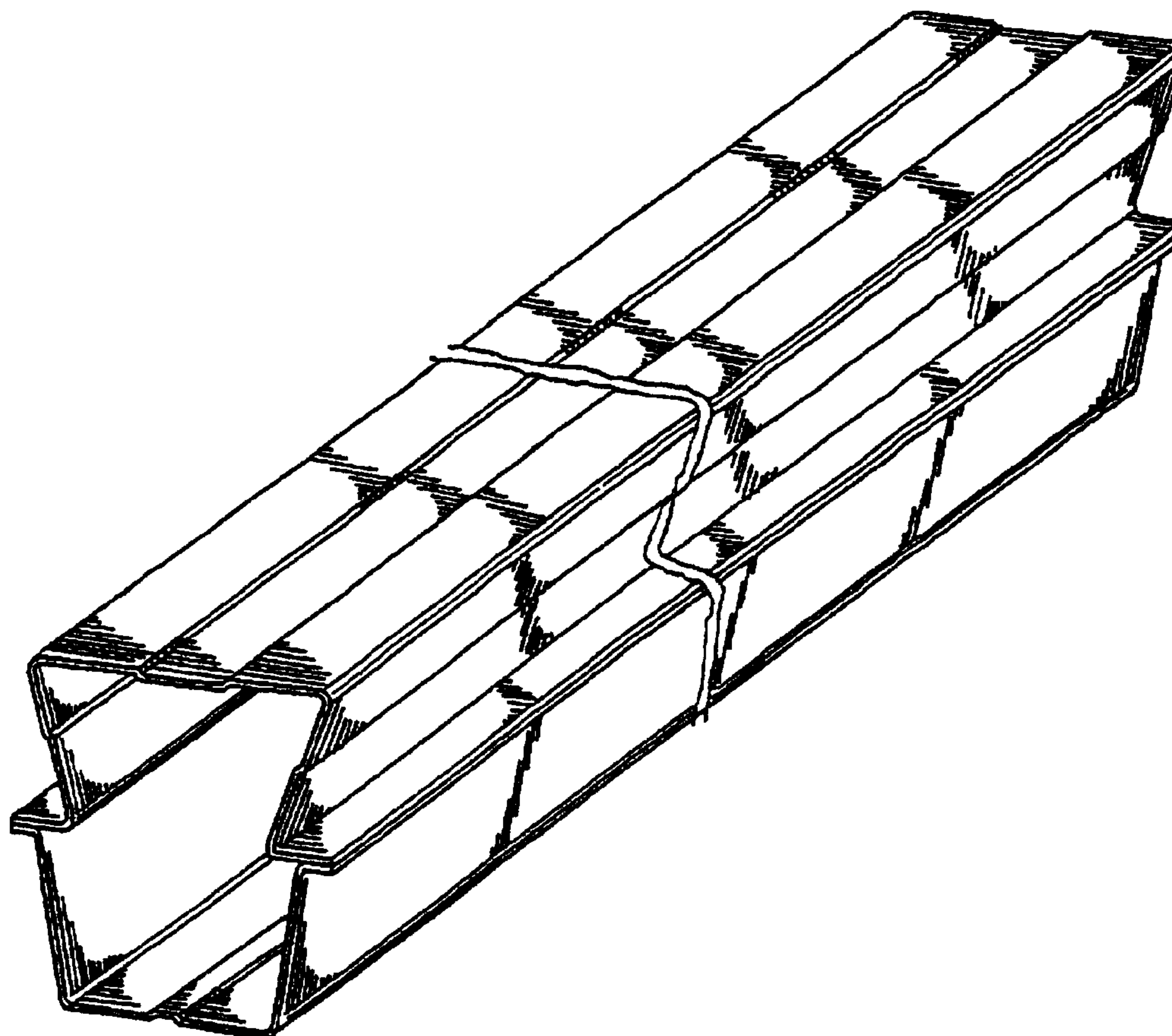
GB 2215360 A \* 9/1989  
WO D030074-0006 \* 9/1994

**OTHER PUBLICATIONS**

Epic Metals Corporation "Epicore ER 3.5 Roof Deck Ceiling System" brochure, 1999.  
Epic Metals Corporation "Epic Wideck Long-Span Roof and Floor Deck Ceiling Systems" brochure, 2000.  
Epic Metals Corporation "Epic Roof and Acoustical Decks" brochure, 1998.

\* cited by examiner

*Primary Examiner*—Catherine Tuttle



**EX PARTE  
REEXAMINATION CERTIFICATE  
ISSUED UNDER 35 U.S.C. 307**

The patentability of the sole claim is confirmed.

The ornamental design for a decking, as shown and described.

AS A RESULT OF REEXAMINATION, IT HAS BEEN  
DETERMINED THAT:

\* \* \* \* \*