



US00D511579S

(12) **United States Design Patent**
Risi et al.

(10) **Patent No.: US D511,579 S**

(45) **Date of Patent: ** Nov. 15, 2005**

(54) **RETAINING WALL BLOCK**

Primary Examiner—Robert A. Delehanty

(75) Inventors: **Angelo Risi**, Richmond Hill (CA);
Tyler Matys, Aurora (CA)

(74) *Attorney, Agent, or Firm*—ROBIC

(73) Assignee: **Jagna Ltd.**, Thornhill (CA)

(57) **CLAIM**

(**) Term: **14 Years**

The ornamental design for a retaining wall block, as shown and described.

(21) Appl. No.: **29/211,357**

(22) Filed: **Aug. 16, 2004**

DESCRIPTION

(51) **LOC (8) Cl.** **25-01**

FIG. 1 is a front perspective view of the retaining wall block, showing our new design;

(52) **U.S. Cl.** **D25/113**

FIG. 2 is a top plan elevational view thereof;

(58) **Field of Search** D25/112–118,
D25/164, 151; D21/483–486, 499–505;
405/15–16, 284, 286; 404/34, 37–42, 44–45;
52/102, 503–505, 596–609, 612

FIG. 3 is a front elevational view thereof;

FIG. 4 is a left side view thereof;

(56) **References Cited**

FIG. 5 is a rear side view thereof; and,

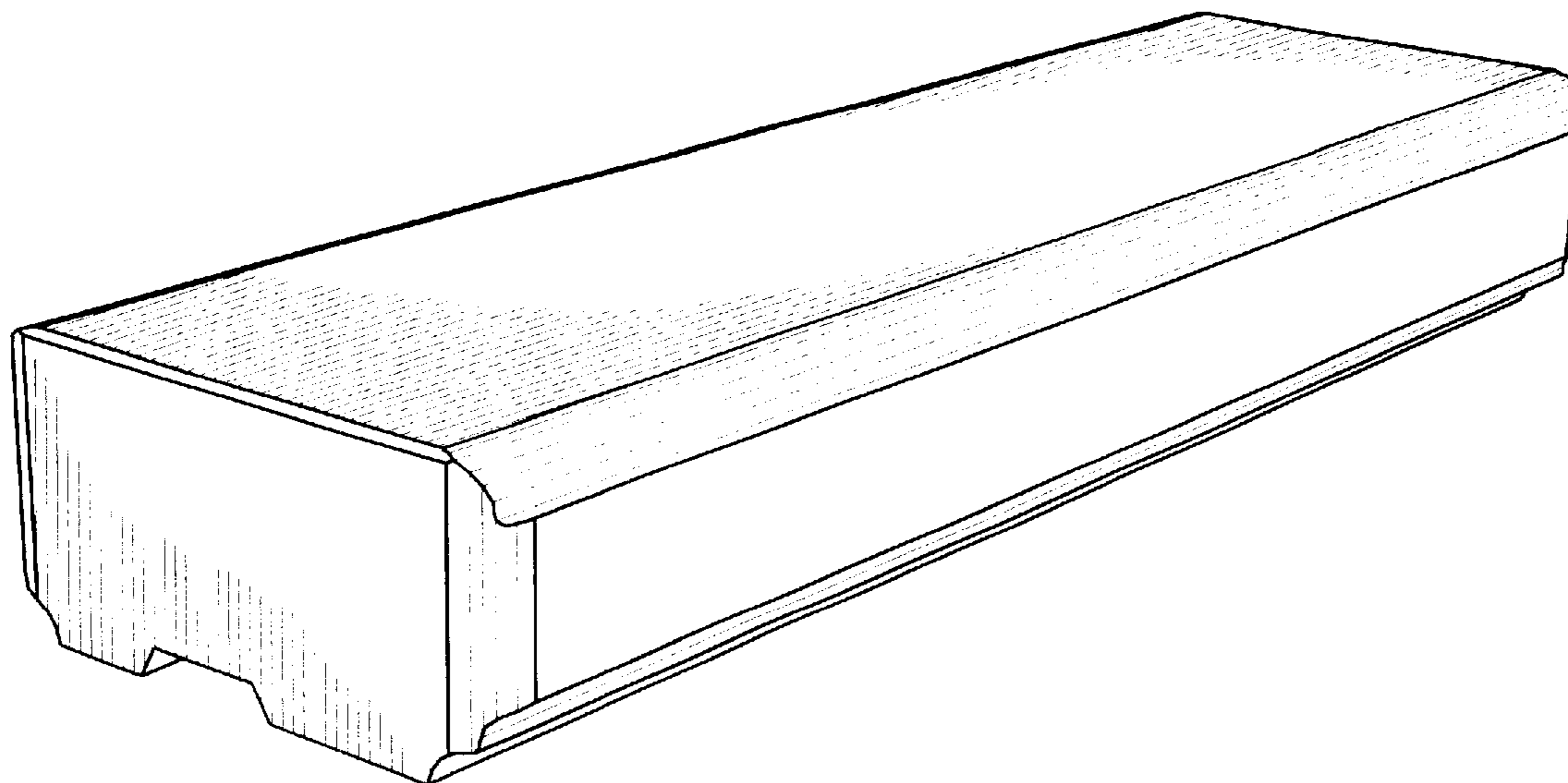
U.S. PATENT DOCUMENTS

FIG. 6 is a bottom plan view thereof.

D403,785 S * 1/1999 Risi et al. D25/113

* cited by examiner

1 Claim, 3 Drawing Sheets



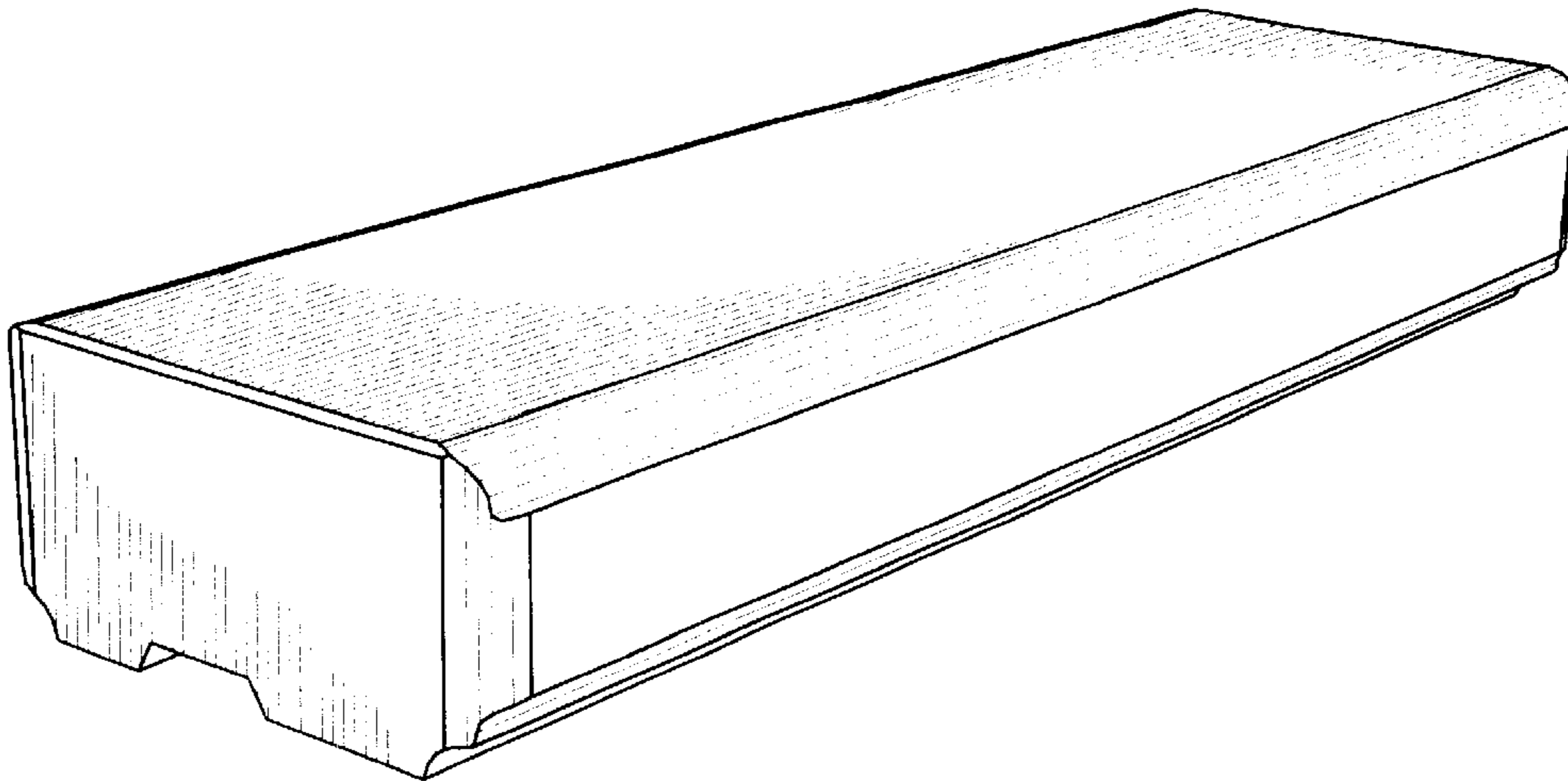


Figure 1

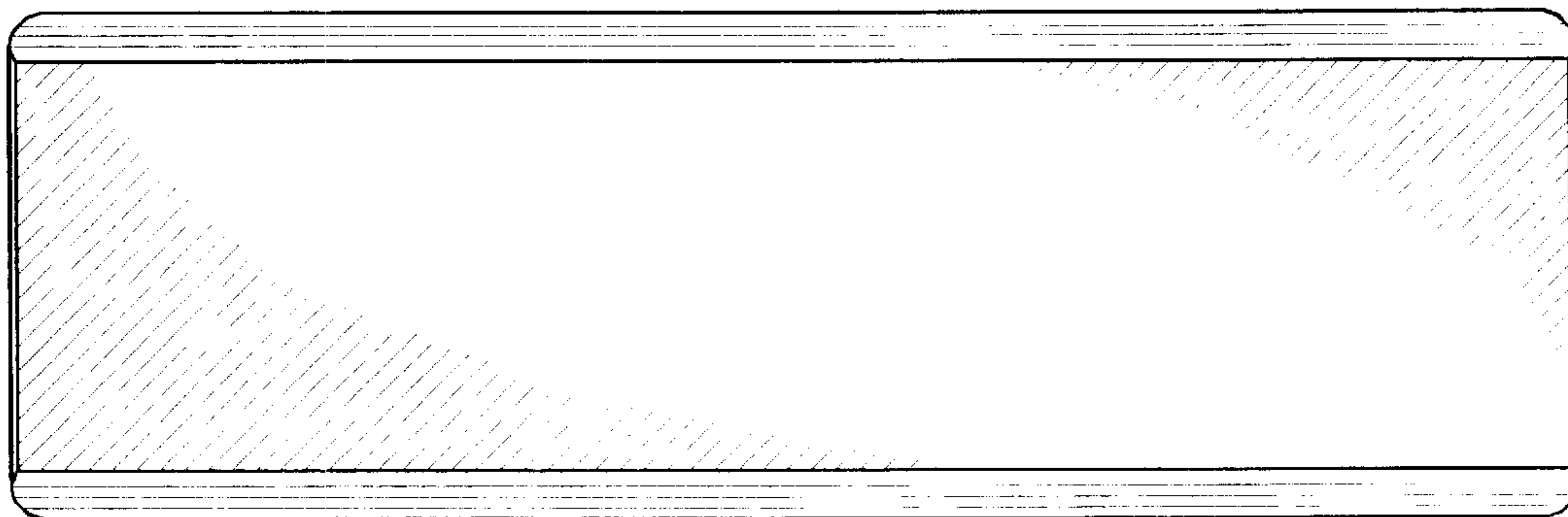


Figure 2

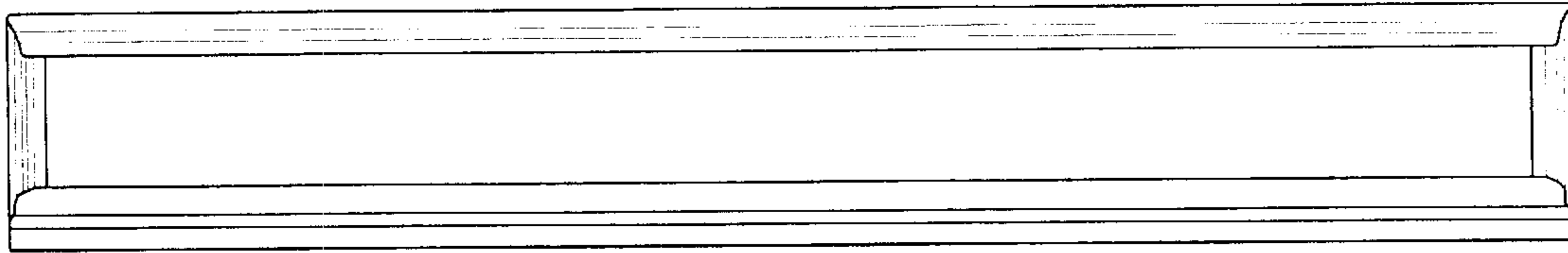


Figure 3

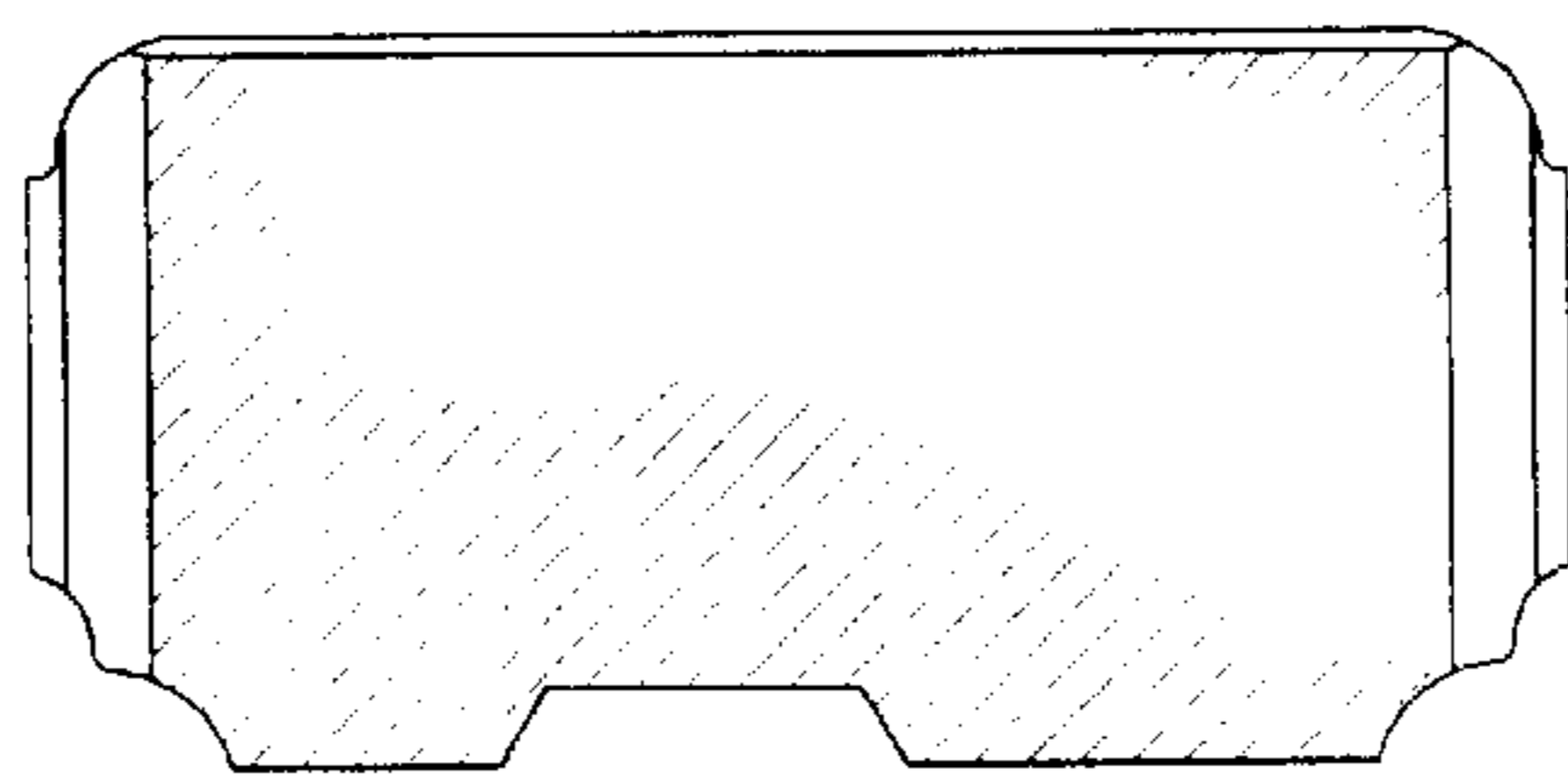


Figure 4

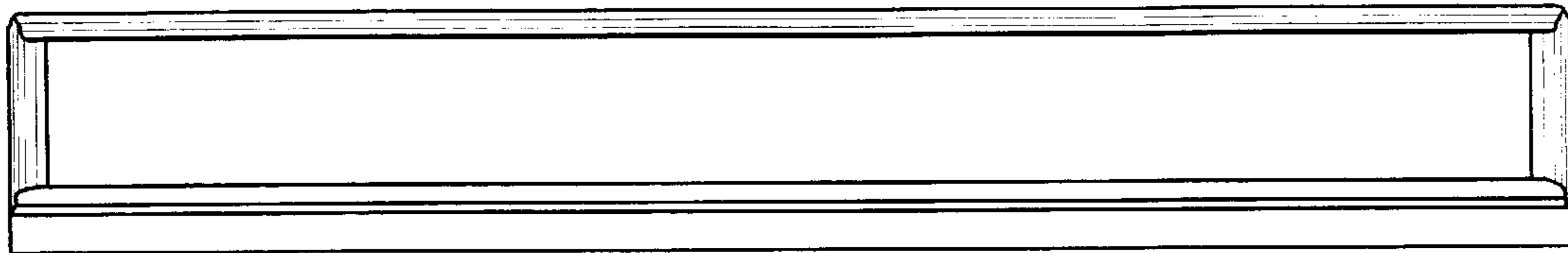


Figure 5

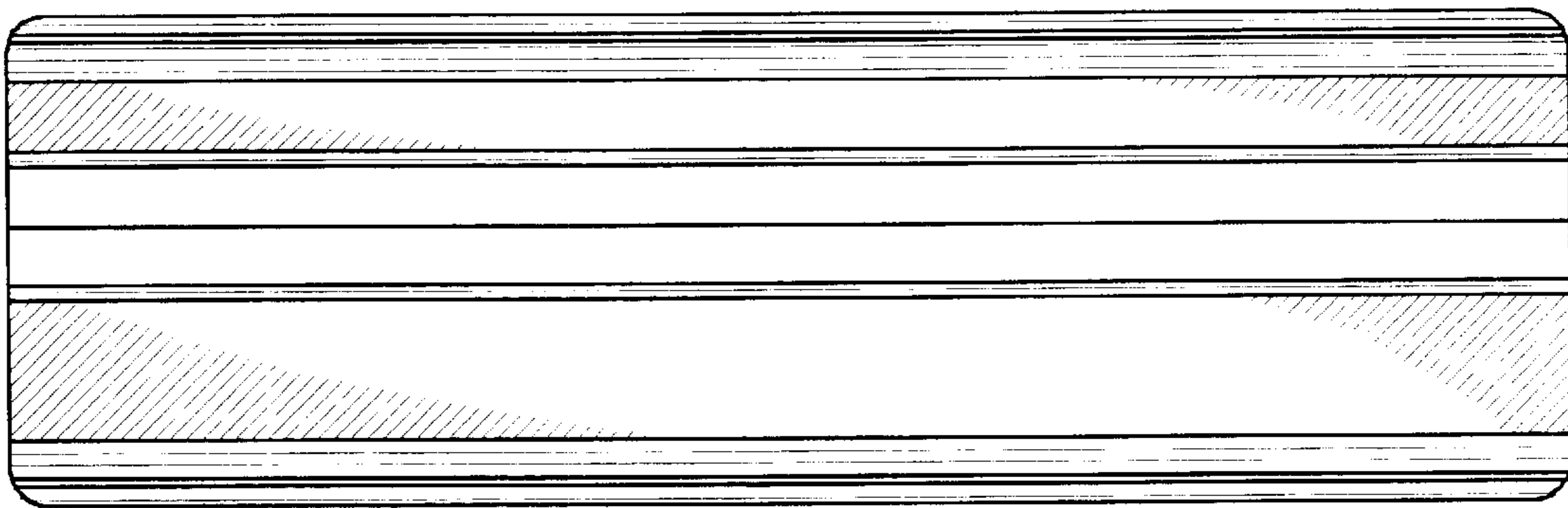


Figure 6