



US00D511576S

(12) **United States Design Patent** (10) **Patent No.:** **US D511,576 S**
Shingleton et al. (45) **Date of Patent:** **** Nov. 15, 2005**

(54) **PHOTOVOLTAIC SHADE SYSTEM**

(75) Inventors: **Jefferson G. Shingleton**, Auburn, NY (US); **Elise R. Brewster**, Berkeley, CA (US); **Thomas L. Dinwoodie**, Piedmont, CA (US)

(73) Assignee: **PowerLight Corporation**, Berkeley, CA (US)

(**) Term: **14 Years**

(21) Appl. No.: **29/177,528**

(22) Filed: **Mar. 10, 2003**

(51) **LOC (8) Cl.** **25-02**

(52) **U.S. Cl.** **D25/56**

(58) **Field of Search** D25/56; 135/87, 135/908

(56) **References Cited**

U.S. PATENT DOCUMENTS

D225,051 S	*	11/1972	Smithhart	D25/56
D408,554 S		4/1999	Dinwoodie		
D464,437 S	*	10/2002	Ueno et al.	D25/56
D481,465 S	*	10/2003	Imai	D25/56

* cited by examiner

Primary Examiner—Doris Clark

(74) *Attorney, Agent, or Firm*—James F. Hann; Haynes Beffel & Wolfeld LLP

(57) **CLAIM**

The ornamental design for a photovoltaic shade system, as shown and described.

DESCRIPTION

A photovoltaic shading system made according to the invention may be used as a carport or similar shading and weather-protecting structure.

FIG. 1 is a top, front, left side isometric view of a photovoltaic shade system made according to the invention;

FIG. 2 is a top plan view thereof;

FIG. 3 is a front elevational view thereof;

FIG. 4 is an enlarged view of the end portion of the photovoltaic shade system of FIG. 3;

FIG. 5 is a rear plan view thereof;

FIG. 6 is an enlarged view of the end portion of the photovoltaic shade system of FIG. 4;

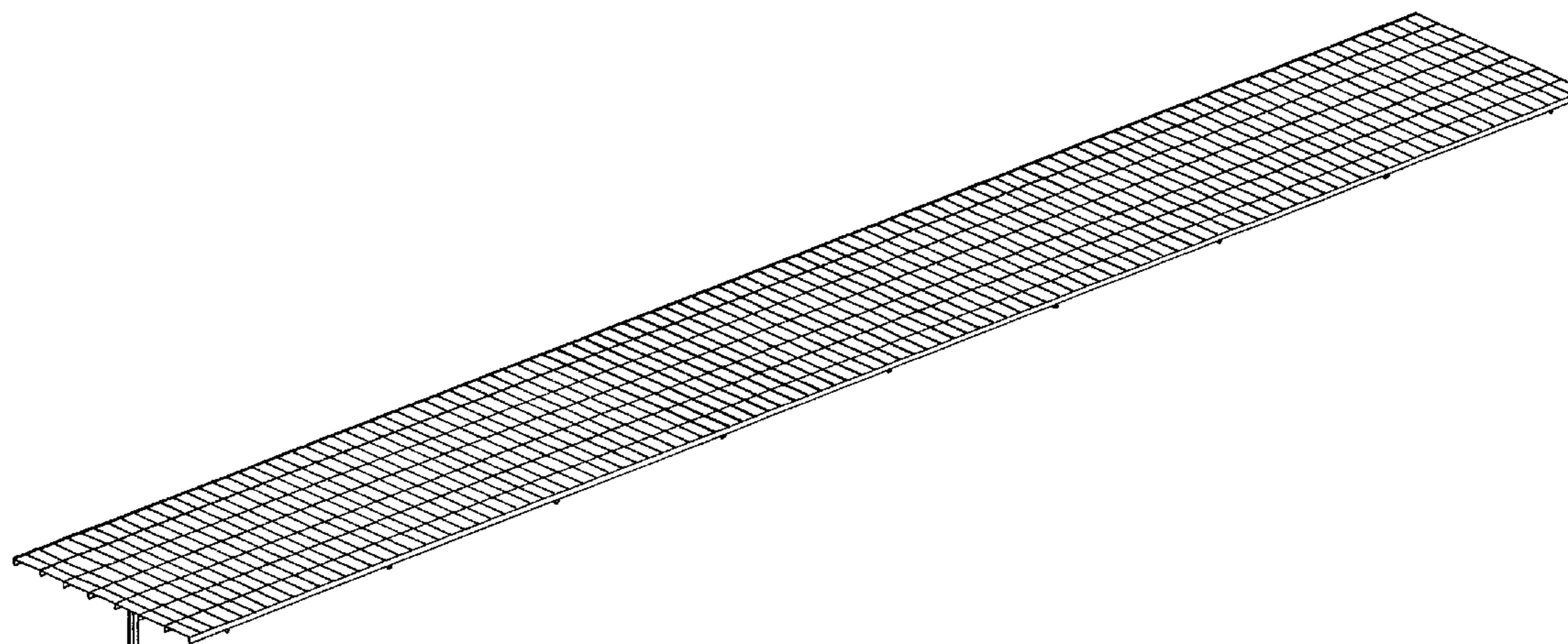
FIG. 7 is a bottom plan view thereof;

FIG. 8 is an enlarged right side elevational line drawing view thereof, the left side elevational view being a mirror image;

FIG. 9 is reduced sized, a bottom, front, left side isometric view thereof; and,

FIG. 10 is an enlarged portion of the structure of FIG. 7 illustrating an upper PV panel and a lower, curved protective panel spaced-apart and the end caps on the Z-portions removed to show more detail.

1 Claim, 5 Drawing Sheets



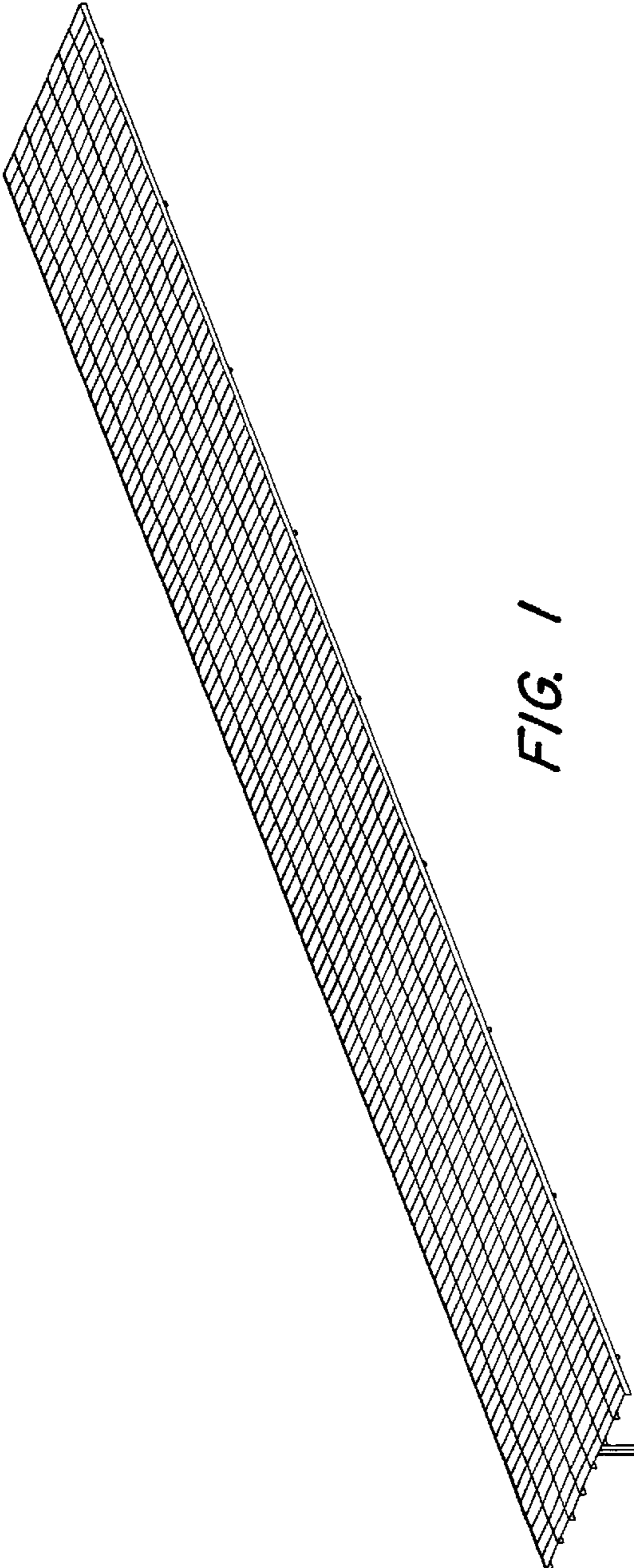


FIG. 1

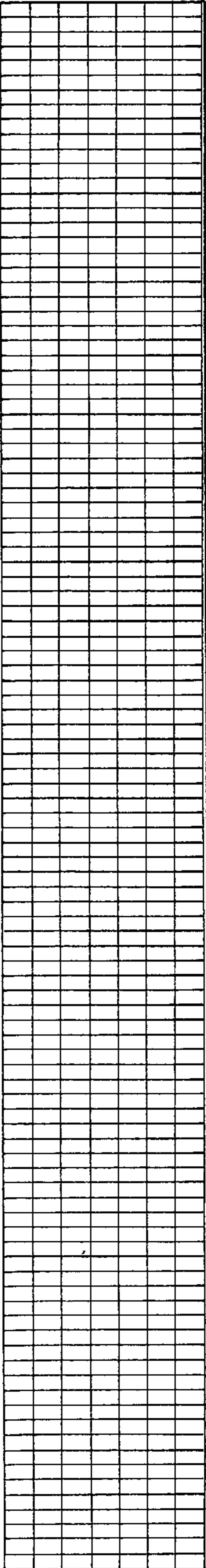


FIG. 2

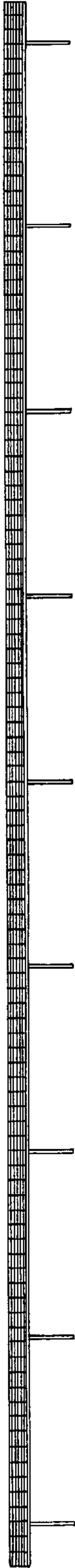


FIG. 3

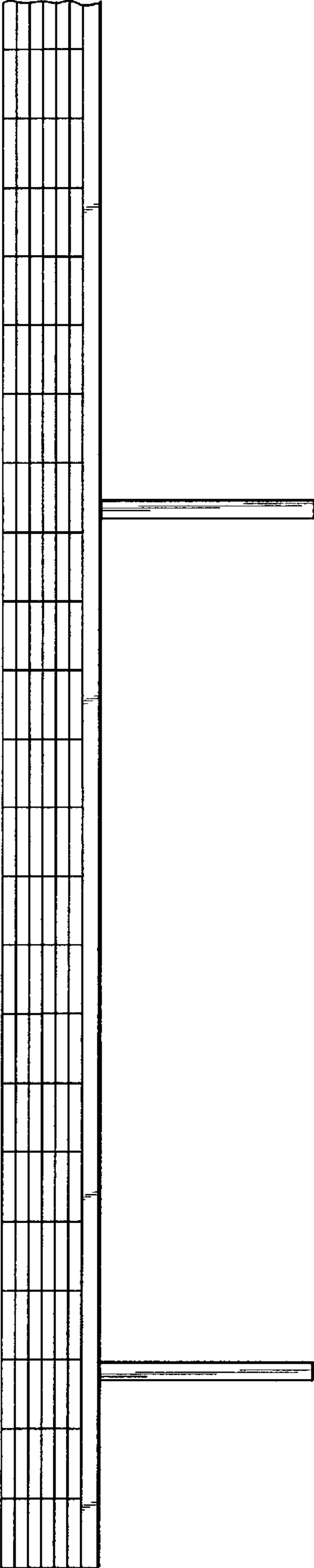


FIG. 4

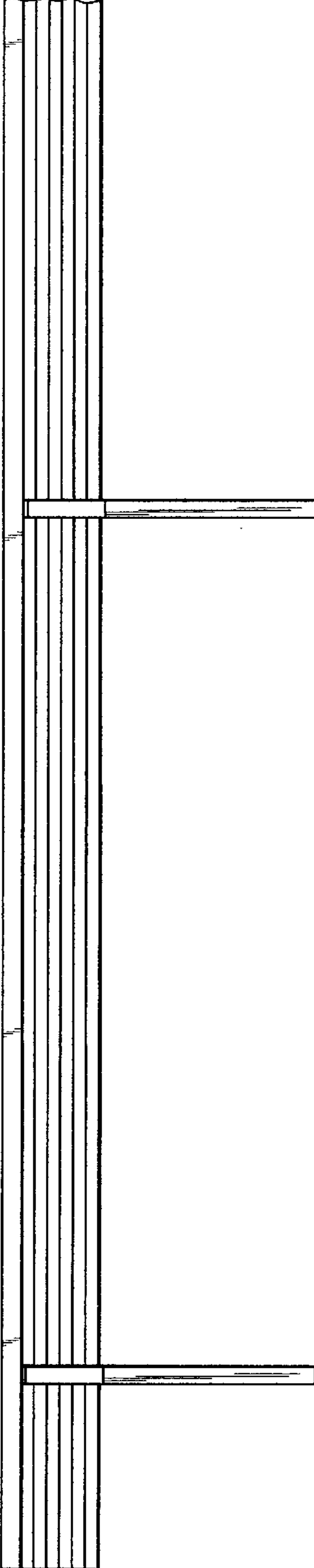


FIG. 6

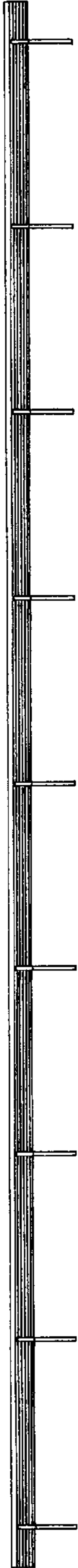


FIG. 5

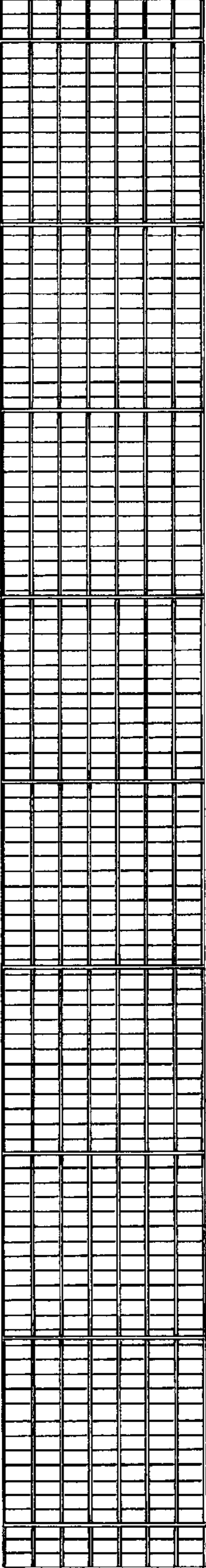


FIG. 7

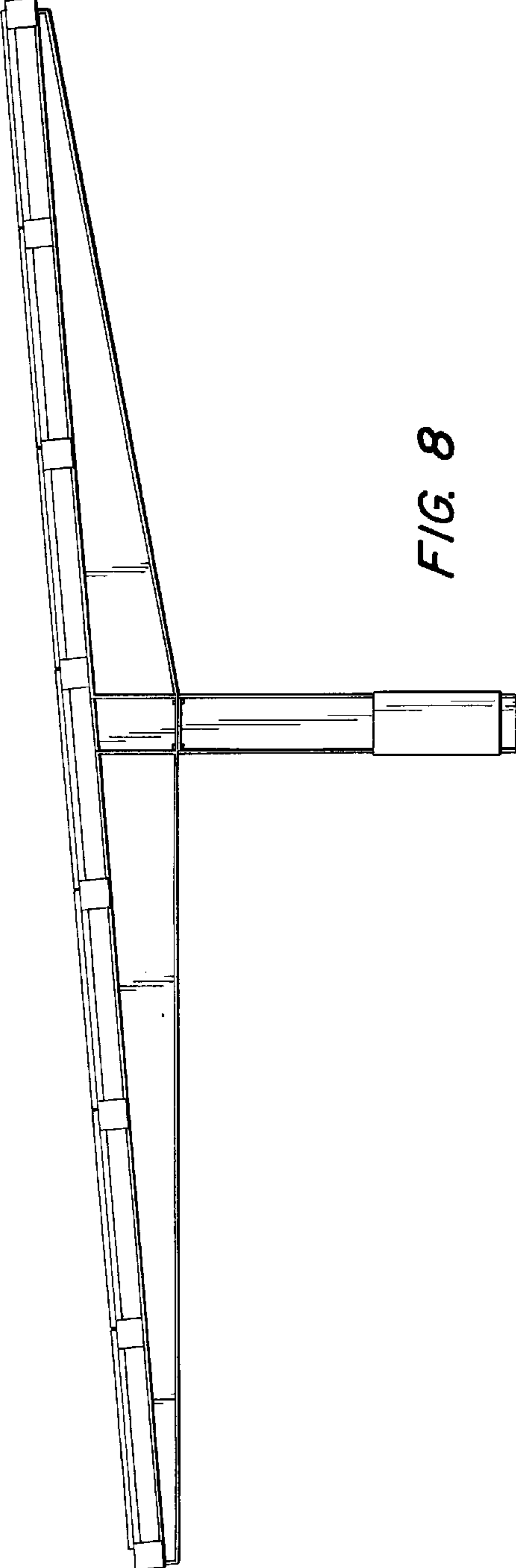


FIG. 8

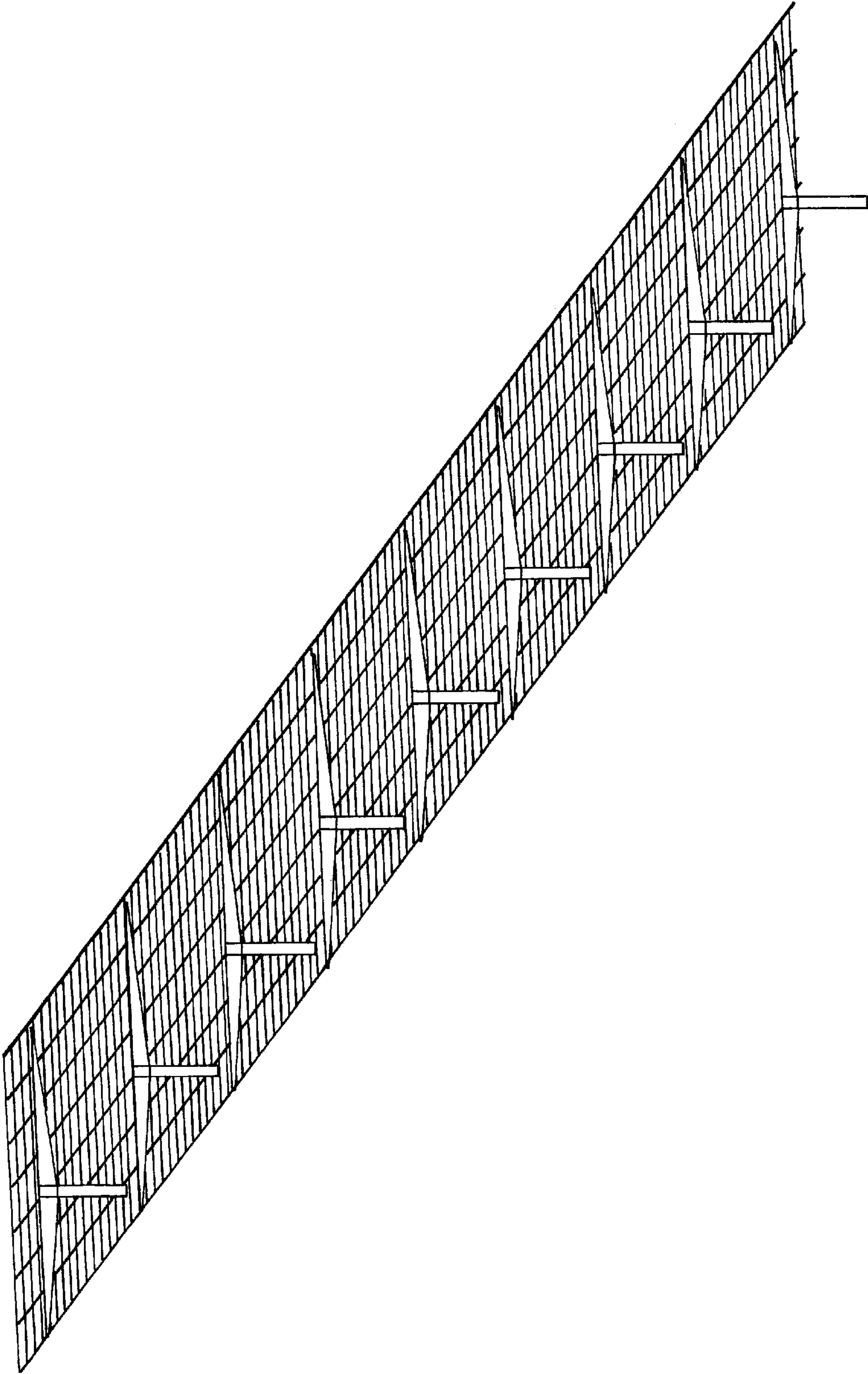


FIG. 9

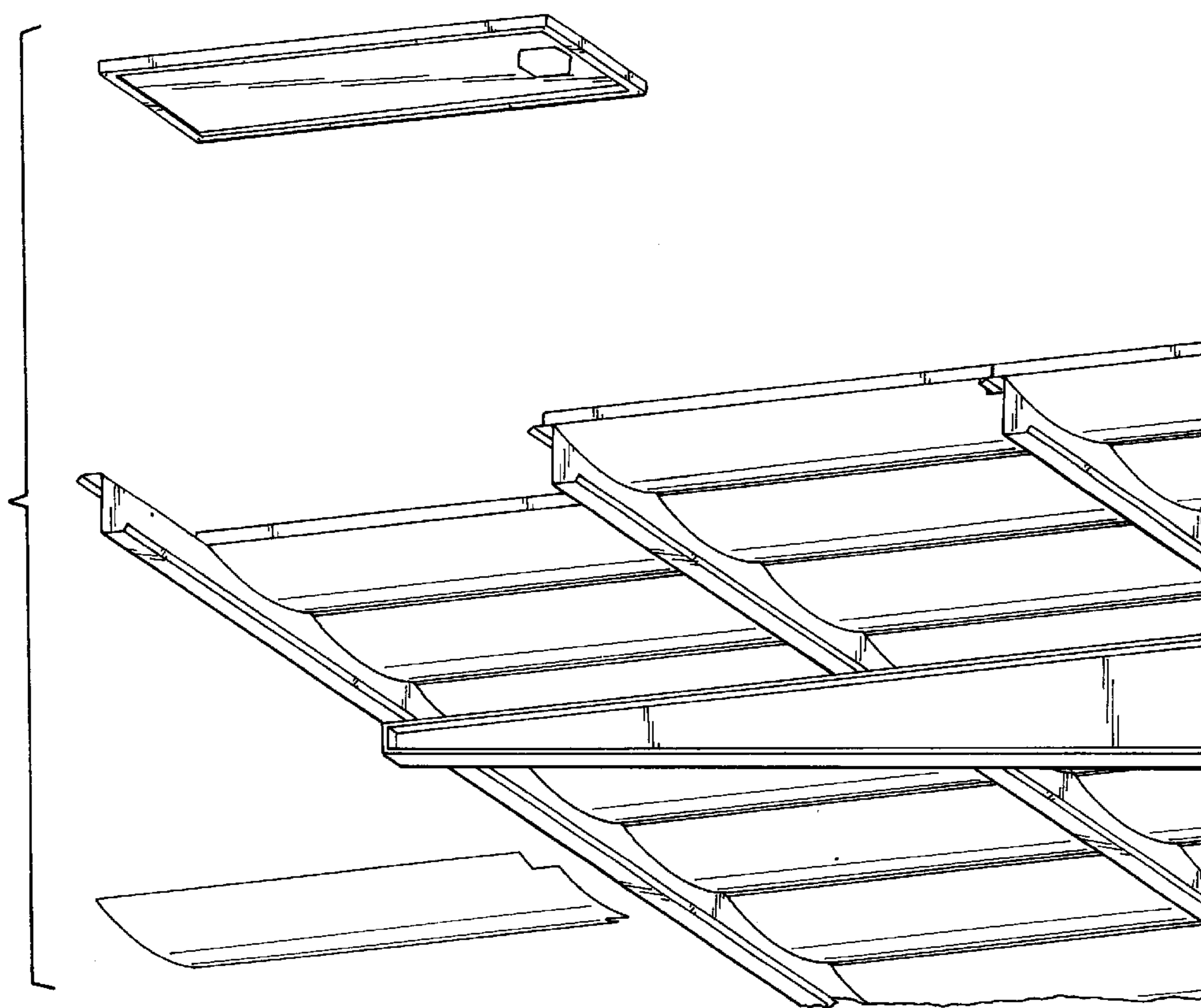


FIG. 10