



US00D511570S

(12) **United States Design Patent** (10) **Patent No.:** **US D511,570 S**
Ke (45) **Date of Patent:** **** Nov. 15, 2005**

(54) **ELECTRIC FAN**

(76) **Inventor:** **Feng-Chih Ke**, No. 57-1, Fu-An Rd.,
Shen Kang Hsiang, Chang Hua Hsien
(TW)

(**) **Term:** **14 Years**

(21) **Appl. No.:** **29/190,567**

(22) **Filed:** **Sep. 24, 2003**

(51) **LOC (8) Cl.** **23-04**

(52) **U.S. Cl.** **D23/378**

(58) **Field of Search** D23/382, 378,
D23/381, 370; 416/247 R, 246

(56) **References Cited**

U.S. PATENT DOCUMENTS

D414,858 S	*	10/1999	Litvin et al.	D23/378
D480,130 S	*	9/2003	Bucher et al.	D23/378
D484,965 S	*	1/2004	Wong	D23/378

* cited by examiner

Primary Examiner—Lisa Lichtenstein
(74) *Attorney, Agent, or Firm*—Egbert Law Offices

(57) **CLAIM**

The ornamental design for an electric fan, as shown and described.

DESCRIPTION

FIG. 1 is an upper perspective view of the electric fan showing my design.

FIG. 2 is a front view thereof;

FIG. 3 is a back view thereof;

FIG. 4 is a side view thereof;

FIG. 5 is an opposite side view thereof;

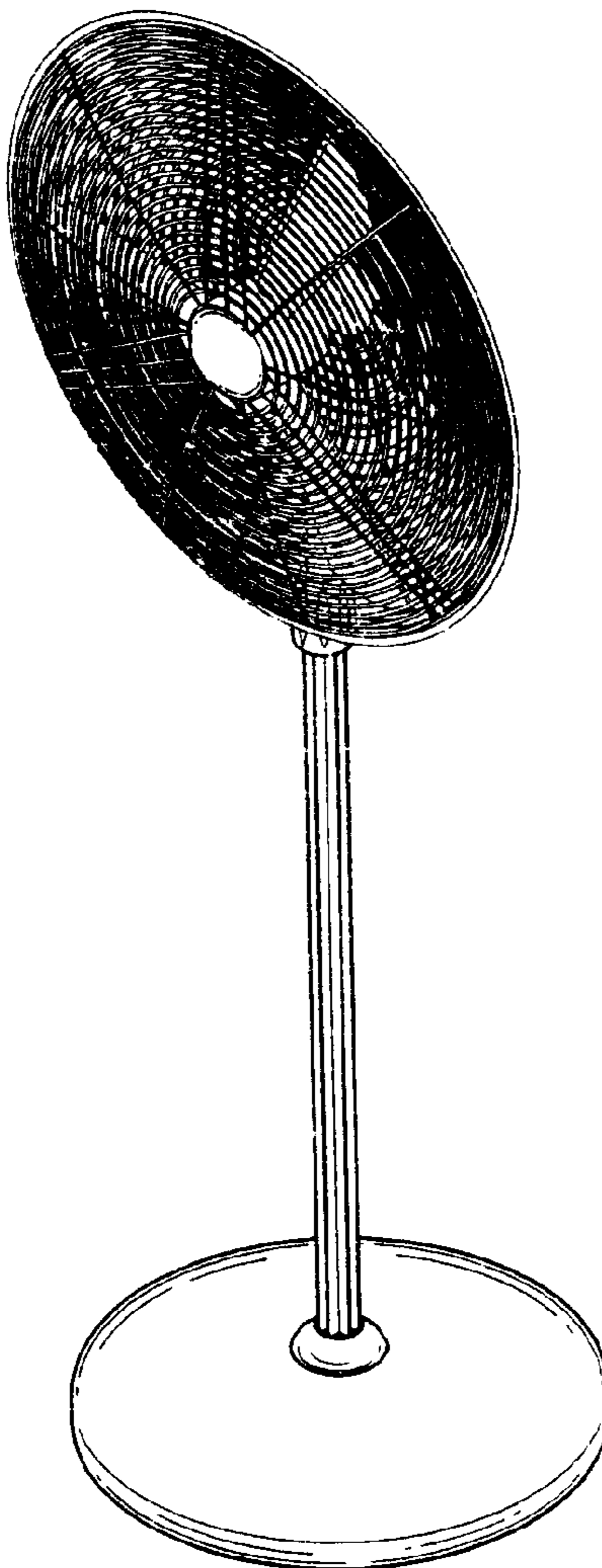
FIG. 6 is a top view thereof;

FIG. 7 is a bottom view thereof;

FIG. 8 is an enlarged cross-sectional view of the shaft of the electric fan taken along line 8 —8 of FIG. 2; and,

FIG. 9 is an enlarged perspective view of the fan blade of the electric fan, shown separately for clarity of illustration.

1 Claim, 5 Drawing Sheets



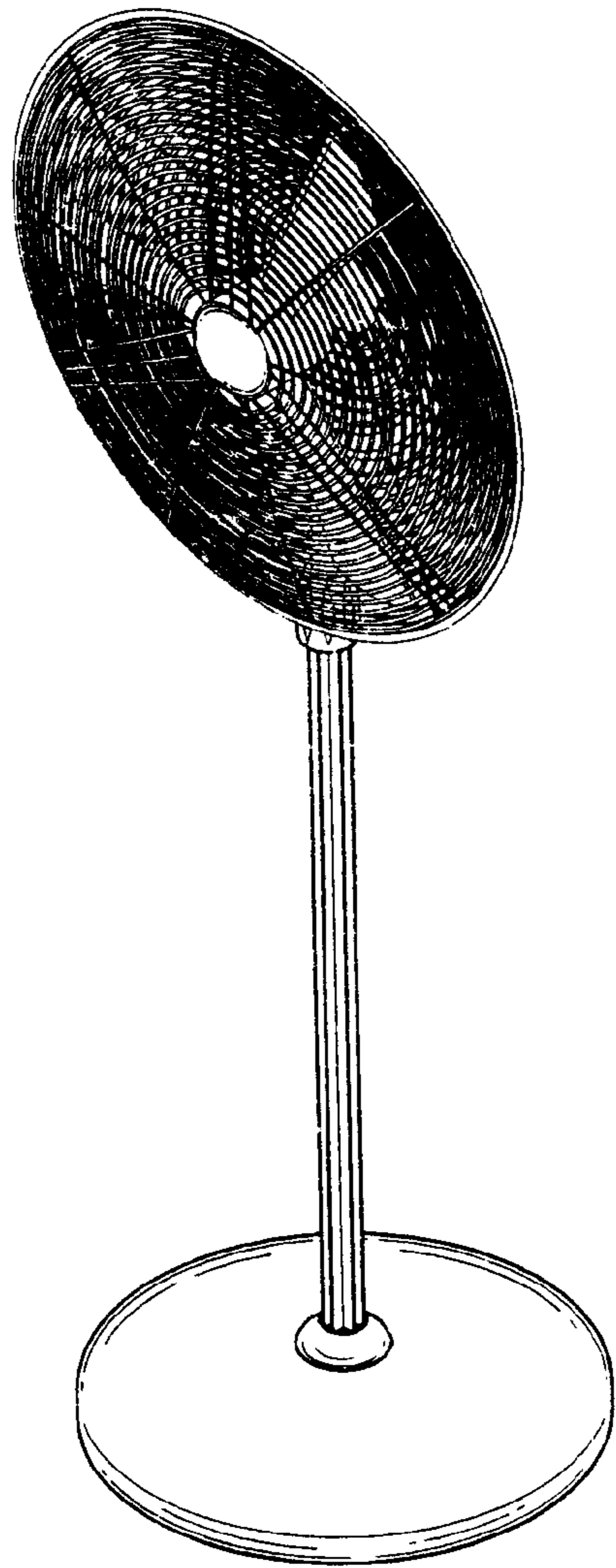


FIG. 1

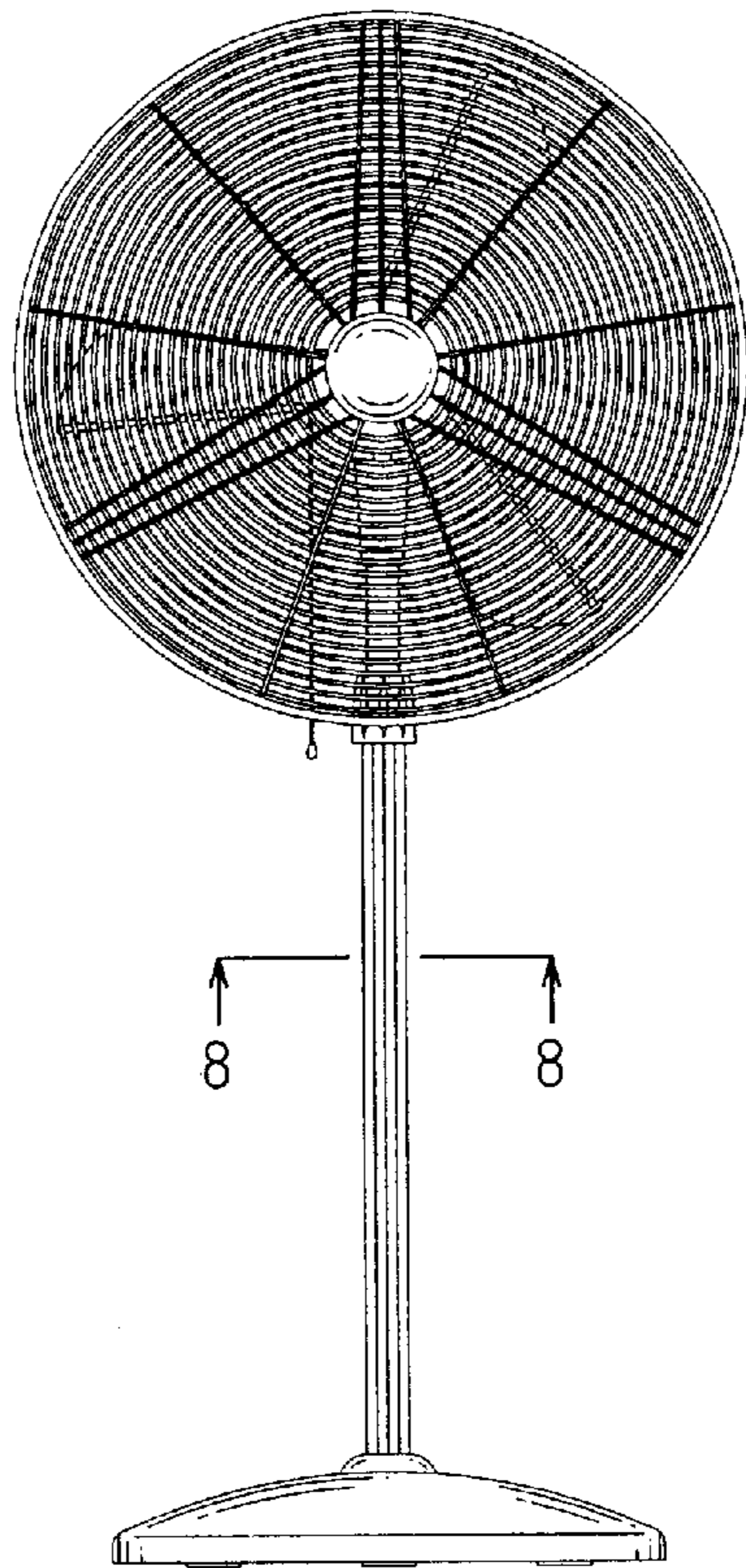


FIG. 2

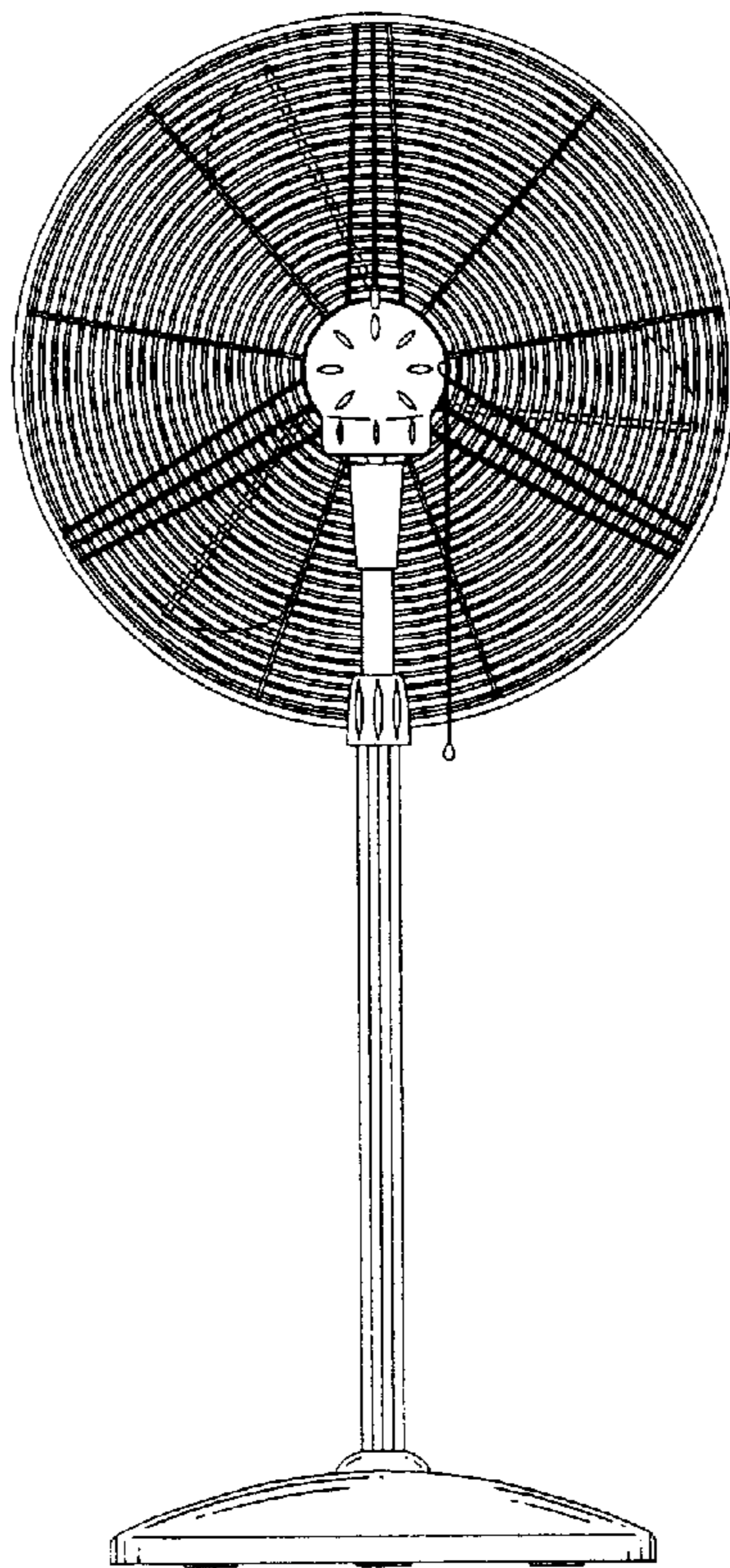


FIG. 3

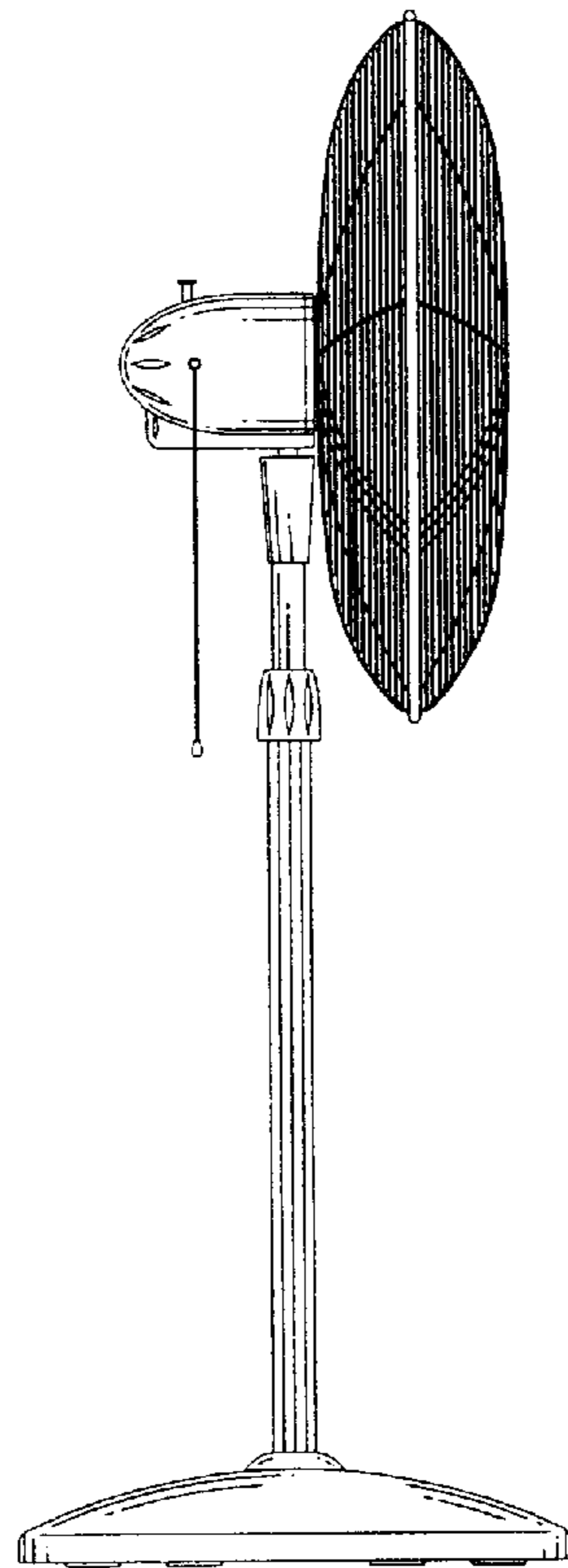


FIG. 4

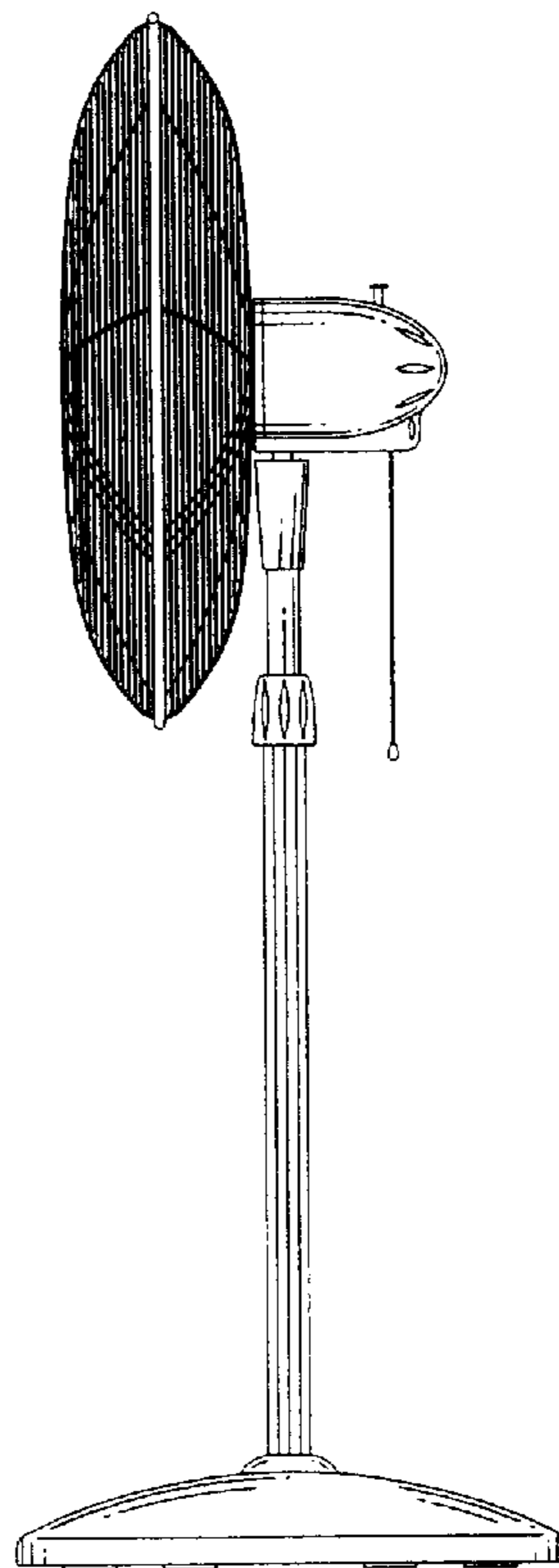


FIG. 5

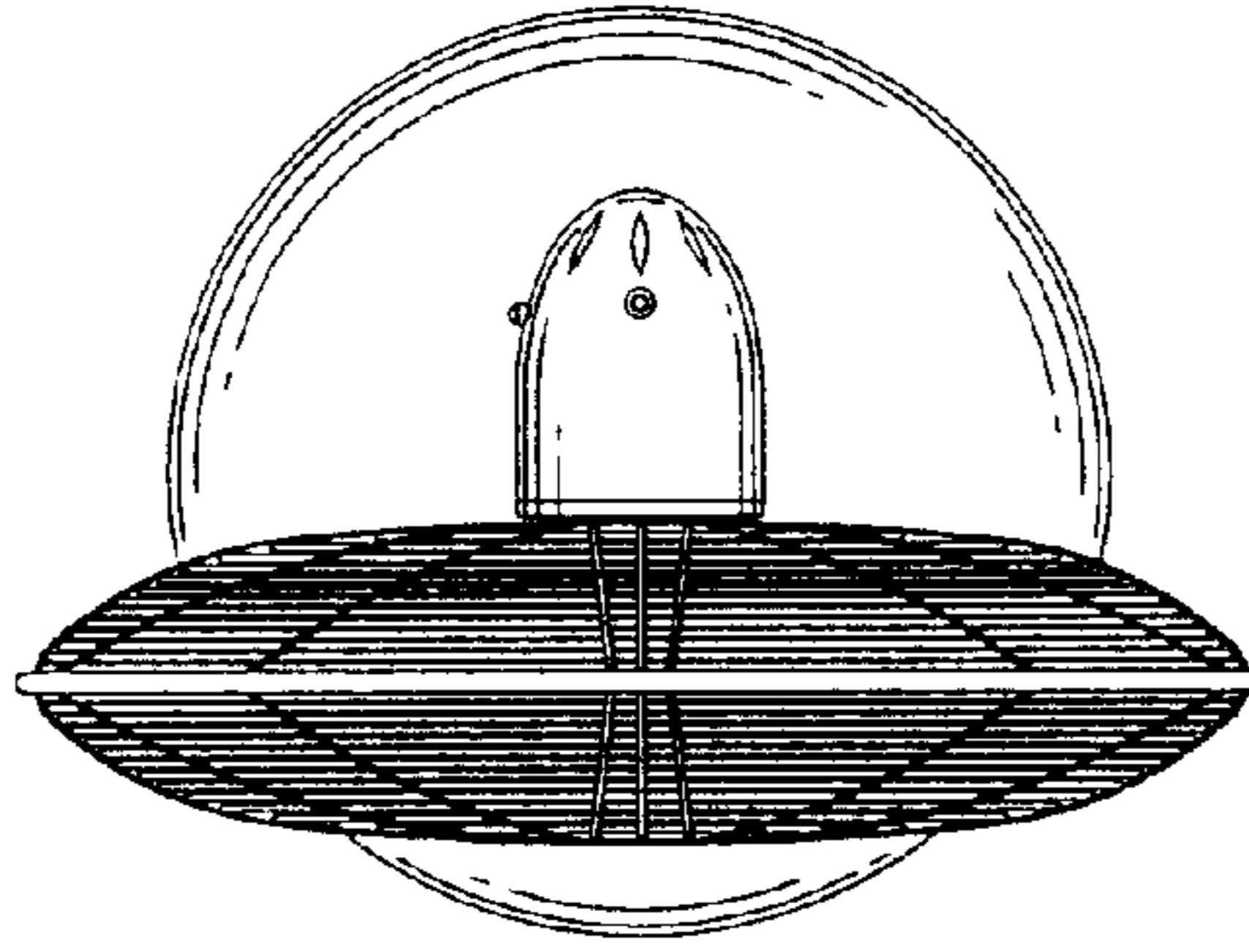


FIG. 6

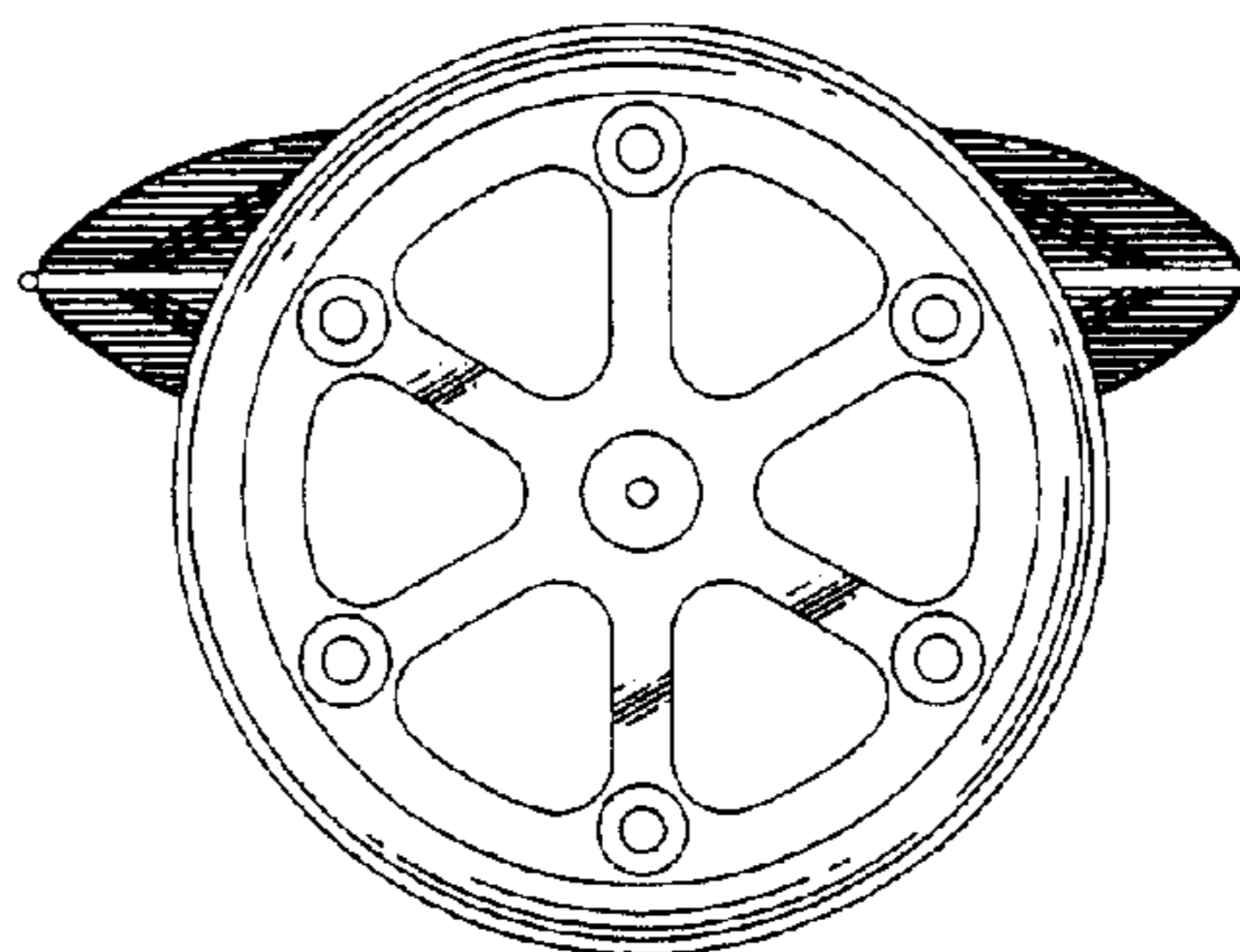


FIG. 7

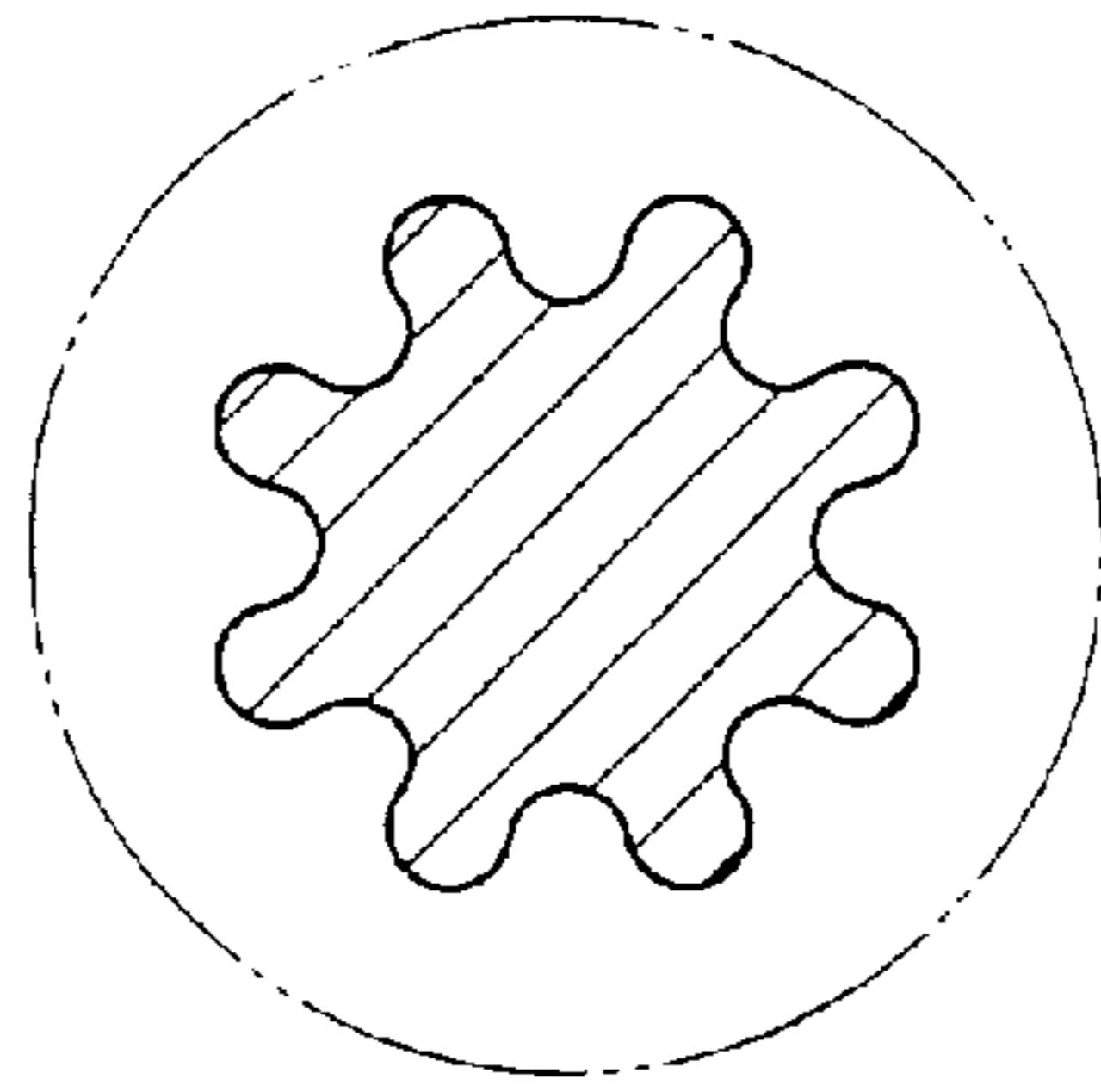


FIG. 8

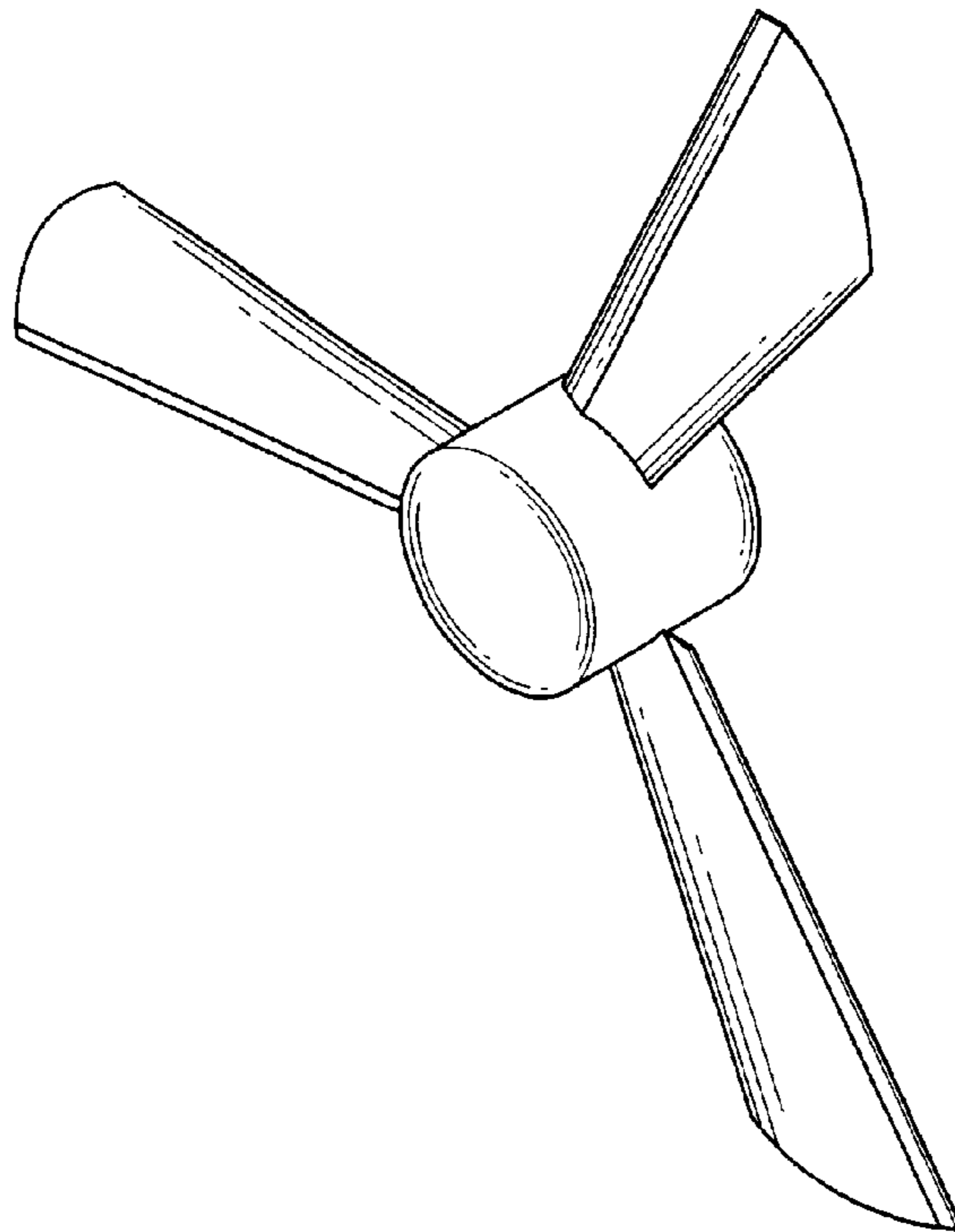


FIG. 9