



US00D511566S

(12) **United States Design Patent** (10) **Patent No.:** **US D511,566 S**  
**Brancato** (45) **Date of Patent:** **\*\* Nov. 15, 2005**

- (54) **AUTO RACING THEME FAUCET**  
(76) Inventor: **Paul Brancato**, 319 Lowell St.,  
Somerville, MA (US) 02145  
(\*\*) Term: **14 Years**  
(21) Appl. No.: **29/202,344**  
(22) Filed: **Mar. 30, 2004**  
(51) **LOC (8) Cl.** ..... **23-01**  
(52) **U.S. Cl.** ..... **D23/256**  
(58) **Field of Search** ..... D23/238-257;  
4/675-678; 137/801; D12/194

(56) **References Cited**

**U.S. PATENT DOCUMENTS**

D461,230 S	*	8/2002	Ko	.....	D23/255
D488,539 S	*	4/2004	McKeone	.....	D23/255
D488,755 S	*	4/2004	Kulla	.....	D12/194
D492,013 S	*	6/2004	Citterio	.....	D23/255

\* cited by examiner

*Primary Examiner*—Louis S. Zarfes  
*Assistant Examiner*—Gregory Andoll  
(74) *Attorney, Agent, or Firm*—Robert K. Tendler

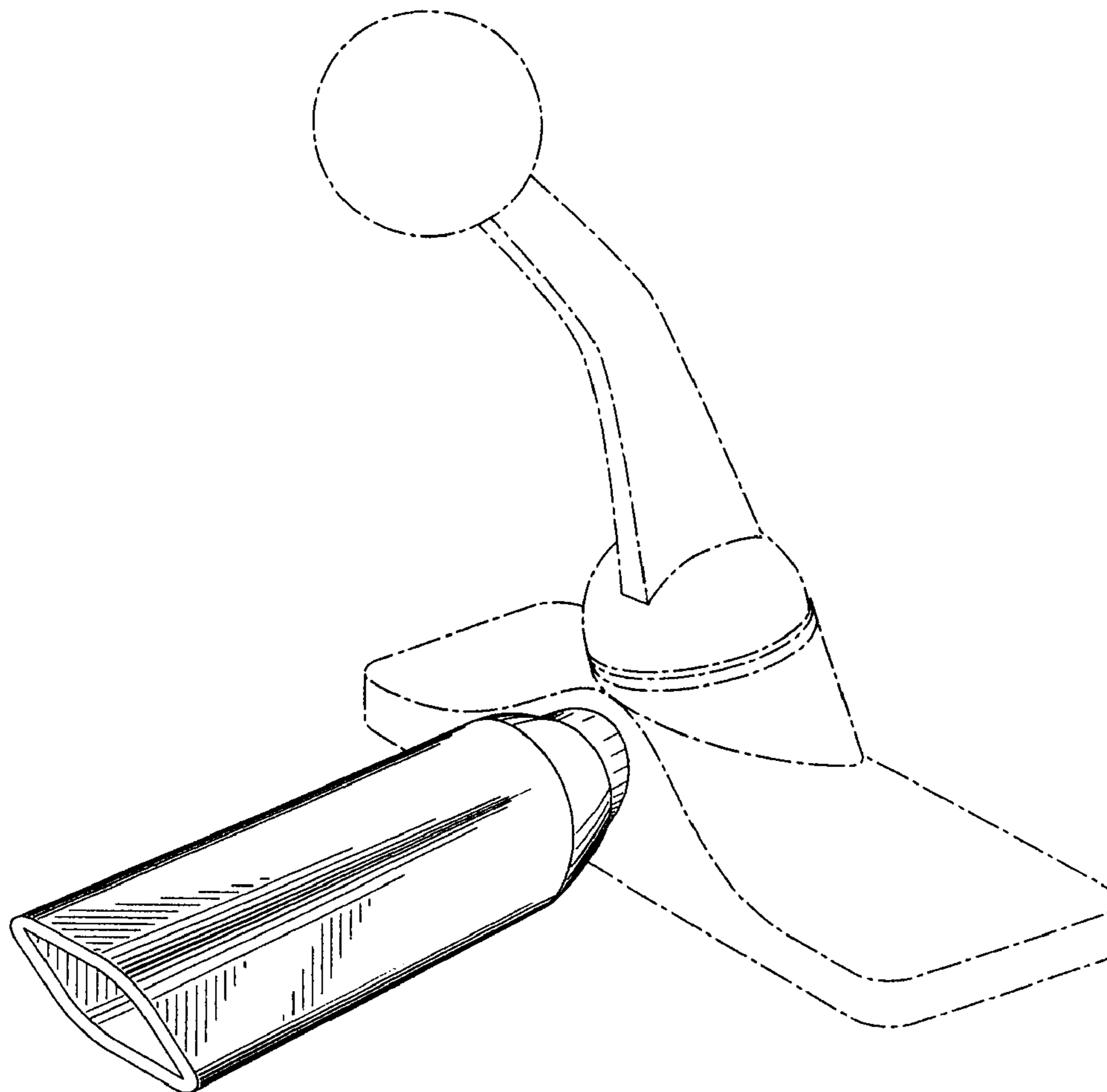
(57) **CLAIM**

The ornamental design for an auto racing theme faucet, as shown.

**DESCRIPTION**

FIG. 1 is a three-quarter front view of the auto racing theme faucet of the present invention;  
FIG. 2 is a front perspective view of the auto racing theme faucet of FIG. 1;  
FIG. 3 is a rear view of the auto racing theme faucet of FIG. 1;  
FIG. 4 is a side view of the auto racing theme faucet of FIG. 1; and,  
FIG. 5 is a top perspective view of the auto racing theme faucet of FIG. 1.  
The broken lines in the Figures are for illustrative purposes only and form no part of the claimed design.

**1 Claim, 5 Drawing Sheets**



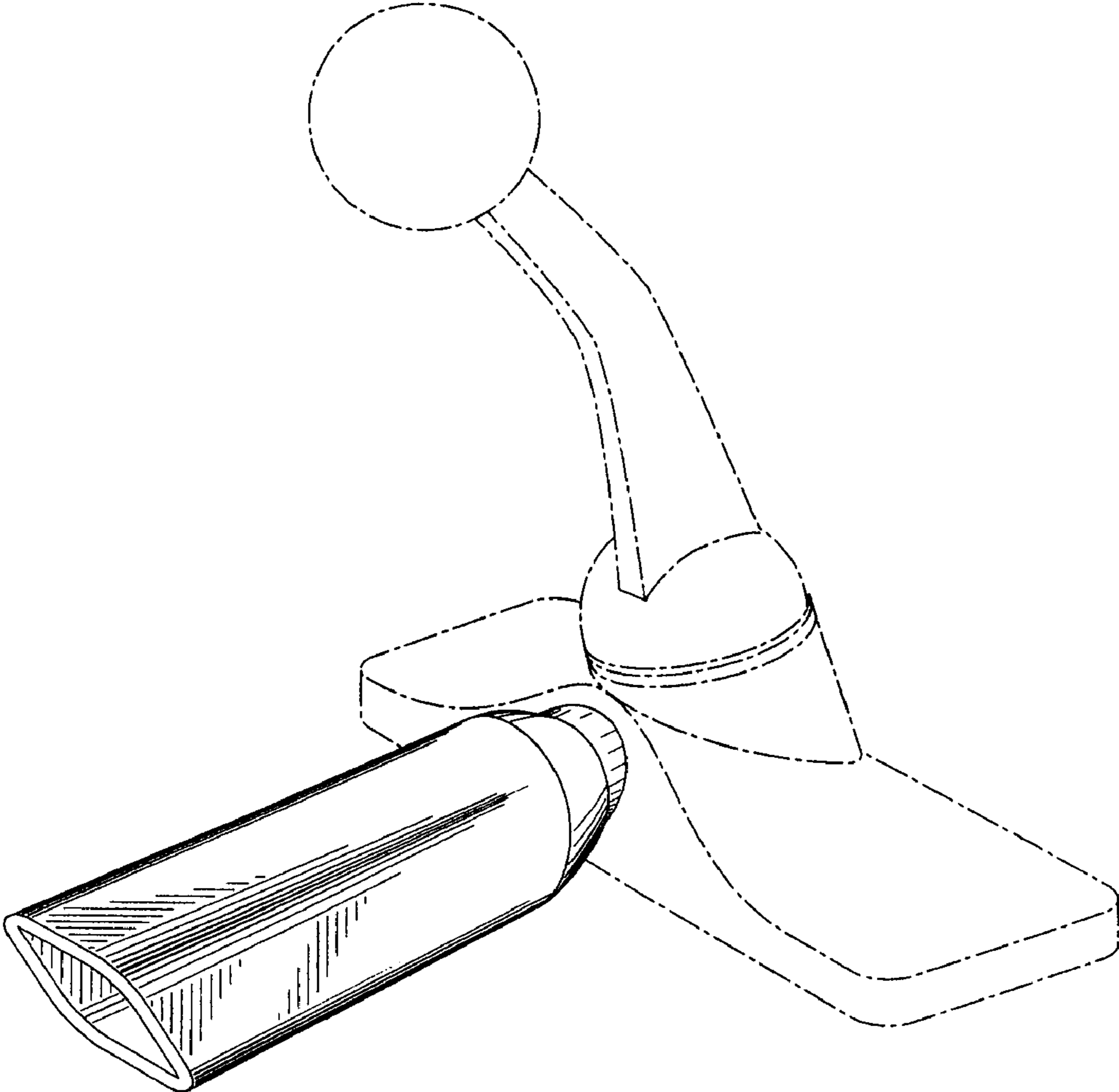


Fig. 1

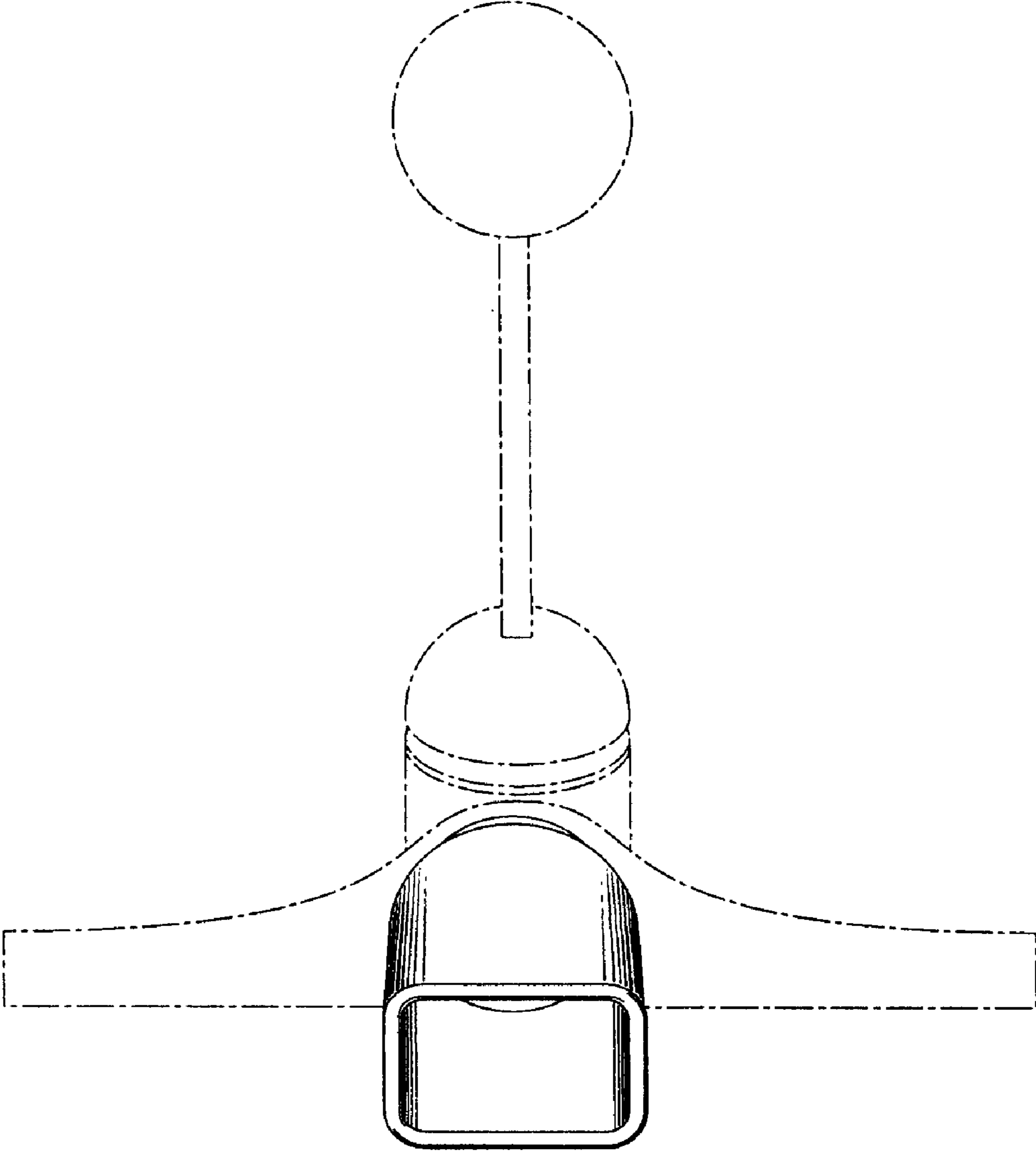


Fig. 2

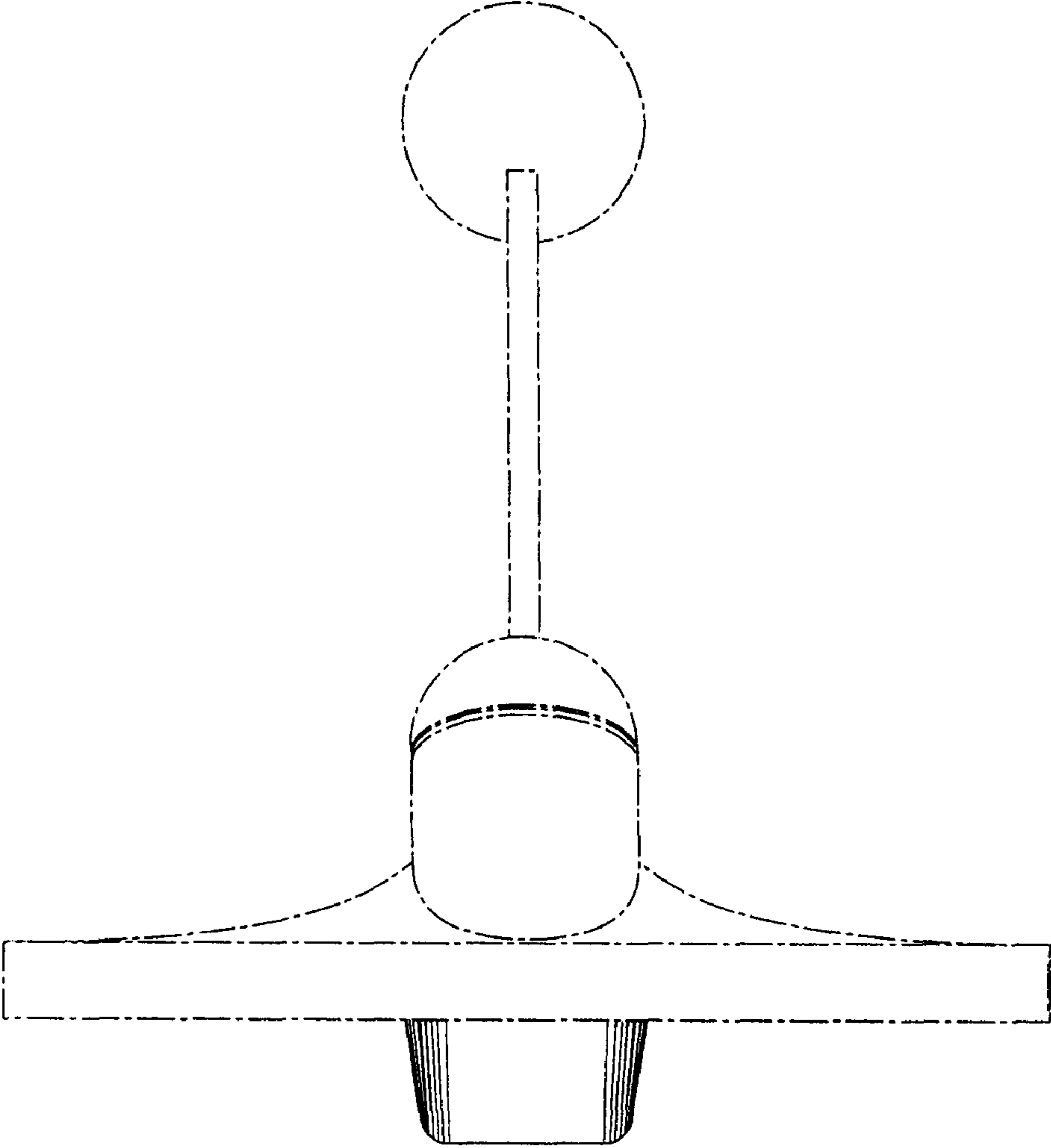


Fig. 3

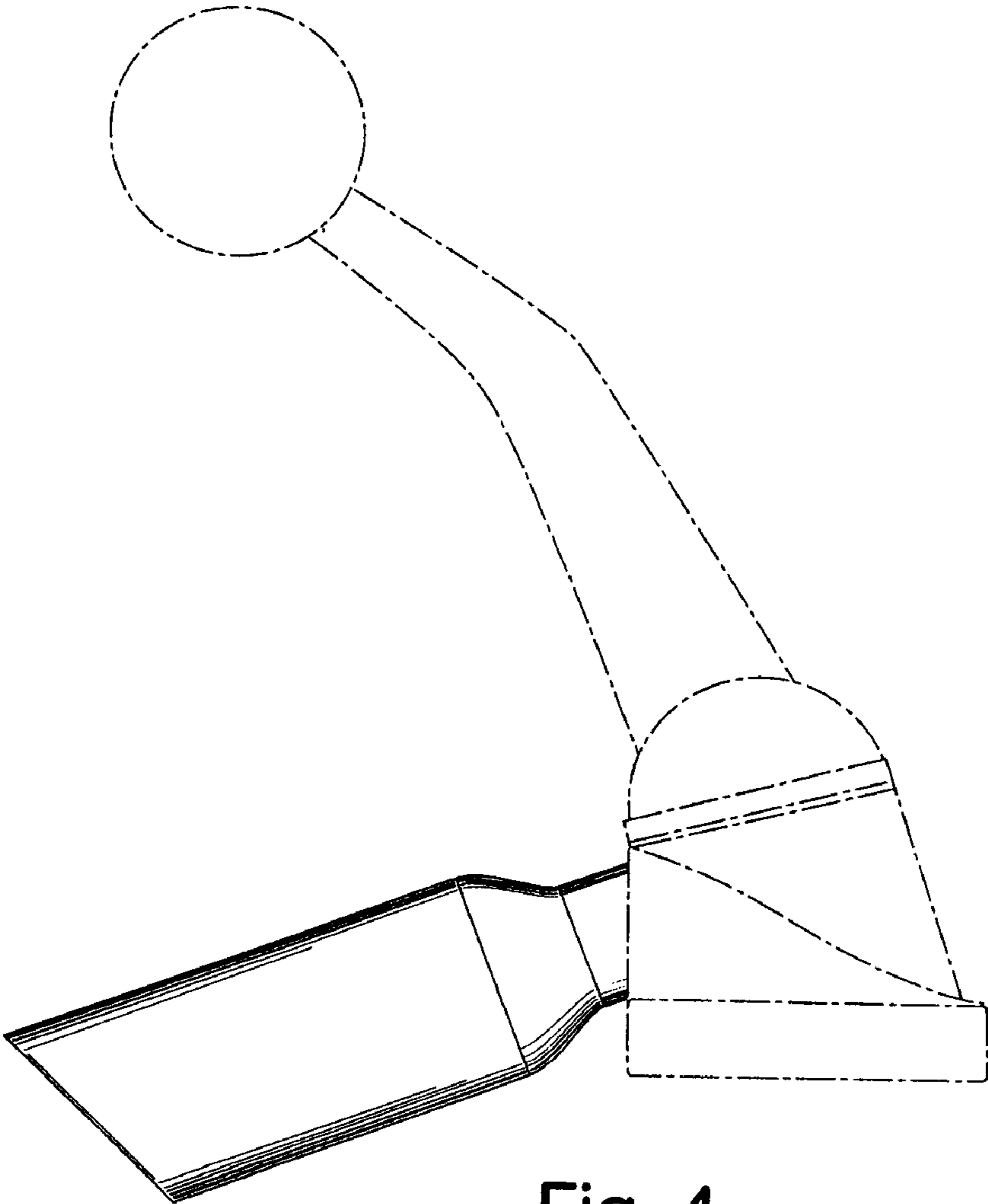


Fig. 4

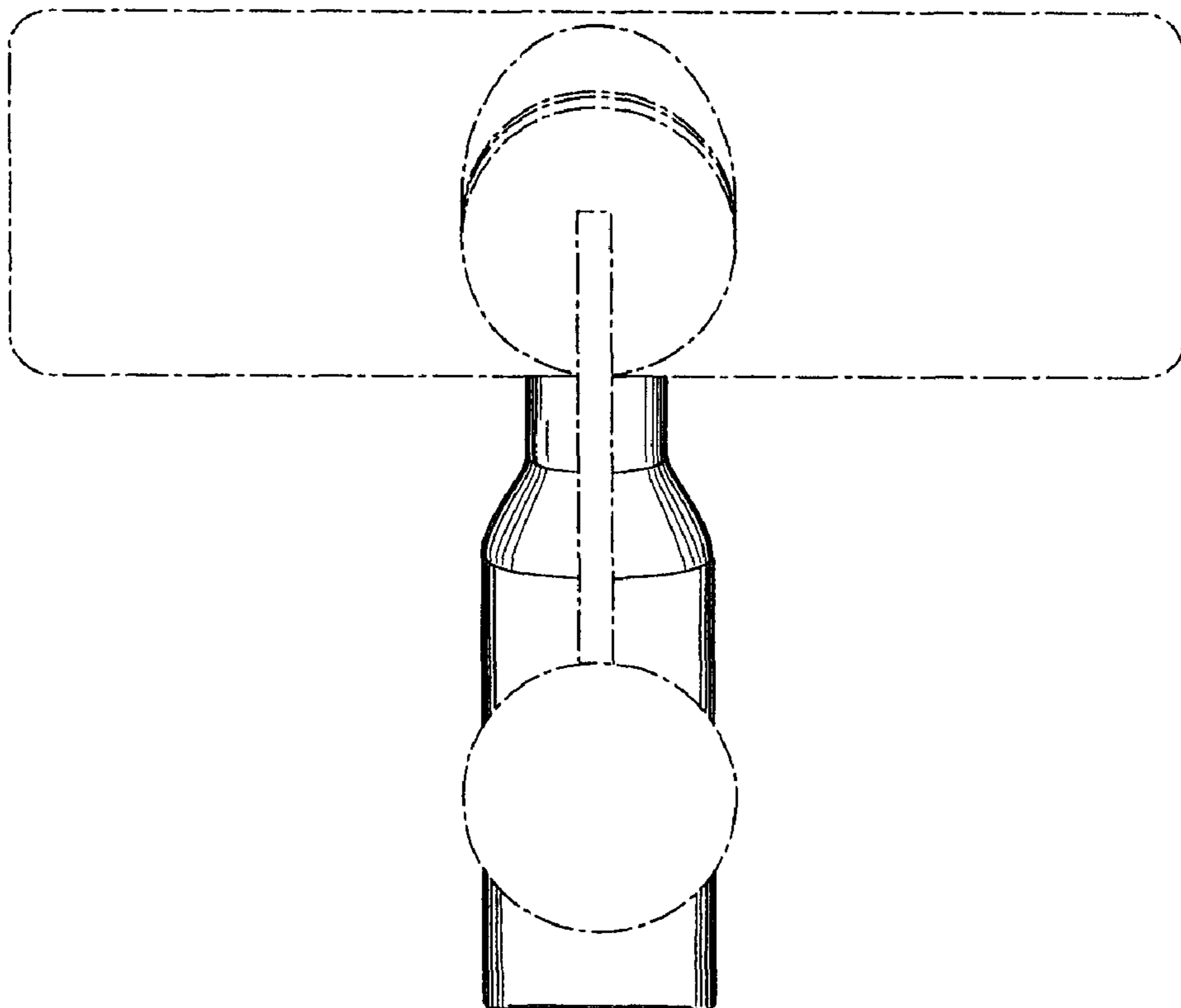


Fig. 5