



US00D511565S

(12) **United States Design Patent**
Brancato

(10) **Patent No.:** **US D511,565 S**

(45) **Date of Patent:** **** Nov. 15, 2005**

(54) **AUTO RACING THEME FAUCET HANDLE**

D473,933 S * 4/2003 Warshawsky et al. D23/252

(76) **Inventor:** **Paul Brancato**, 319 Lowell St.,
Somerville, MA (US) 02145

* cited by examiner

(**) **Term:** **14 Years**

Primary Examiner—Louis S. Zarfes

Assistant Examiner—Gregory Andoll

(21) **Appl. No.:** **29/202,521**

(74) *Attorney, Agent, or Firm*—Robert K. Tendler

(22) **Filed:** **Mar. 30, 2004**

(57) **CLAIM**

The ornamental design for an auto racing theme faucet handle, as shown.

(51) **LOC (8) Cl.** **23-01**

(52) **U.S. Cl.** **D23/252; D23/251**

(58) **Field of Search** D23/238–257;
D8/300–353, DIG. 3; 16/110.1; 4/675–678;
137/801; D12/179; 74/544

DESCRIPTION

FIG. 1 is a three-quarter front view of the auto racing theme faucet handle of the present invention;

FIG. 2 is a front perspective view of the auto racing theme faucet handle of FIG. 1;

FIG. 3 is a rear view of the auto racing theme faucet handle of FIG. 1;

FIG. 4 is a side view of the auto racing theme faucet handle of FIG. 1; and,

FIG. 5 is a top perspective view of the auto racing theme faucet handle of FIG. 1.

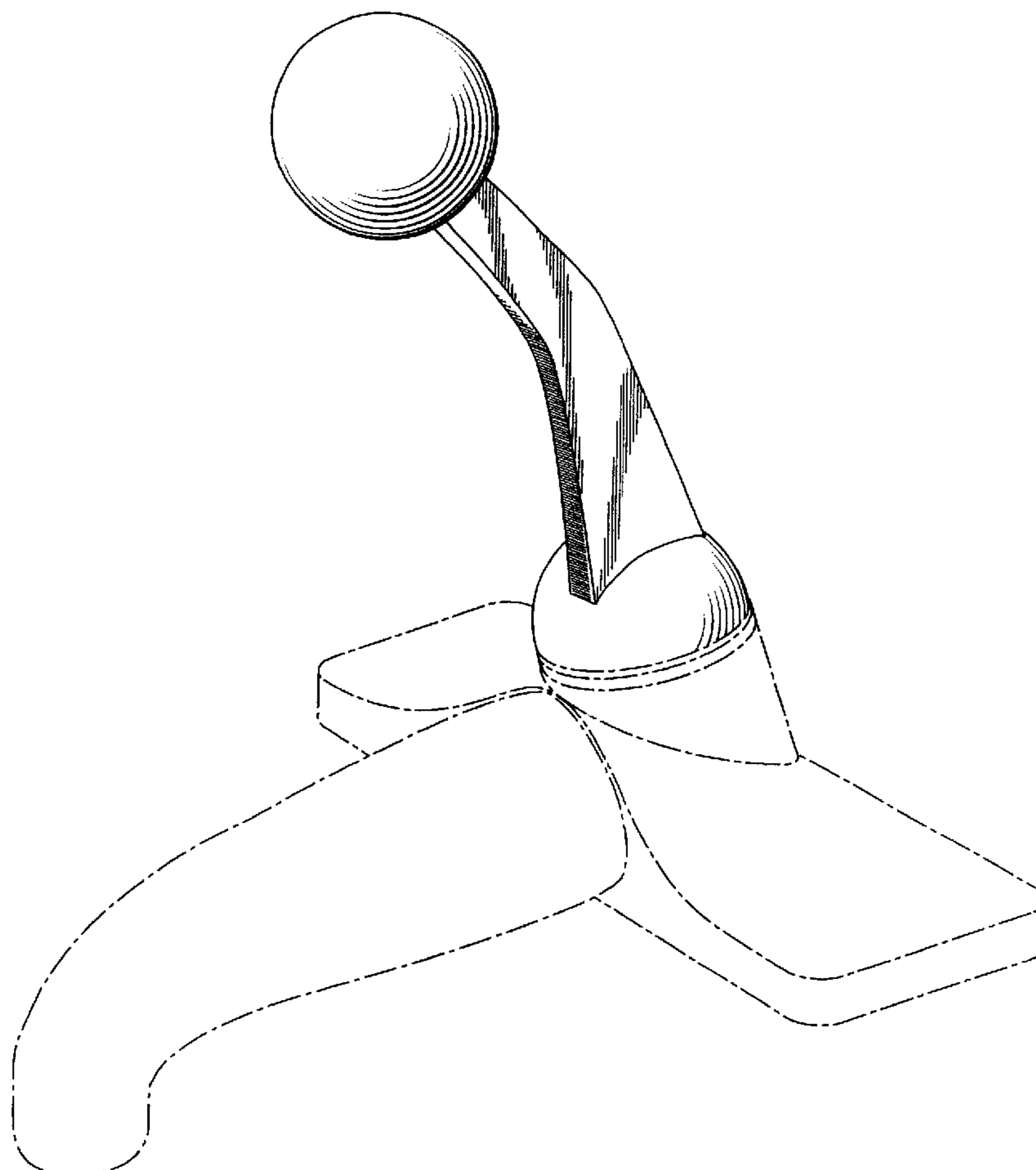
The broken lines in the Figures are for illustrative purposes only and form no part of the claimed design.

(56) **References Cited**

U.S. PATENT DOCUMENTS

1,256,244	A	*	2/1918	Mellin	74/544
D139,355	S	*	11/1944	Trombly	D23/252
D183,943	S	*	11/1958	McGrew	D12/179
D208,183	S	*	7/1967	Jameson	D12/179
D382,045	S	*	8/1997	Hundley et al.	D23/252
D385,717	S	*	11/1997	Howell	D6/419
D426,137	S	*	6/2000	Ball et al.	D8/305
D470,572	S	*	2/2003	Parrette	D23/242

1 Claim, 5 Drawing Sheets



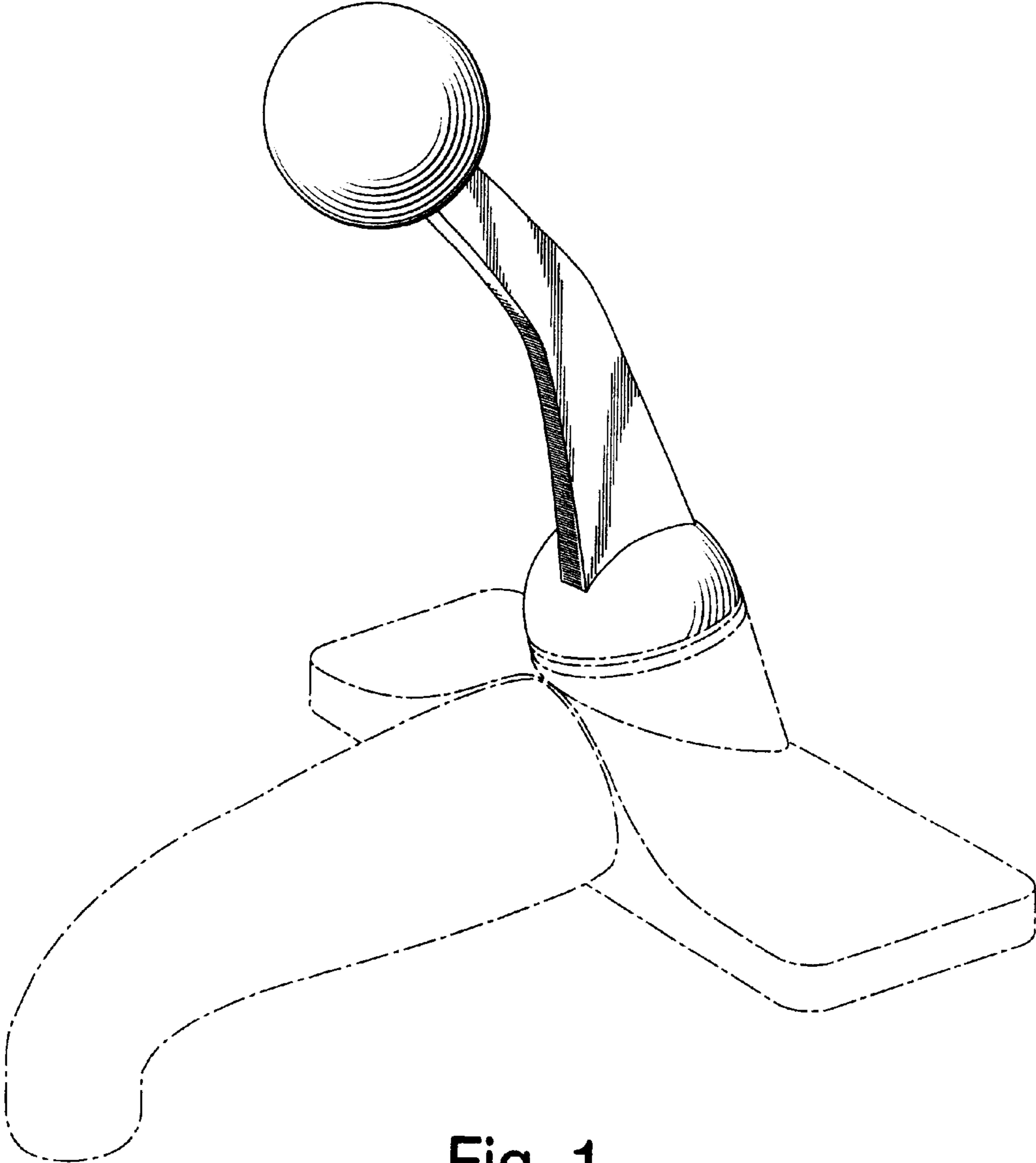


Fig. 1

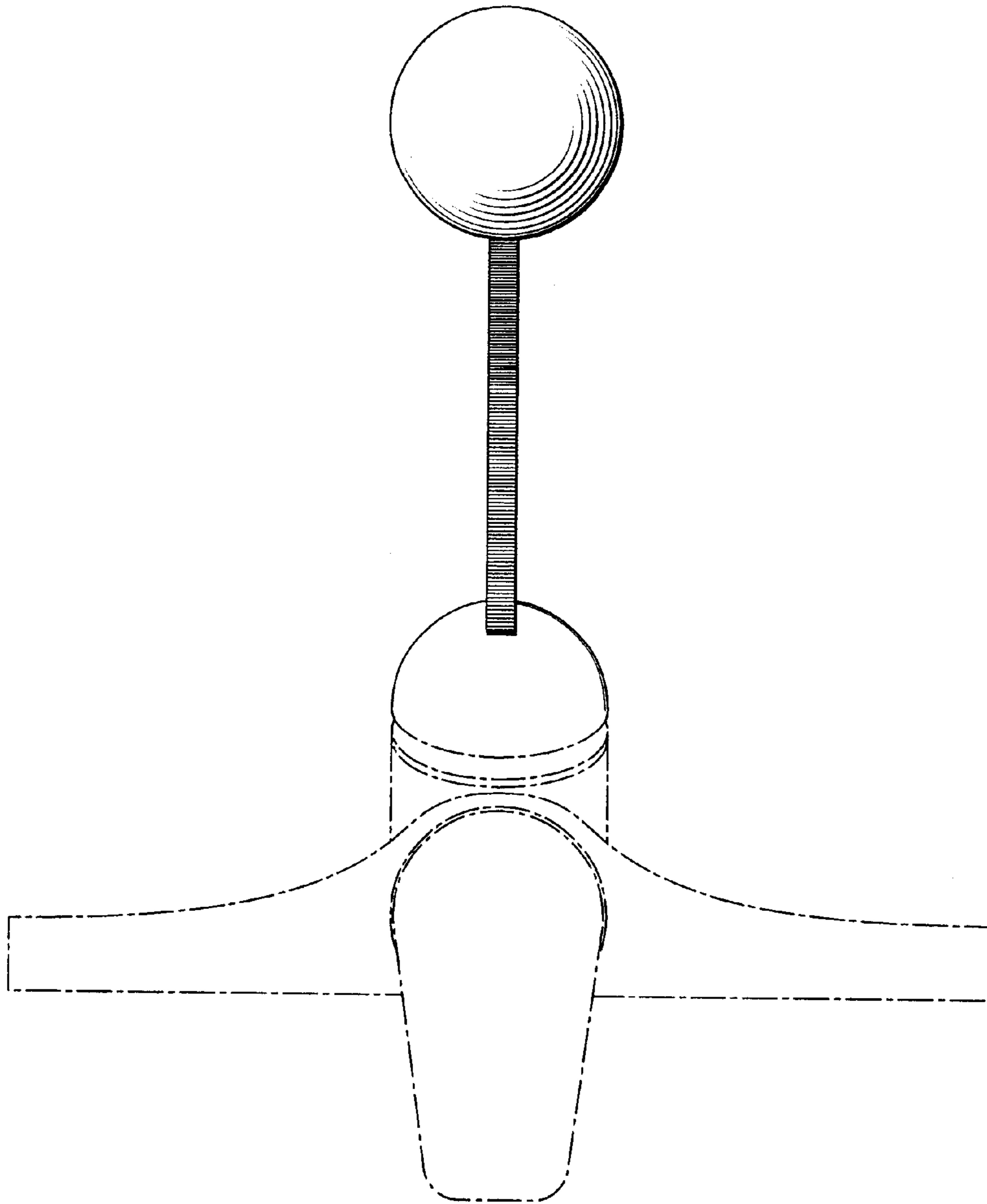


Fig. 2

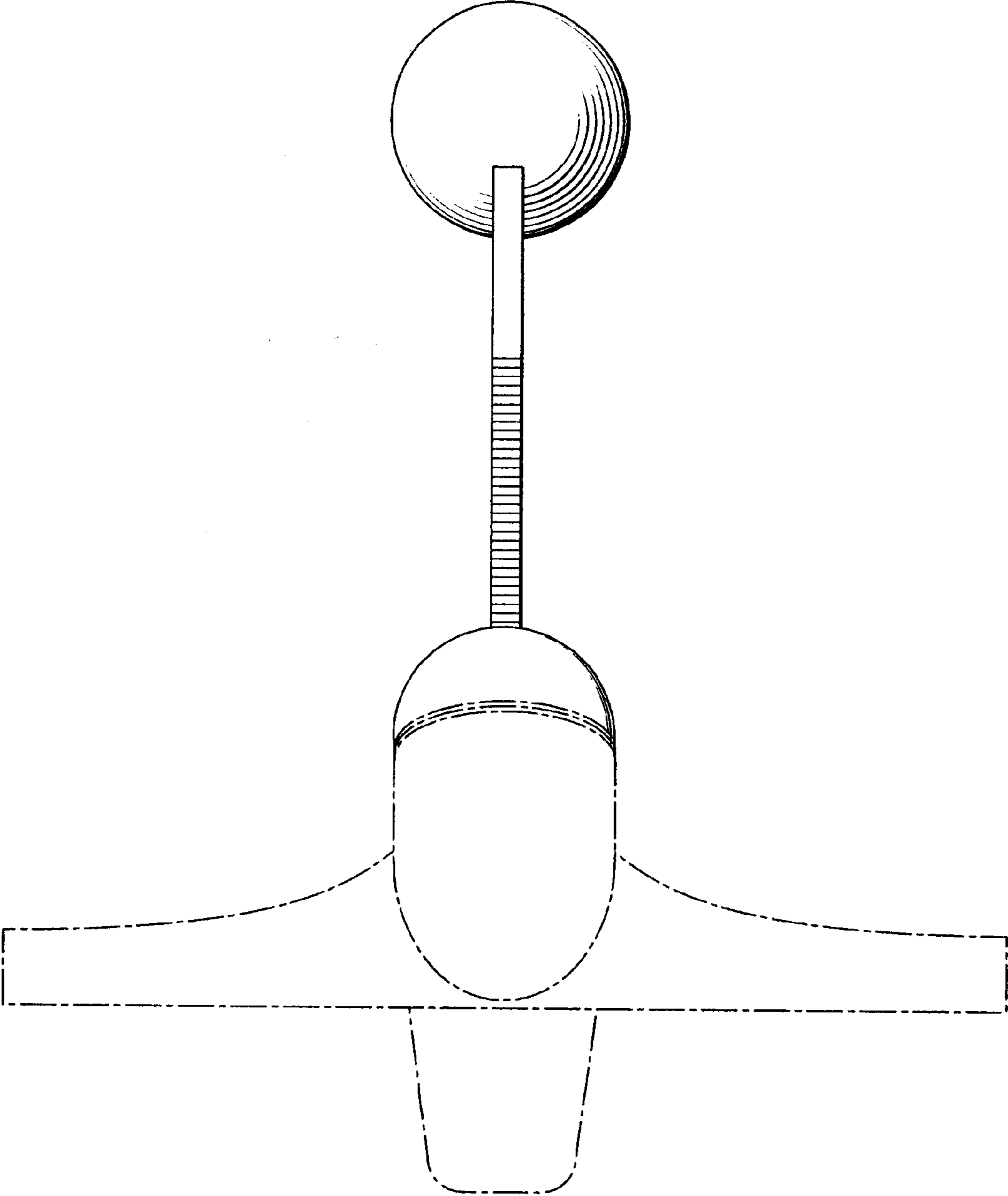
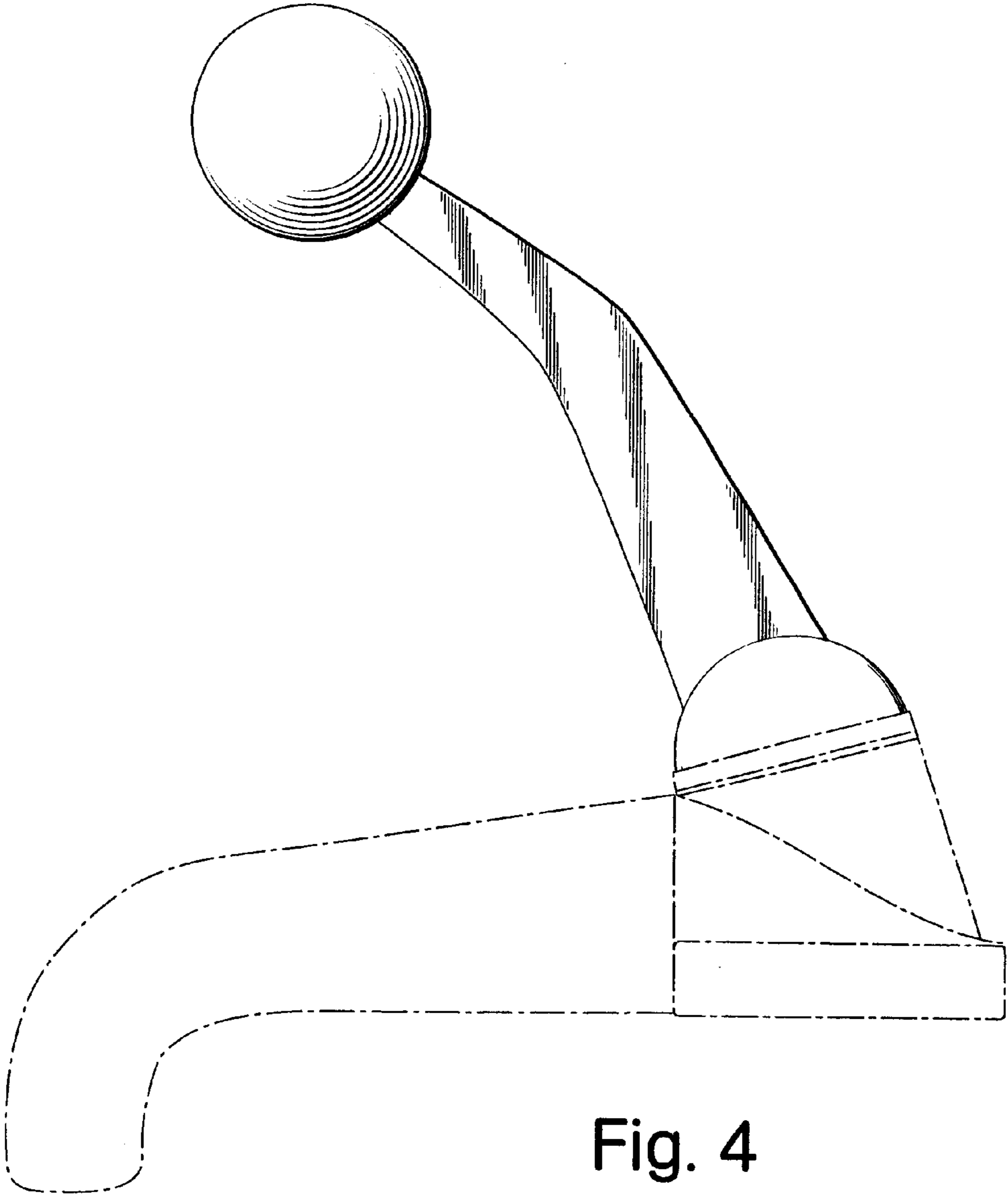


Fig. 3



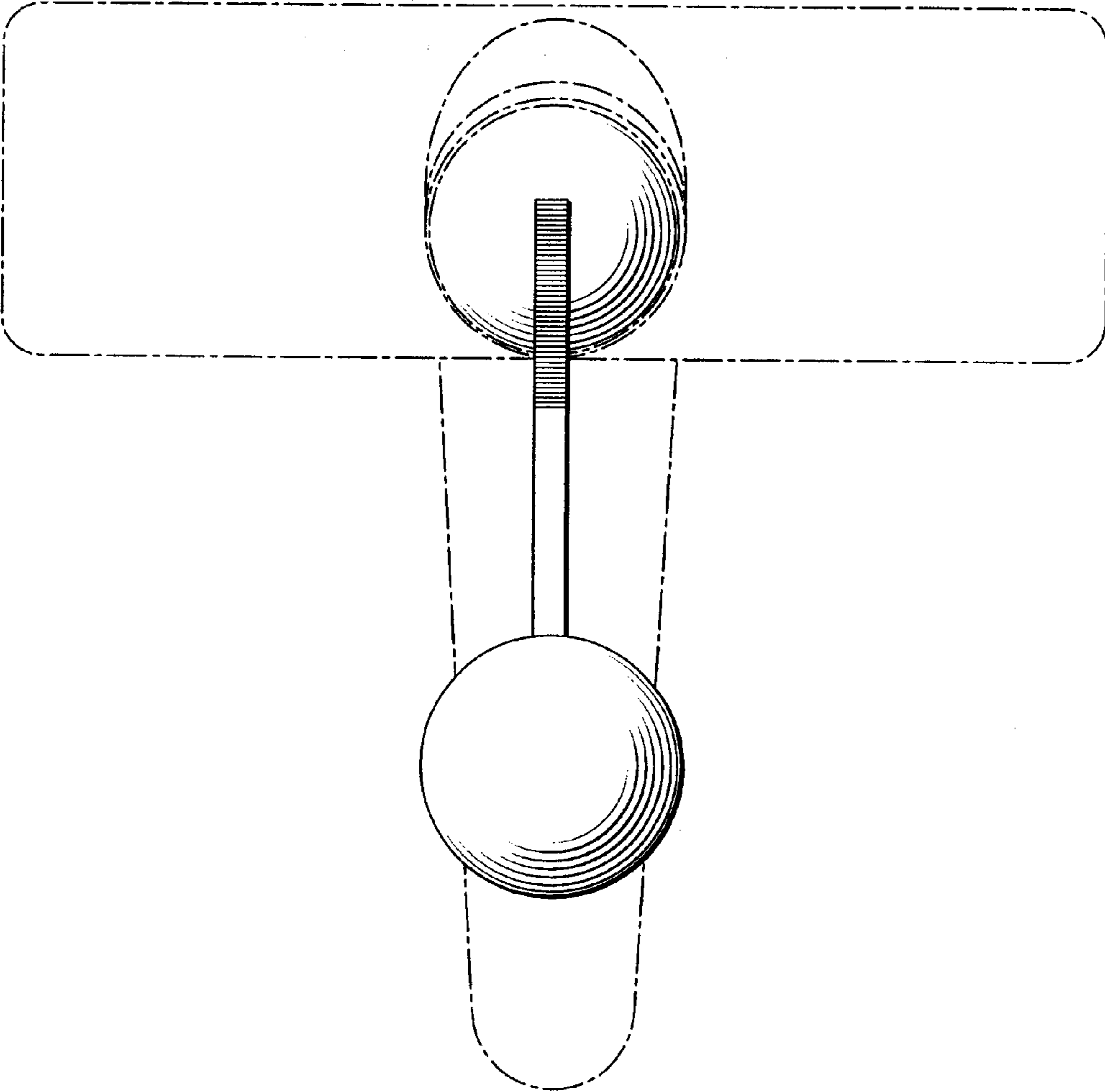


Fig. 5