



US00D511564S

(12) **United States Design Patent**
Berman

(10) **Patent No.: US D511,564 S**

(45) **Date of Patent: ** Nov. 15, 2005**

(54) **FAUCET**

(76) **Inventor: Michael Berman, 7215 W. Beverly Blvd., Los Angeles, CA (US) 90036**

(**) **Term: 14 Years**

(21) **Appl. No.: 29/208,834**

(22) **Filed: Jul. 6, 2004**

Related U.S. Application Data

(62) **Division of application No. 29/188,182, filed on Aug. 13, 2003, now Pat. No. Des. 495,034.**

(51) **LOC (8) Cl. 23-01**

(52) **U.S. Cl. D23/241; D23/242**

(58) **Field of Search D23/238-257; 4/675-678; 137/801**

(56) **References Cited**

U.S. PATENT DOCUMENTS

D115,811 S	*	7/1939	Reinecke	D23/241
D171,571 S	*	3/1954	Baker	D23/241
D289,318 S	*	4/1987	Yost	D23/242
D406,318 S	*	3/1999	Lord	D23/241
D467,998 S	*	12/2002	Panis et al.	D23/242
D470,916 S		2/2003	Friedrich		
D470,917 S		2/2003	Friedrich		
D470,918 S		2/2003	Friedrich		
D470,919 S		2/2003	Friedrich		
D471,255 S		3/2003	Friedrich		

D471,256 S	3/2003	Friedrich
D477,858 S	7/2003	Friedrich
D478,149 S	8/2003	Friedrich
D478,150 S	8/2003	Friedrich
D478,152 S	8/2003	Friedrich
D478,153 S	8/2003	Friedrich

* cited by examiner

Primary Examiner—Louis S. Zarfes

Assistant Examiner—Gregory Andoll

(74) *Attorney, Agent, or Firm*—Stetina Brunda Garred & Brucker

(57) **CLAIM**

I claim the ornamental design for a faucet, as shown and described.

DESCRIPTION

FIG. 1 is a top plan view of the faucet of the present invention showing my new design with the phantom lines depicting environmental structure and forming no part of the claimed design;

FIG. 2 is a front elevational view thereof with the phantom lines depicting environmental structure and forming no part of the claimed design; and,

FIG. 3 is a left side elevational view thereof with the phantom lines depicting environmental structure and forming no part of the claimed design, the right side being a mirror image.

1 Claim, 1 Drawing Sheet

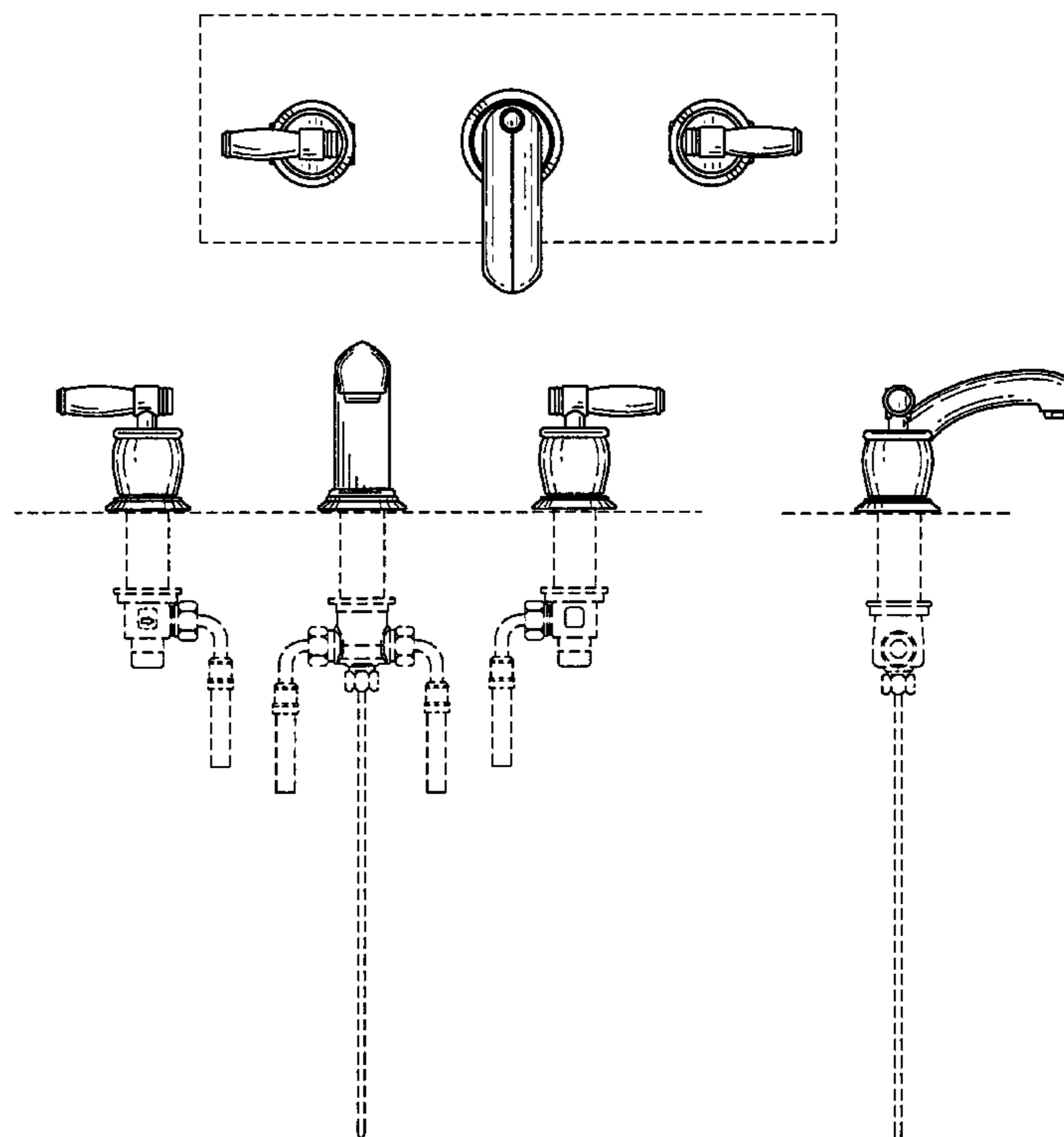


FIG. 1

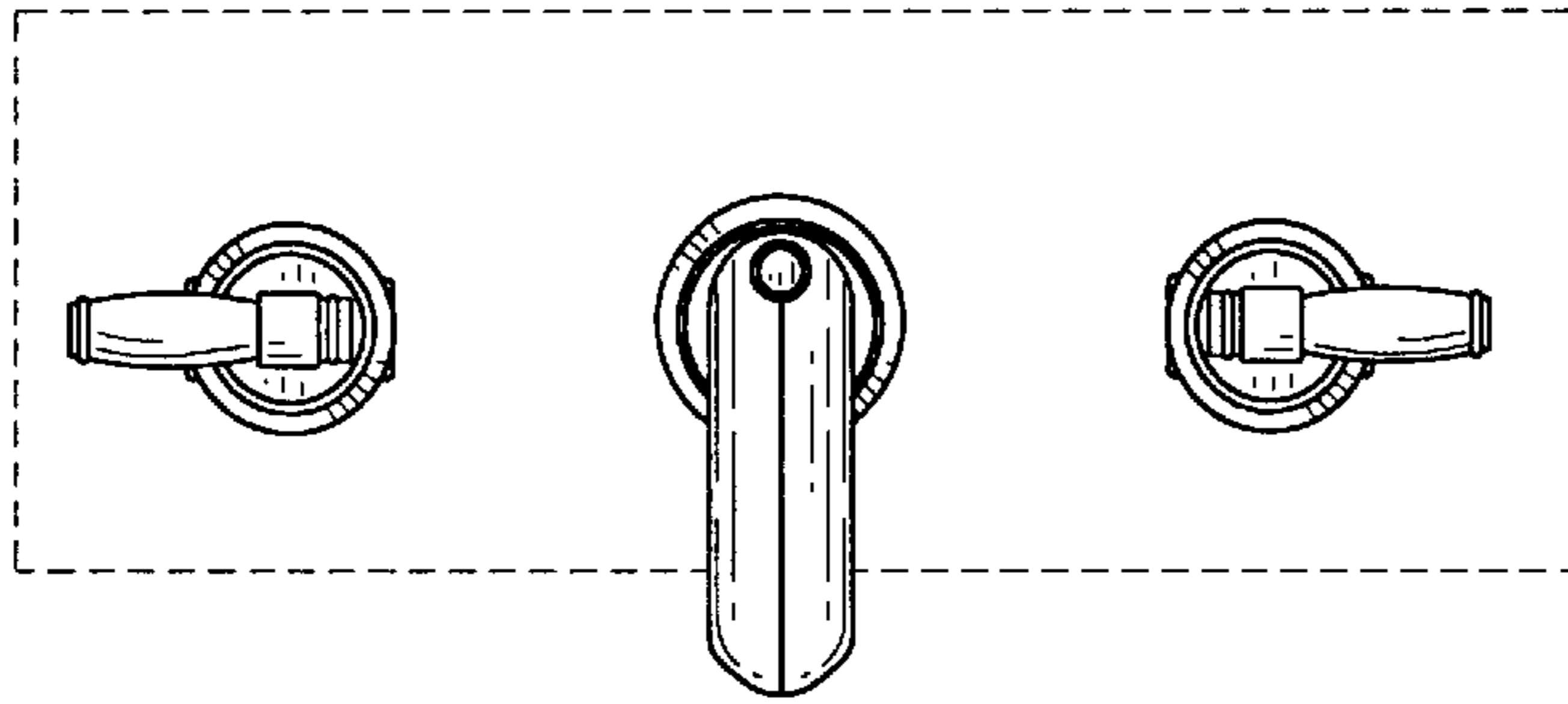


FIG. 2

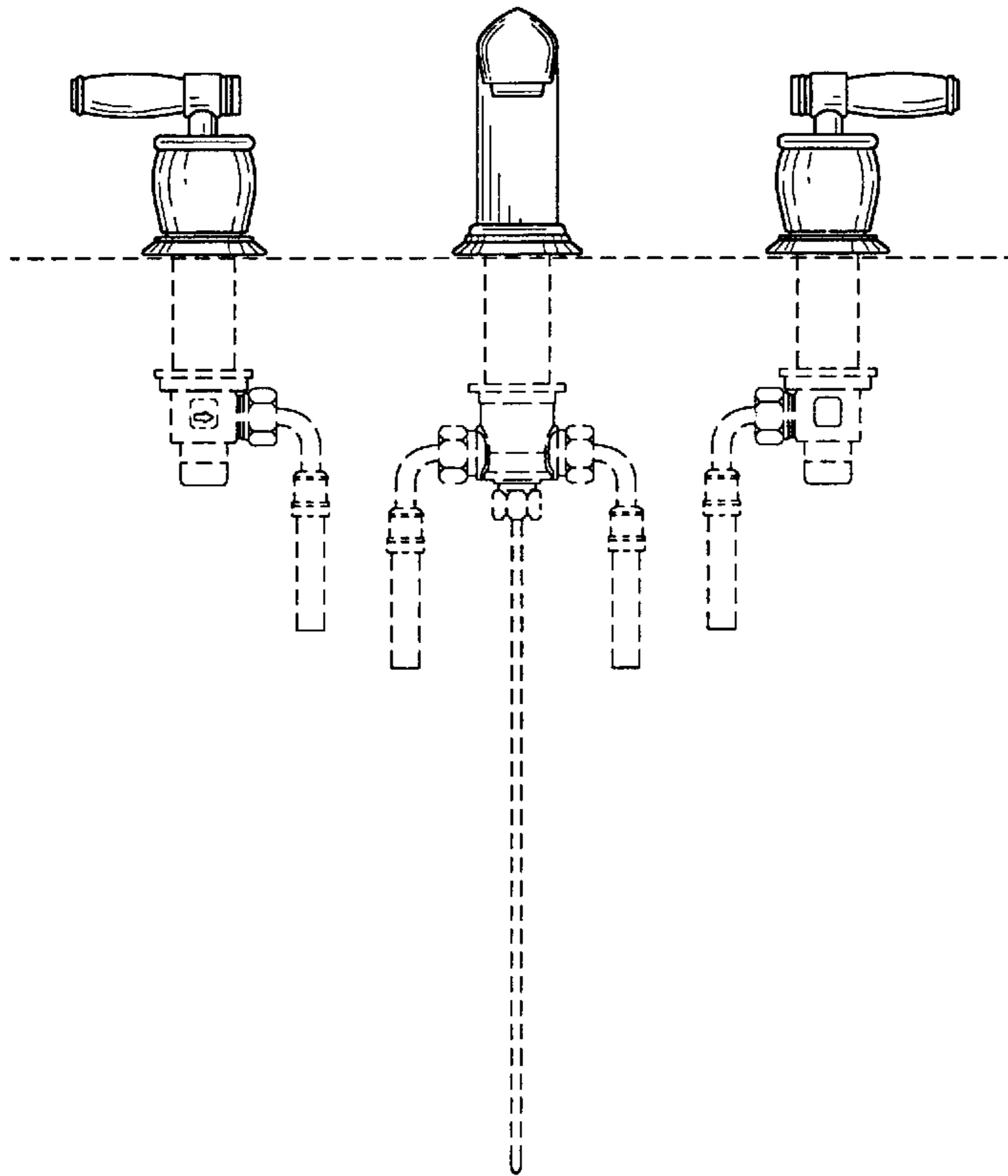


FIG. 3

