



US00D511563S

(12) **United States Design Patent** (10) **Patent No.:** **US D511,563 S**  
**Berman** (45) **Date of Patent:** **\*\* Nov. 15, 2005**

(54) **FAUCET**

(76) Inventor: **Michael Berman**, 7215 W. Beverly Blvd., Los Angeles, CA (US) 90036

(\*\*) Term: **14 Years**

(21) Appl. No.: **29/208,833**

(22) Filed: **Jul. 6, 2004**

**Related U.S. Application Data**

(62) Division of application No. 29/188,169, filed on Aug. 13, 2003, now Pat. No. Des. 495,033.

(51) **LOC (8) Cl.** ..... **23-01**

(52) **U.S. Cl.** ..... **D23/241; D23/242**

(58) **Field of Search** ..... **D23/238-257; 4/675-678; 137/801**

(56) **References Cited**

**U.S. PATENT DOCUMENTS**

D171,572 S	*	3/1954	Baker	.....	D23/241
D378,230 S	*	2/1997	Doughty et al.	.....	D23/241
D460,525 S	*	7/2002	Green et al.	.....	D23/241
D469,505 S	*	1/2003	Marshall	.....	D23/242
D470,916 S		2/2003	Friedrich		
D470,917 S		2/2003	Friedrich		
D470,918 S		2/2003	Friedrich		
D470,919 S		2/2003	Friedrich		
D471,255 S		3/2003	Friedrich		
D471,256 S		3/2003	Friedrich		
D475,123 S	*	5/2003	Citterio	.....	D23/241
D476,721 S	*	7/2003	Ouyoung	.....	D23/242
D477,858 S		7/2003	Friedrich		
D478,149 S		8/2003	Friedrich		
D478,150 S		8/2003	Friedrich		
D478,152 S		8/2003	Friedrich		
D478,153 S		8/2003	Friedrich		

\* cited by examiner

*Primary Examiner*—Louis S. Zarfes

*Assistant Examiner*—Gregory Andoll

(74) *Attorney, Agent, or Firm*—Stetina Brunda Garred & Brucker

(57) **CLAIM**

I claim the ornamental design for a faucet, as shown and described.

**DESCRIPTION**

FIG. 1 is a top plan view of the faucet of the present invention showing my new design with the phantom lines depicting environmental structure and forming no part of the claimed design;

FIG. 2 is a front elevational view thereof with the phantom lines depicting environmental structure and forming no part of the claimed design;

FIG. 3 is a left side elevational view thereof with the phantom lines depicting environmental structure and forming no part of the claimed design, the right side being a mirror image;

FIG. 4 is a bottom plan view thereof with the phantom lines depicting environmental structure and forming no part of the claimed design;

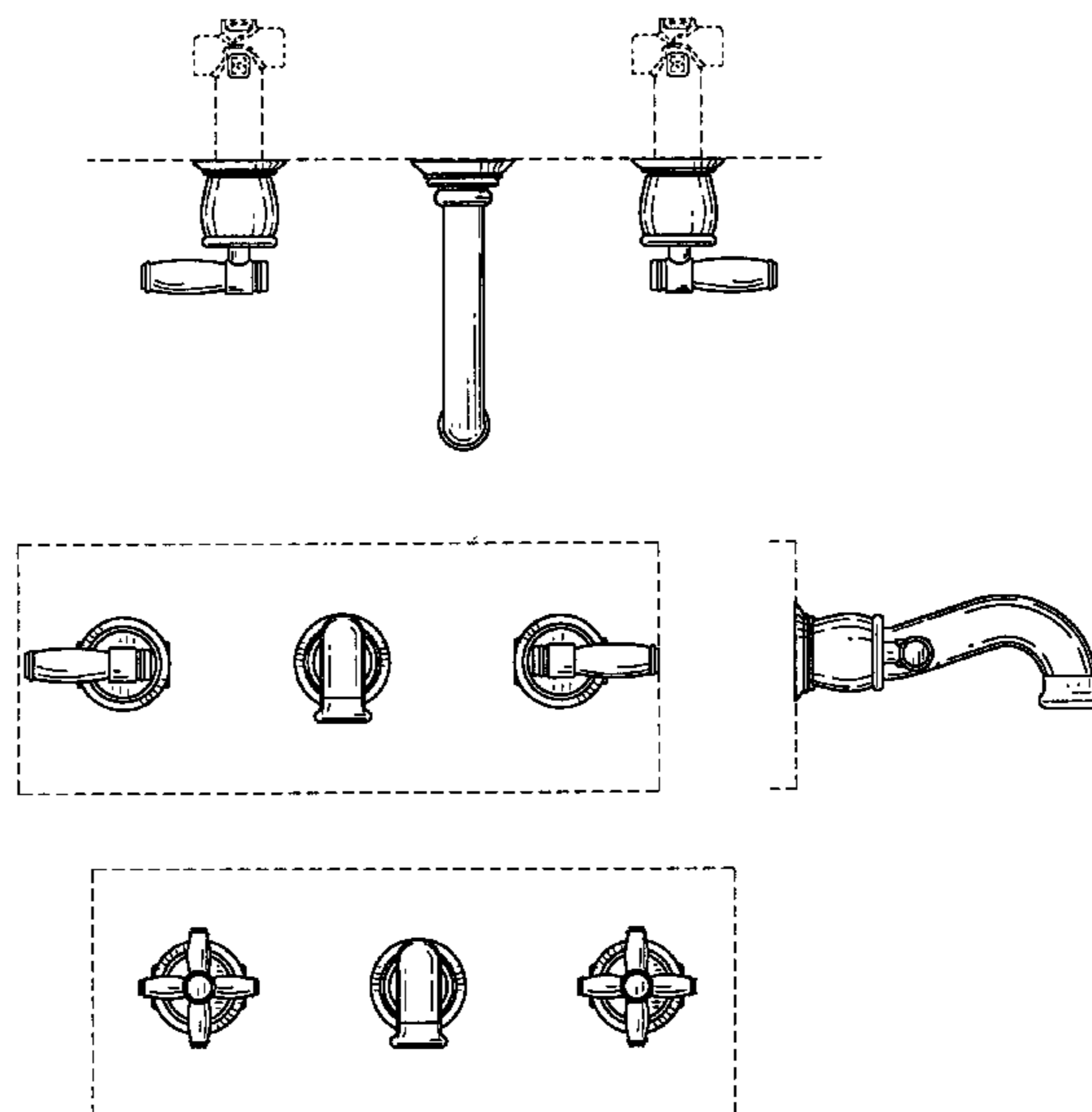
FIG. 5 is a top plan view of a second embodiment of the faucet showing my new design with the phantom lines depicting environmental structure and forming no part of the claimed design;

FIG. 6 is a front elevational view thereof with the phantom lines depicting environmental structure and forming no part of the claimed design;

FIG. 7 is a left side elevational view thereof with the phantom lines depicting environmental structure and forming no part of the claimed design, the right side being a mirror image; and,

FIG. 8 is a bottom plan view thereof with the phantom lines depicting environmental structure and forming no part of the claimed design.

**1 Claim, 2 Drawing Sheets**



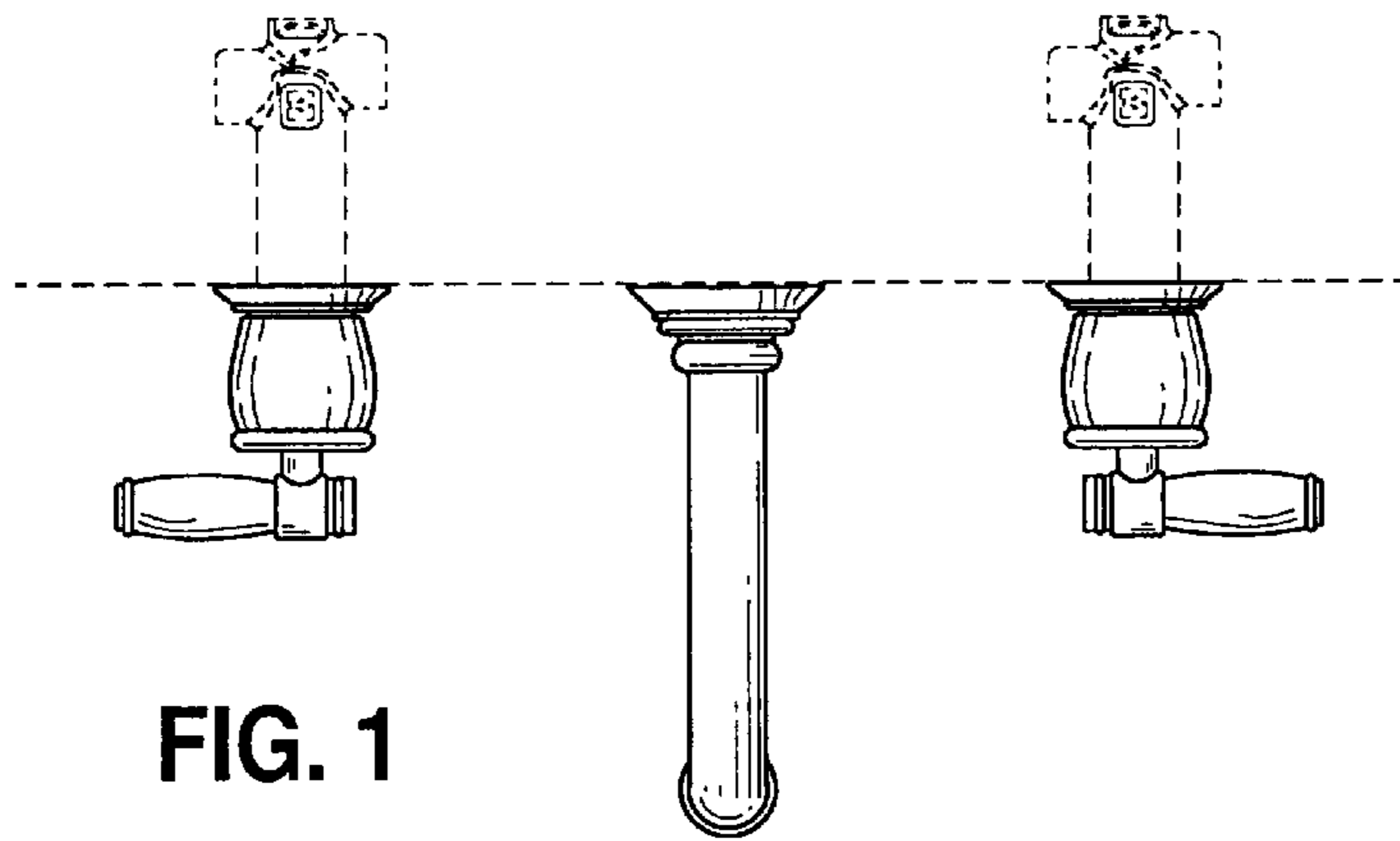


FIG. 2

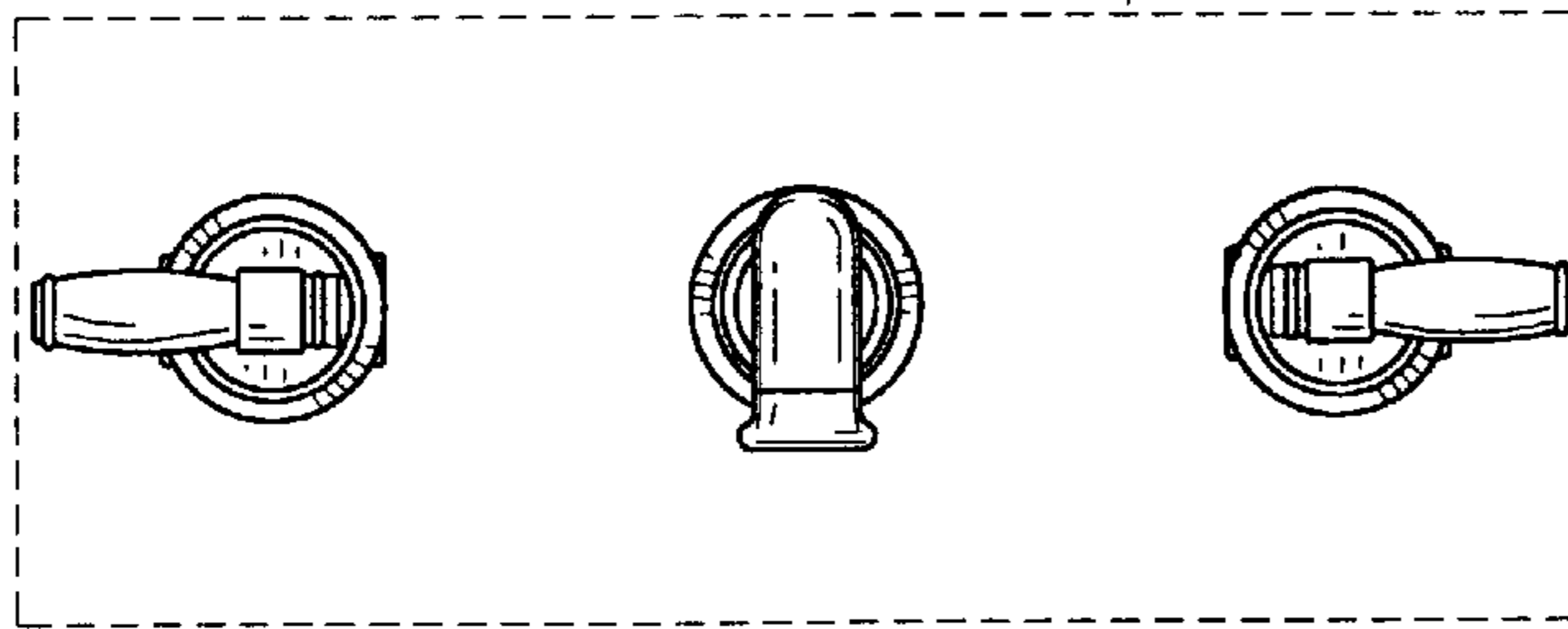


FIG. 3

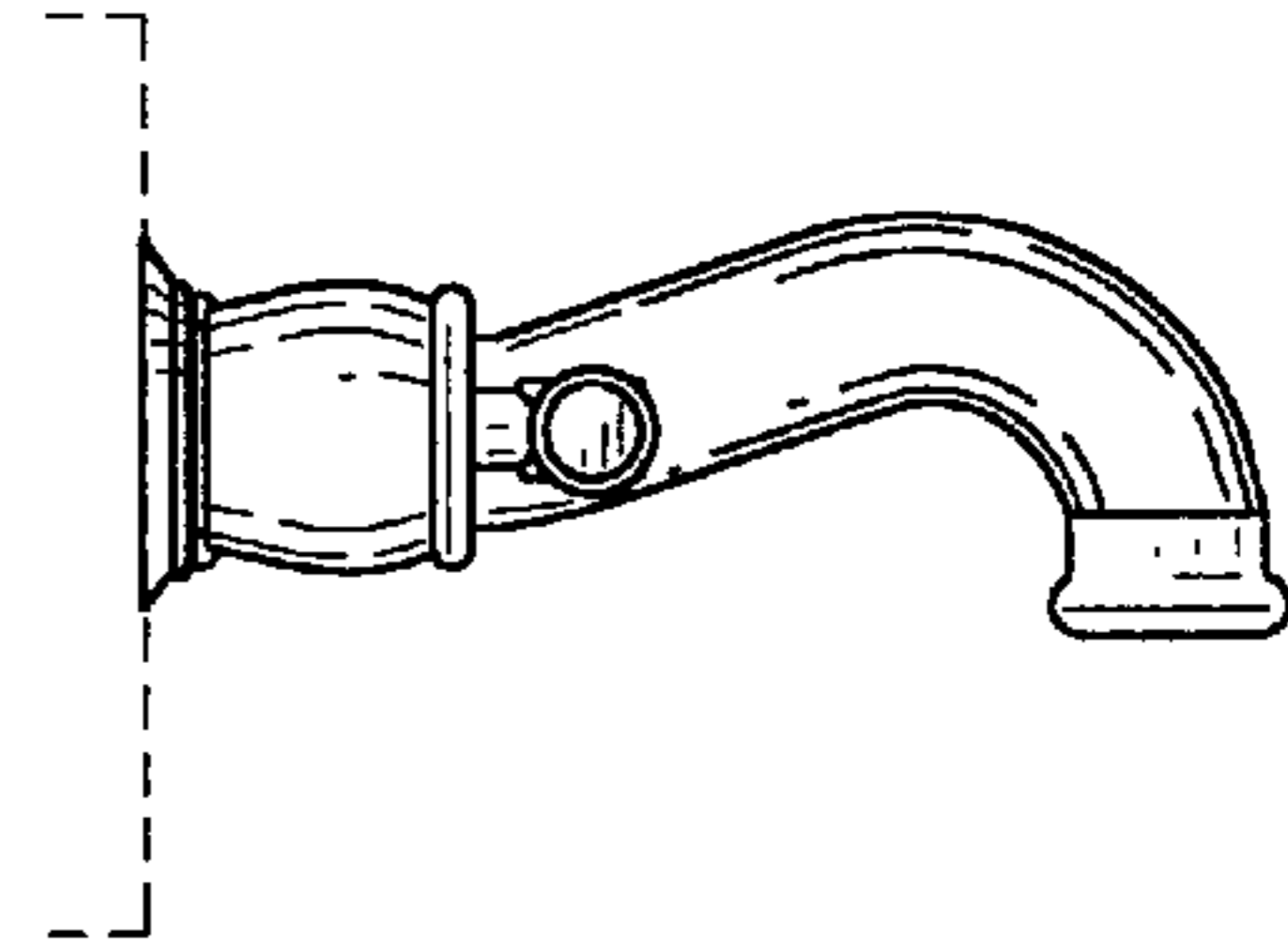
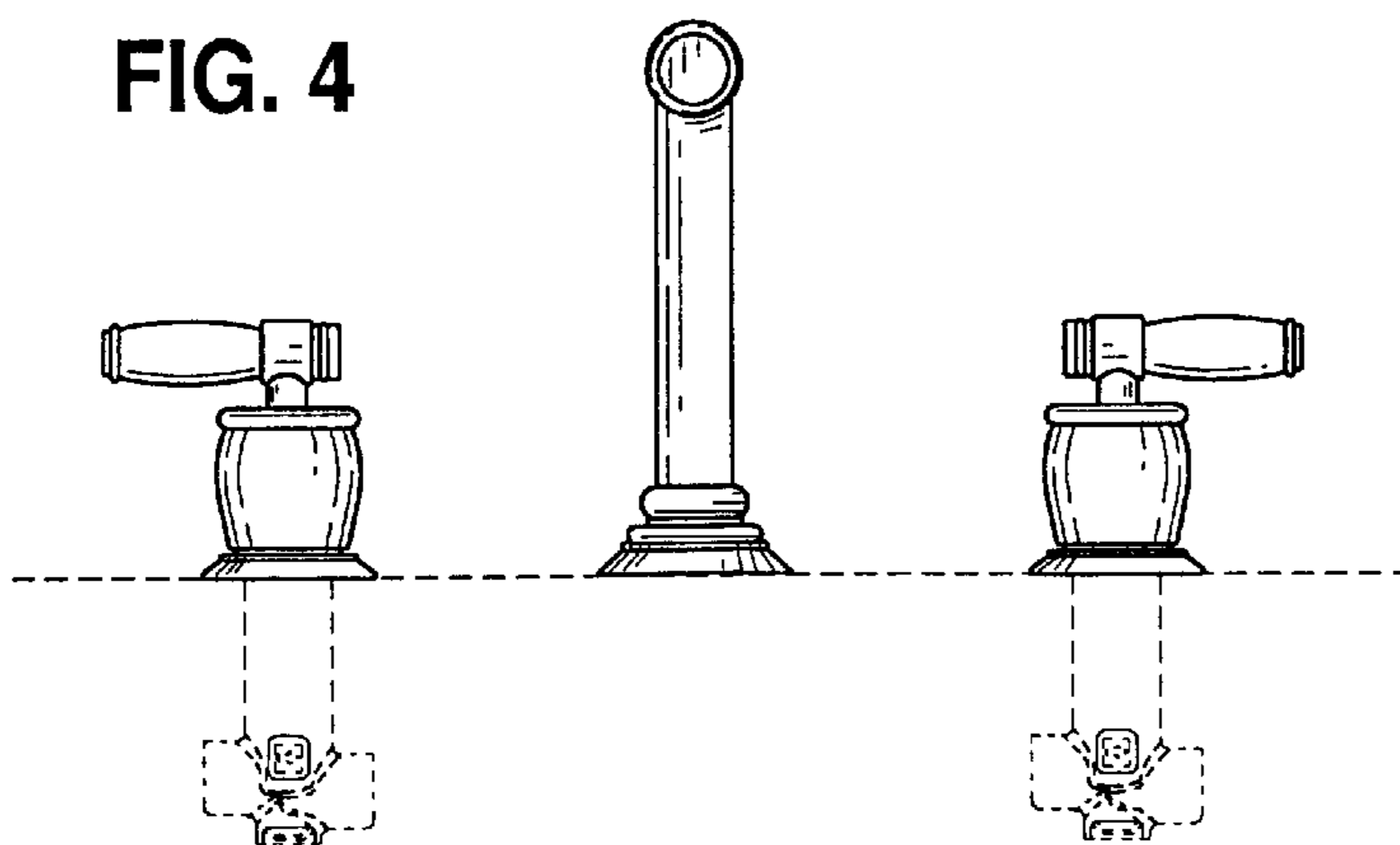


FIG. 4



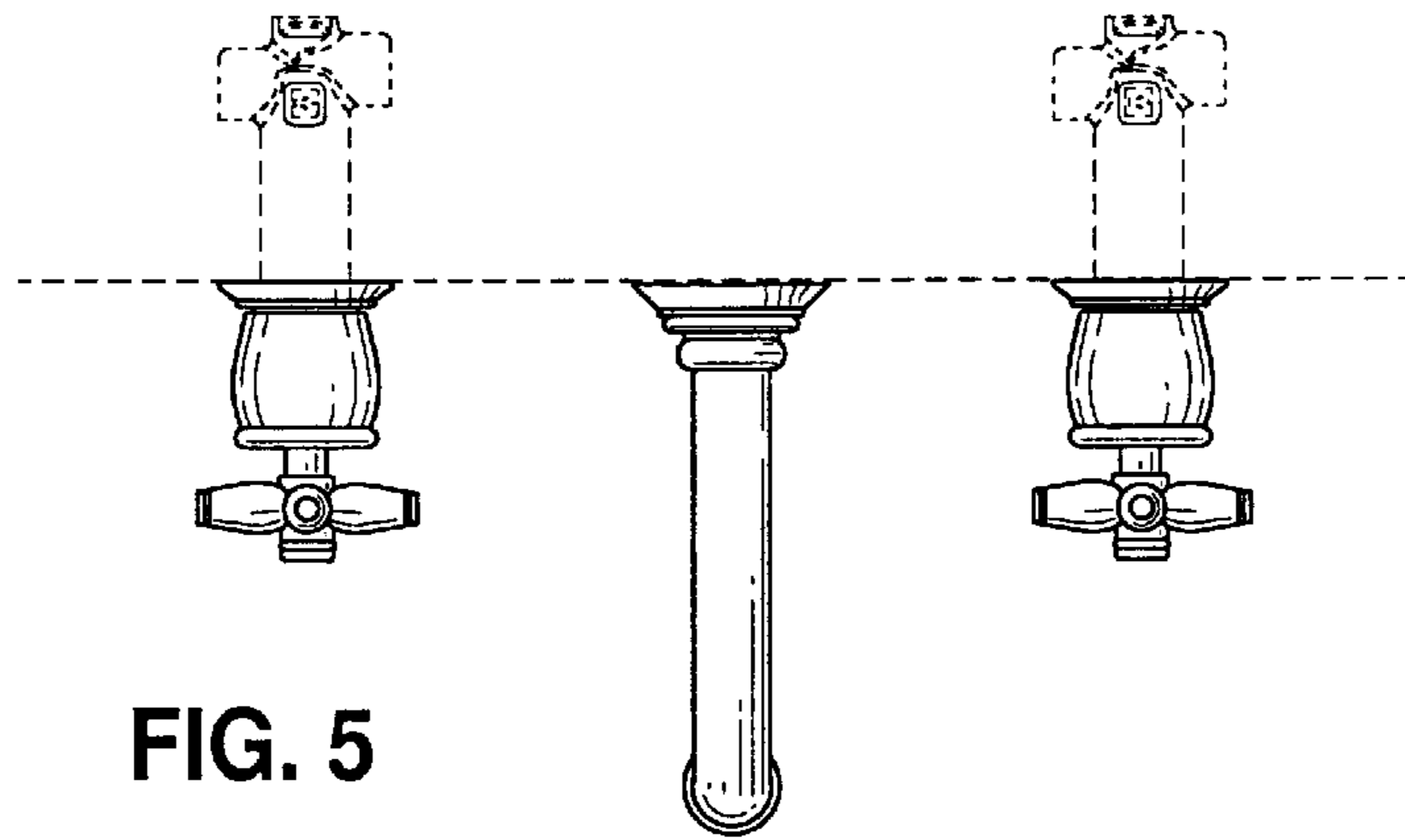


FIG. 6

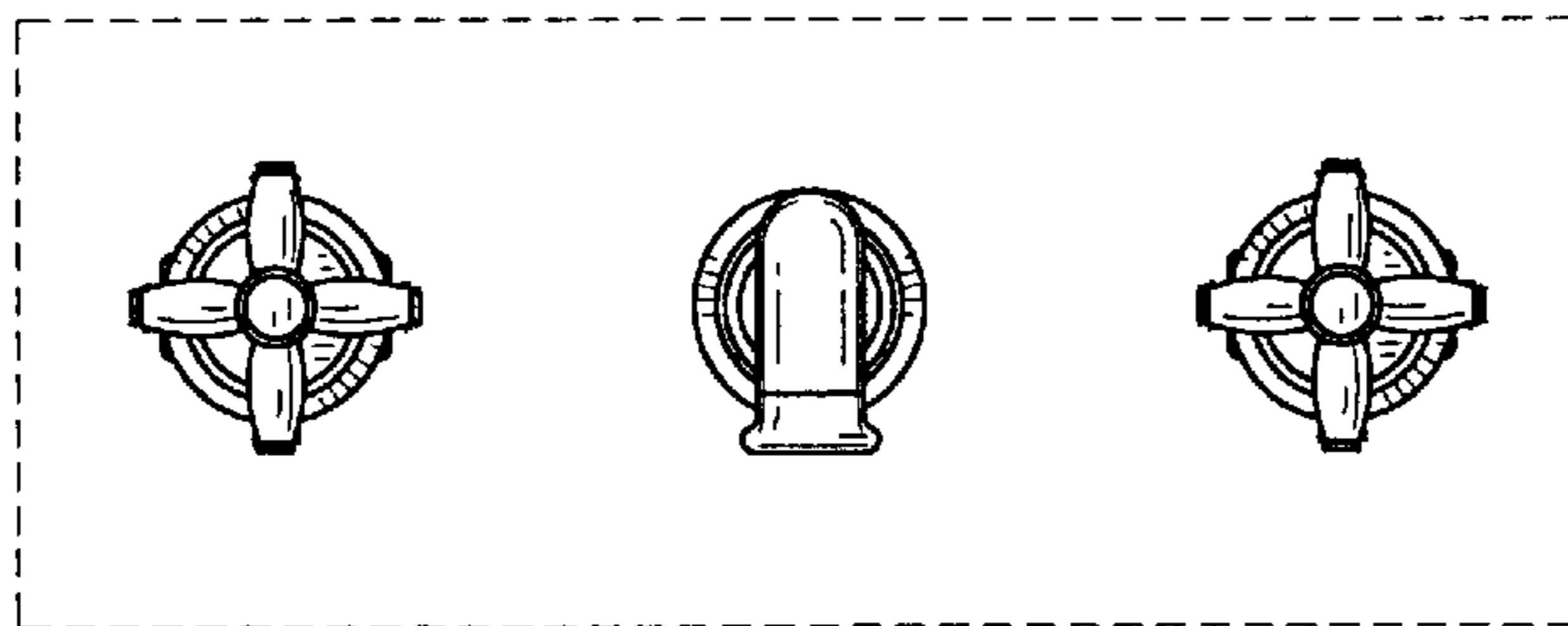


FIG. 7

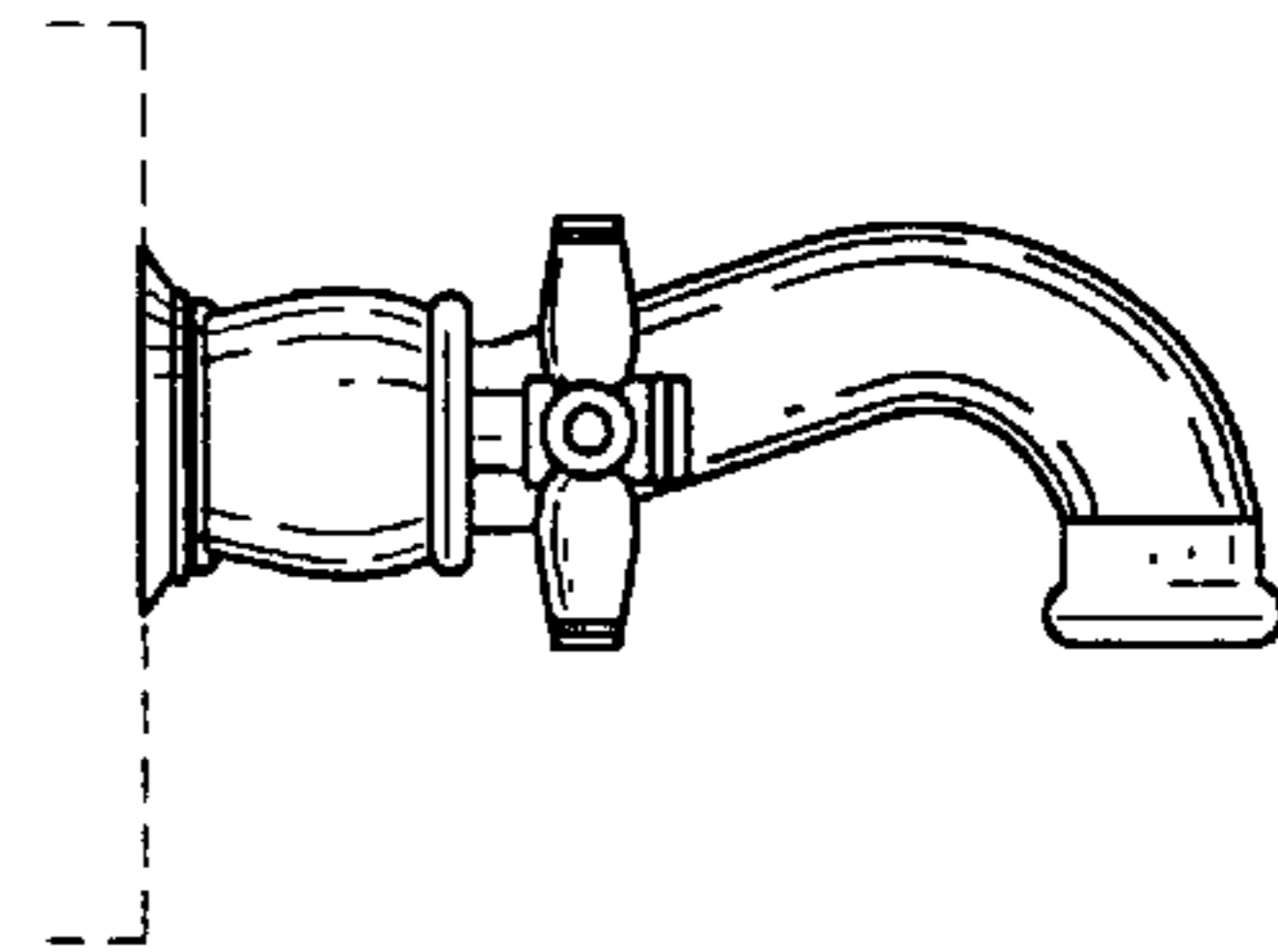


FIG. 8

