



US00D511562S

(12) **United States Design Patent**
Ouyoung

(10) **Patent No.:** **US D511,562 S**

(45) **Date of Patent:** **** Nov. 15, 2005**

(54) **FAUCET BODY**

D431,283 S * 9/2000 Chuanbao D23/241
D445,880 S * 7/2001 Wen D23/242
D490,143 S * 5/2004 Dretzka D23/241

(75) Inventor: **Scott Ouyoung**, Taichung (TW)

* cited by examiner

(73) Assignee: **Globe Union Industrial Corp.**,
Taichung (TW)

Primary Examiner—Louis S. Zarfes

Assistant Examiner—Gregory Andoll

(**) Term: **14 Years**

(74) *Attorney, Agent, or Firm*—Troxell Law Office, PLLC

(21) Appl. No.: **29/200,673**

(57) **CLAIM**

(22) Filed: **Mar. 4, 2004**

The ornamental design for faucet body, as shown and described.

(51) **LOC (8) Cl.** **23-01**

DESCRIPTION

(52) **U.S. Cl.** **D23/241; D23/242**

FIG. 1 is a top, left, front, perspective view of faucet body showing my new design;

(58) **Field of Search** **D23/238–257;**

4/675–678; 137/801

FIG. 2 is a front elevational view thereof;

FIG. 3 is a rear elevational view thereof;

FIG. 4 is a left elevational view thereof;

FIG. 5 is a right elevational view thereof; and,

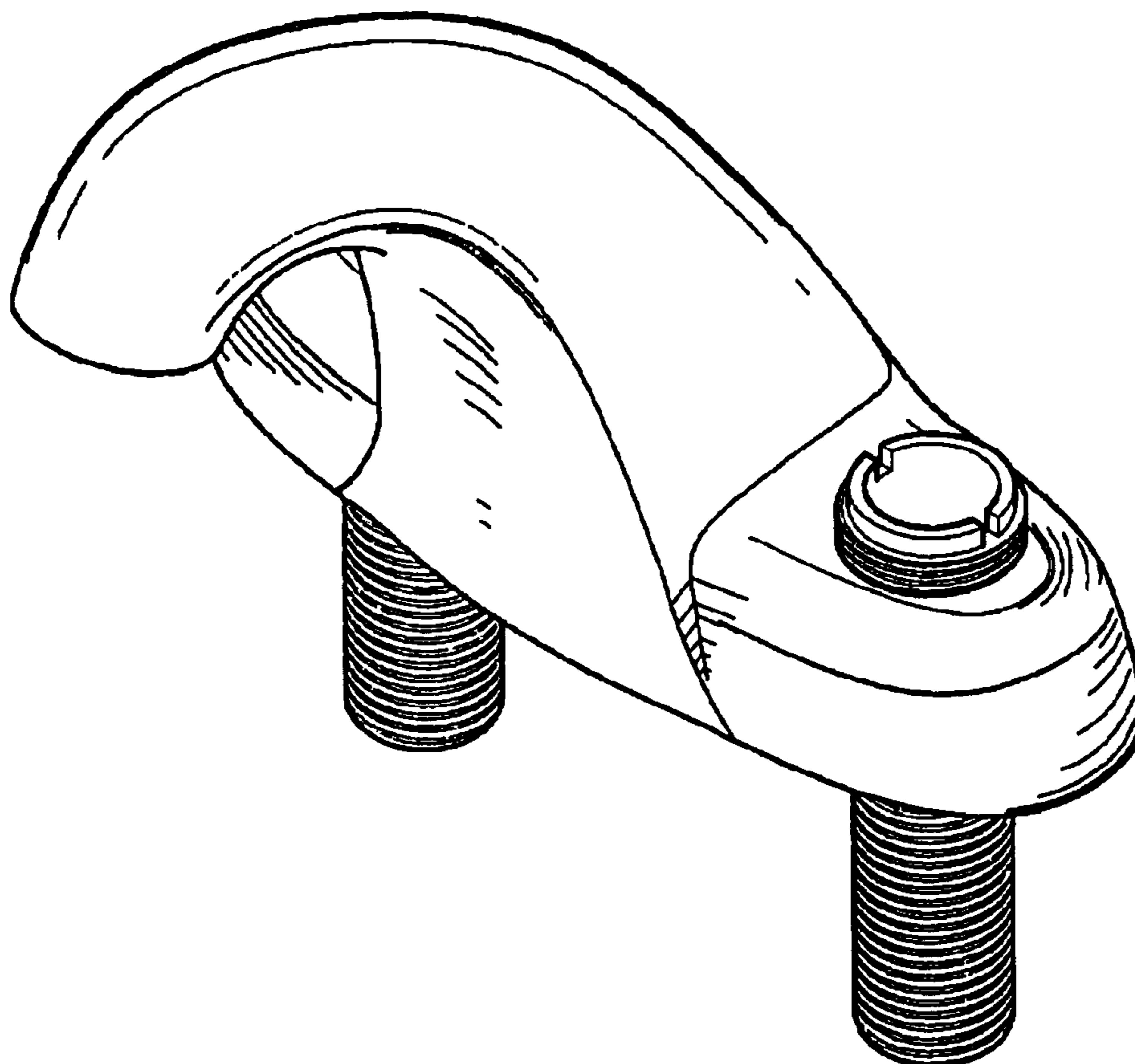
FIG. 6 is a top plan view thereof.

(56) **References Cited**

U.S. PATENT DOCUMENTS

D361,827 S * 8/1995 Doughty et al. D23/241
D397,424 S * 8/1998 Ficken et al. D23/241
D401,673 S * 11/1998 Steffes D23/241

1 Claim, 4 Drawing Sheets



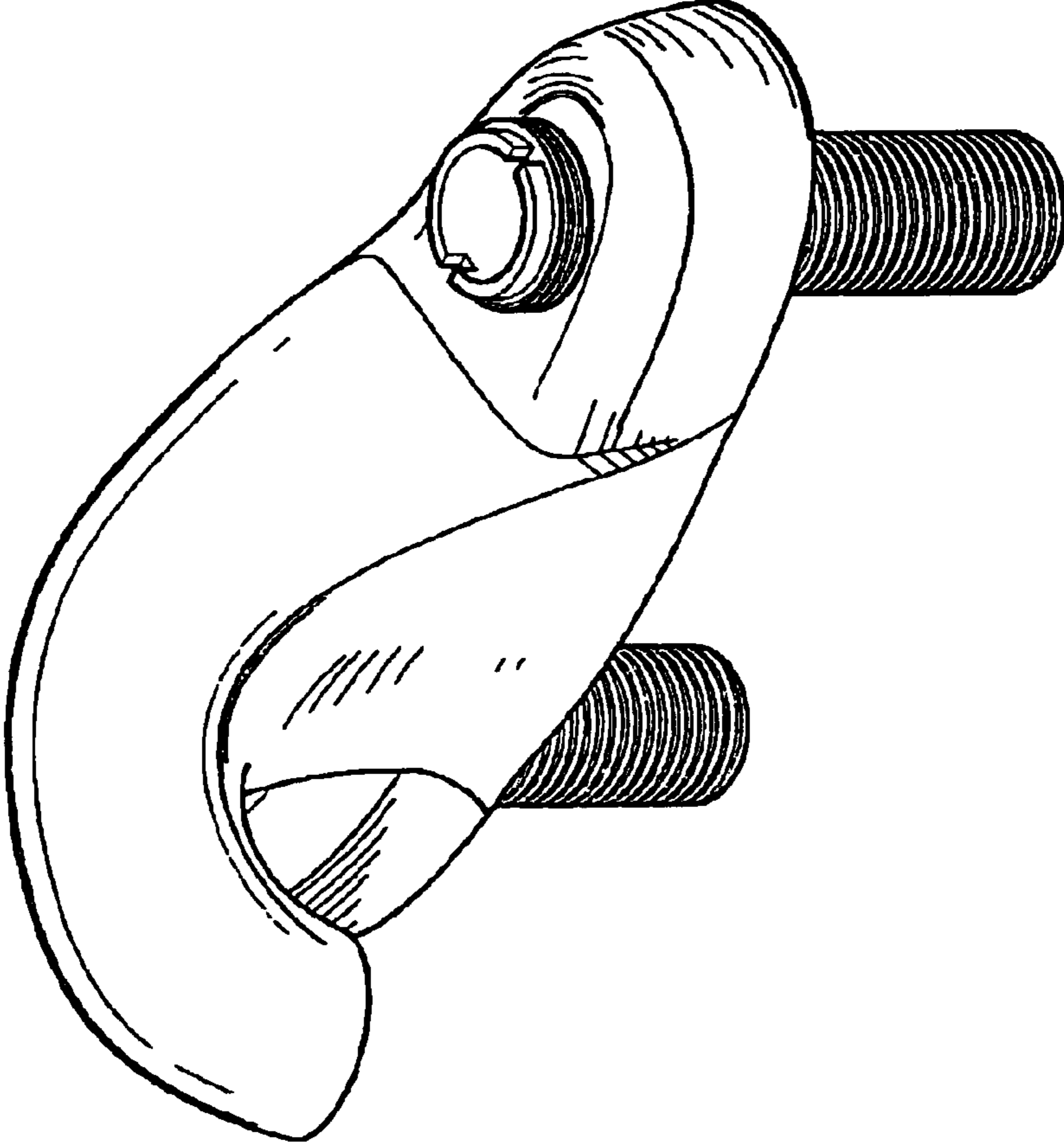


FIG. 1

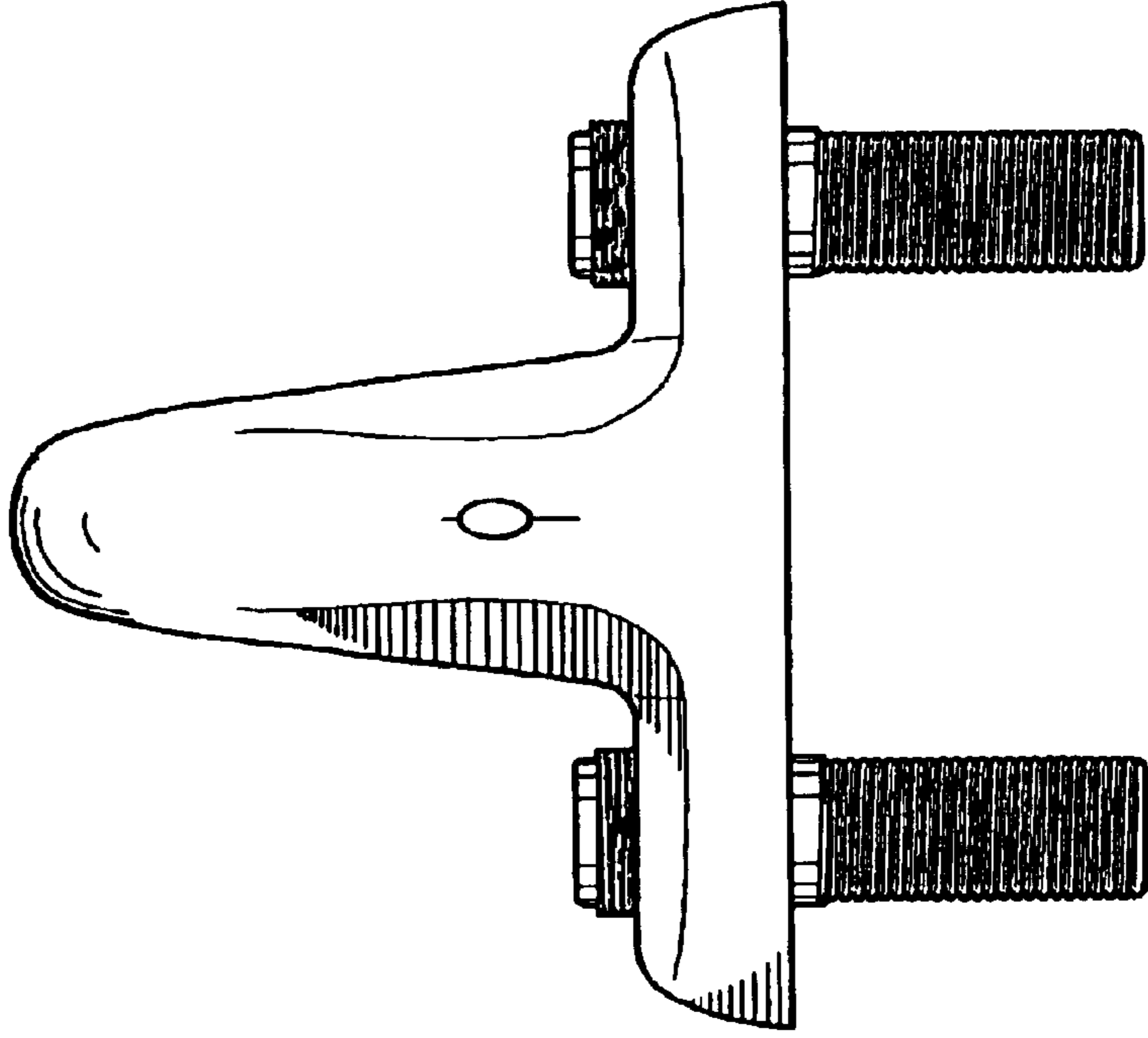


FIG. 3

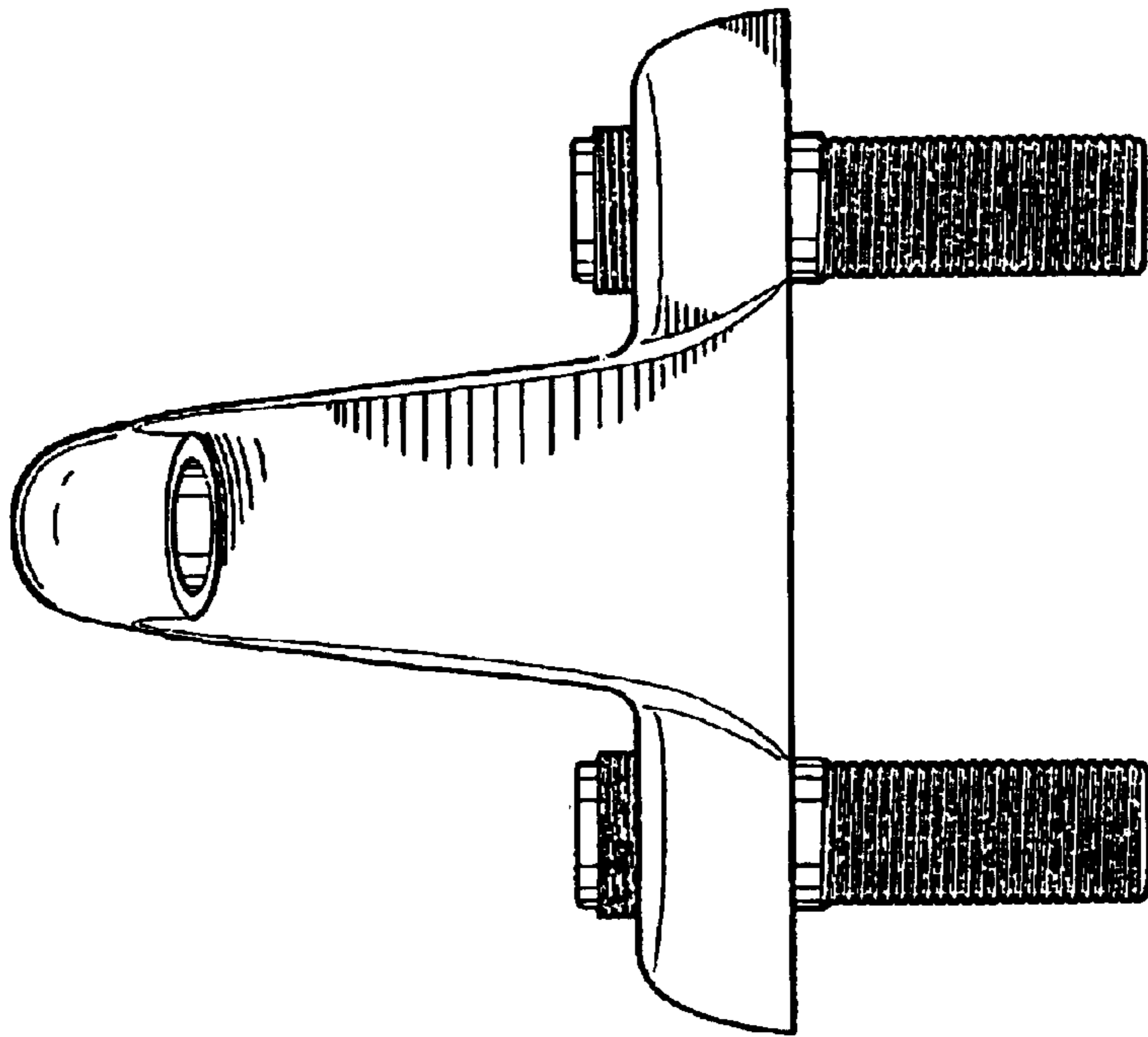


FIG. 2

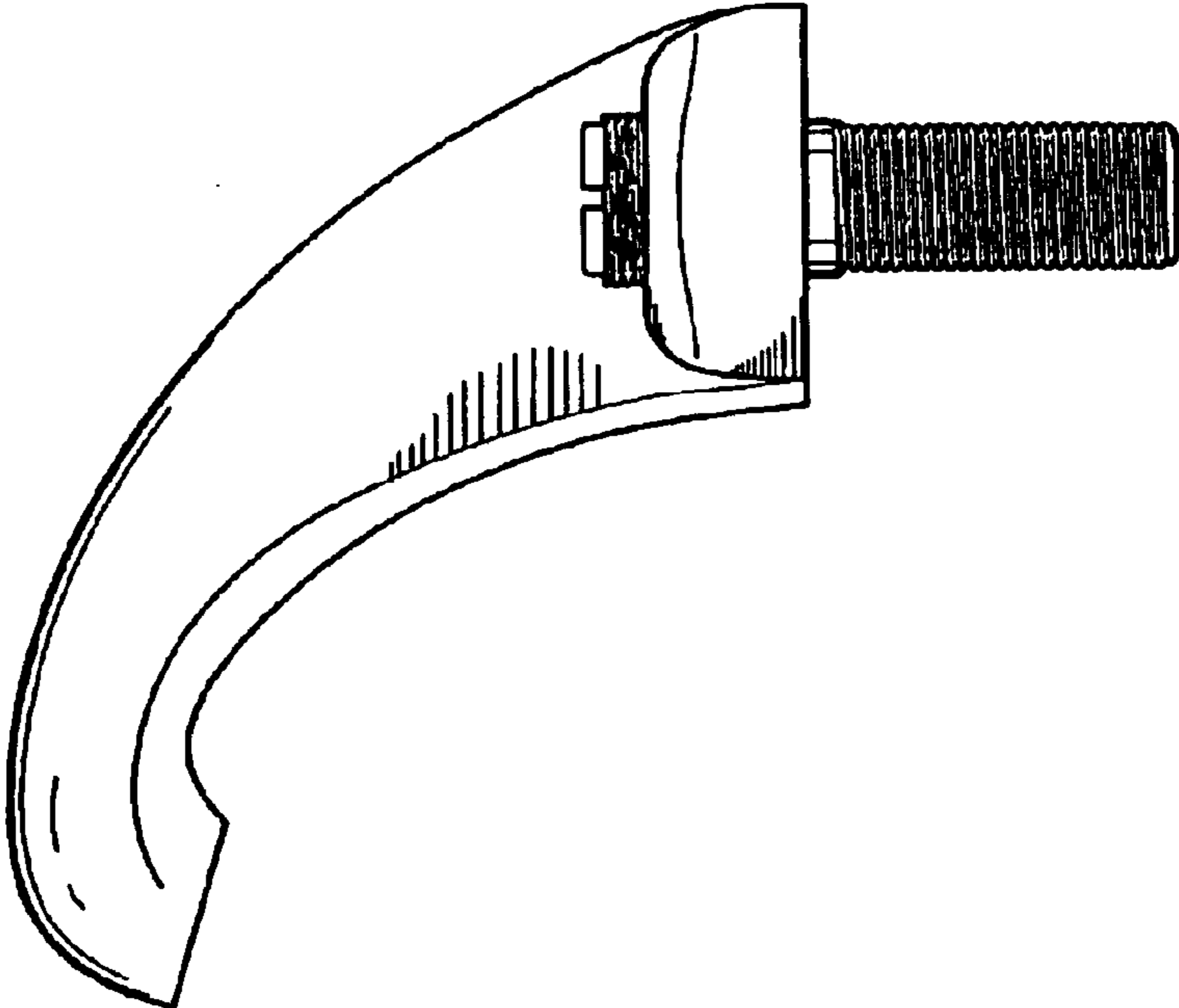


FIG. 5

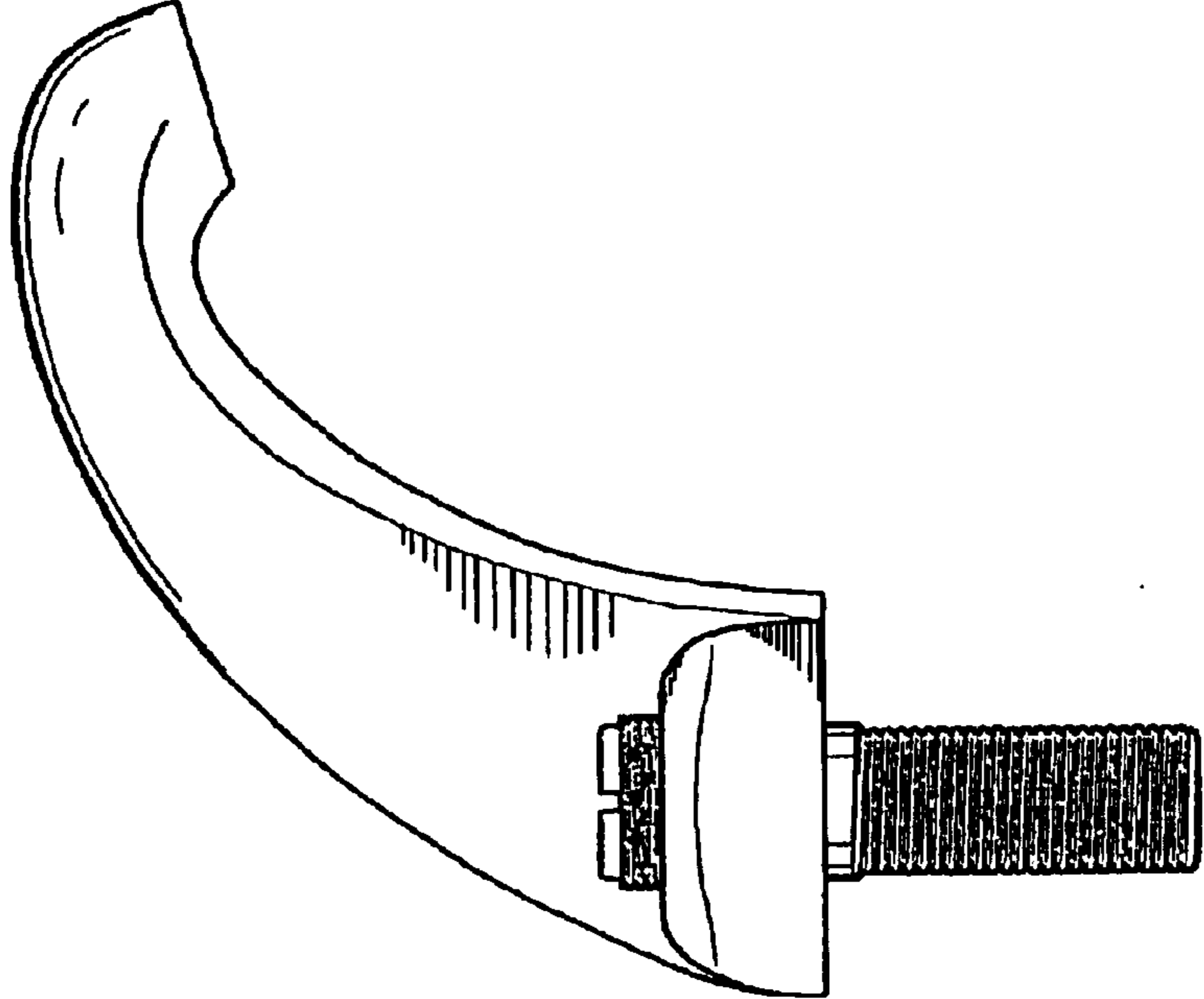


FIG. 4

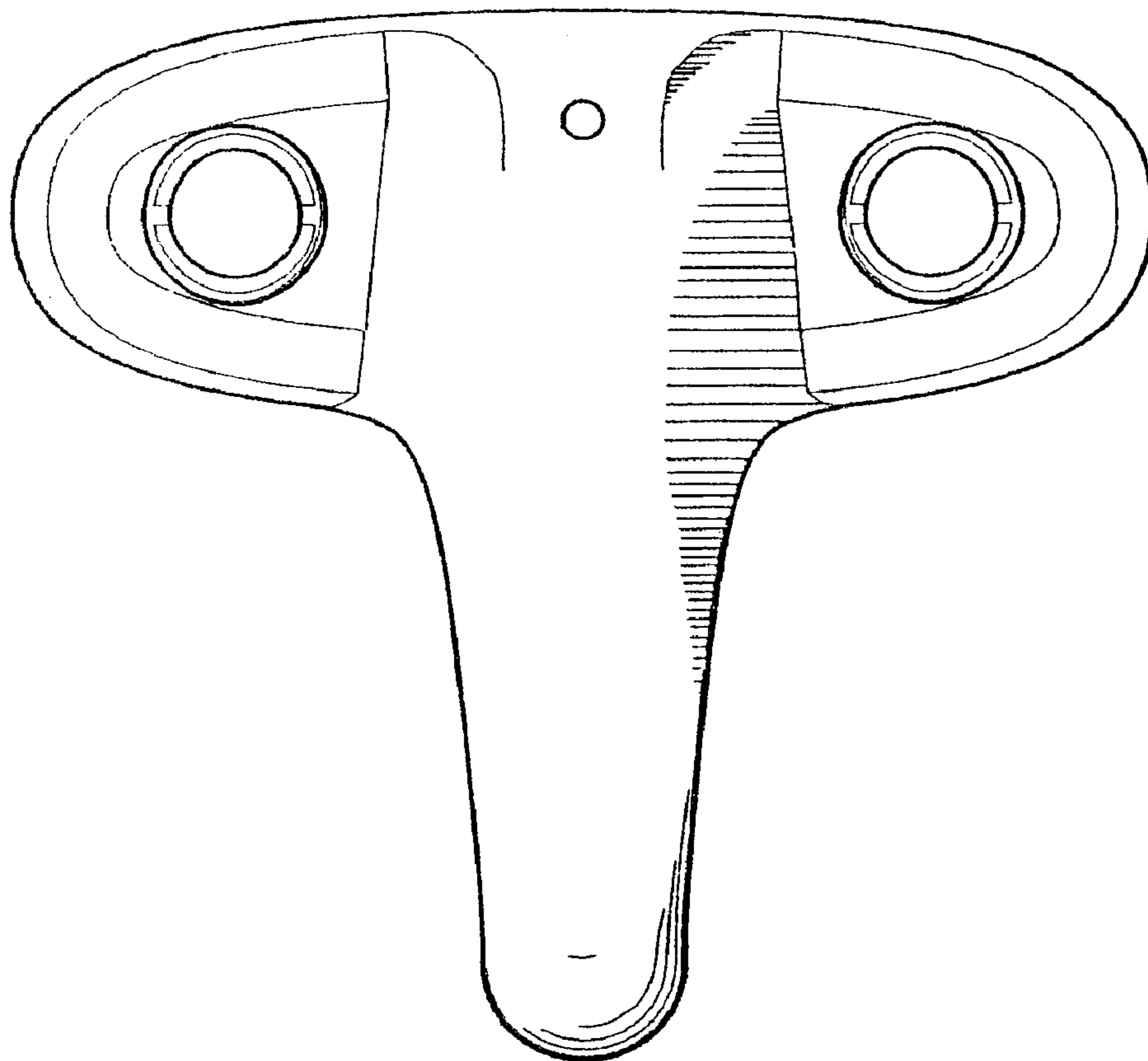


FIG. 6