



US00D511561S

(12) **United States Design Patent** (10) **Patent No.:** **US D511,561 S**
Kulig (45) **Date of Patent:** **** Nov. 15, 2005**

- (54) **FAUCET**
- (75) **Inventor:** **Zbigniew Kulig**, Milwaukee, WI (US)
- (73) **Assignee:** **Graff Faucets**, Milwaukee, WI (US)
- (**) **Term:** **14 Years**
- (21) **Appl. No.:** **29/200,372**
- (22) **Filed:** **Feb. 26, 2004**
- (51) **LOC (8) Cl.** **23-01**
- (52) **U.S. Cl.** **D23/238**
- (58) **Field of Search** **D23/238-257;**
4/675-678; 137/801

- Kulig, Zbigniew et al., U.S. Appl. No. 29/200,363, filed Feb. 26, 2004.*
- Kulig, Zbigniew et al., U.S. Appl. No. 29/200,364, filed Feb. 26, 2004.*
- Kulig, Zbigniew et al., U.S. Appl. No. 29/200,375, filed Feb. 26, 2004.*
- Kulig, Zbigniew et al., U.S. Appl. No. 29/200,361, filed Feb. 26, 2004.*
- Kulig, Zbigniew et al., U.S. Appl. No. 29/200,369, filed Feb. 26, 2004.*
- Kulig, Zbigniew et al., U.S. Appl. No. 29/200,368, filed Feb. 26, 2004.*
- Kulig, Zbigniew, U.S. Appl. No. 29/200,371, filed Feb. 26, 2004.*

(Continued)

(56) **References Cited**

U.S. PATENT DOCUMENTS

D349,326 S	8/1994	Bollenbacher	D23/238
D439,635 S	* 3/2001	Robbins	D23/239
D473,929 S	4/2003	Warshawsky et al.	D23/238
D478,149 S	* 8/2003	Friedrich	D23/238
D478,150 S	* 8/2003	Friedrich	D23/238
D489,795 S	* 5/2004	Kulig et al.	D23/238
D493,510 S	* 7/2004	Shahar	D23/238

OTHER PUBLICATIONS

- Kulig, Zbigniew, U.S. Appl. No. 29/200,362, filed Feb. 26, 2004.*
- Kulig, Zbigniew, U.S. Appl. No. 29/210,960, filed Aug. 9, 2004.*
- Kulig, Zbigniew, U.S. Appl. No. 29/200,374, filed Feb. 26, 2004.*
- Kulig, Zbigniew, U.S. Appl. No. 29/200,370, filed Feb. 26, 2004.*
- Kulig, Zbigniew et al., U.S. Appl. No. 29/200,367, filed Feb. 26, 2004.*

Primary Examiner—Louis S. Zarfaz
Assistant Examiner—Gregory Andoll
 (74) *Attorney, Agent, or Firm*—Boyle Fredrickson Newholm Stein & Gratz S.C.

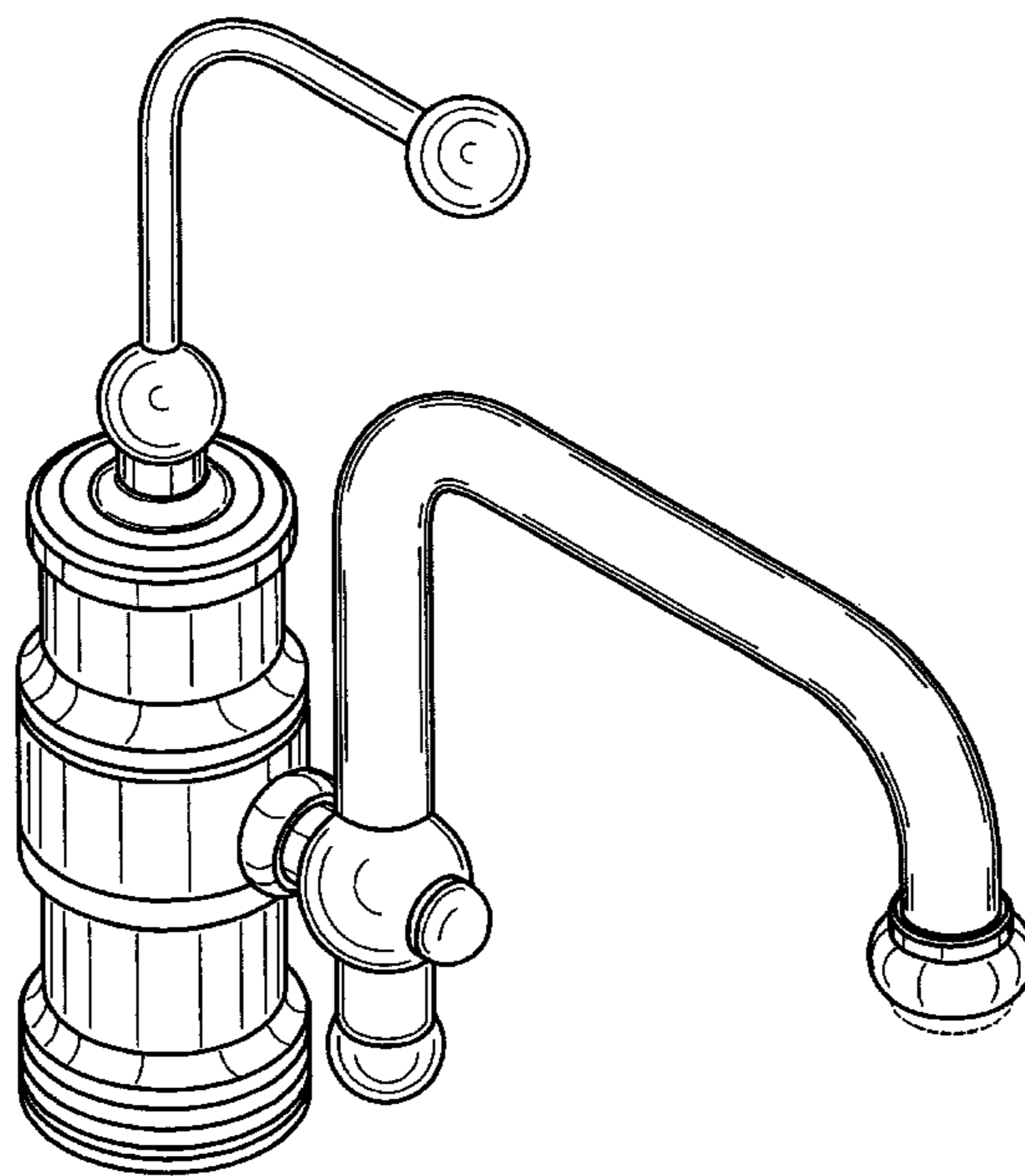
(57) **CLAIM**

The ornamental design for a faucet, as shown and described.

DESCRIPTION

FIG. 1 is perspective view of a faucet incorporating my new design, viewed from in front of, above, and from the left side of the faucet;
 FIG. 2 is a front elevation view thereof;
 FIG. 3 is a rear elevation view thereof;
 FIG. 4 is a top plan view thereof;
 FIG. 5 is a bottom plan view thereof; and,
 FIG. 6 is a right-side elevation view thereof, with the left side being a mirror image of the right side.
 The broken lines in FIG. 5 are for illustrative purposes only and form no part of the claimed design.

1 Claim, 6 Drawing Sheets



OTHER PUBLICATIONS

Kulig, Zbigniew, U.S. Appl. No. 29/200,366, filed Feb. 26, 2004.*

Kulig, Zbigniew et al., U.S. Appl. No. 29/200,373, filed Feb. 26, 2004.*

Kulig, Zbigniew, U.S. Appl. No. 29/200,365, filed Feb. 26, 2004.*

Kulig, Zbigniew, U.S. Appl. No. 29/200,423, filed Feb. 26, 2004.*

Kulig, Zbigniew et al., U.S. Appl. No. 29/203,608, filed Apr. 16, 2004.*

Kulig, Zbigniew et al., U.S. Appl. No. 29/203,606, filed Apr. 16, 2004.*

Kulig, Zbigniew, U.S. Appl. No. 29/206,908, filed Jun. 4, 2004.*

Kulig, Zbigniew, U.S. Appl. No. 29/211,662, filed Aug. 19, 2004.*

Kulig, Zbigniew, U.S. Appl. No. 29/220,253, filed Dec. 28, 2004.*

Kulig, Zbigniew, U.S. Appl. No. 29/220,262, filed Dec. 28, 2004.*

Kulig, Zbigniew, U.S. Appl. No. 29/220,263, filed Dec. 28, 2004.*

Kulig, Zbigniew, U.S. Appl. No. 29/220,235, filed Dec. 28, 2004.*

Kulig, Zbigniew, U.S. Appl. No. 29/220,197, filed Dec. 28, 2004.*

Kulig, Zbigniew, U.S. Appl. No. 29/220,238, filed Dec. 28, 2004.*

Kulig, Zbigniew, U.S. Appl. No. 29/220,248, filed Dec. 28, 2004.*

Kulig, Zbigniew, U.S. Appl. No. 29/220,239, filed Dec. 28, 2004.*

* cited by examiner

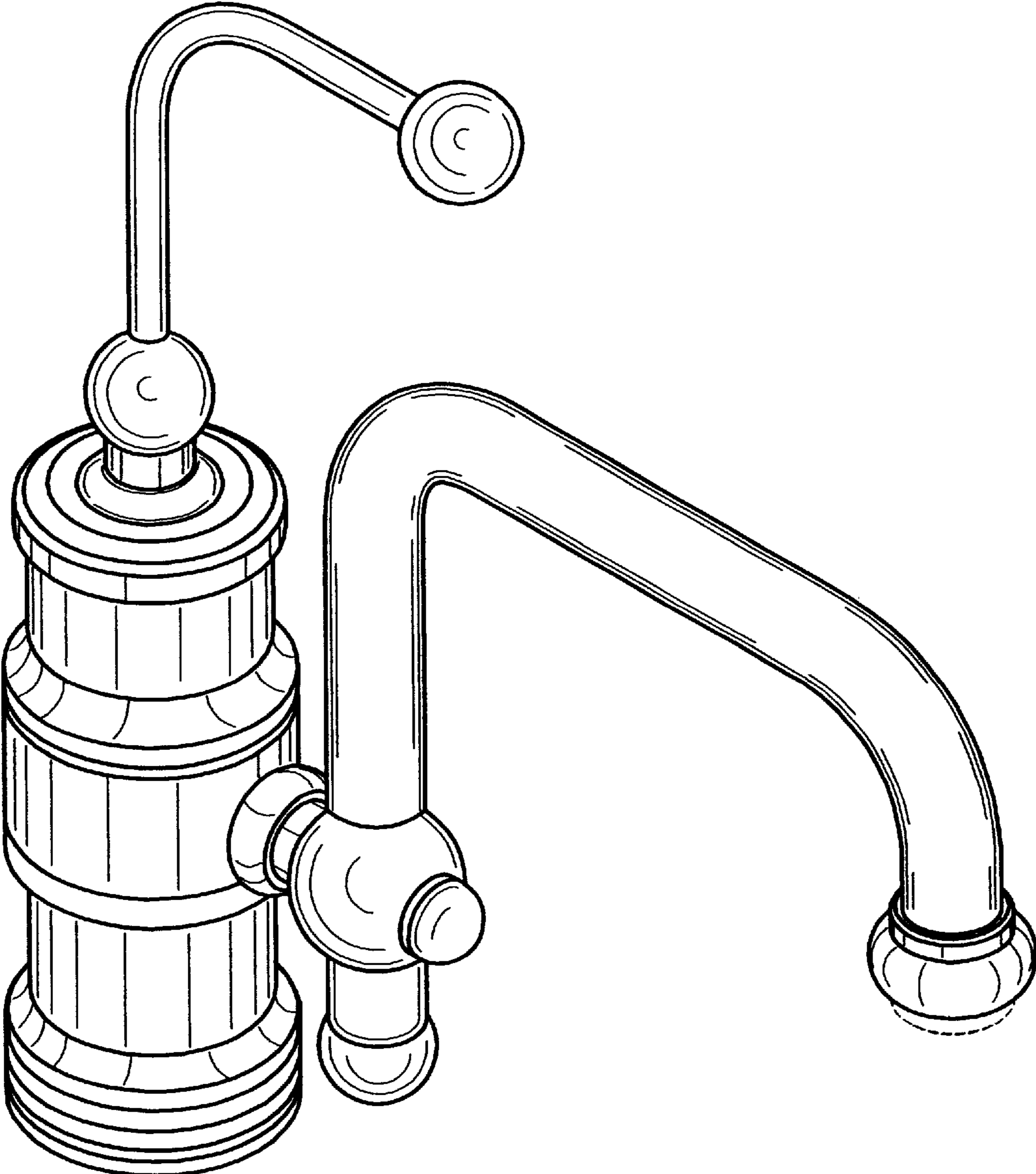


FIG. 1

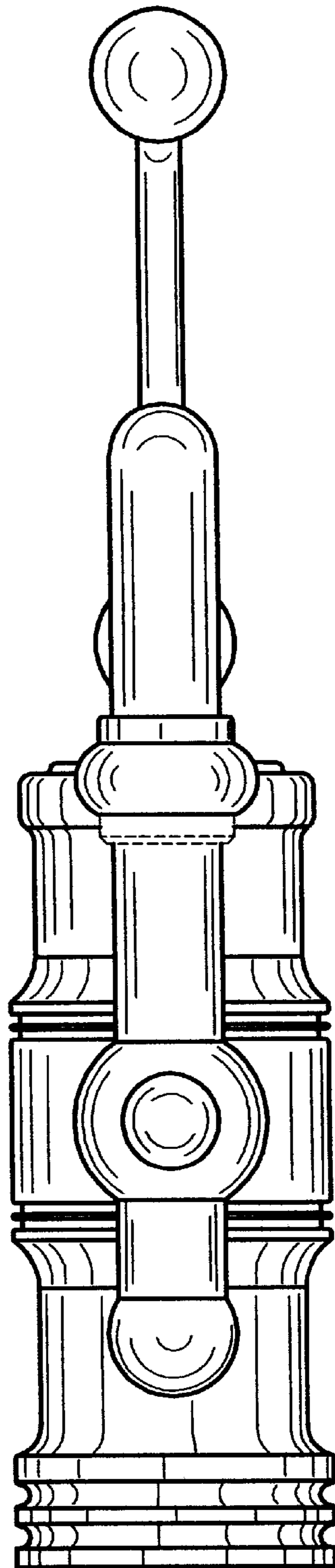


FIG. 2

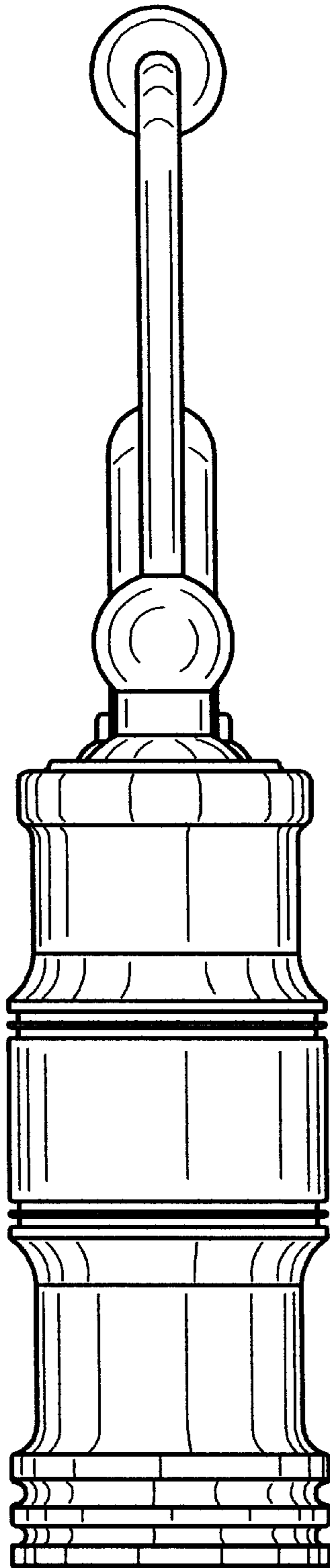


FIG. 3

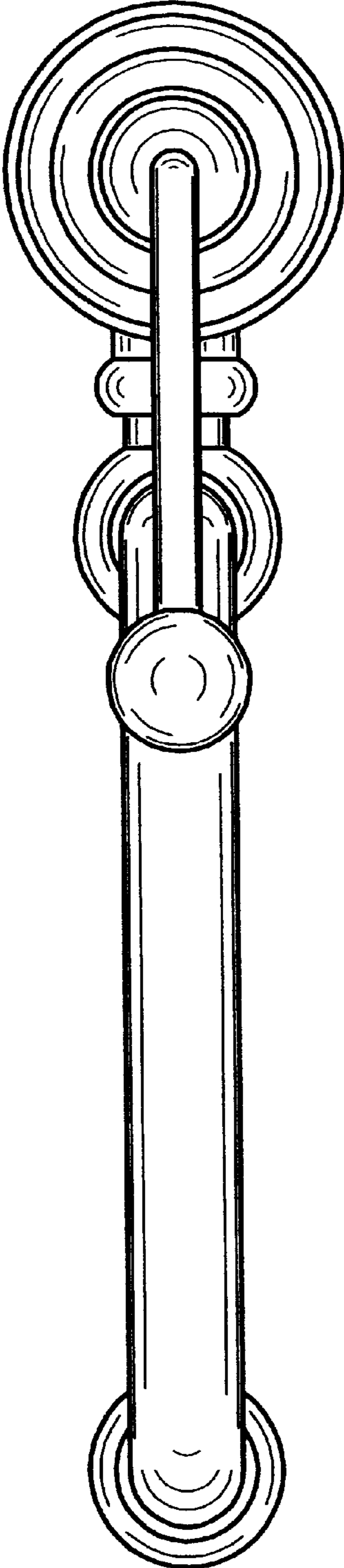


FIG. 4

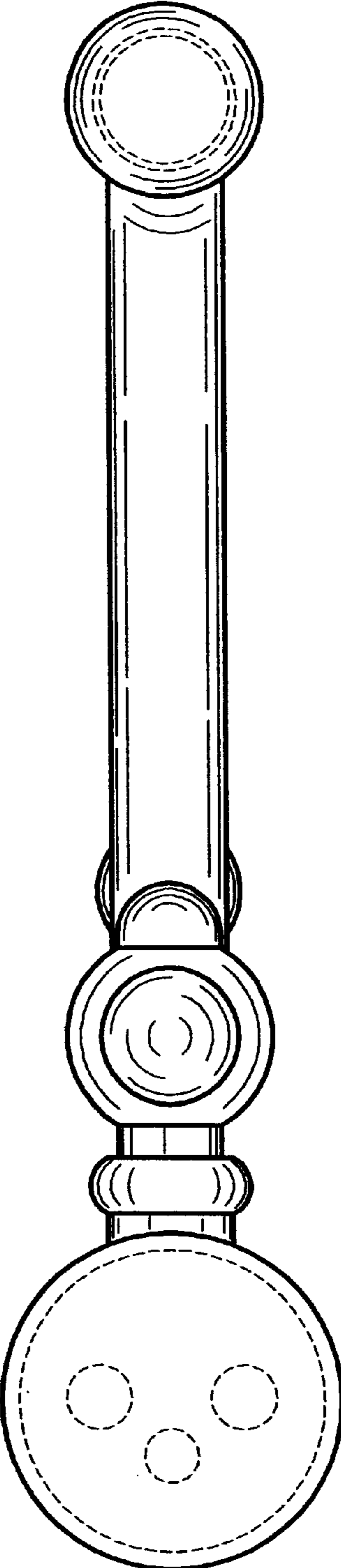


FIG. 5

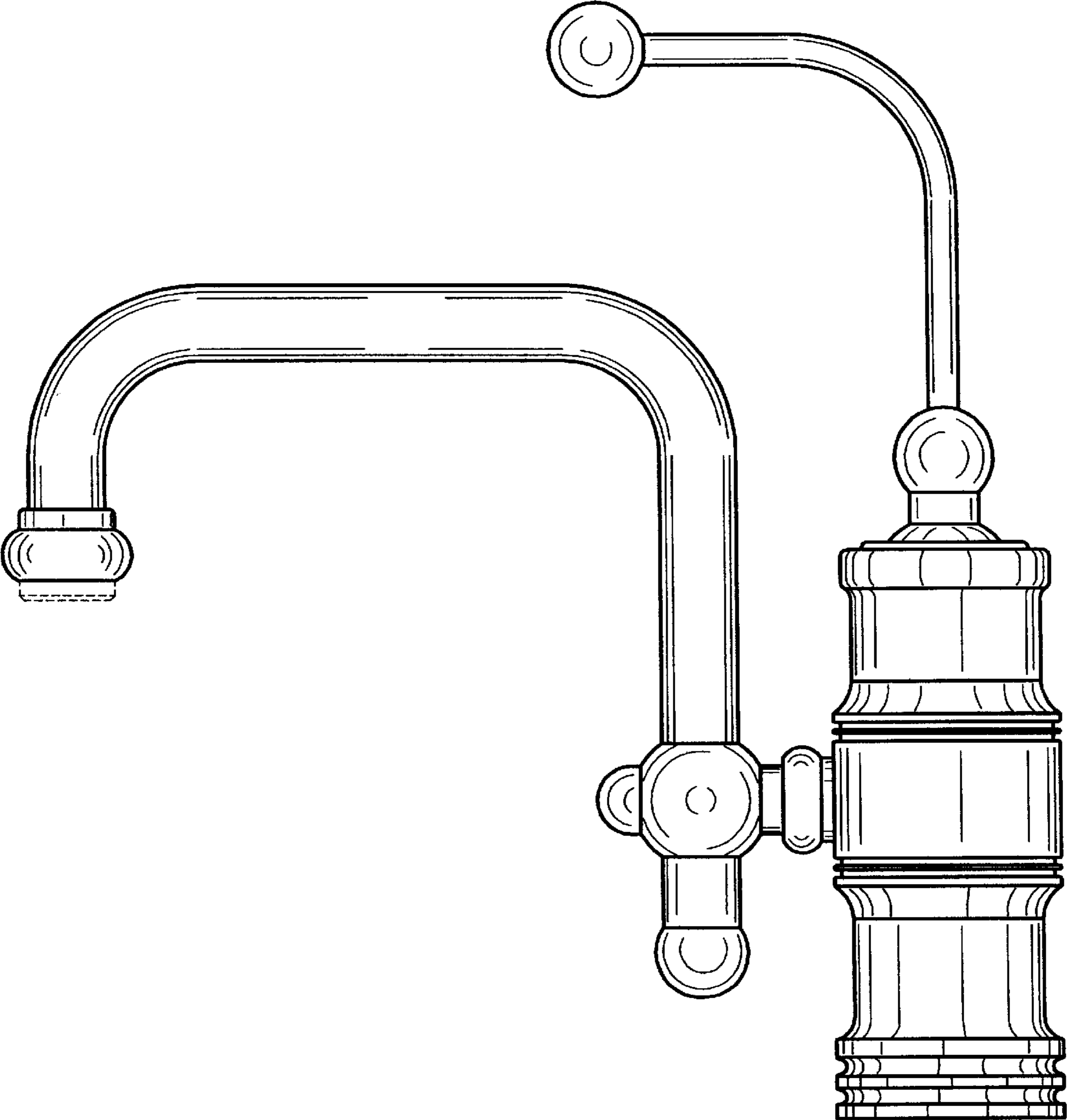


FIG. 6