



US00D511559S

(12) **United States Design Patent**
Lillback

(10) **Patent No.: US D511,559 S**

(45) **Date of Patent: ** Nov. 15, 2005**

(54) **HOUSING FOR A WATER TREATMENT SYSTEM CONTROL VALVE**

(75) **Inventor: Raymond Lillback, Streetsboro, OH (US)**

(73) **Assignee: Kinetico Incorporated, Newbury, OH (US)**

(**) **Term: 14 Years**

(21) **Appl. No.: 29/208,589**

(22) **Filed: Jun. 30, 2004**

Related U.S. Application Data

(62) Division of application No. 29/168,470, filed on Oct. 2, 2002, now Pat. No. Des. 495,030.

(51) **LOC (8) Cl. 23-01**

(52) **U.S. Cl. D23/233**

(58) **Field of Search D23/233-249;**
137/624.14, 624.18; 210/98, 141, 190, 541;
251/59; 415/150

(56) **References Cited**

U.S. PATENT DOCUMENTS

- 3,208,476 A * 9/1965 Clack 137/599.15
- 3,269,410 A * 8/1966 Alvarado et al. 137/882
- 3,891,552 A 6/1975 Prior et al.
- 4,298,025 A 11/1981 Prior et al.
- 4,337,153 A 6/1982 Prior
- 4,427,549 A * 1/1984 Brown et al. 210/662

- 5,022,994 A 6/1991 Avery et al.
- 5,135,168 A * 8/1992 Wang 239/70
- 5,490,932 A 2/1996 Hansen et al.
- 5,628,899 A * 5/1997 Vaughan 210/142
- 6,189,556 B1 * 2/2001 Blake et al. 137/119.07
- 6,214,214 B1 * 4/2001 Hansen et al. 210/106

* cited by examiner

Primary Examiner—Nelson C. Holtje

(74) *Attorney, Agent, or Firm*—Watts Hoffmann Co., LPA

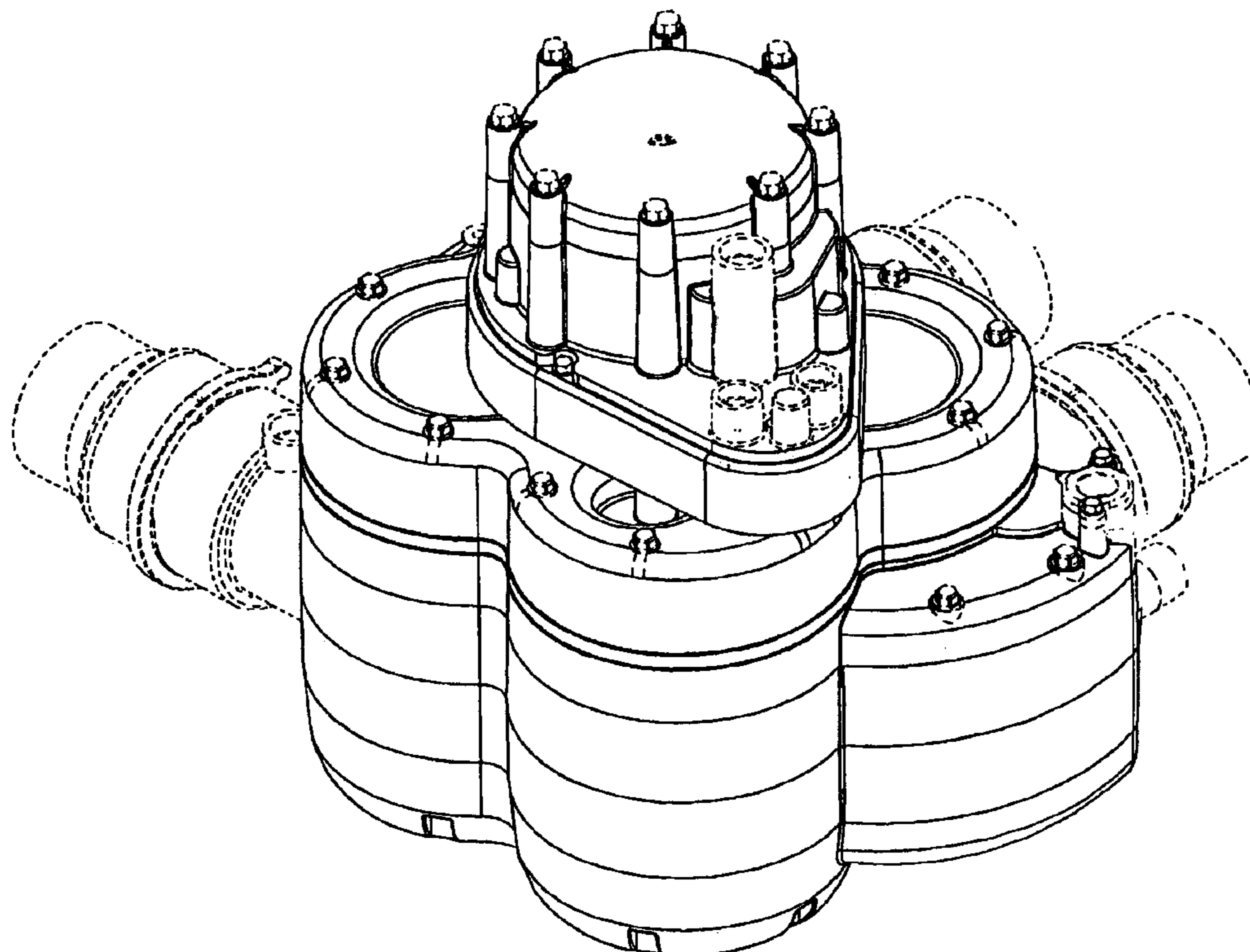
(57) **CLAIM**

I claim the ornamental design for a housing for a water treatment system control valve, as shown and described.

DESCRIPTION

FIG. 1 is a front perspective view of a housing for a water treatment system control valve of the present invention (the broken lines in FIGS. 1-7 are for illustrative purposes only and do not form part of the invention shown in FIGS. 1-7); FIG. 2 is a top plan view of the housing shown in FIG. 1; FIG. 3 is a bottom view of the housing shown in FIG. 1; FIG. 4 is a side elevational view of the housing as seen from the plane indicated by the line 4-4 in FIG. 2; FIG. 5 is a side elevational view as seen from the plane indicated by the line 5-5 in FIG. 2; FIG. 6 is a side elevational view of the housing as seen from the plane indicated by the line 6-6 in FIG. 2; and, FIG. 7 is a front elevational view of the housing as seen from the plane indicated by the line 7-7 in FIG. 2.

1 Claim, 7 Drawing Sheets



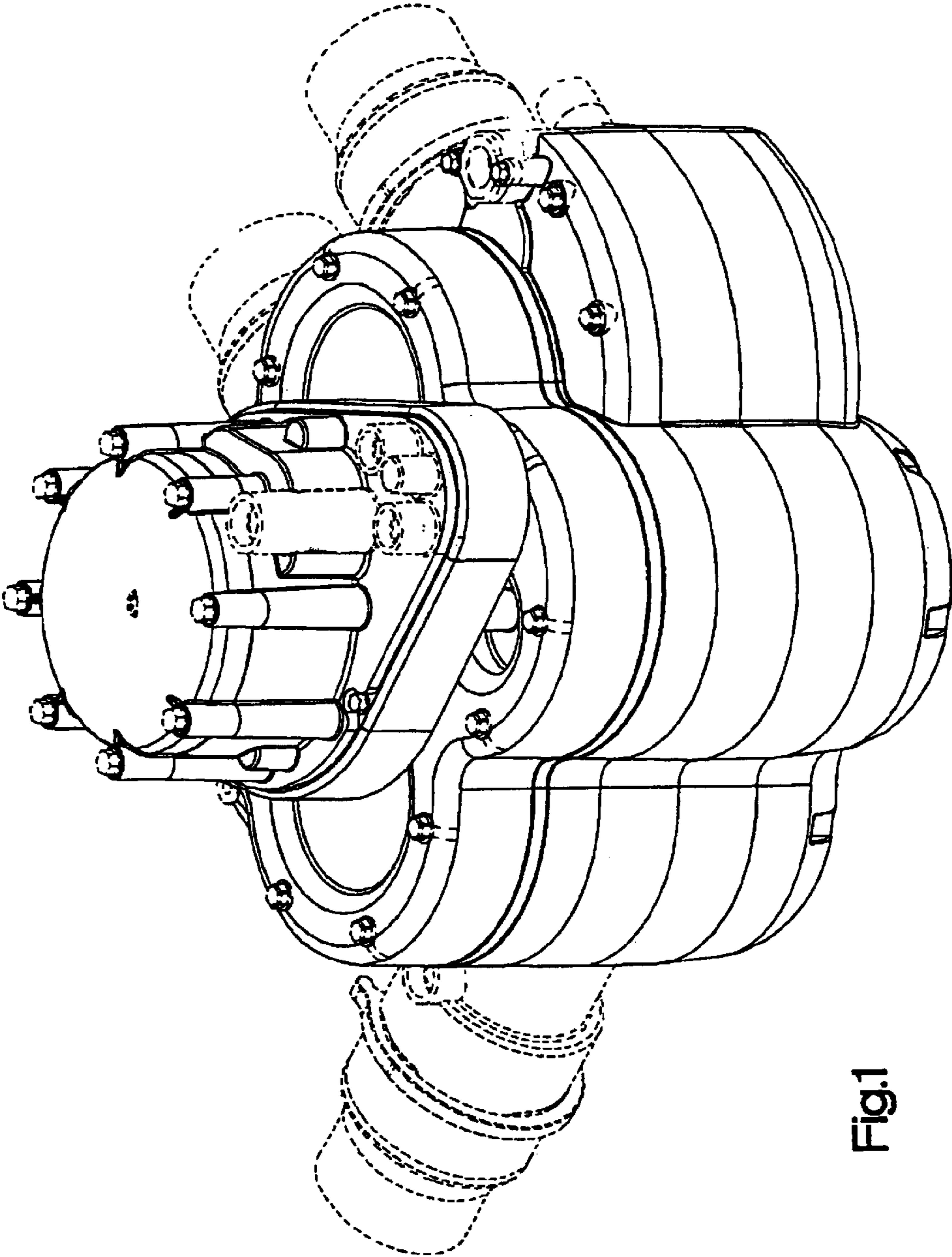


Fig.1

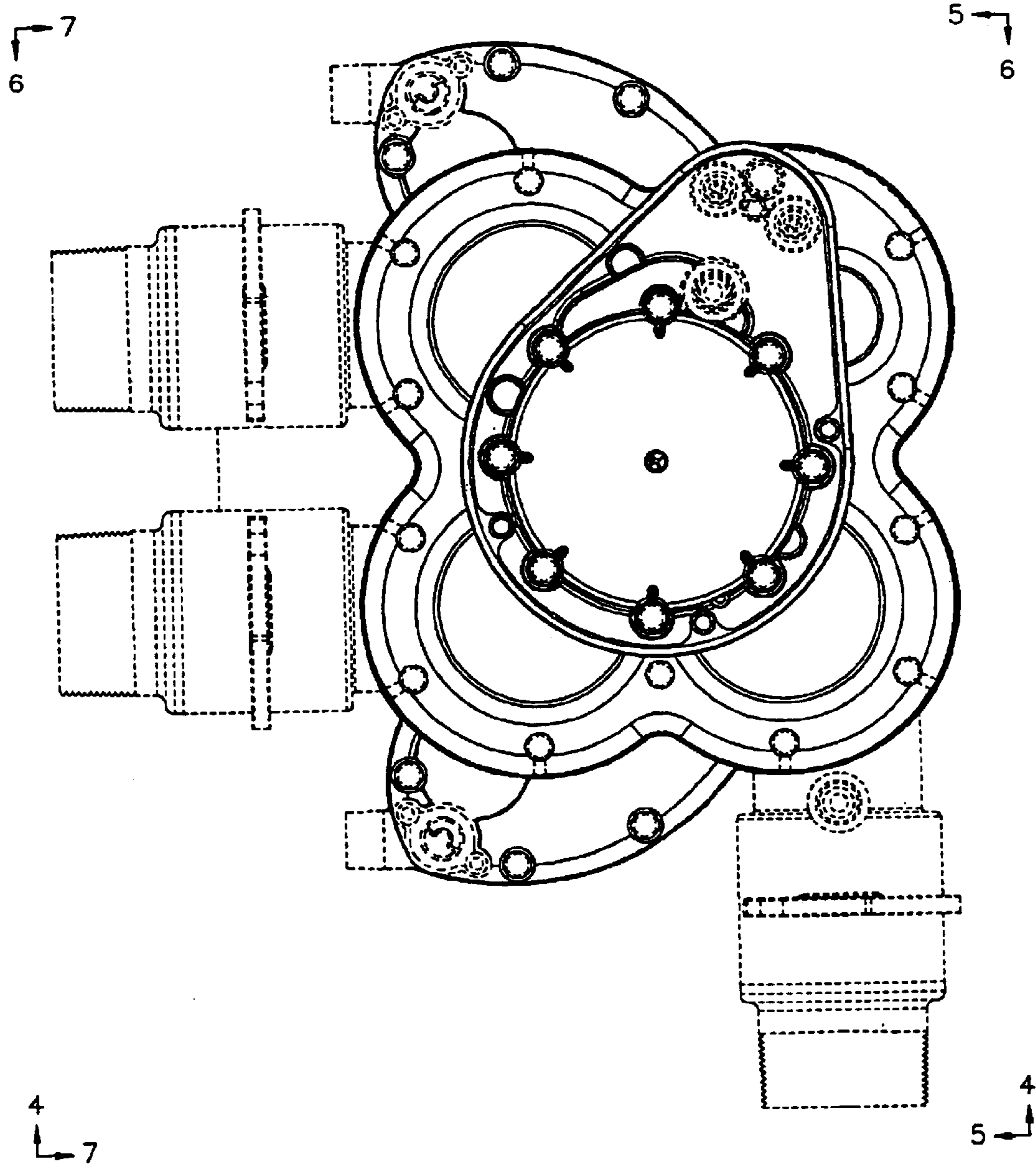


Fig.2

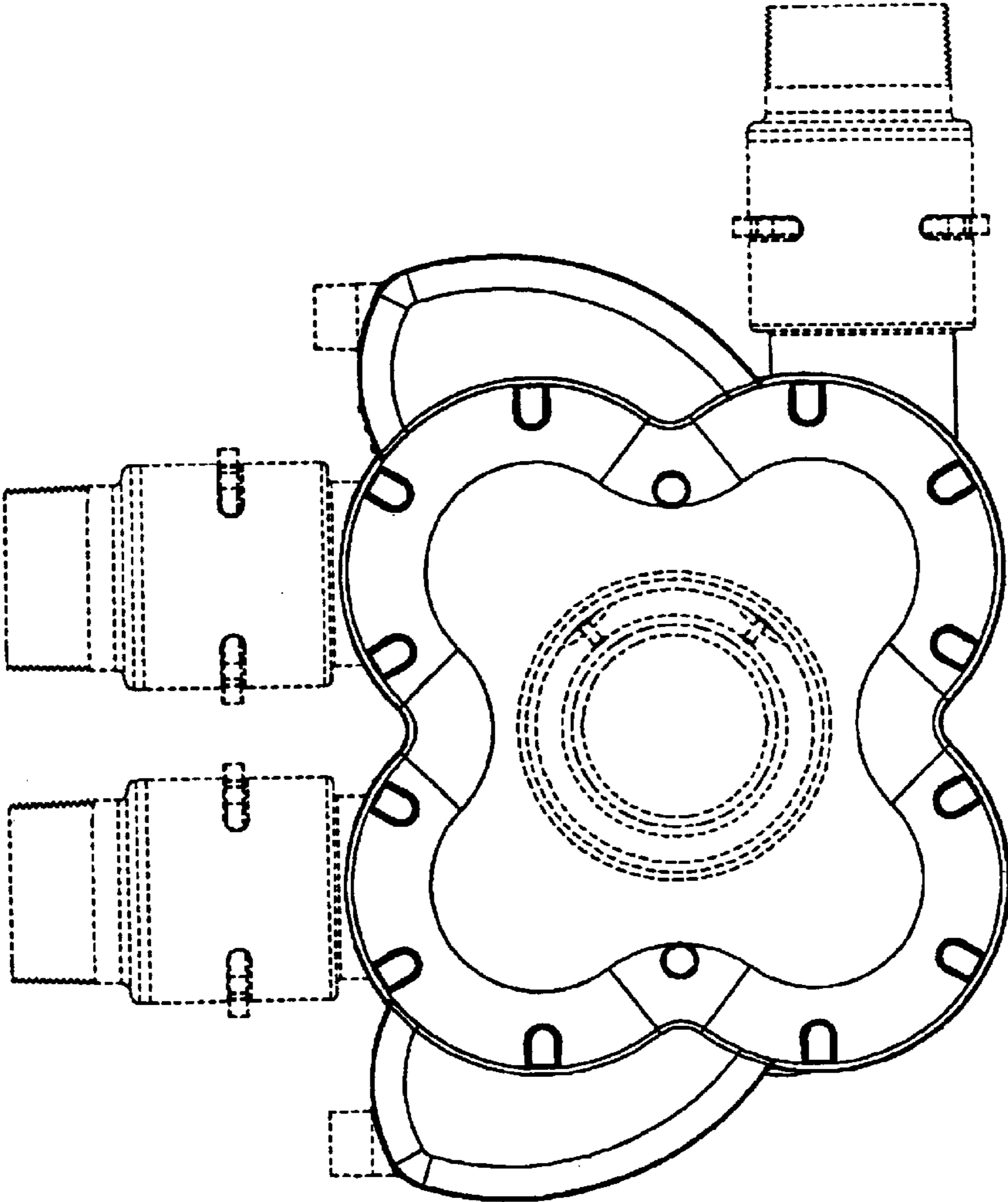


Fig.3

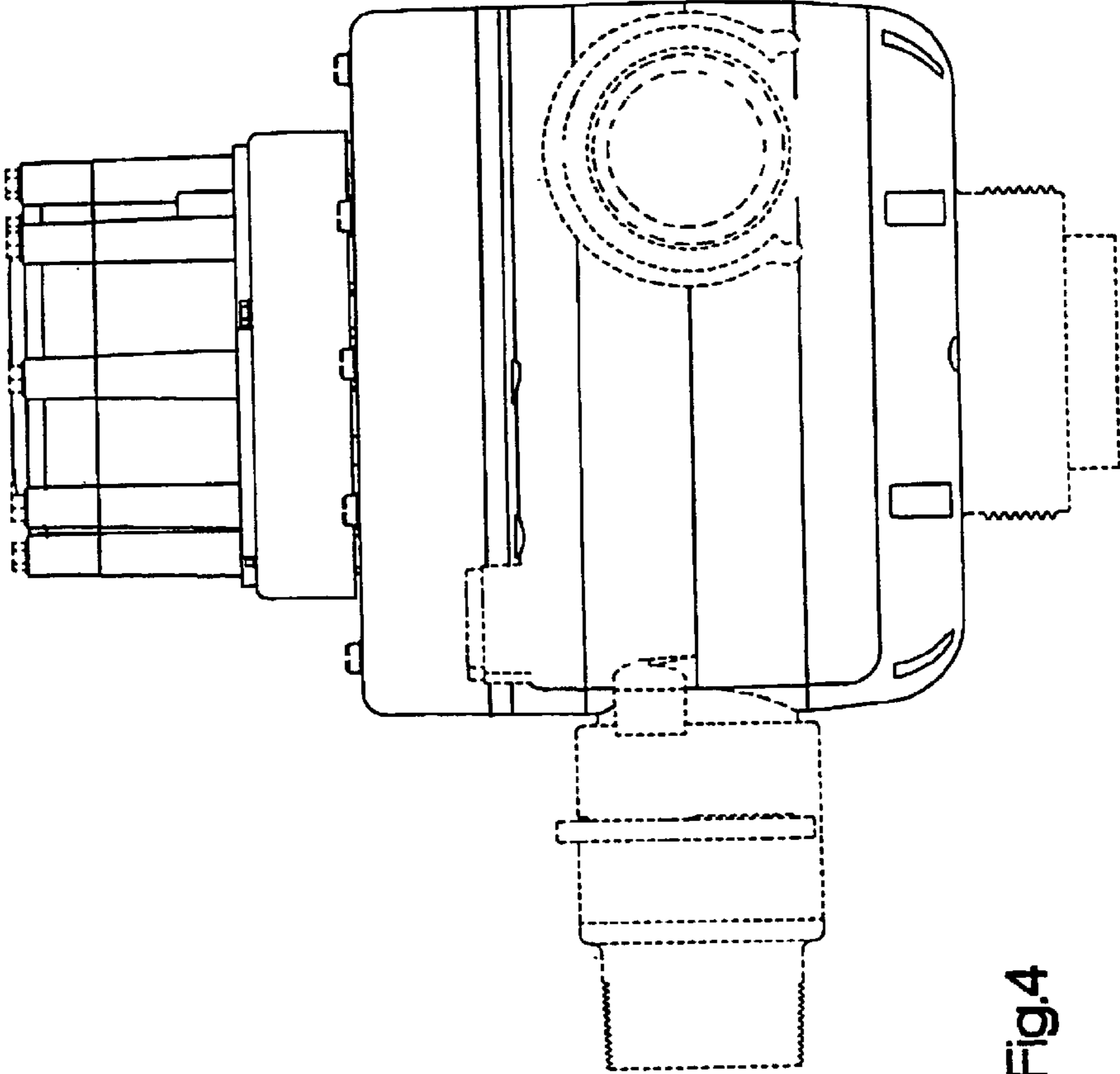


Fig.4

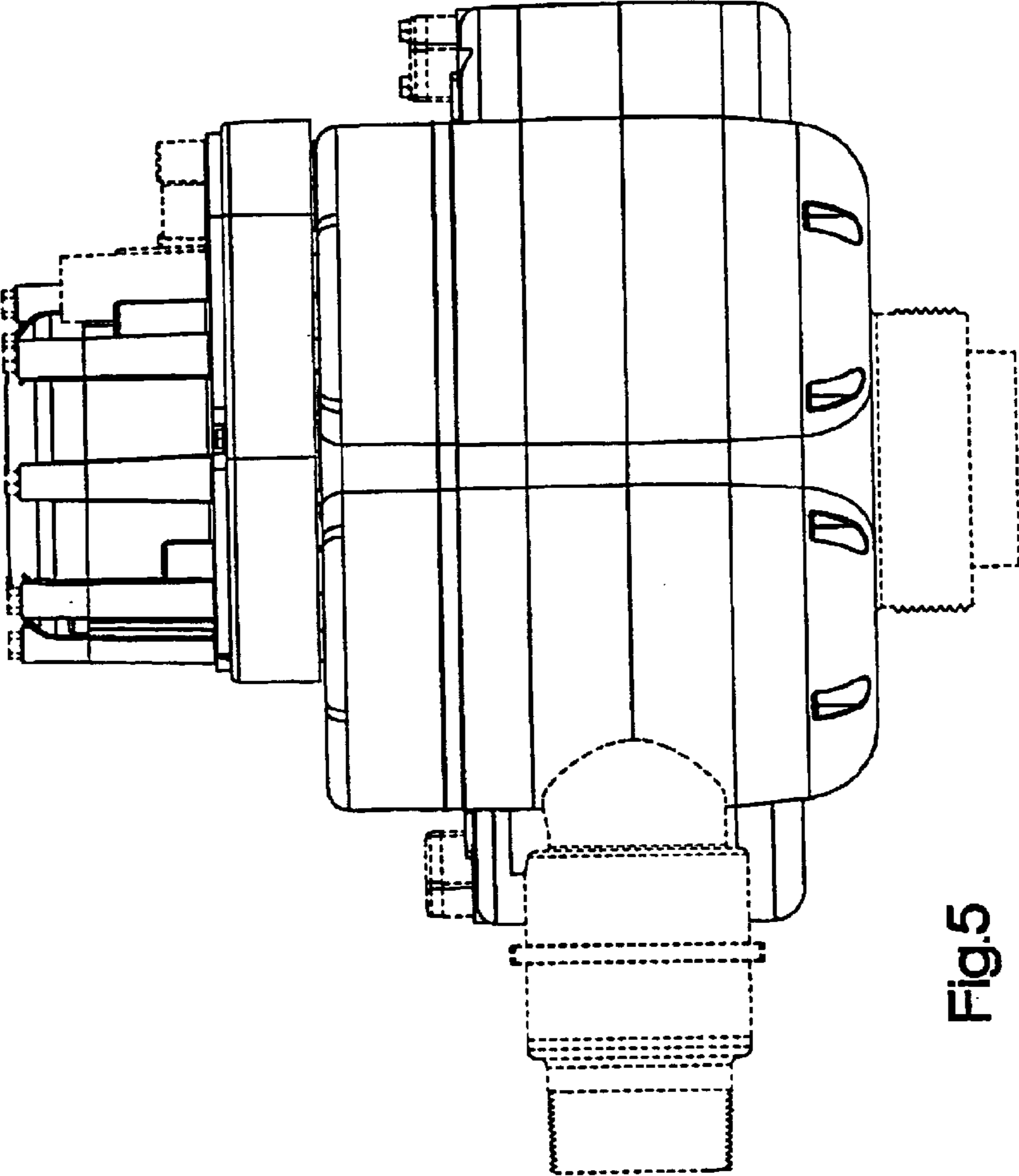


Fig.5

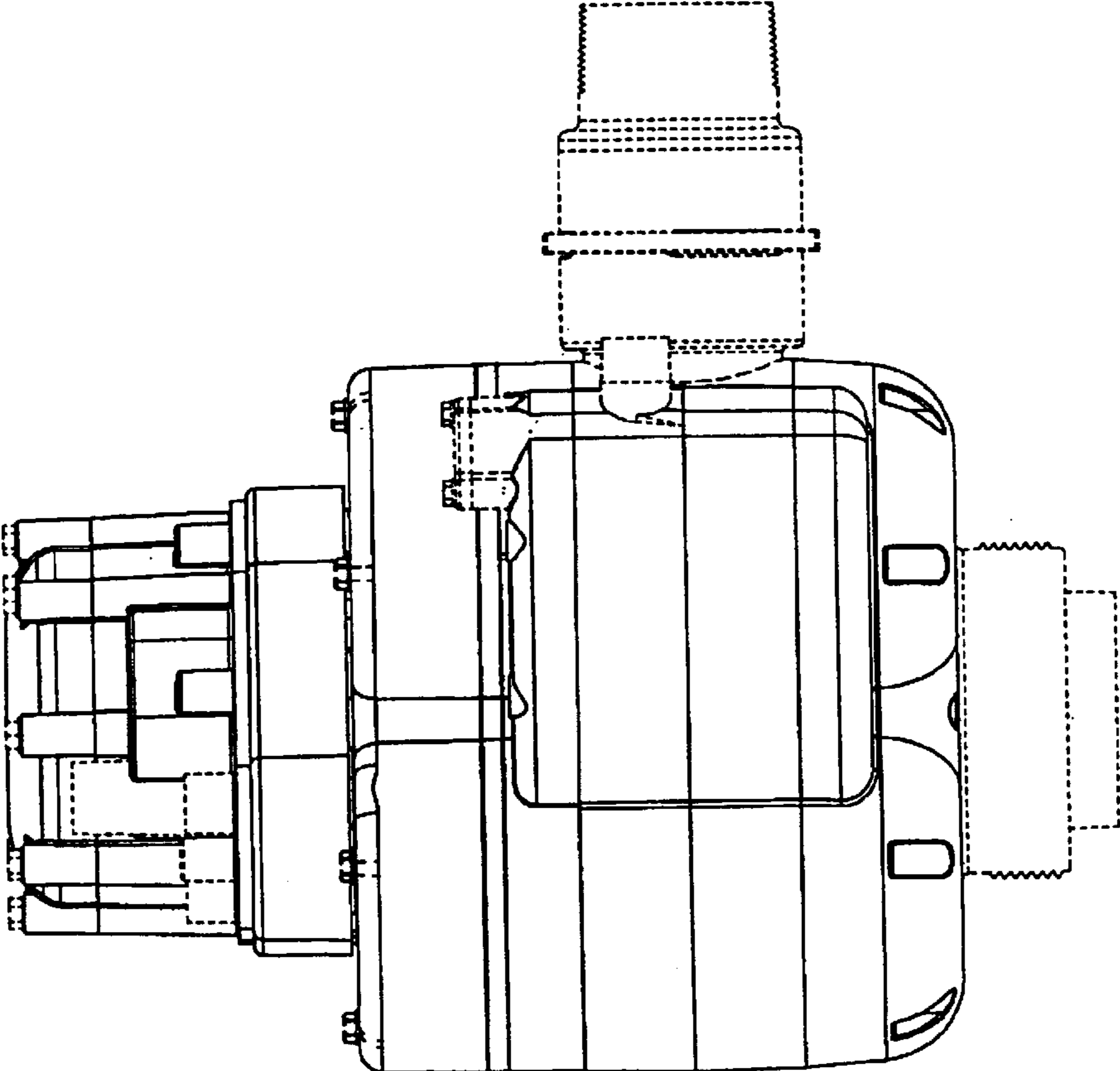


Fig.6

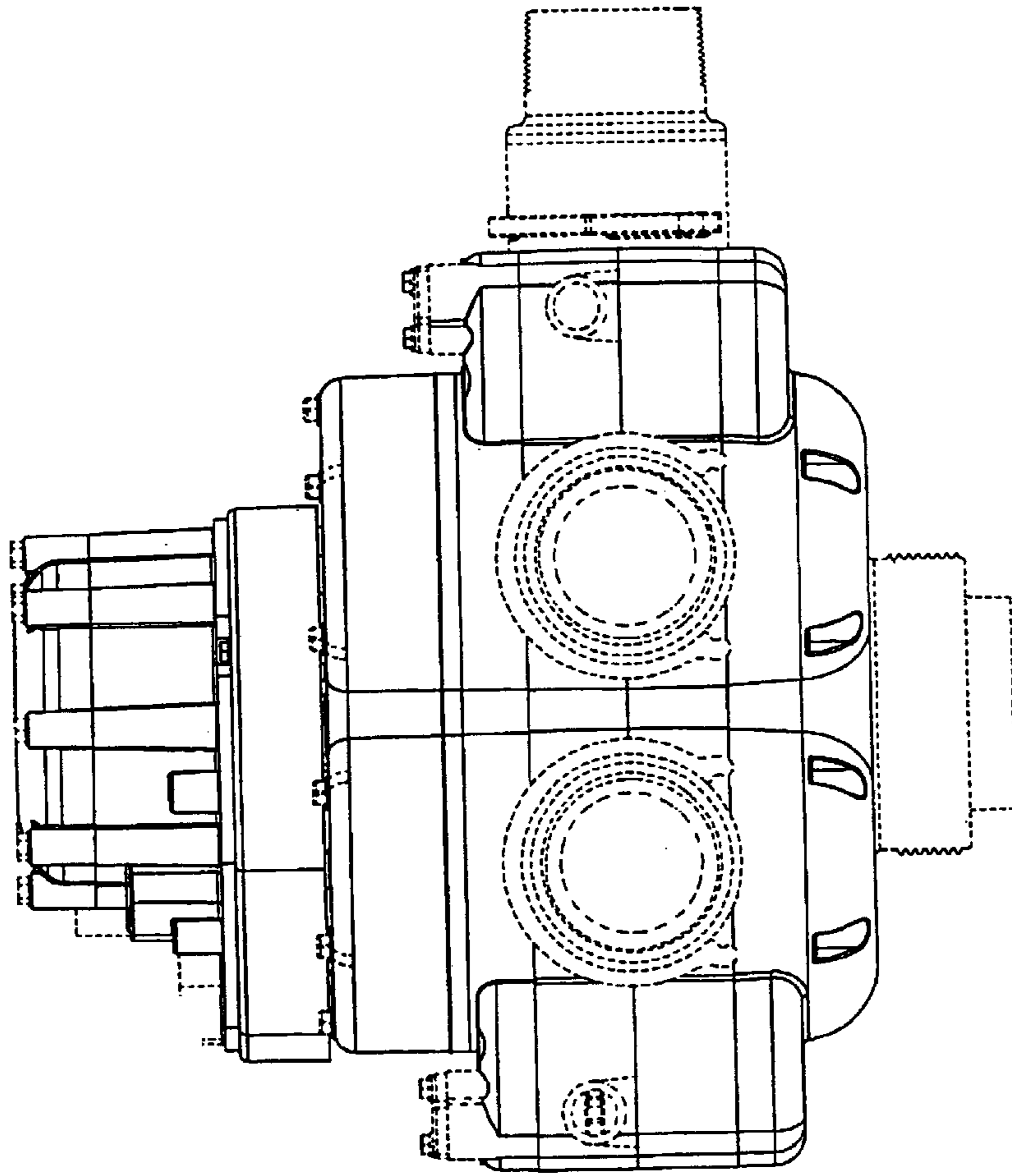


Fig.7