



US00D511558S

(12) **United States Design Patent**  
**Lindtveit**

(10) **Patent No.:** **US D511,558 S**  
(45) **Date of Patent:** **\*\* Nov. 15, 2005**

(54) **OIL FILTER HEAD**

(75) Inventor: **Herbert E. Lindtveit**, Centerport, NY (US)

(73) Assignee: **Westwood Products Inc.**, South River, NJ (US)

(\*\*) Term: **14 Years**

(21) Appl. No.: **29/202,268**

(22) Filed: **Mar. 29, 2004**

(51) **LOC (8) Cl.** ..... **23-01**

(52) **U.S. Cl.** ..... **D23/209**

(58) **Field of Search** ..... D23/207, 209;  
210/232, 493.2, 450, 440, 443-4, 249,  
DIG. 17

(56) **References Cited**

**U.S. PATENT DOCUMENTS**

D188,688 S	*	8/1960	Sicard	.....	D23/209
2,955,712 A	*	10/1960	Gutkowski	.....	210/234
D455,194 S	*	4/2002	Kurth et al.	.....	D23/209
D456,486 S	*	4/2002	Kurth et al.	.....	D23/209
6,488,845 B1	*	12/2002	Neufeld et al.	.....	210/232
6,656,353 B2	*	12/2003	Kilawee et al.	.....	210/198.1

**OTHER PUBLICATIONS**

Fuel Filters, Westwood Catalog Supplement #2, pages F1, F2, F3, F4, F5, and F6, dated Sep. 1, 2003.  
Oil Filters, page 32, publicly available from Mitco Manufacturing prior to Mar. 29, 2004.

Photographs of oil filter head publicly available from Gar-Ber Filters, Inc. prior to Mar. 29, 2004.

Photographs of oil filter head publicly available from Industrial Aviation prior to Mar. 29, 2004.

Photographs of oil filter head publicly available from Mitco Manufacturing prior to Mar. 29, 2004.

Photographs of oil filter head publicly available from Westwood Products, Inc. prior to Mar. 29, 2004.

Catalog "Gar-Ber Filters", publicly available from Gar-Ber Filters, Inc. prior to Mar. 29, 2004.

Spin-On Fuel Oil Filters and Elements, page 31, publicly available from Mitco Manufacturing prior to Mar. 29, 2004.

\* cited by examiner

*Primary Examiner*—Robin V. Taylor

(74) *Attorney, Agent, or Firm*—Christensen O'Connor Johnson Kindness PLLC

(57) **CLAIM**

The ornamental design for an oil filter head, as shown.

**DESCRIPTION**

FIG. 1 is a top perspective view of an oil filter head showing my new design;

FIG. 2 is a bottom perspective view thereof;

FIG. 3 is a top plan view thereof;

FIG. 4 is a bottom plan view thereof;

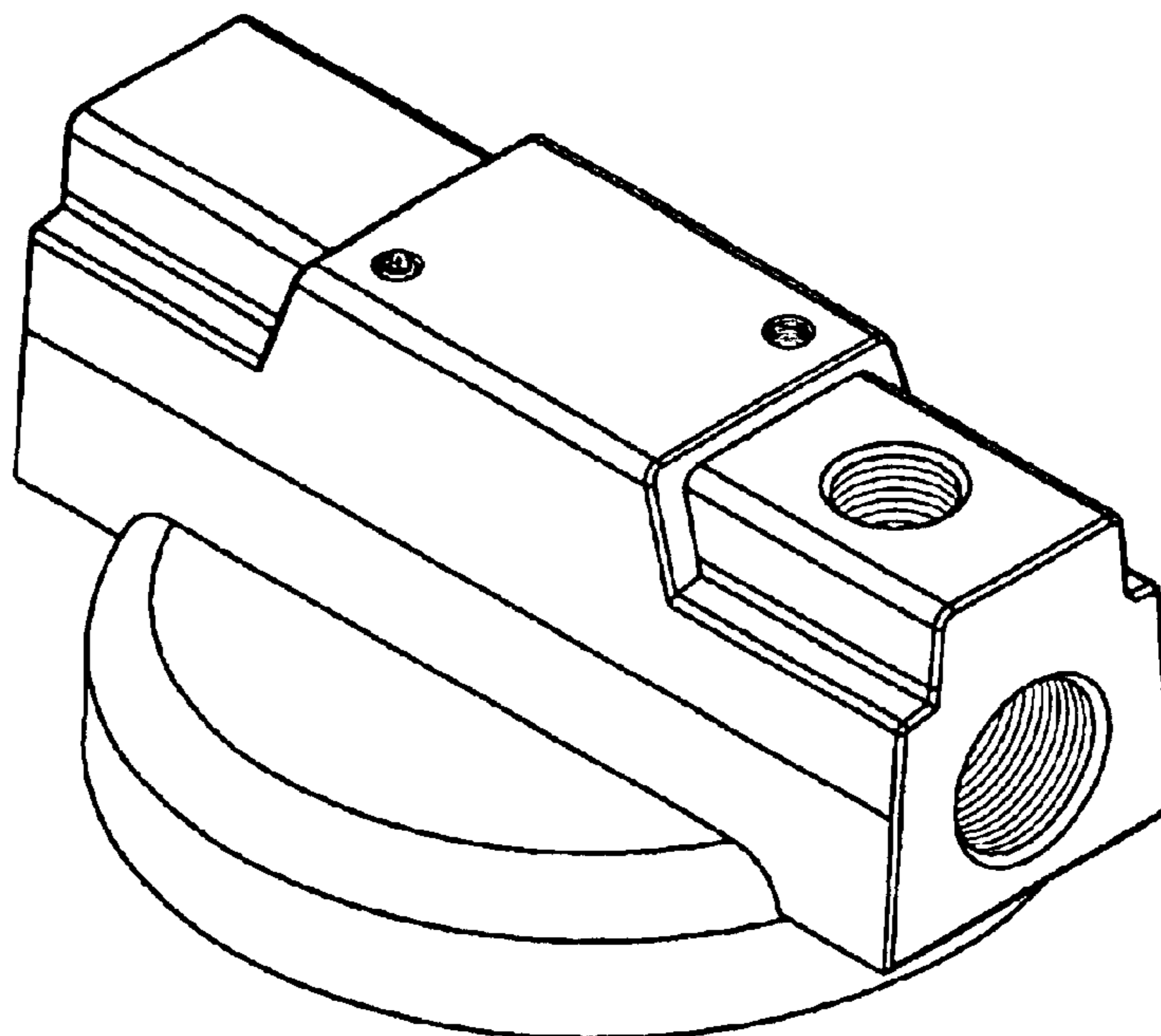
FIG. 5 is a front elevation view thereof;

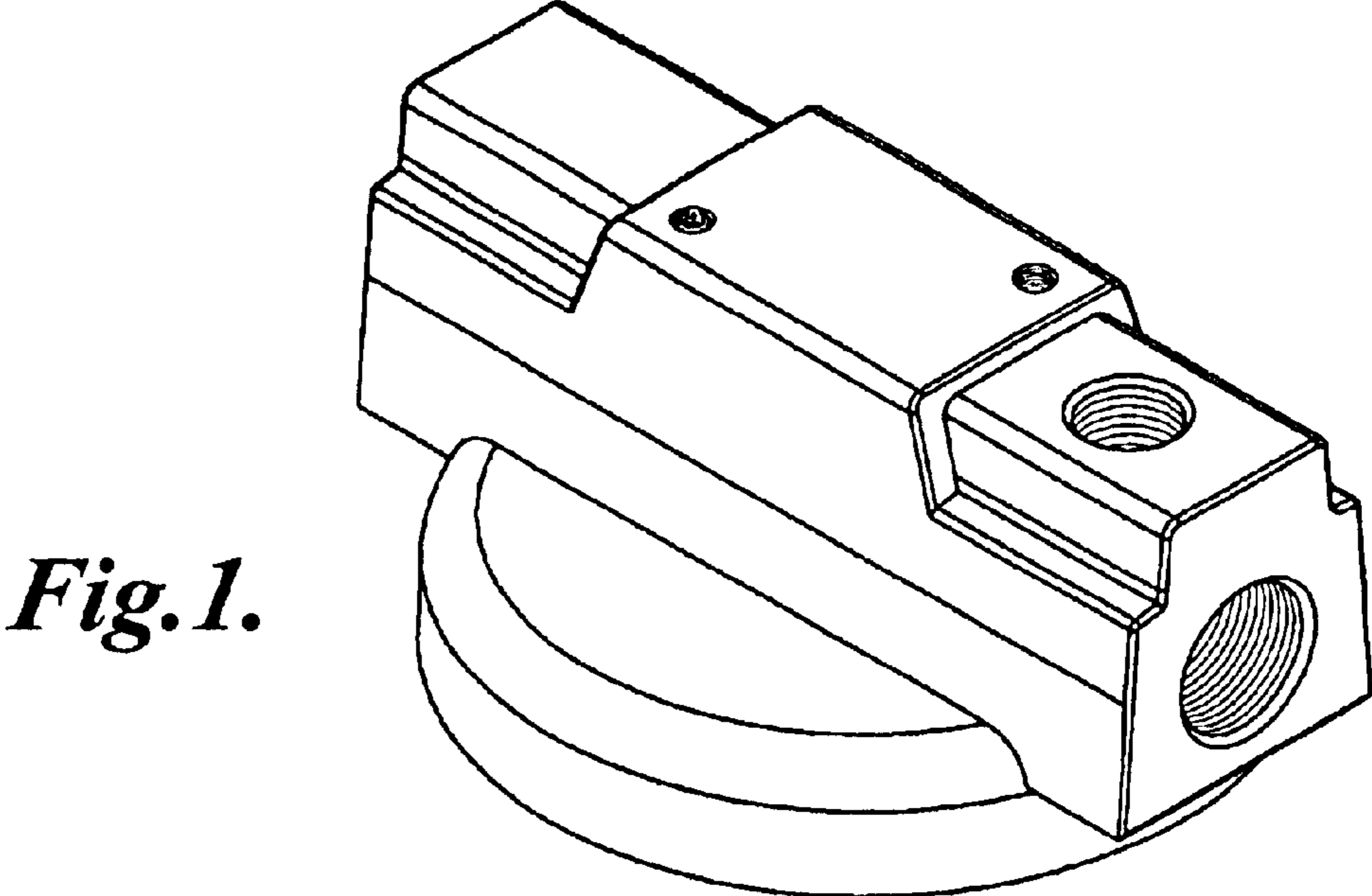
FIG. 6 is a left side elevation view thereof;

FIG. 7 is a right side elevation view thereof; and,

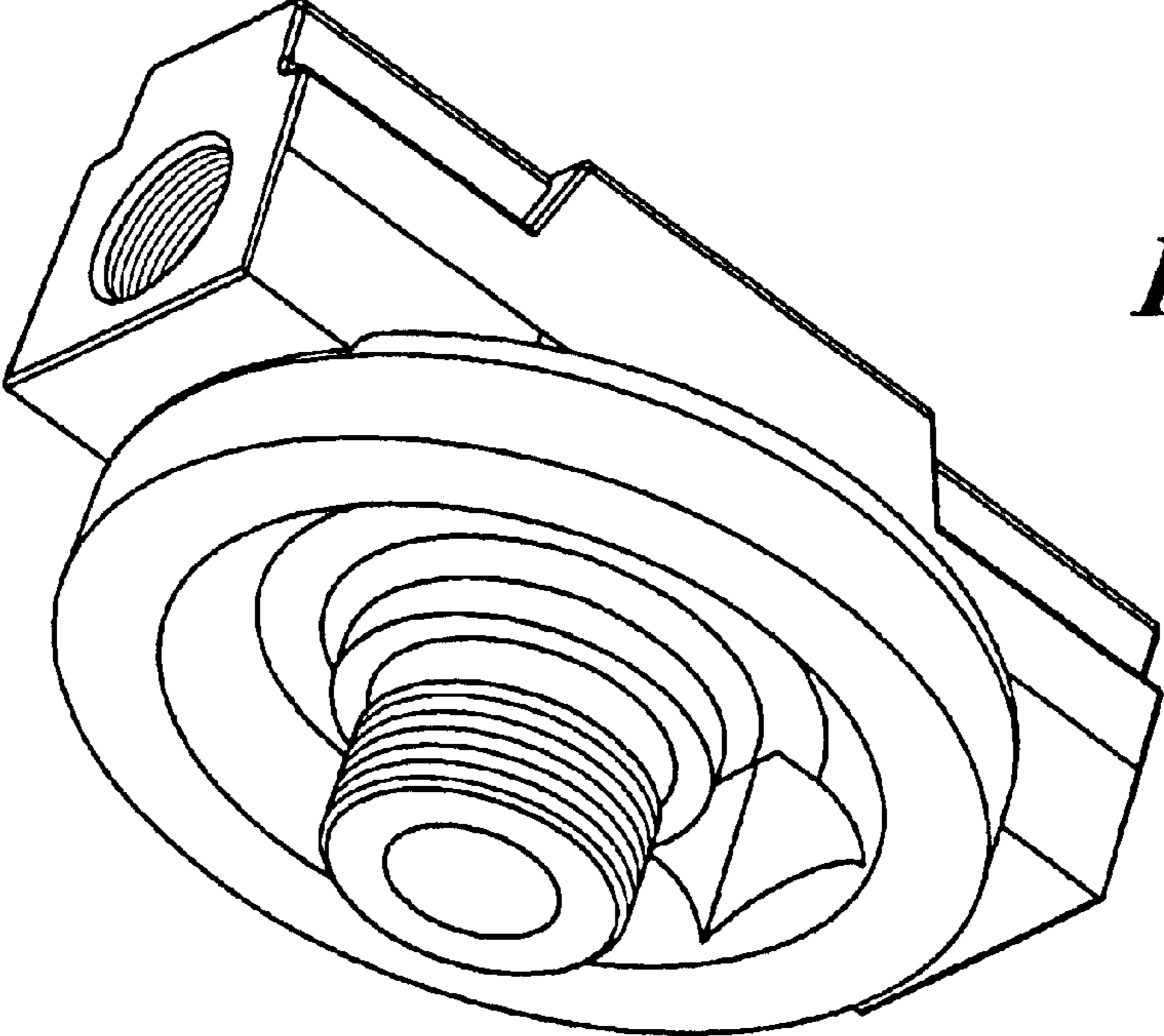
FIG. 8 is a rear elevation view thereof.

**1 Claim, 3 Drawing Sheets**

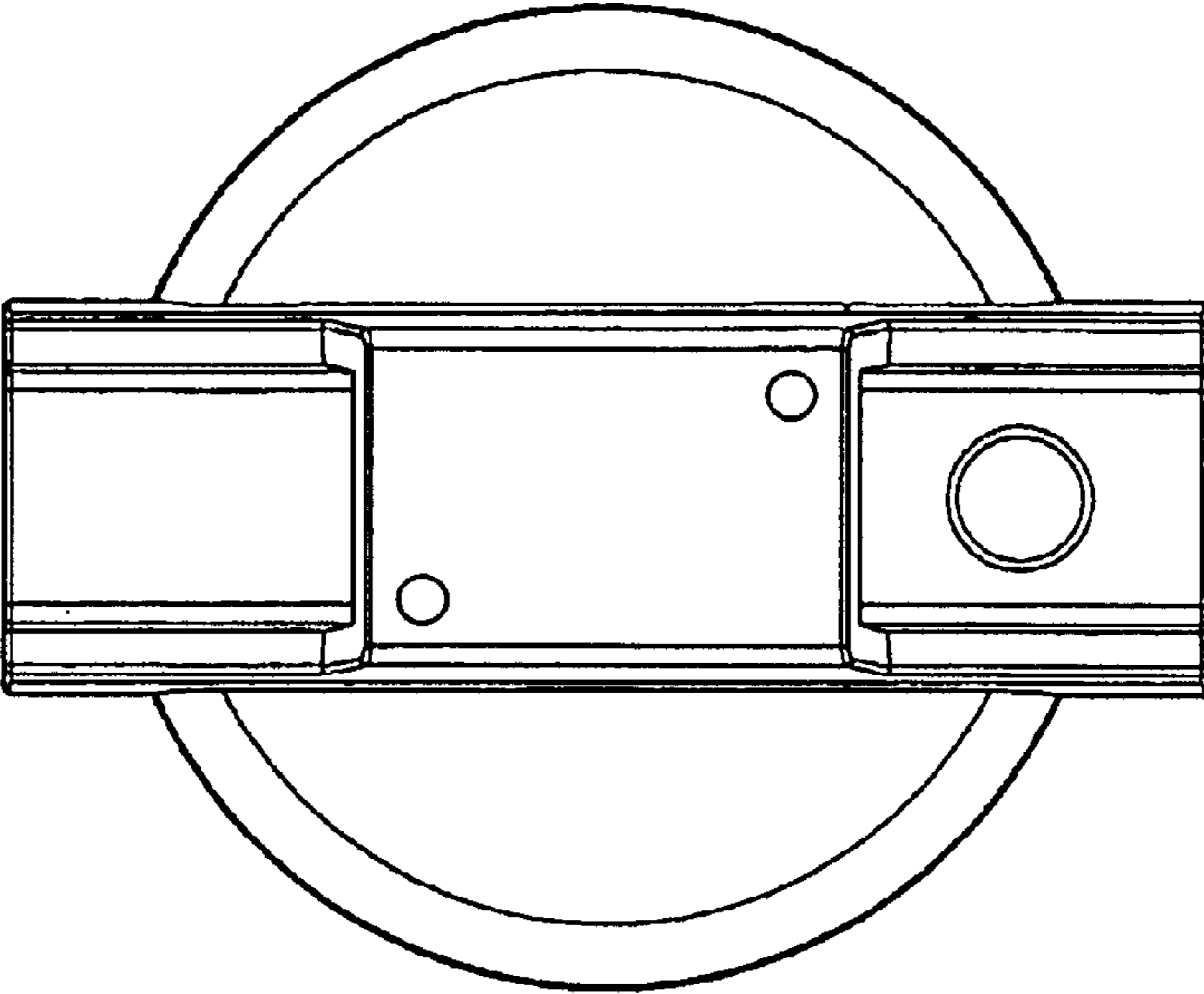




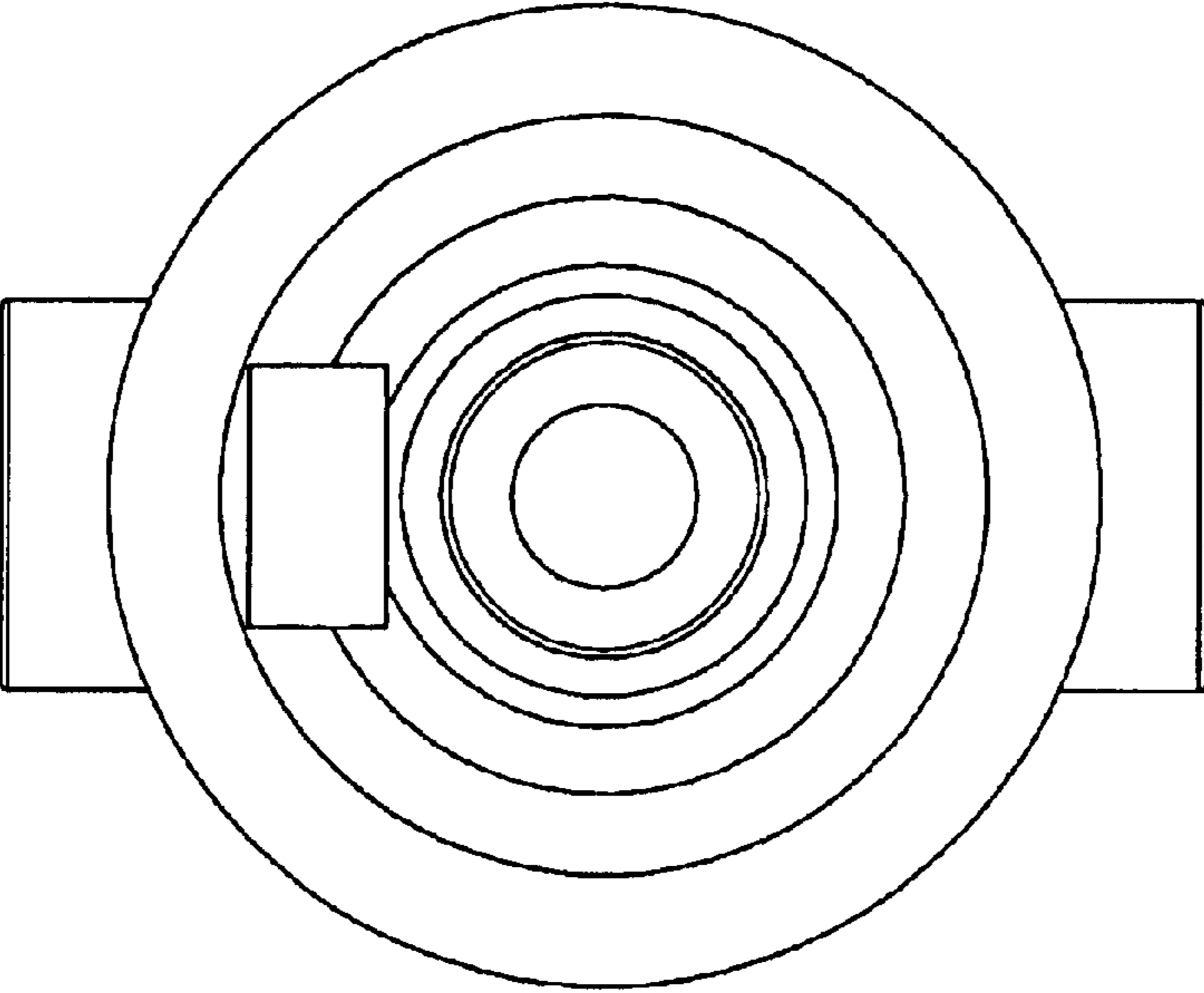
*Fig. 1.*



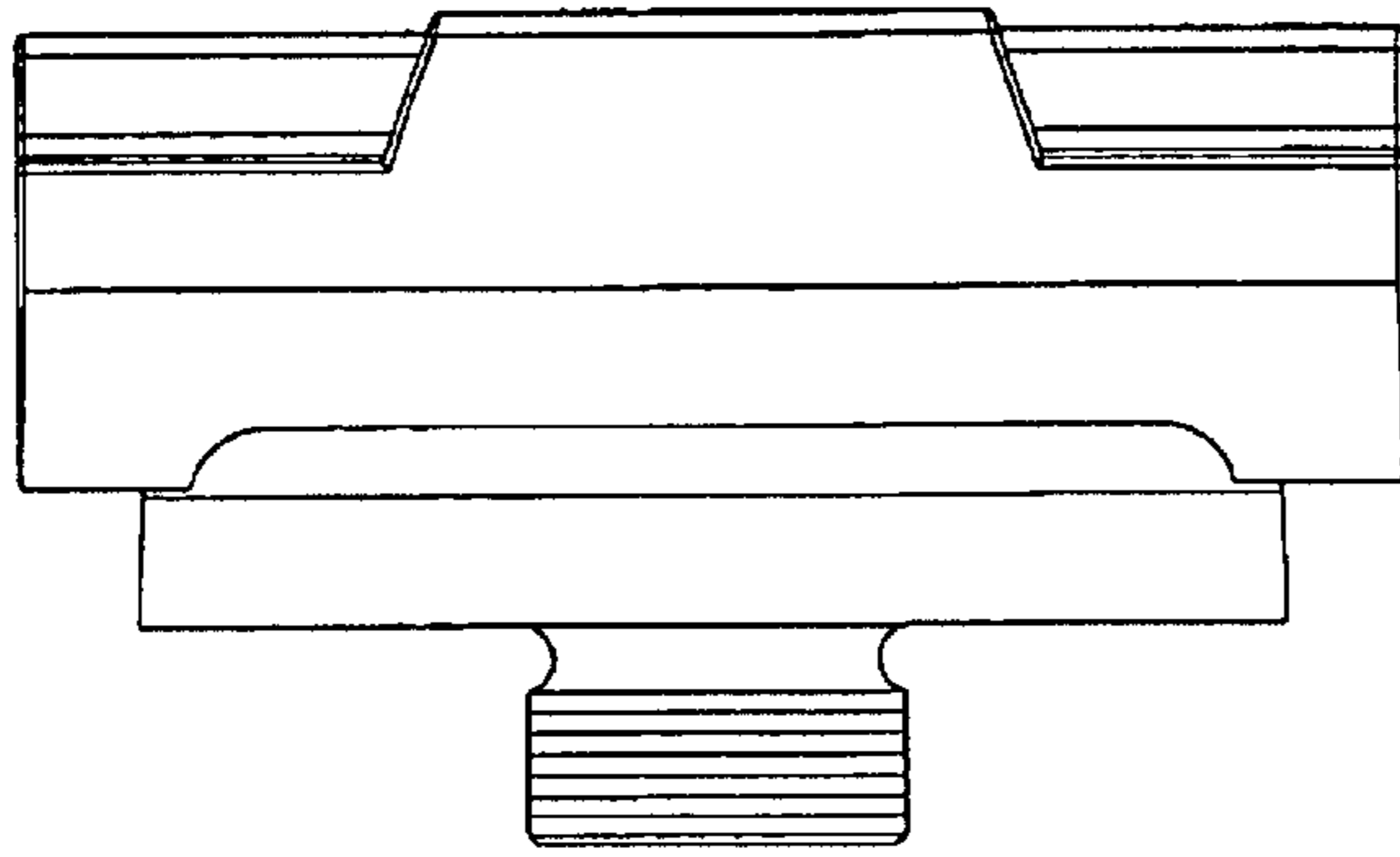
*Fig. 2.*



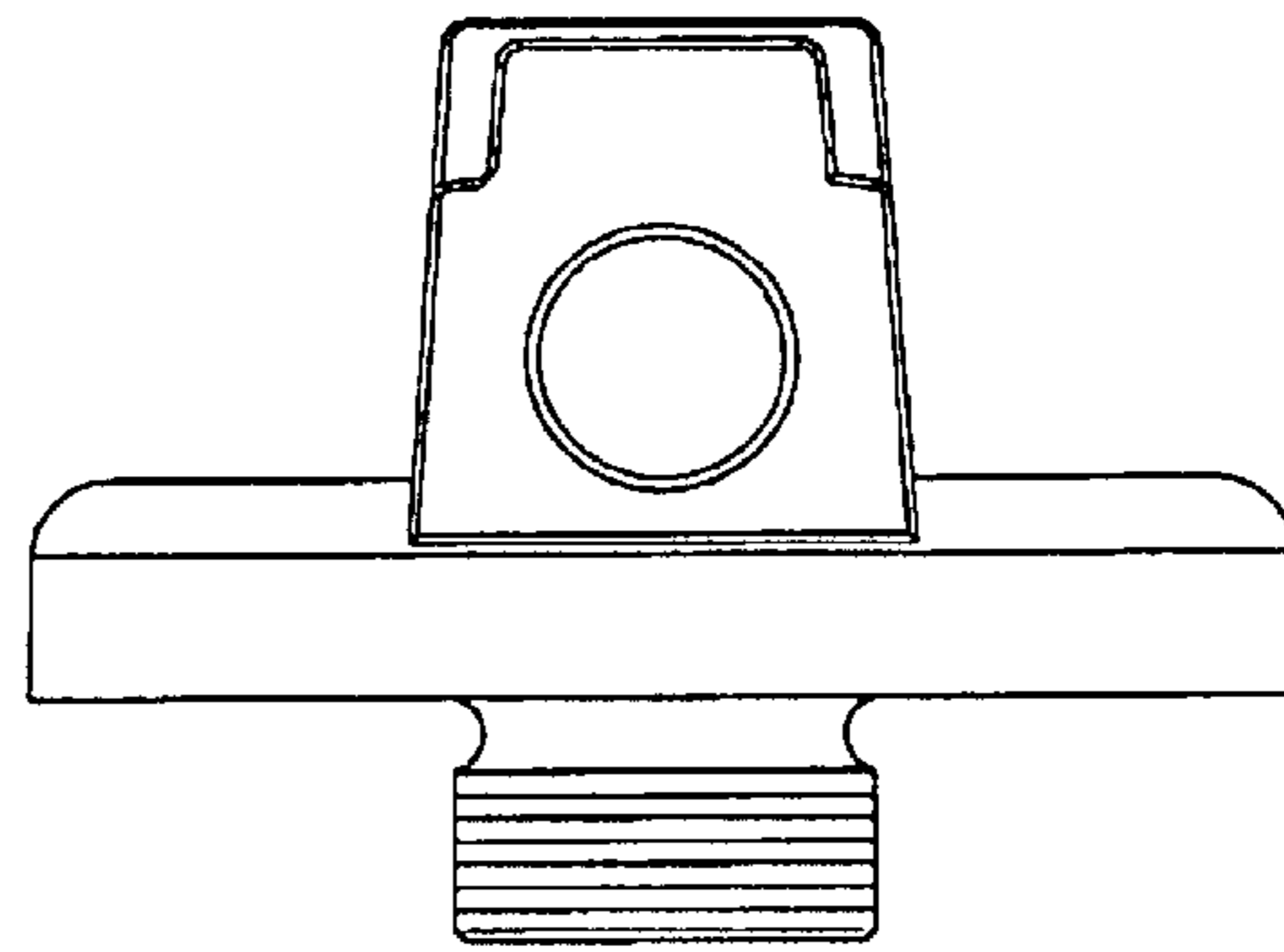
*Fig. 3.*



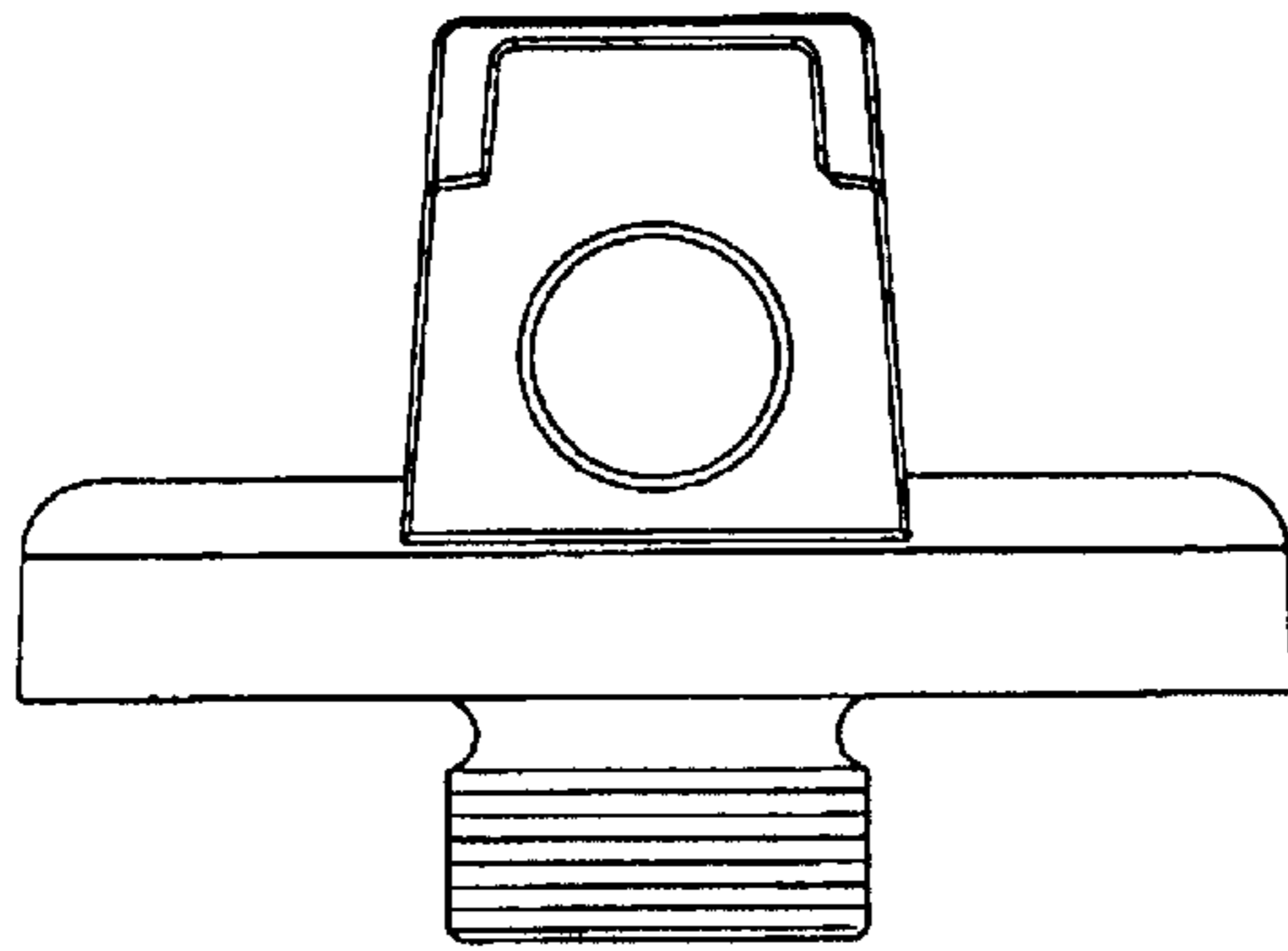
*Fig. 4.*



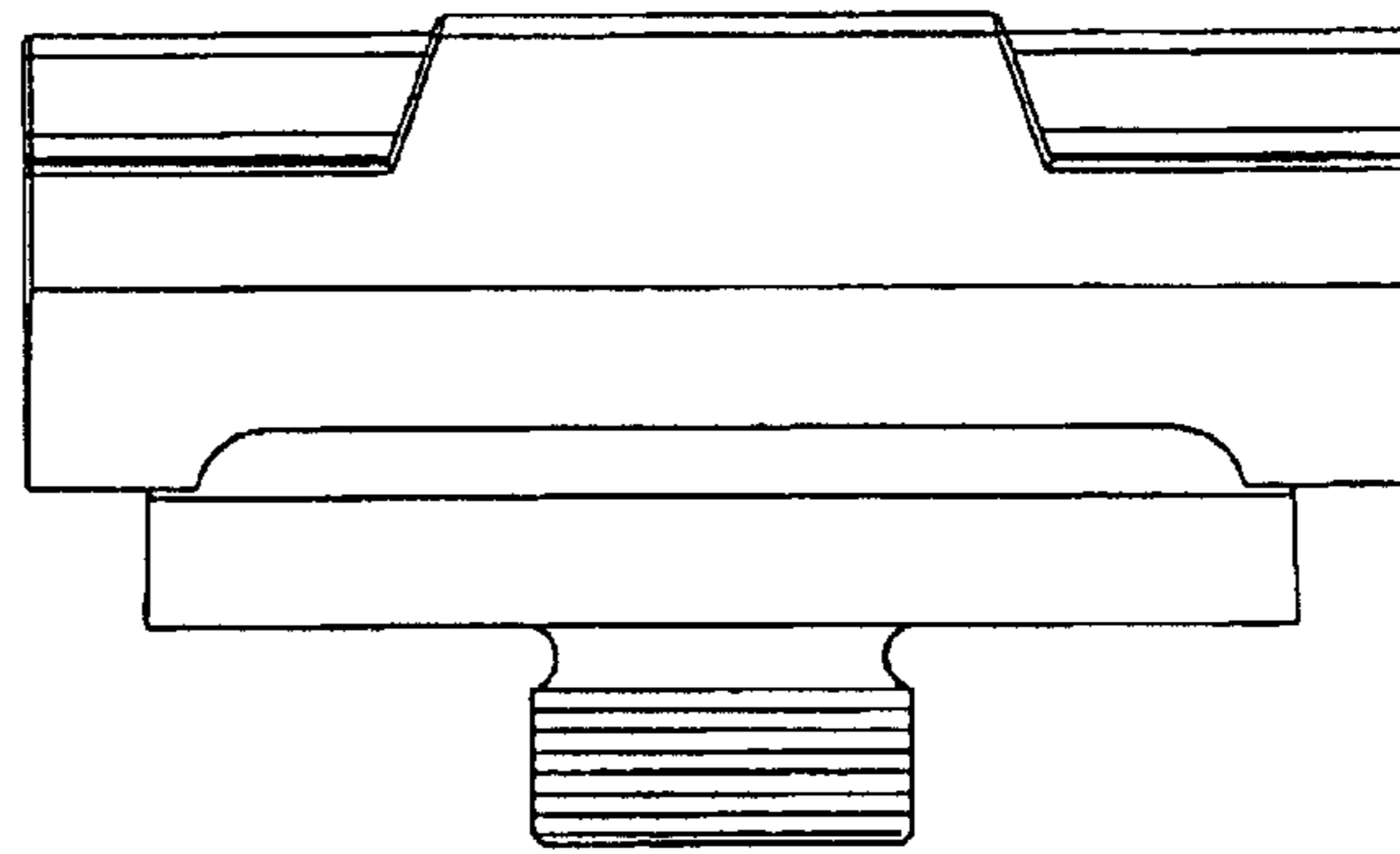
*Fig. 5.*



*Fig. 6.*



*Fig. 7.*



*Fig. 8.*