



US00D511556S

(12) **United States Design Patent**  
**Auberger**

(10) **Patent No.:** **US D511,556 S**

(45) **Date of Patent:** **\*\* Nov. 15, 2005**

(54) **BEE AND FLOWER DECORATIVE BARRIER**

D485,326 S \* 1/2004 Frank ..... D21/826  
D493,204 S \* 7/2004 Frank ..... D21/826

(75) **Inventor:** **M. Benoît Auberger**, La Fôret sur  
Sèvre (FR)

\* cited by examiner

(73) **Assignee:** **Wesco Company S.A.**, Cerizay (FR)

*Primary Examiner*—Mitchell Siegel

(74) *Attorney, Agent, or Firm*—Horst M. Kasper

(\*\*) **Term:** **14 Years**

(57) **CLAIM**

(21) **Appl. No.:** **29/208,435**

The ornamental design for bee and flower decorative barrier,  
as shown and described.

(22) **Filed:** **Jun. 29, 2004**

(30) **Foreign Application Priority Data**

Dec. 29, 2003 (EM) ..... 000119441-0023

(51) **LOC (8) Cl.** ..... **21-03**

(52) **U.S. Cl.** ..... **D21/814**

(58) **Field of Search** ..... D21/811, 814,  
D21/818-827, 493; 482/35, 36; D25/50,  
39, 38; 446/35, 314, 124, 125

**DESCRIPTION**

FIG. 1 is a front elevational view of bee and flower deco-  
rative barrier

FIG. 2 is a top plan view thereof;

FIG. 3 is a left side elevational view thereof;

FIG. 4 is a rear side elevational view thereof;

FIG. 5 is a right side elevational view thereof;

FIG. 6 is a bottom side elevational view thereof; and,

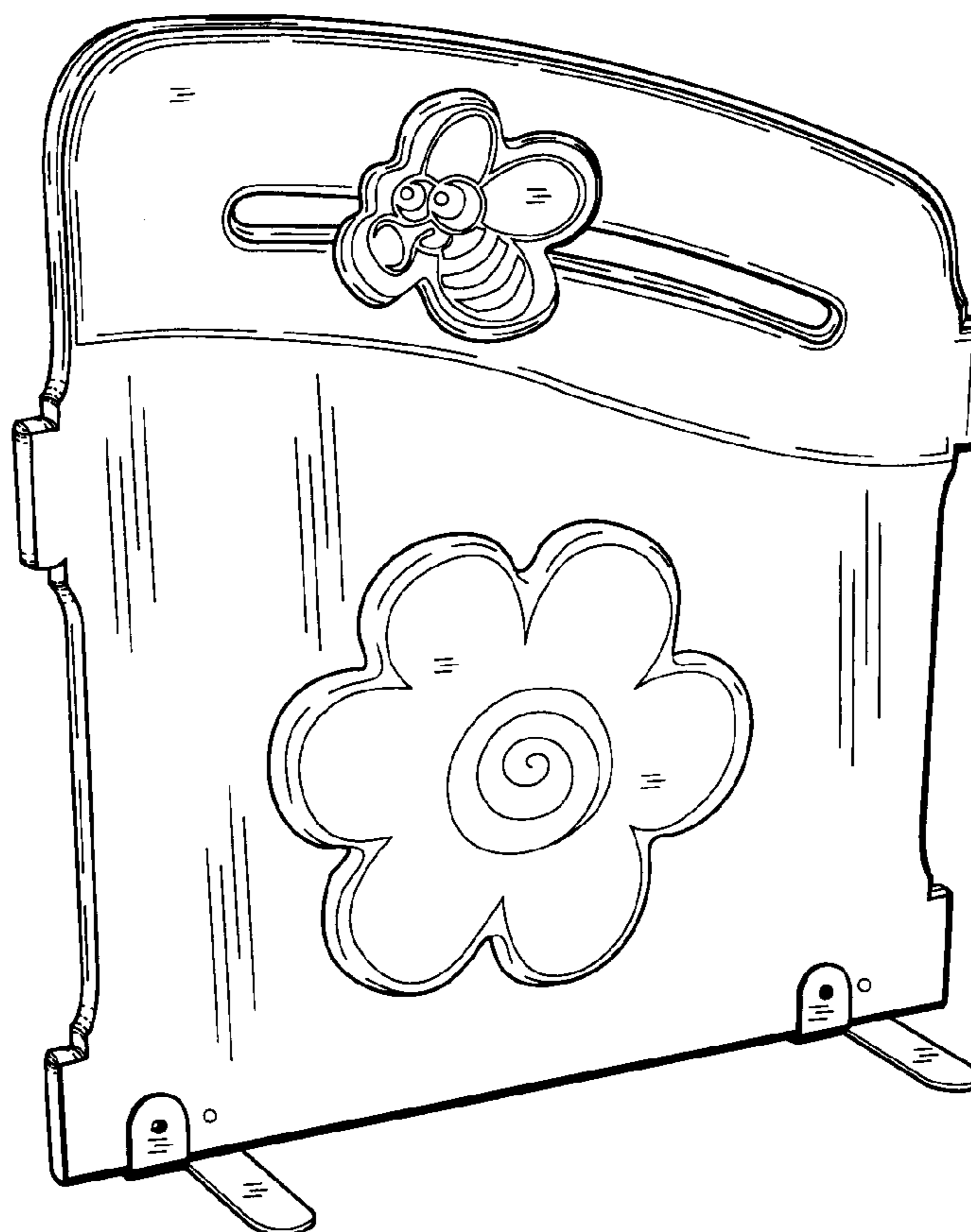
FIG. 7 is a front and side perspective view of bee and flower  
decorative barrier.

(56) **References Cited**

**U.S. PATENT DOCUMENTS**

D468,386 S \* 1/2003 Frank ..... D21/826

**1 Claim, 3 Drawing Sheets**



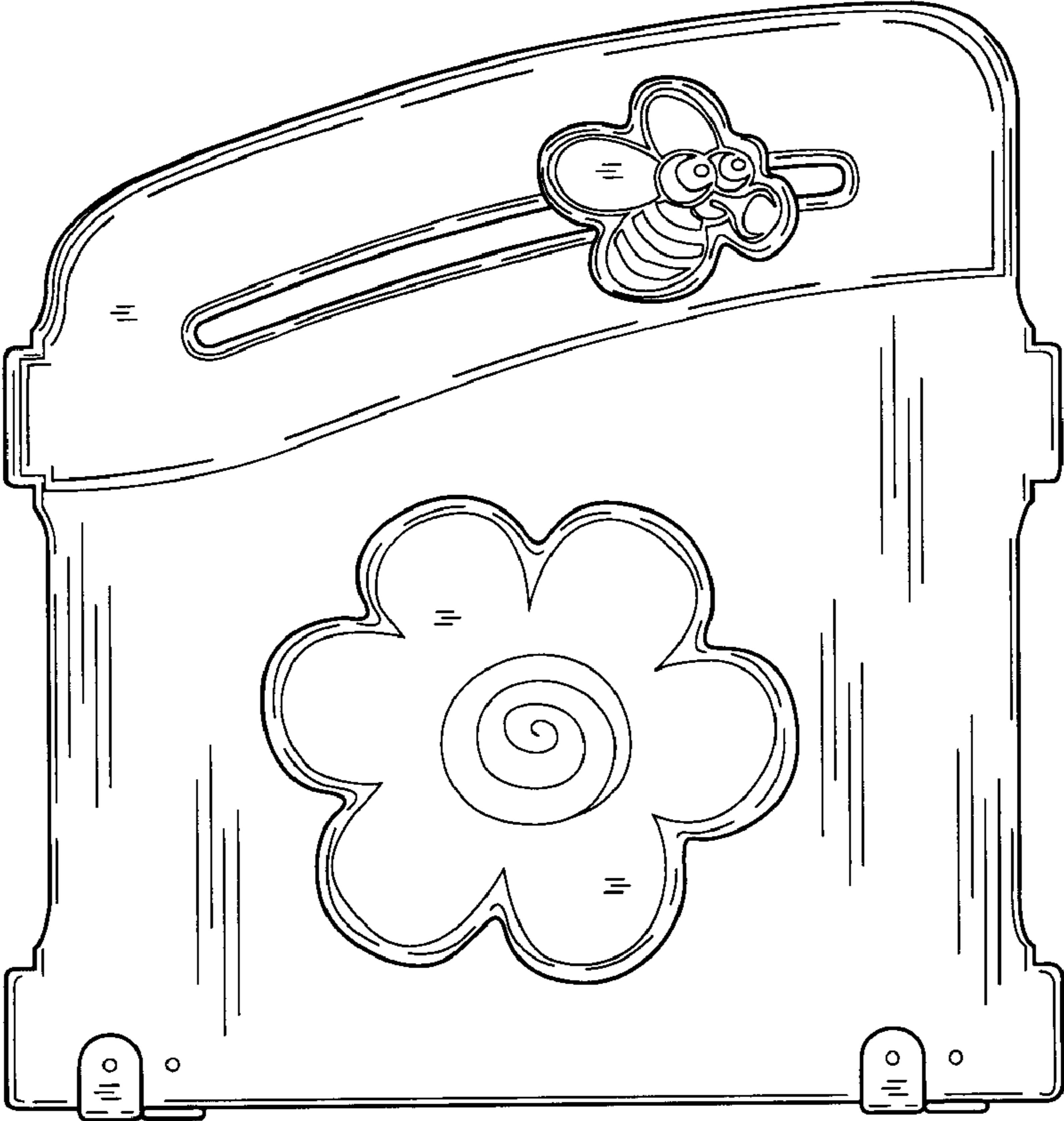


Fig. 1

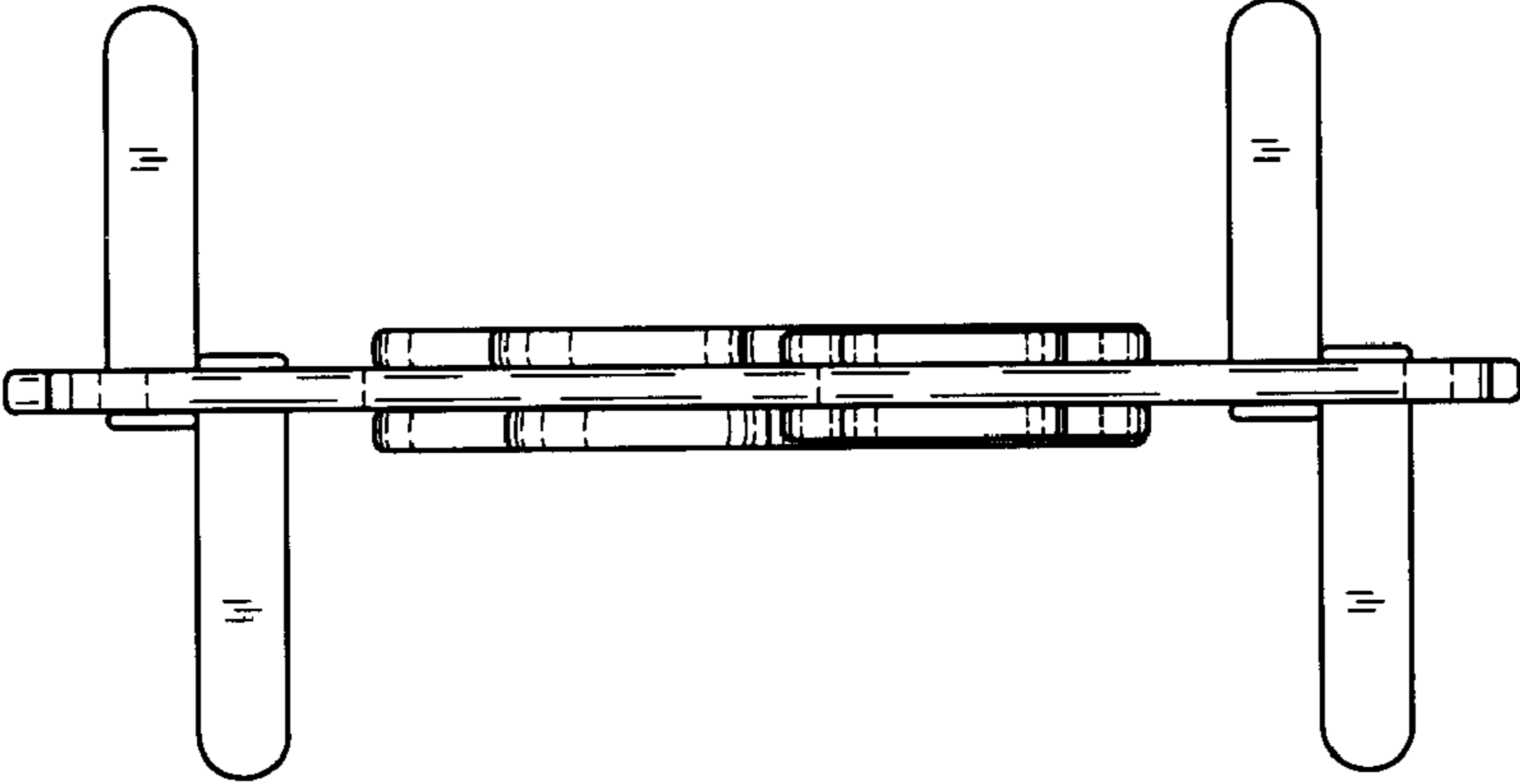


Fig. 2

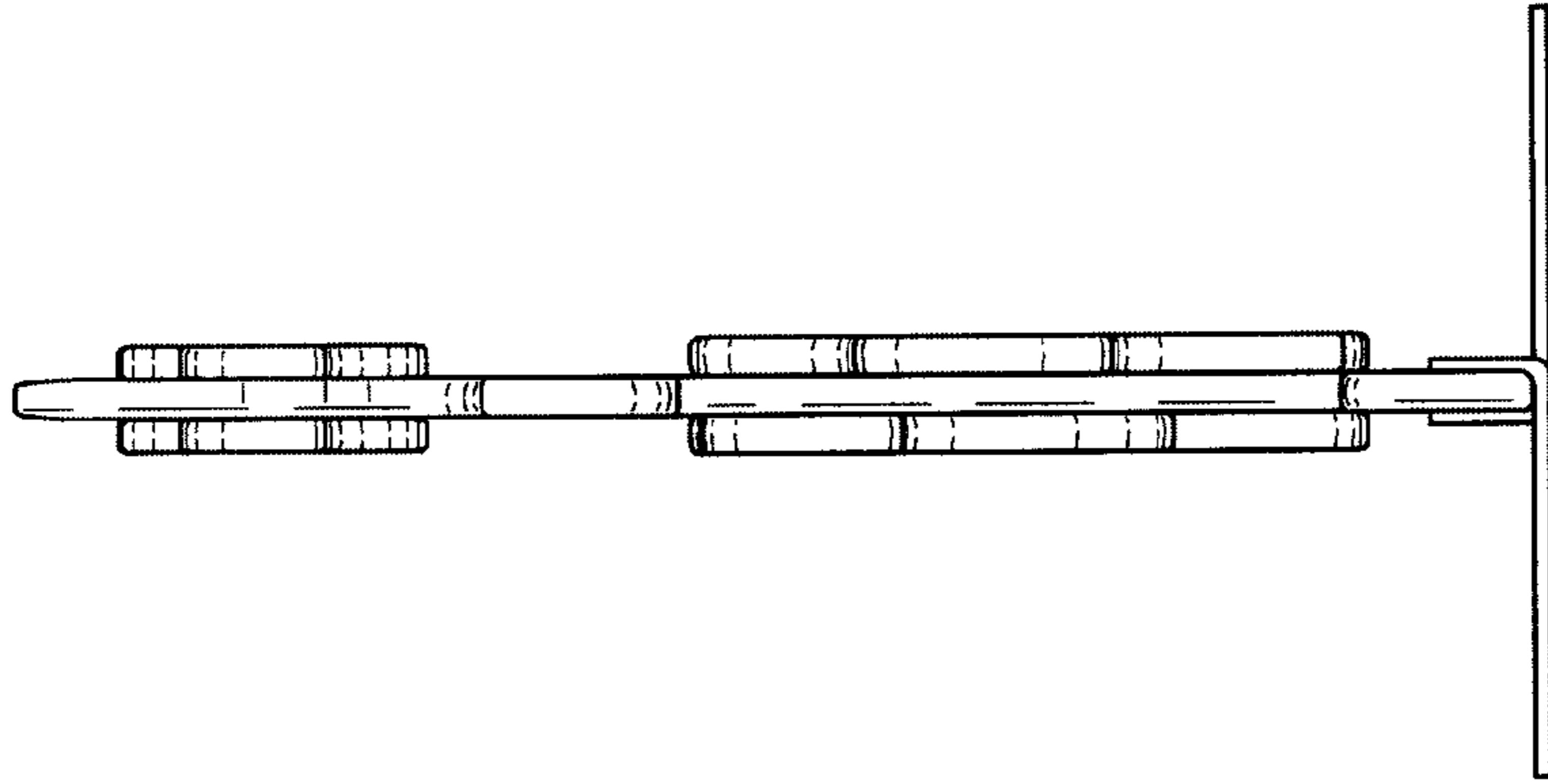


Fig. 3

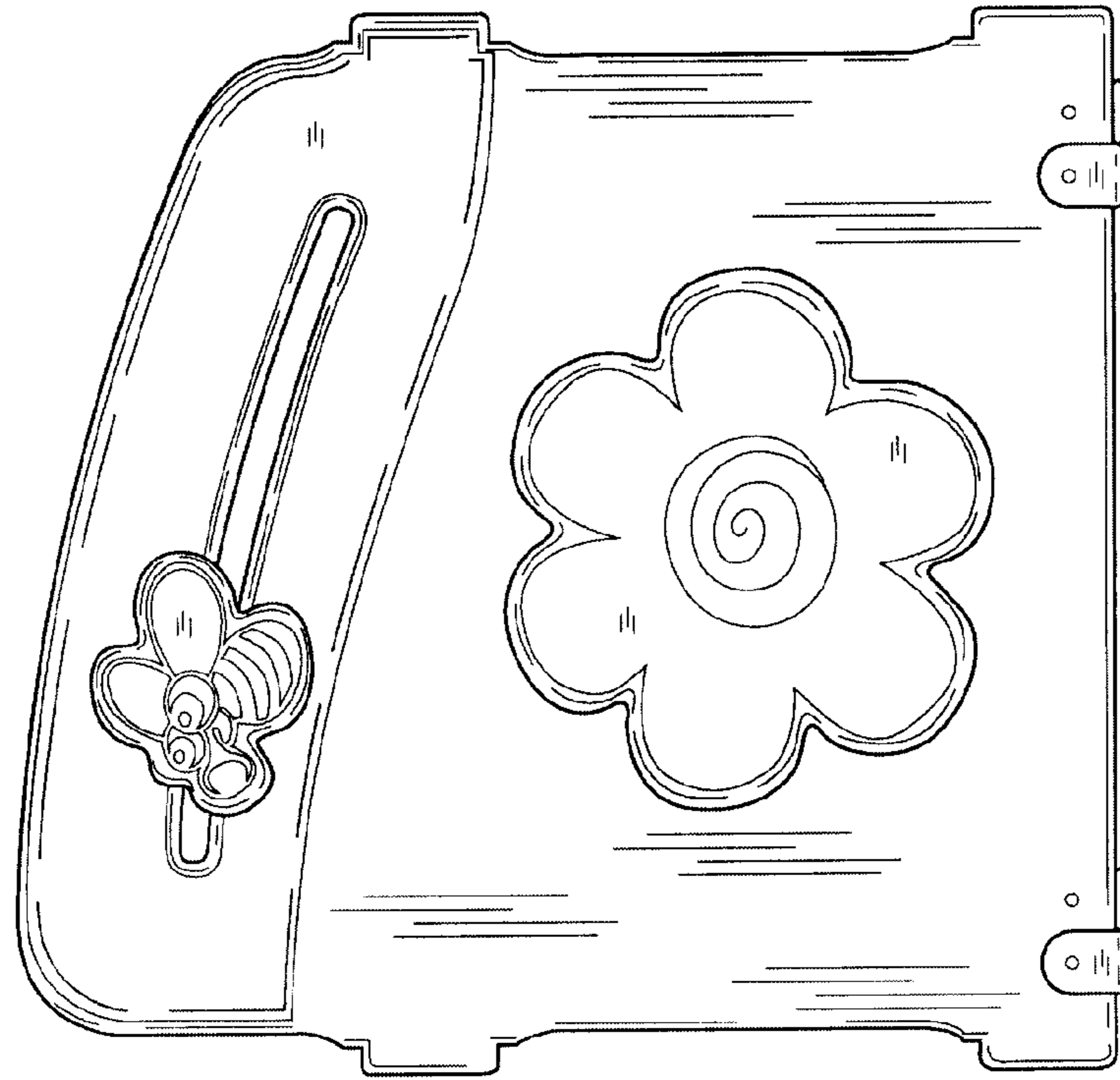


Fig. 4

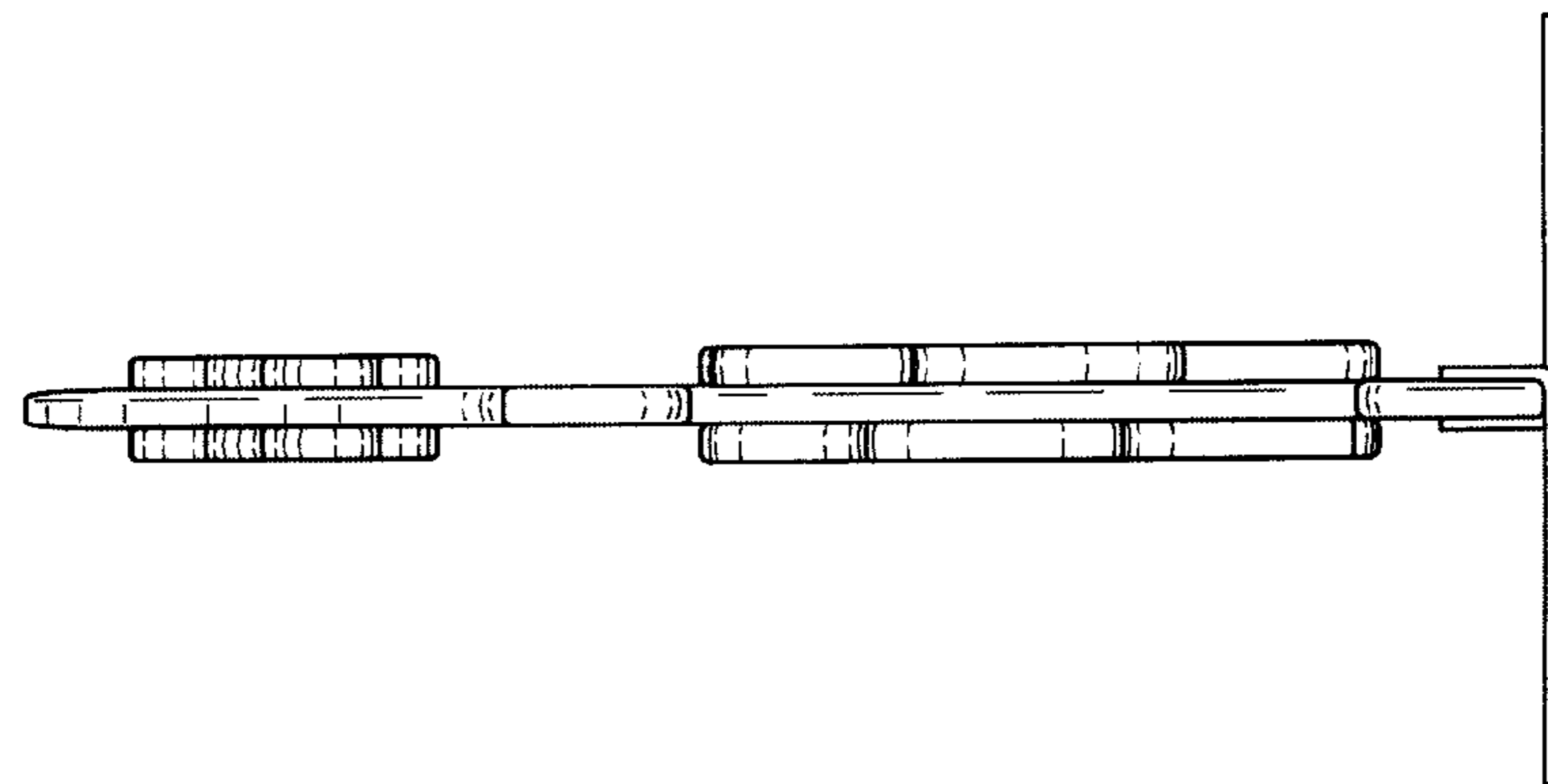


Fig. 5

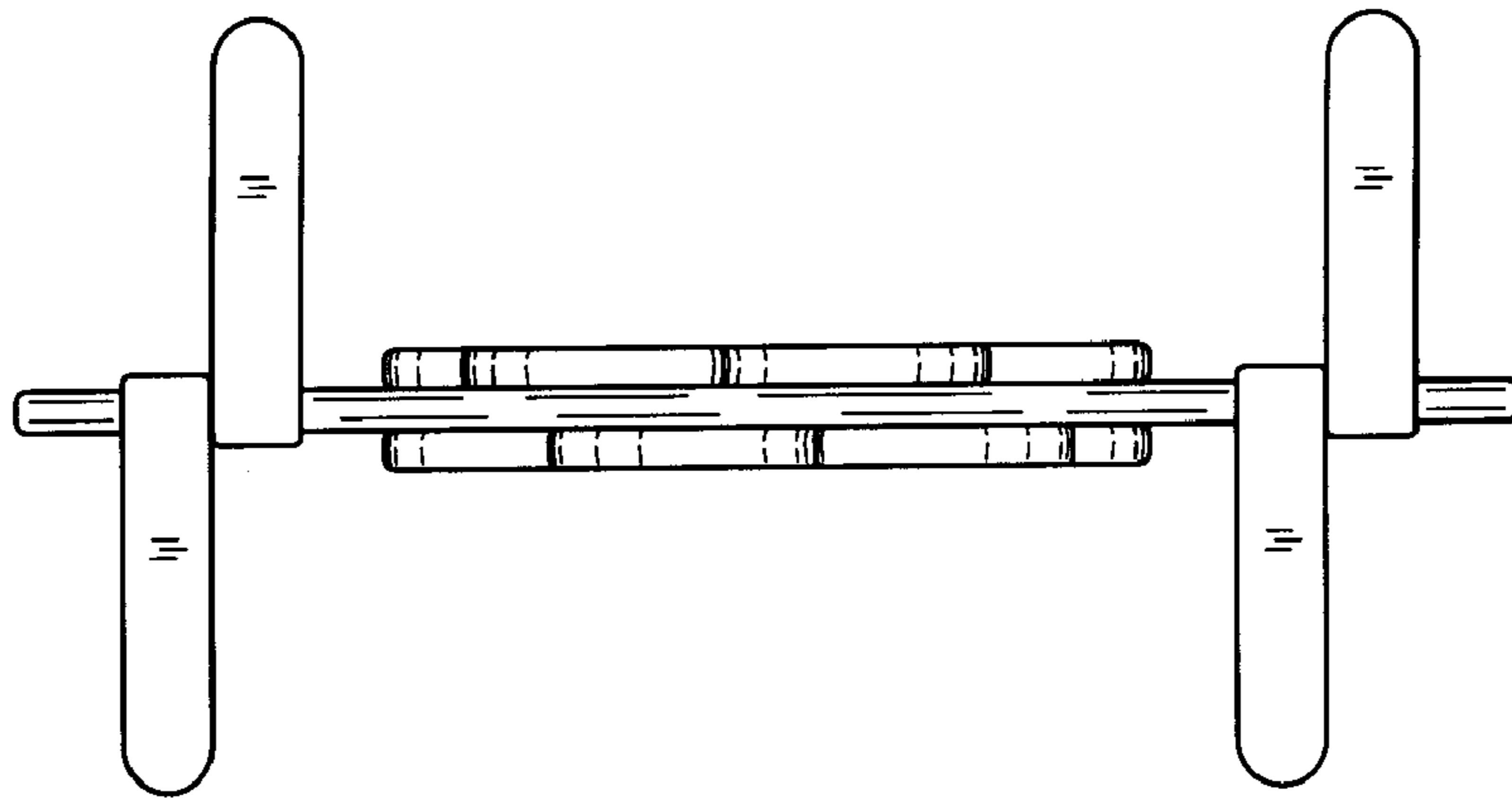


Fig. 6

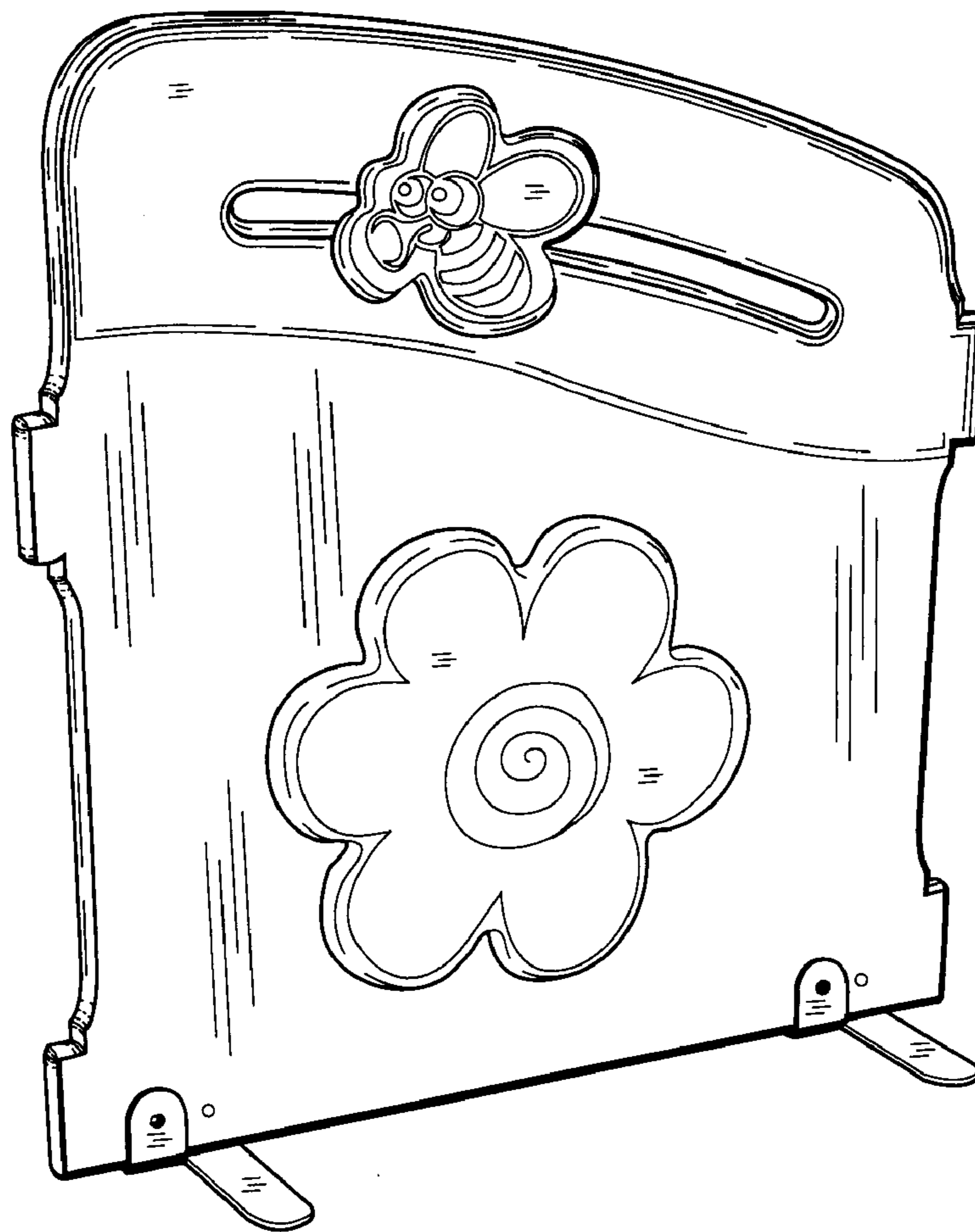


Fig. 7