



US00D511555S

(12) **United States Design Patent**
Kracke

(10) **Patent No.:** **US D511,555 S**

(45) **Date of Patent:** **** Nov. 15, 2005**

(54) **WATER TOY**

(76) **Inventor:** **Donald R. Kracke**, P.O. Box 3006,
Blue Jay, CA (US) 92317-3006

(**) **Term:** **14 Years**

(21) **Appl. No.:** **29/222,834**

(22) **Filed:** **Feb. 3, 2005**

(51) **LOC (8) Cl.** **21-02**

(52) **U.S. Cl.** **D21/801**

(58) **Field of Search** D21/801, 803,
D21/440, 441, 444, 412; D6/604; 446/153,
220, 221, 46, 48; 441/129, 66; 472/128,
129

(56) **References Cited**

U.S. PATENT DOCUMENTS

D22,121 S * 1/1893 Varnum D6/604
D256,825 S * 9/1980 Phillips D21/803
5,045,011 A * 9/1991 Lovik 446/46

5,131,879 A * 7/1992 Bouchakian 446/48
D388,490 S * 12/1997 Sikorski D21/803
5,984,753 A * 11/1999 Perez 446/46
D503,765 S * 4/2005 Klimenko D21/803

* cited by examiner

Primary Examiner—Lucy Lieberman

(74) *Attorney, Agent, or Firm*—Kelly Lowry & Kelley, LLP

(57) **CLAIM**

The ornamental design for a water toy, as shown.

DESCRIPTION

FIG. 1 is a front, top and left-side perspective view of a water toy embodying my new design;
FIG. 2 is a front elevational view thereof;
FIG. 3 is a rear elevational view thereof;
FIG. 4 is a right-side elevational view thereof;
FIG. 5 is left-side elevational view thereof;
FIG. 6 is a top plan view thereof; and,
FIG. 7 is a bottom plan view thereof.

1 Claim, 1 Drawing Sheet

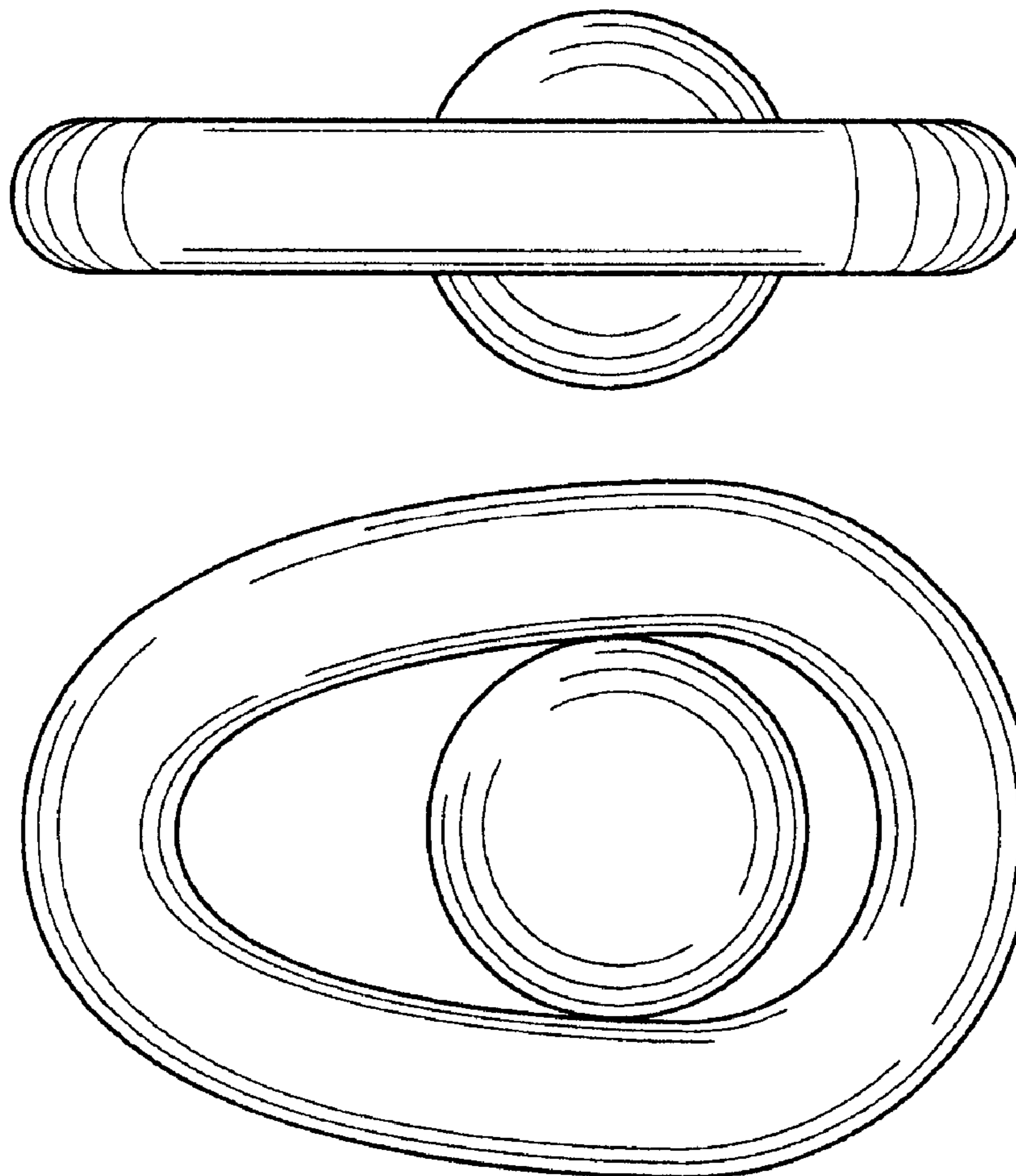


FIG. 1

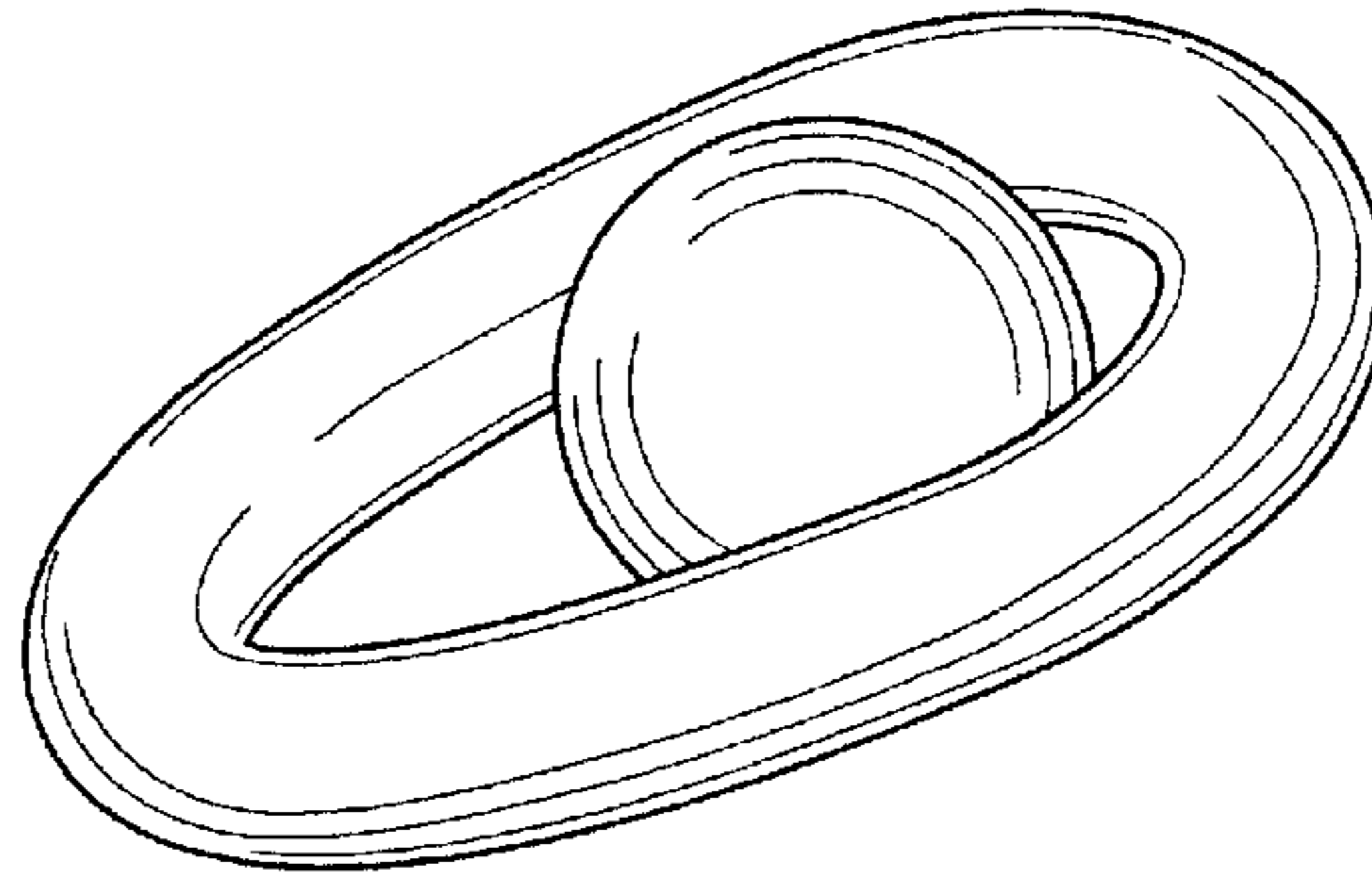


FIG. 2

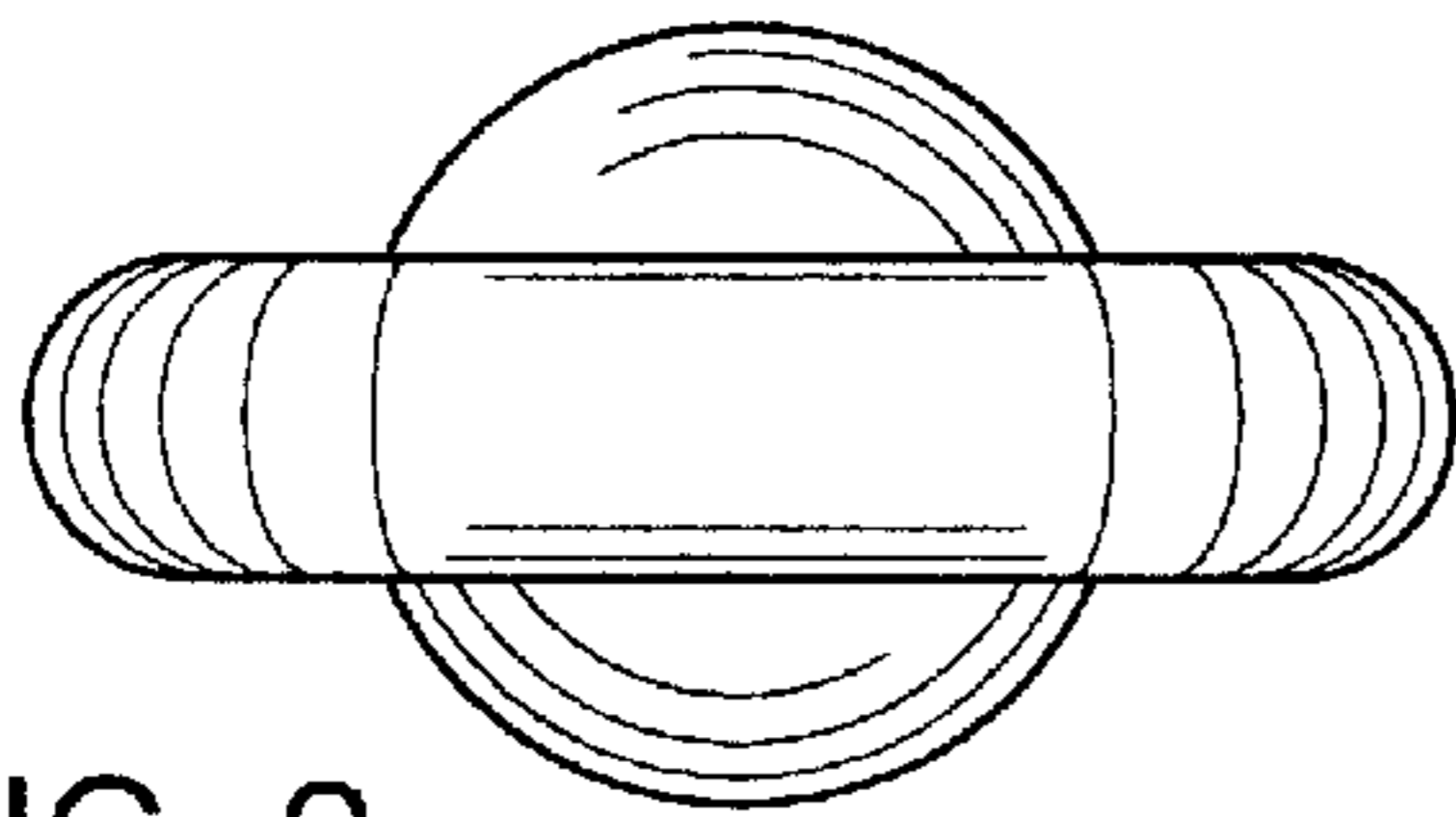


FIG. 3

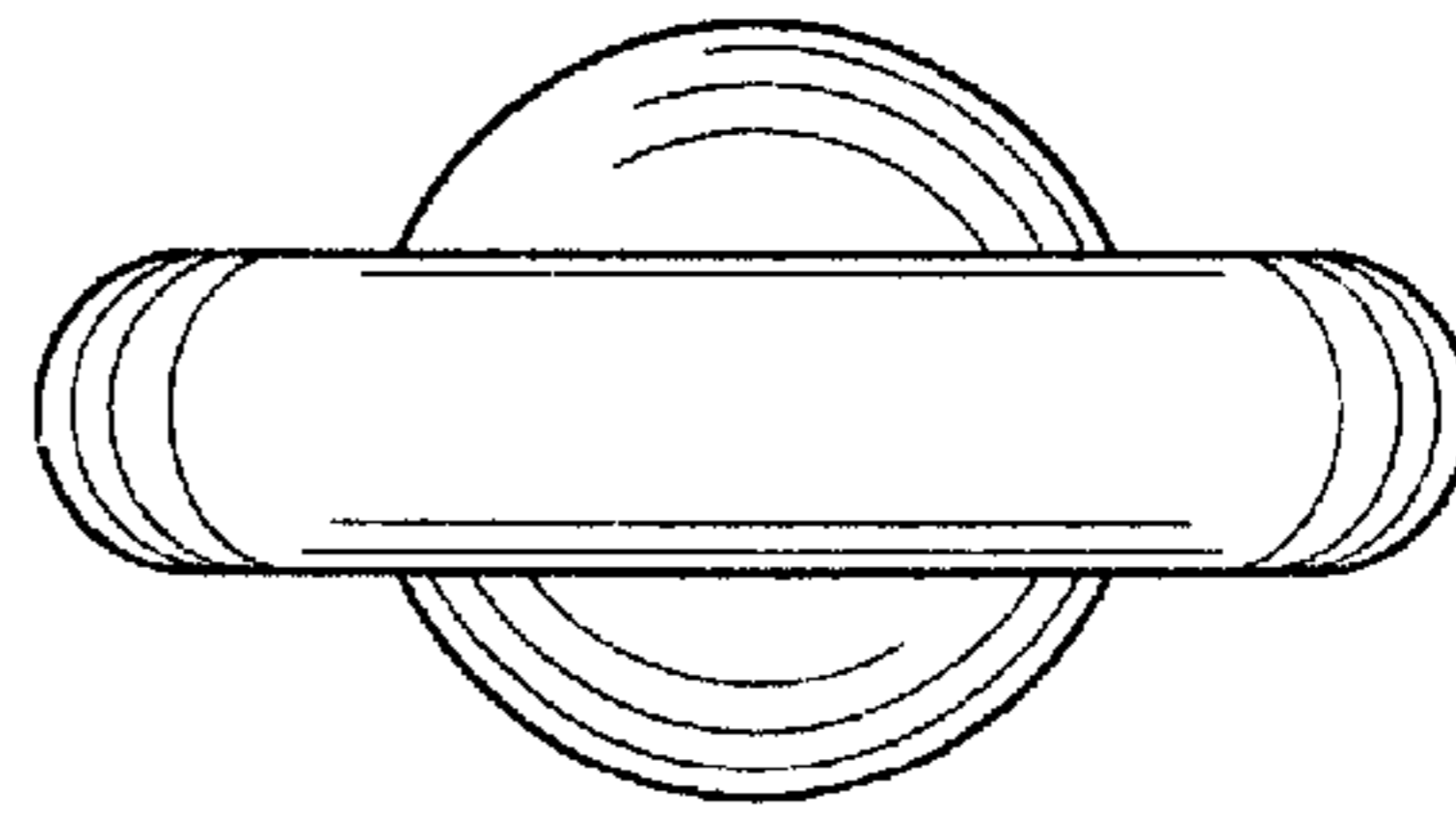


FIG. 4

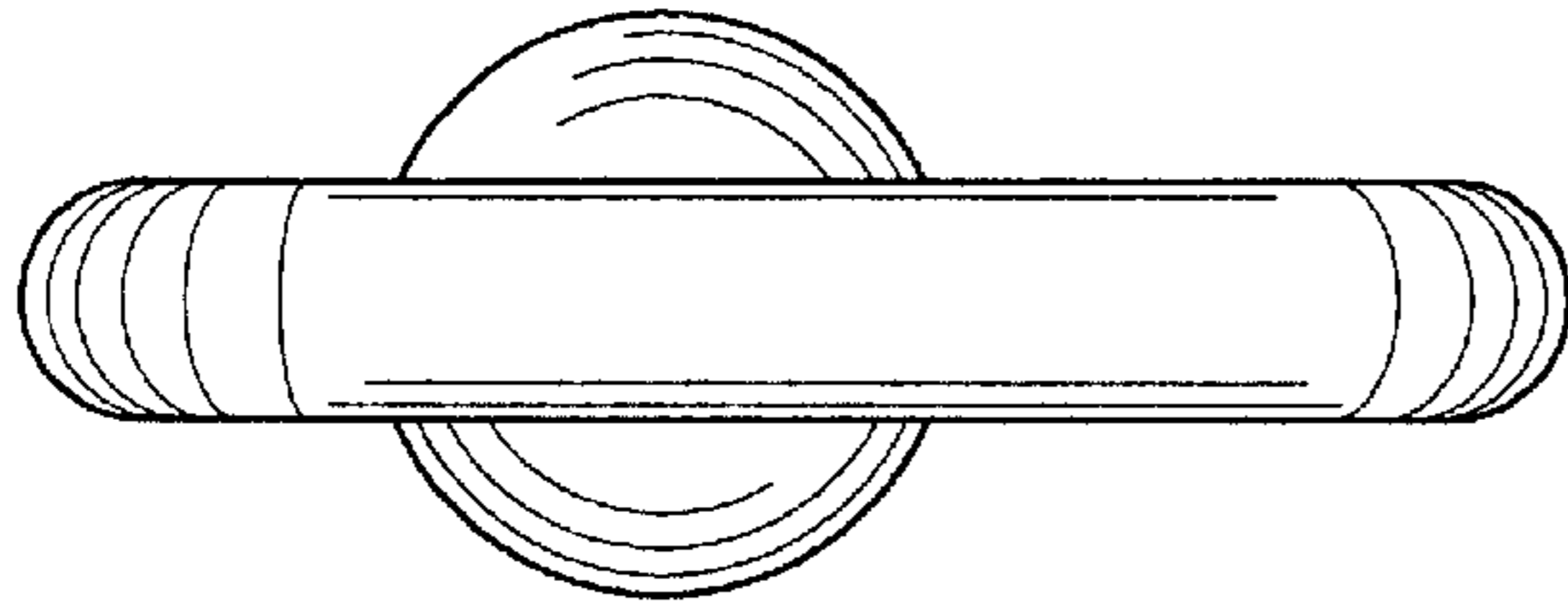


FIG. 5

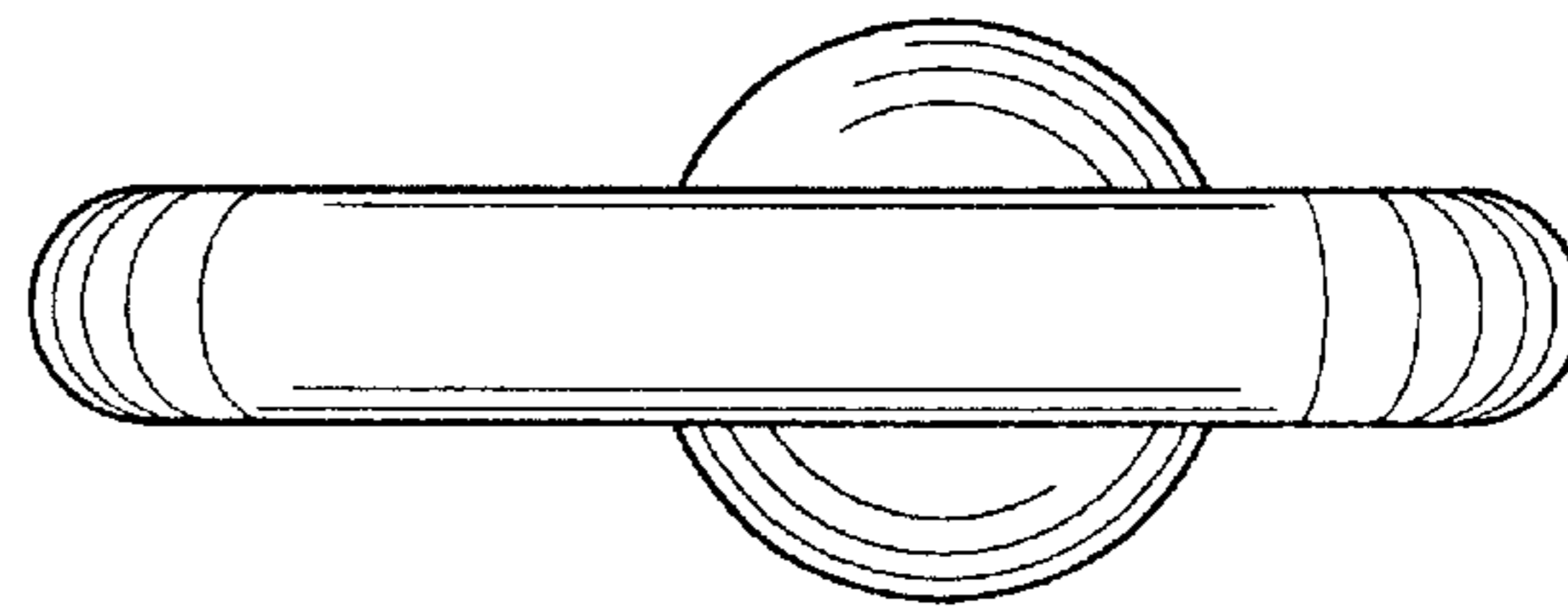


FIG. 6

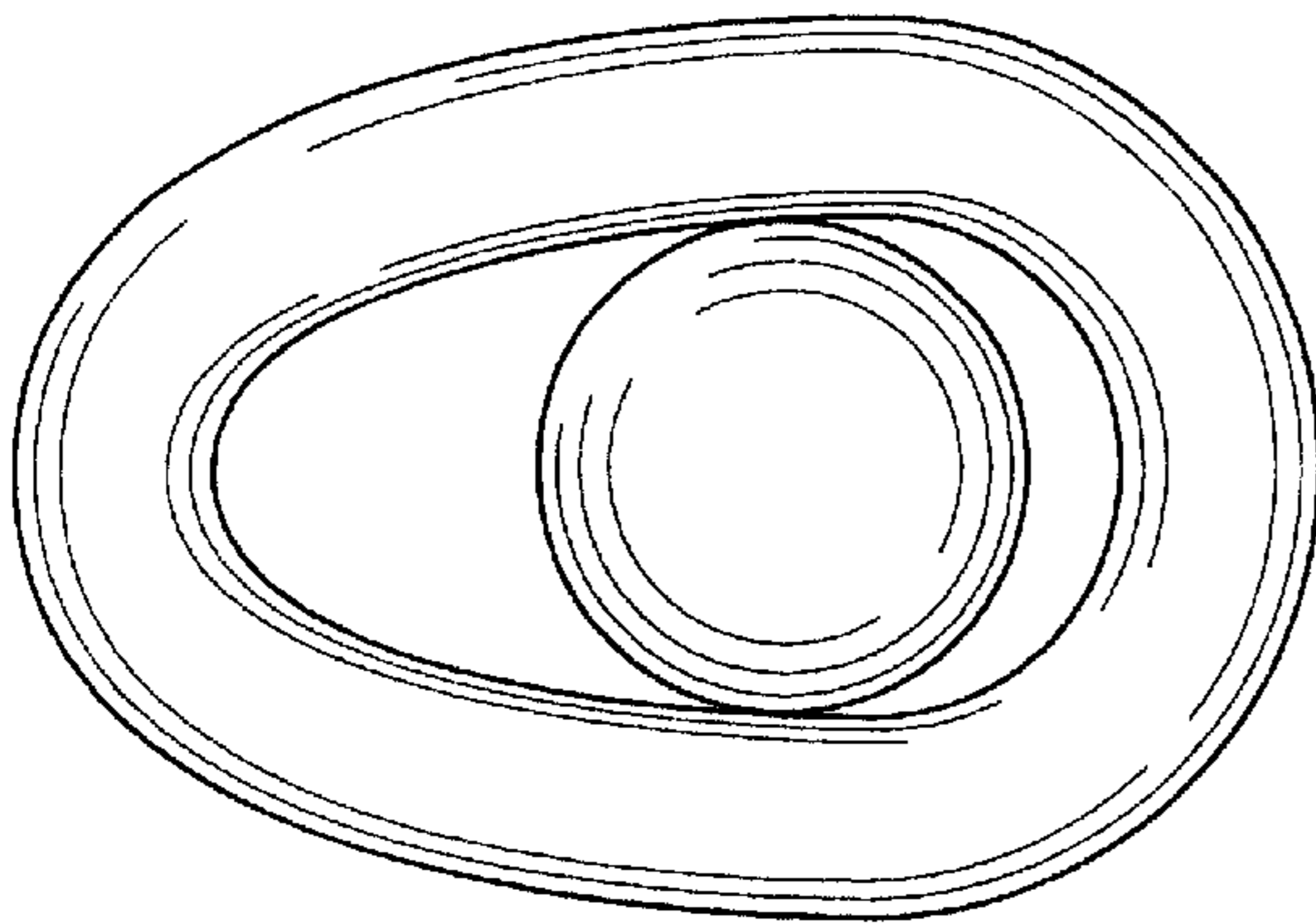


FIG. 7

