



US00D511554S

(12) **United States Design Patent**
Borel

(10) **Patent No.:** **US D511,554 S**

(45) **Date of Patent:** **** Nov. 15, 2005**

(54) **SKATE FRAME**

(75) **Inventor:** **René Borel, Saint-Sylvestre (FR)**

(73) **Assignee:** **Salomon S.A., Metz-Tessy (FR)**

(**) **Term:** **14 Years**

(21) **Appl. No.:** **29/193,945**

(22) **Filed:** **Nov. 18, 2003**

(30) **Foreign Application Priority Data**

May 19, 2003 (WO) DM/063 649

(51) **LOC (8) Cl.** **21-02**

(52) **U.S. Cl.** **D21/771**

(58) **Field of Search** D21/760-764,
D21/771-779, 841; 280/11.14, 11.221,
11.233, 11.25, 809, 811

(56) **References Cited**

U.S. PATENT DOCUMENTS

D448,825 S * 10/2001 Baron et al. D21/771

D465,538 S * 11/2002 Chen D21/771
6,527,283 B1 * 3/2003 Bonaventure 280/11.221
6,848,694 B2 * 2/2005 Benoit 280/11.221

* cited by examiner

Primary Examiner—Holly Baynham

Assistant Examiner—Cynthia M. Chin

(74) *Attorney, Agent, or Firm*—Greenblum & Bernstein,
P.L.C.

(57) **CLAIM**

I claim the ornamental design for a skate frame, as shown and described.

DESCRIPTION

FIG. 1 is a perspective view of a skate frame, showing one side, one end, and a bottom of my new design;

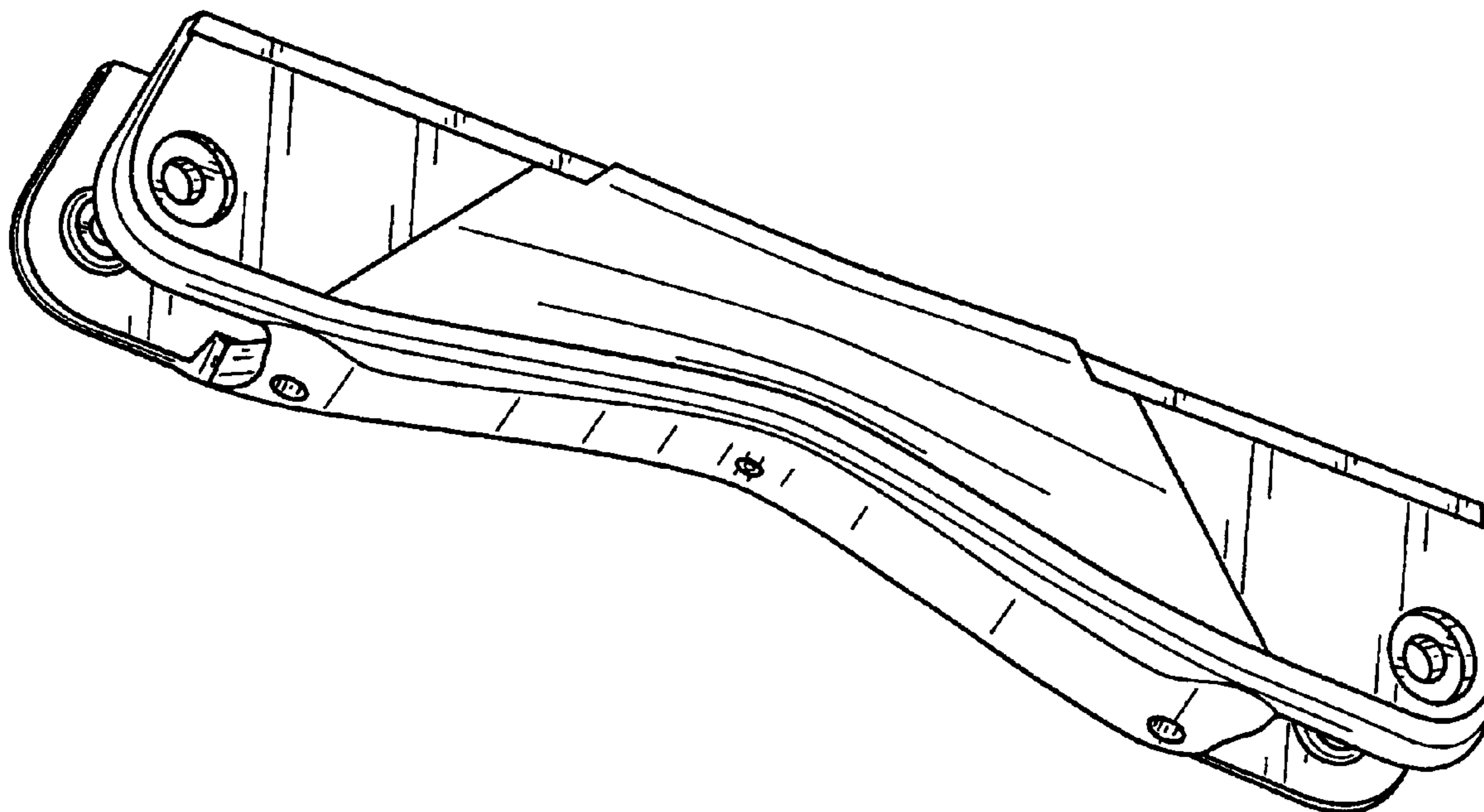
FIG. 2 is a view of a second side thereof;

FIG. 3 is a view of a second end thereof;

FIG. 4 is a top view thereof; and,

FIG. 5 is a bottom view thereof.

1 Claim, 3 Drawing Sheets



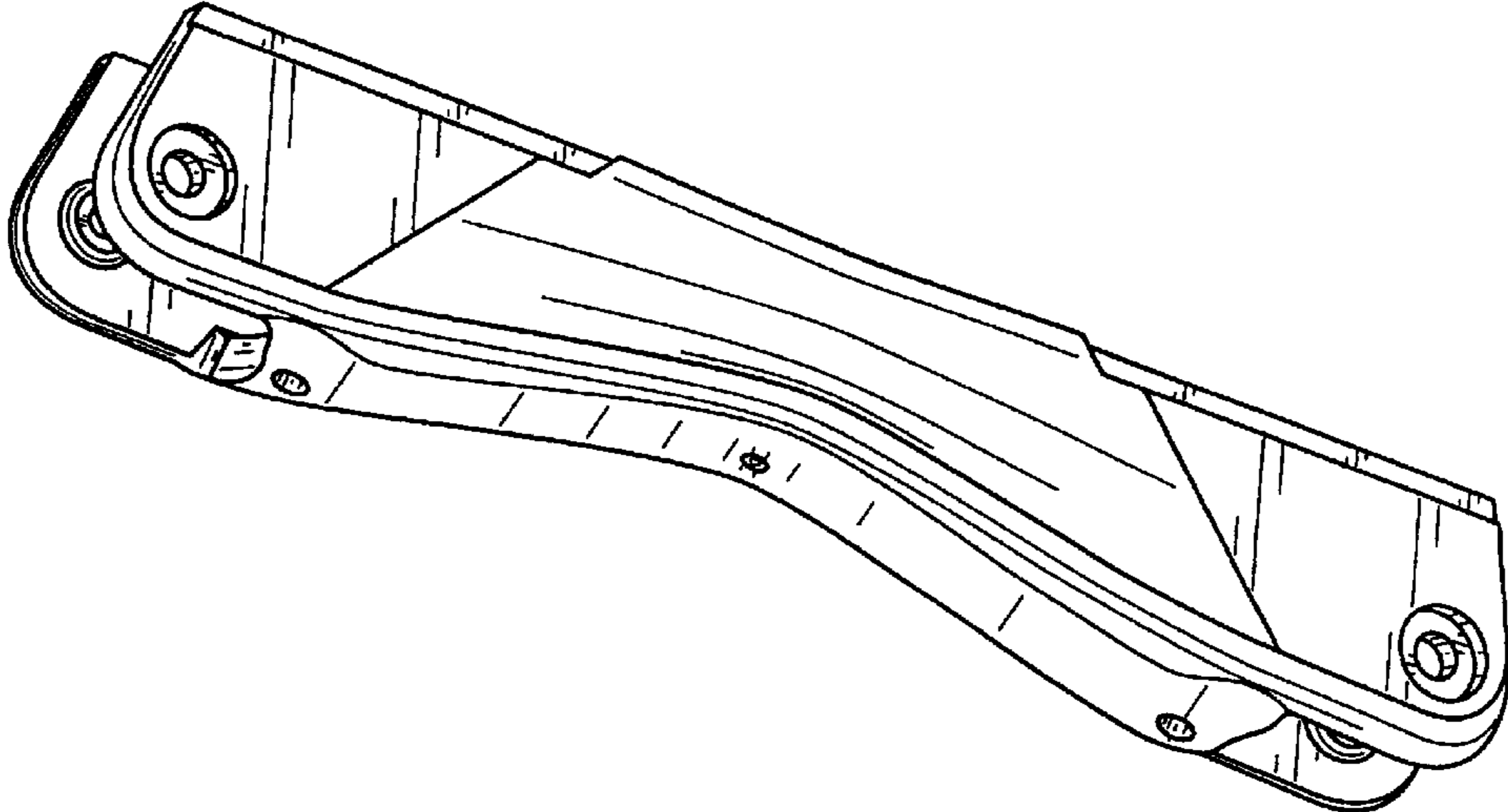


FIG. 1

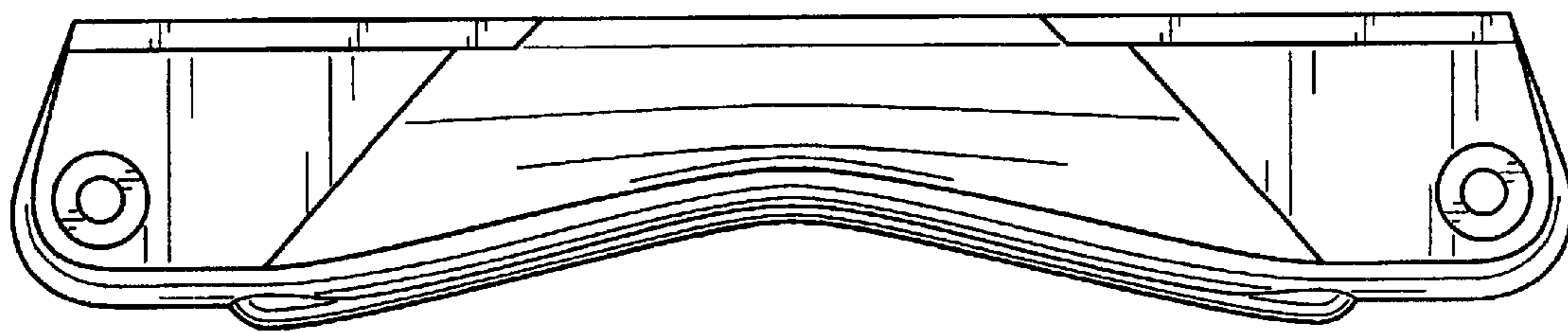


FIG. 2

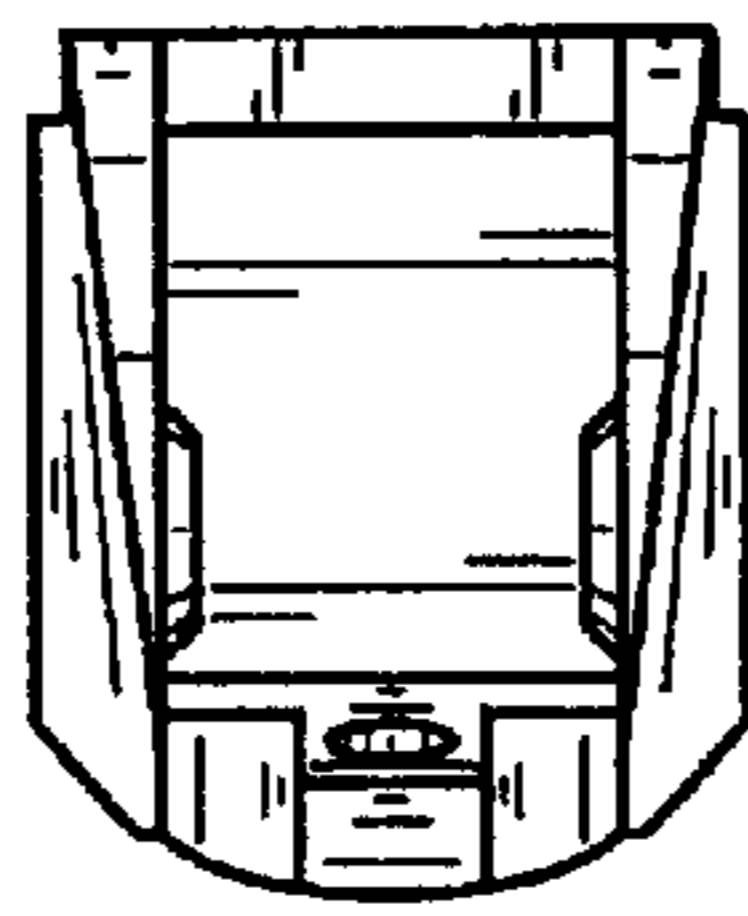


FIG. 3

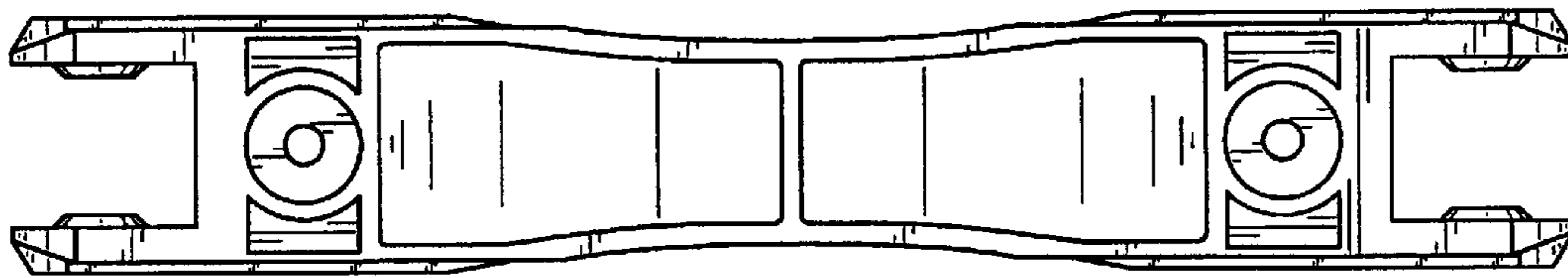


FIG. 4

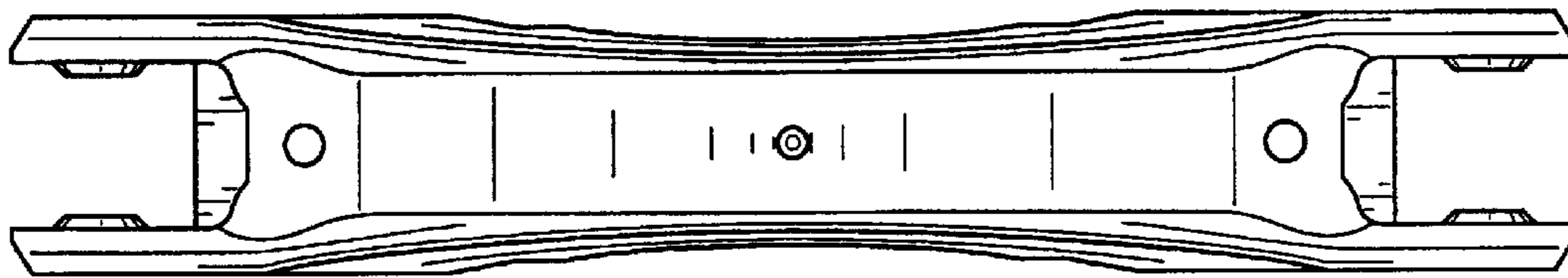


FIG. 5