



US00D511546S

(12) **United States Design Patent**  
**Trombly**

(10) **Patent No.:** **US D511,546 S**

(45) **Date of Patent:** **\*\* Nov. 15, 2005**

(54) **STATIONERY HOLDER**

(75) **Inventor:** **Edgar F. Trombly**, Grosse Pointe Farms, MI (US)

(73) **Assignee:** **Punch Products USA, Inc.**, Rahway, NJ (US)

(\*\*) **Term:** **14 Years**

(21) **Appl. No.:** **29/213,688**

(22) **Filed:** **Sep. 21, 2004**

(51) **LOC (8) Cl.** ..... **19-06**

(52) **U.S. Cl.** ..... **D19/77; D19/85**

(58) **Field of Search** ..... **D7/640, 641; D19/35, D19/36, 65, 75, 77, 78, 81-85, 95, 99-100, 20-25; 206/214, 224, 371; 211/69.1-69.9**

(56) **References Cited**

**U.S. PATENT DOCUMENTS**

- D118,411 S \* 1/1940 Dolgorukov ..... D19/85
- 3,327,688 A \* 6/1967 Smith ..... 206/214
- D264,224 S \* 5/1982 Henkels ..... D19/75
- D311,213 S \* 10/1990 Ancona et al. .... D19/95

- D323,853 S \* 2/1992 Evenson ..... D19/77
- D328,472 S \* 8/1992 Ancona et al. .... D19/85
- 5,224,594 A \* 7/1993 Hou ..... 206/214
- D364,189 S \* 11/1995 Trombly ..... D19/77
- D430,215 S \* 8/2000 Trombly ..... D19/99
- D477,636 S \* 7/2003 Chen ..... D19/85

\* cited by examiner

*Primary Examiner*—Martie K. Holtje

(74) *Attorney, Agent, or Firm*—Howard C. Miskin; Gloria Tsui-Yip

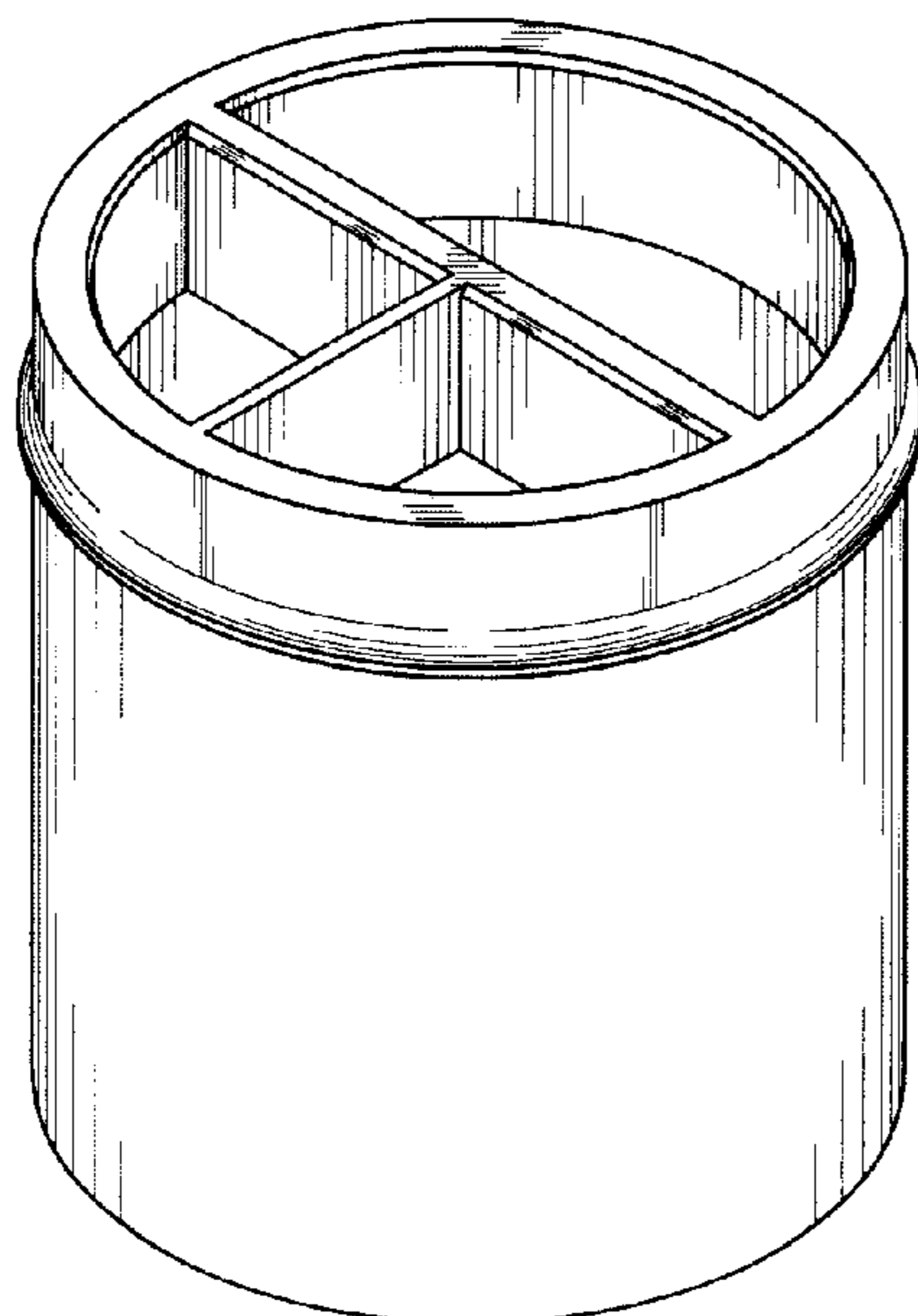
(57) **CLAIM**

The ornamental design for a stationery holder, as shown and described.

**DESCRIPTION**

FIG. 1 is a perspective view of my new design;  
 FIG. 2 is a front elevational view, the rear elevational, left and right side views being identical;  
 FIG. 3 is a top plan view thereof;  
 FIG. 4 is a bottom plan view thereof; and,  
 FIG. 5 is a cross-sectional view of FIG. 2 thereof.

**1 Claim, 4 Drawing Sheets**



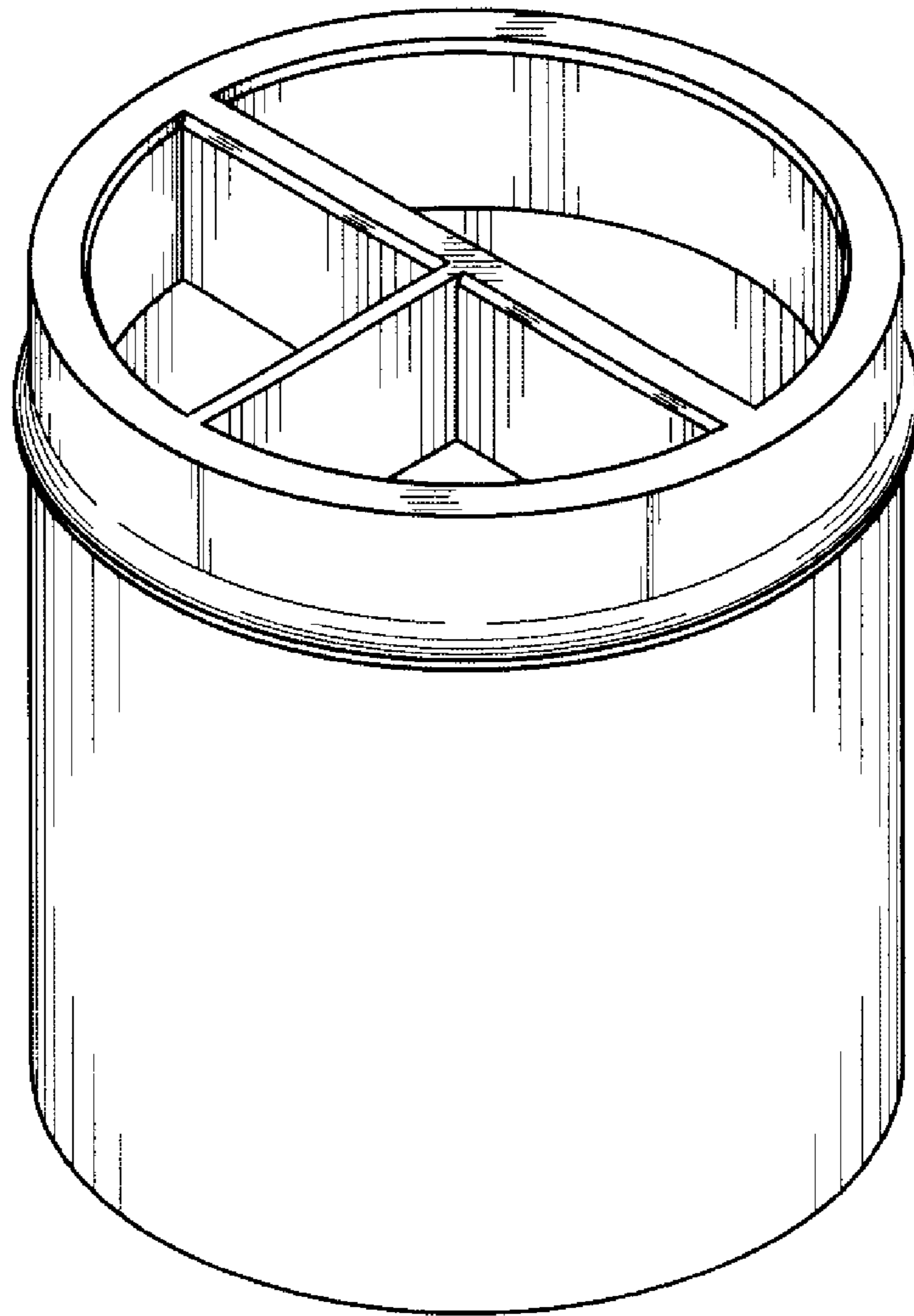


FIG. 1

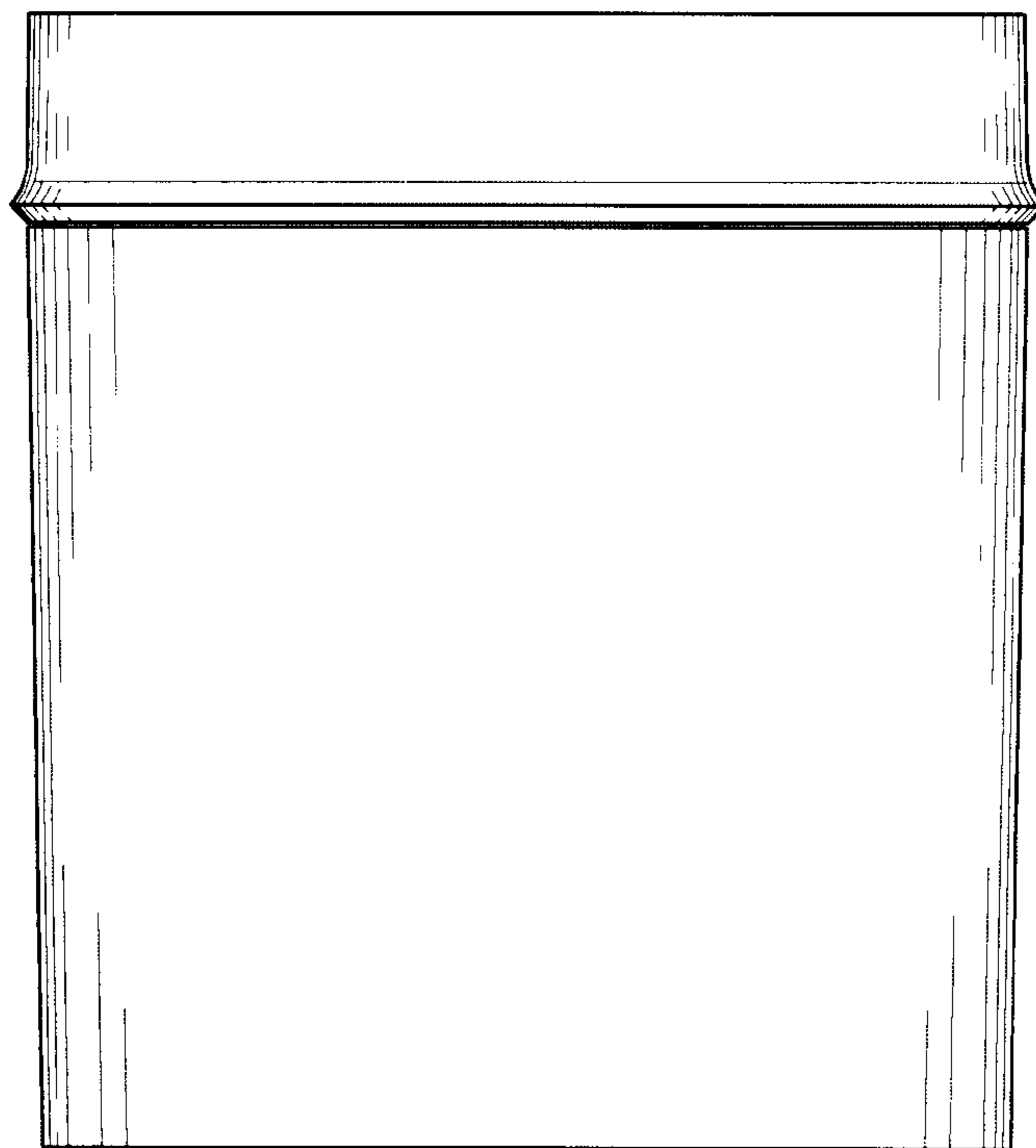


FIG. 2

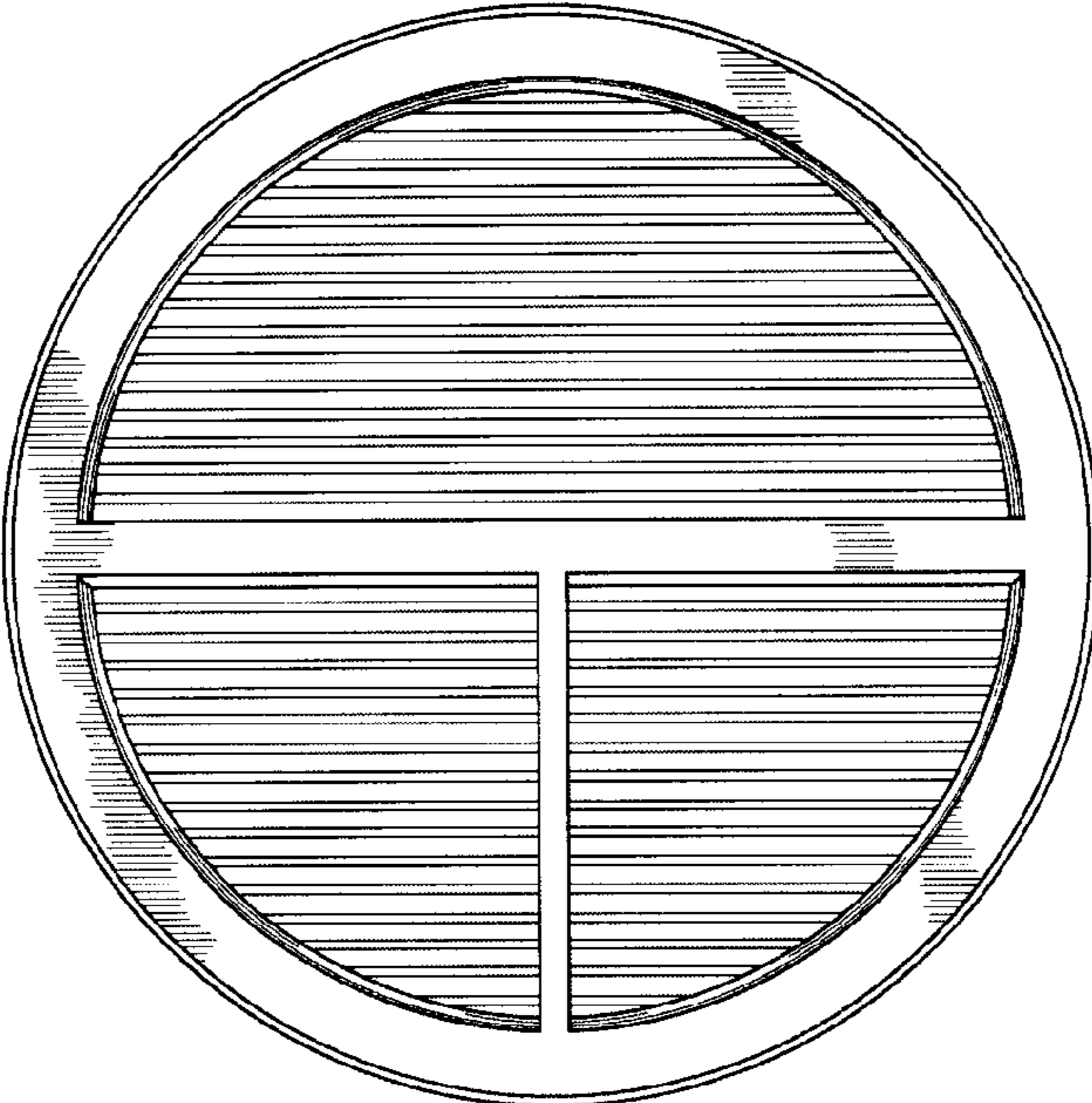


FIG. 3

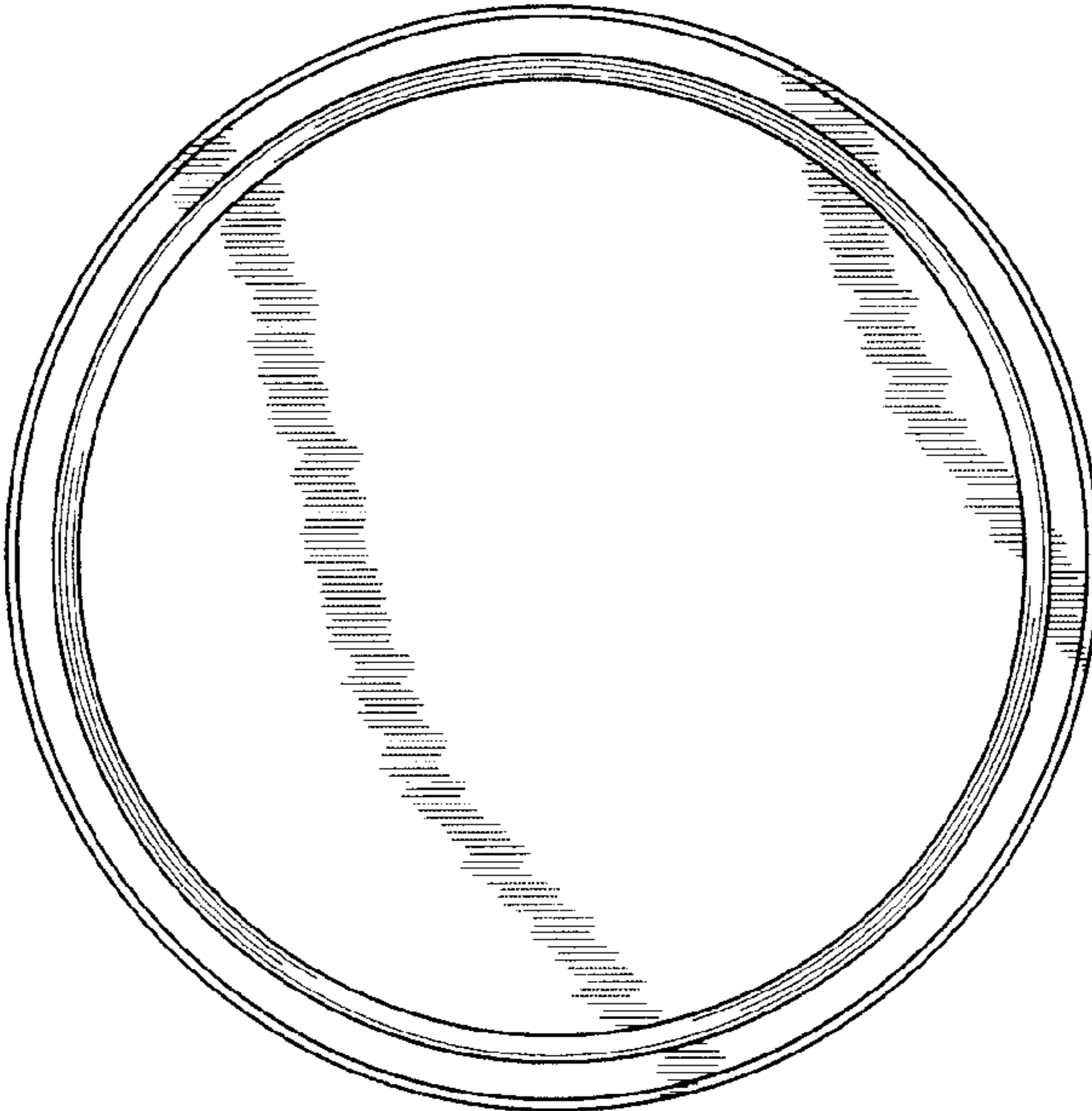


FIG. 4

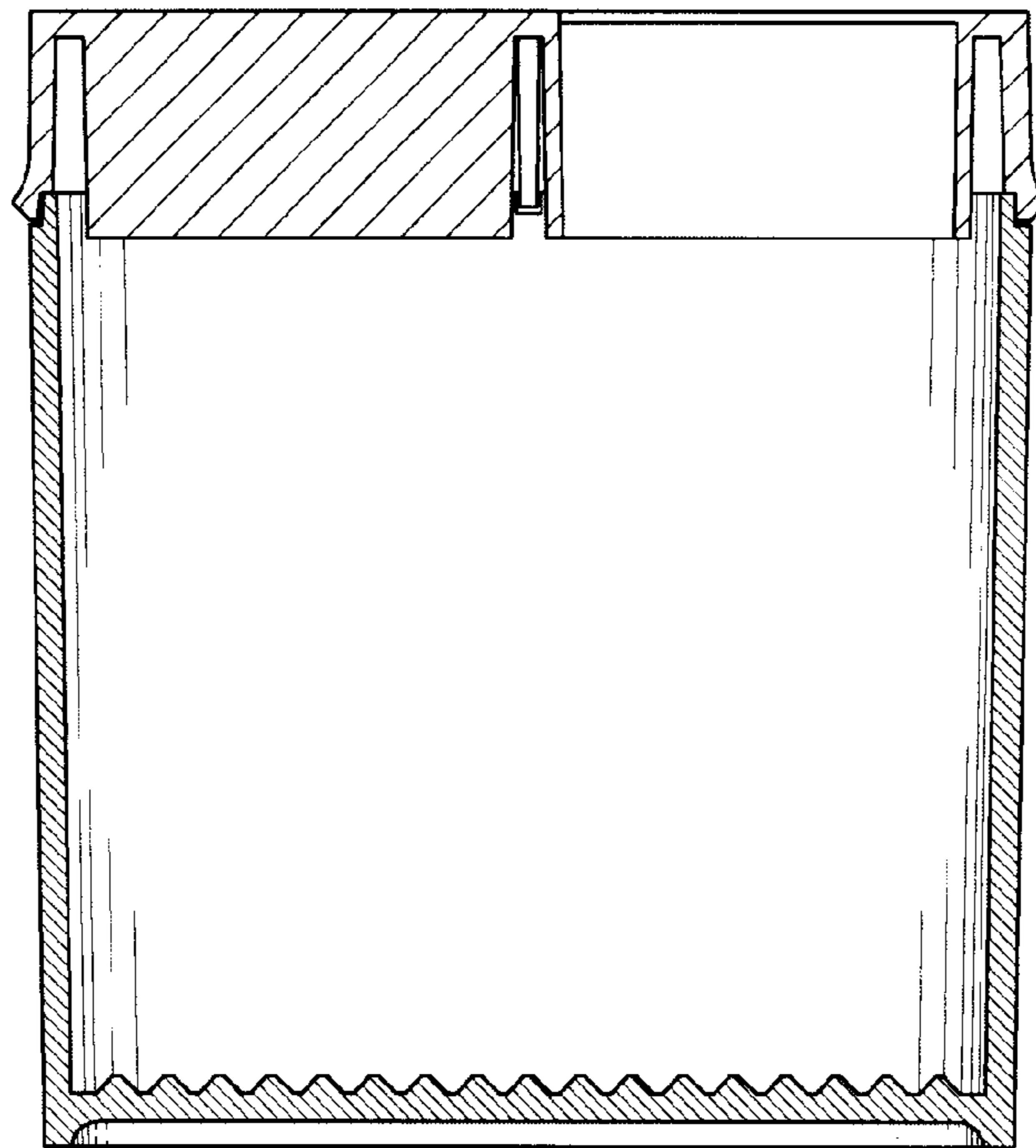


FIG. 5