



US00D511542S

(12) **United States Design Patent**
Ishii et al.

(10) **Patent No.:** **US D511,542 S**

(45) **Date of Patent:** **** Nov. 15, 2005**

(54) **TONER CARTRIDGE**

(75) Inventors: **Makoto Ishii**, Nagoya (JP); **Hiroshi Tokuda**, Nagoya (JP); **Hiroki Mori**, Nagoya (JP)

(73) Assignee: **Brother Industries, Ltd.**, Nagoya (JP)

(**) Term: **14 Years**

(21) Appl. No.: **29/199,278**

(22) Filed: **Feb. 12, 2004**

(30) **Foreign Application Priority Data**

Aug. 12, 2003 (JP) 2003-023554

(51) **LOC (8) Cl.** **16-03**

(52) **U.S. Cl.** **D18/43**

(58) **Field of Search** D18/40, 43, 56;
222/DIG. 1; 399/16, 23-31, 75, 81, 109-125,
151, 222, 252-262, 310, 361, 377, 378,
392, 393

(56) **References Cited**

U.S. PATENT DOCUMENTS

- D309,323 S * 7/1990 Craft et al. D18/40
- D356,331 S * 3/1995 Ishibashi et al. D18/43
- D401,615 S * 11/1998 Goto et al. D18/40
- D418,156 S * 12/1999 Maeda D18/43
- D422,304 S 4/2000 Suzuki et al.
- D423,559 S 4/2000 Suzuki et al.
- D438,891 S * 3/2001 Hoshino et al. D18/40

- D442,216 S 5/2001 Kimura et al.
- D447,511 S 9/2001 Kimura et al.
- D460,980 S * 7/2002 Matsuzaki et al. D18/40
- D464,671 S * 10/2002 Tanda D18/43
- D471,228 S 3/2003 Okabe et al.
- D471,583 S 3/2003 Okabe et al.
- 2003/0161657 A1 * 8/2003 Yokoi et al. 399/119

* cited by examiner

Primary Examiner—Caron D. Veynar

(74) *Attorney, Agent, or Firm*—Oliff & Berridge, PLC

(57) **CLAIM**

The ornamental design for a toner cartridge, as shown and described.

DESCRIPTION

FIG. 1 is a Front Elevation View of a toner cartridge of the present invention;
 FIG. 2 is a Top Plan View thereof;
 FIG. 3 is a Right Side View thereof;
 FIG. 4 is a Left Side View thereof;
 FIG. 5 is a Rear Elevation View thereof;
 FIG. 6 is a Bottom Plan View thereof;
 FIG. 7 is a top perspective view thereof;
 FIG. 8 is a bottom perspective view thereof; and,
 FIG. 9 is an enlarged cross section view taken along line 9—9 in FIG. 2.

The broken lines are for purposes of illustration only and form no part of the claimed design.

1 Claim, 6 Drawing Sheets

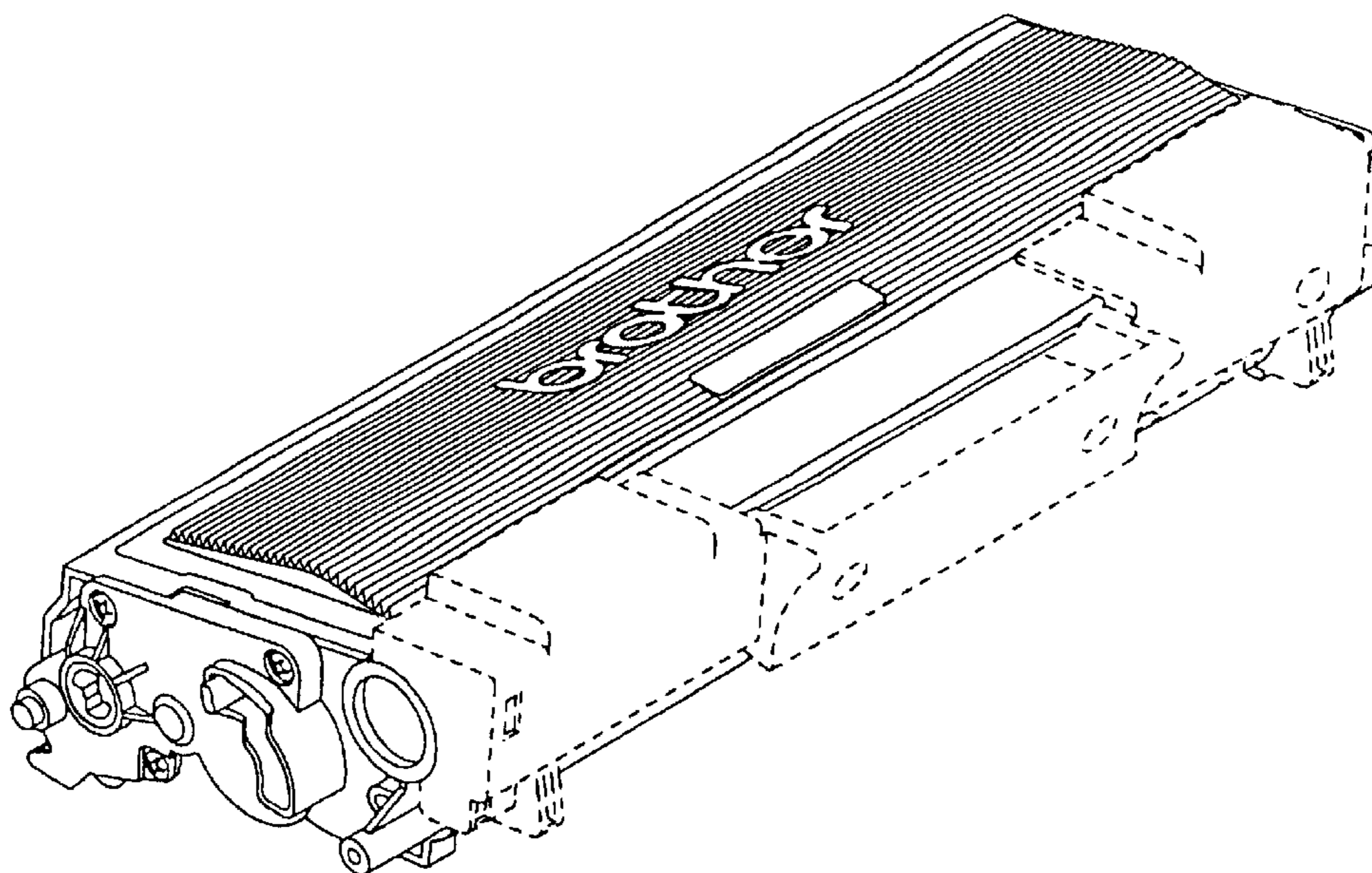


Fig. 1

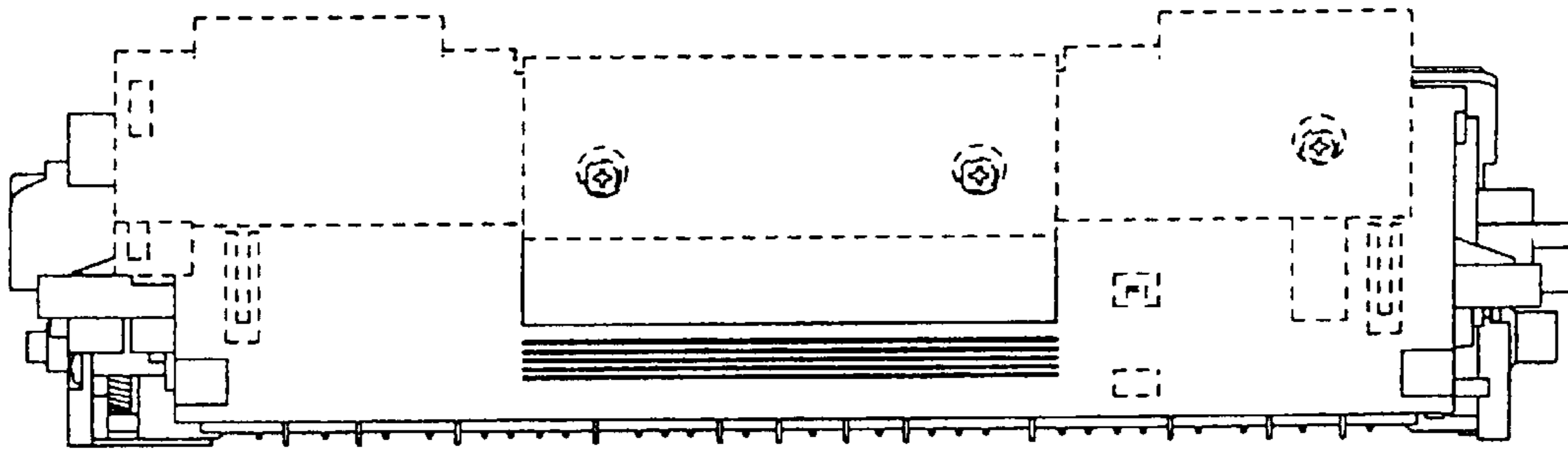


Fig. 2

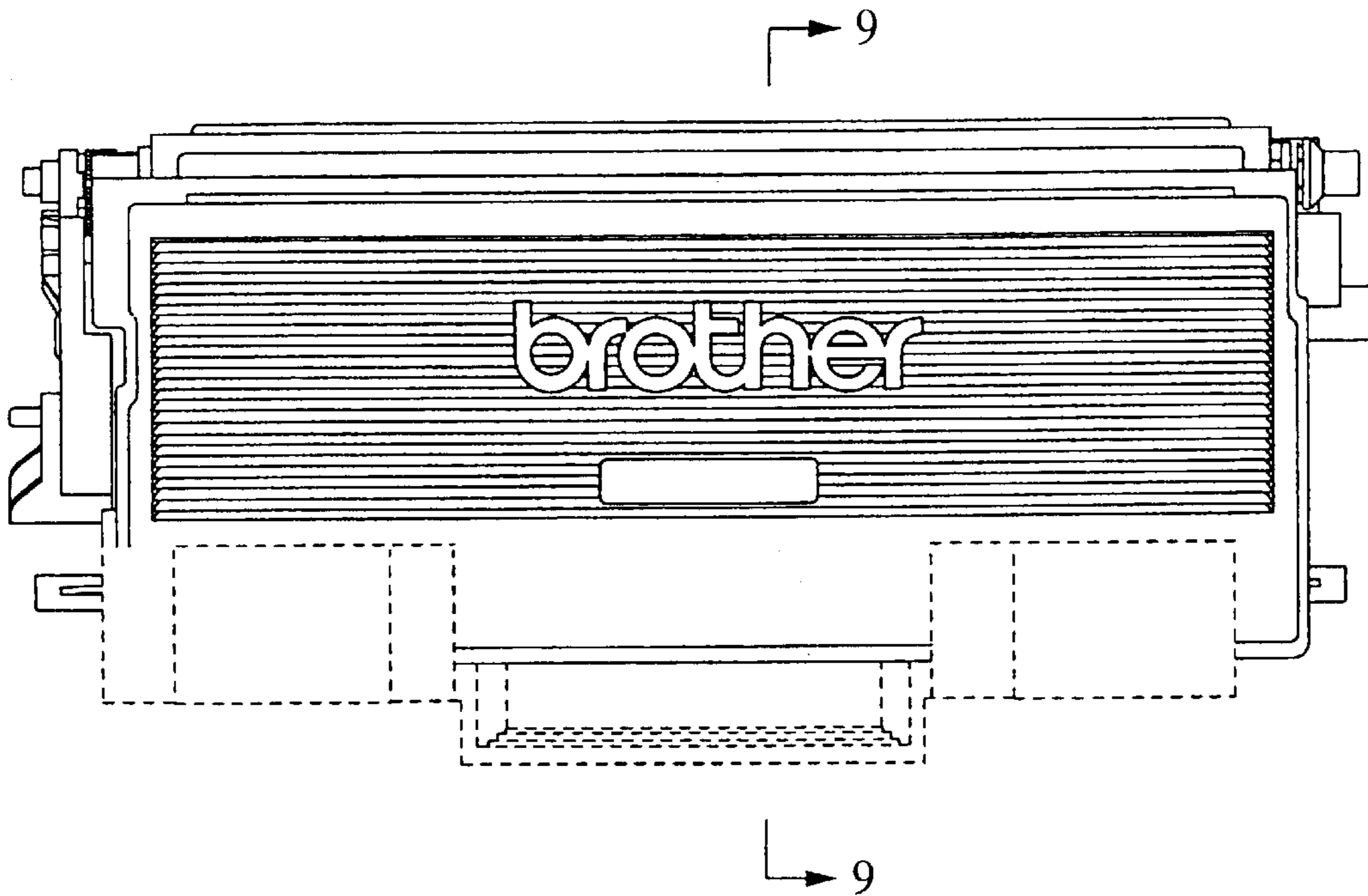


Fig. 3

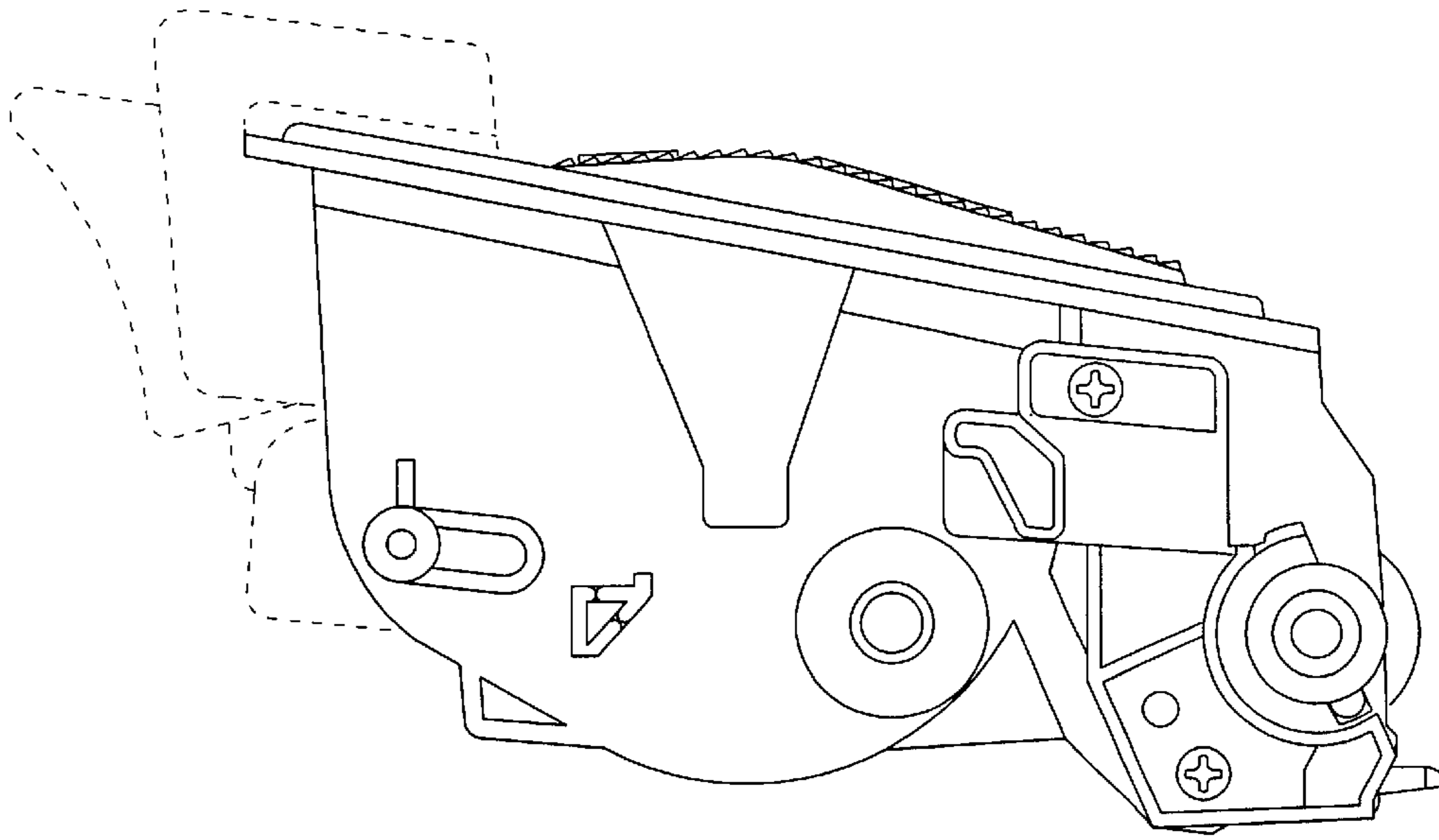


Fig. 4

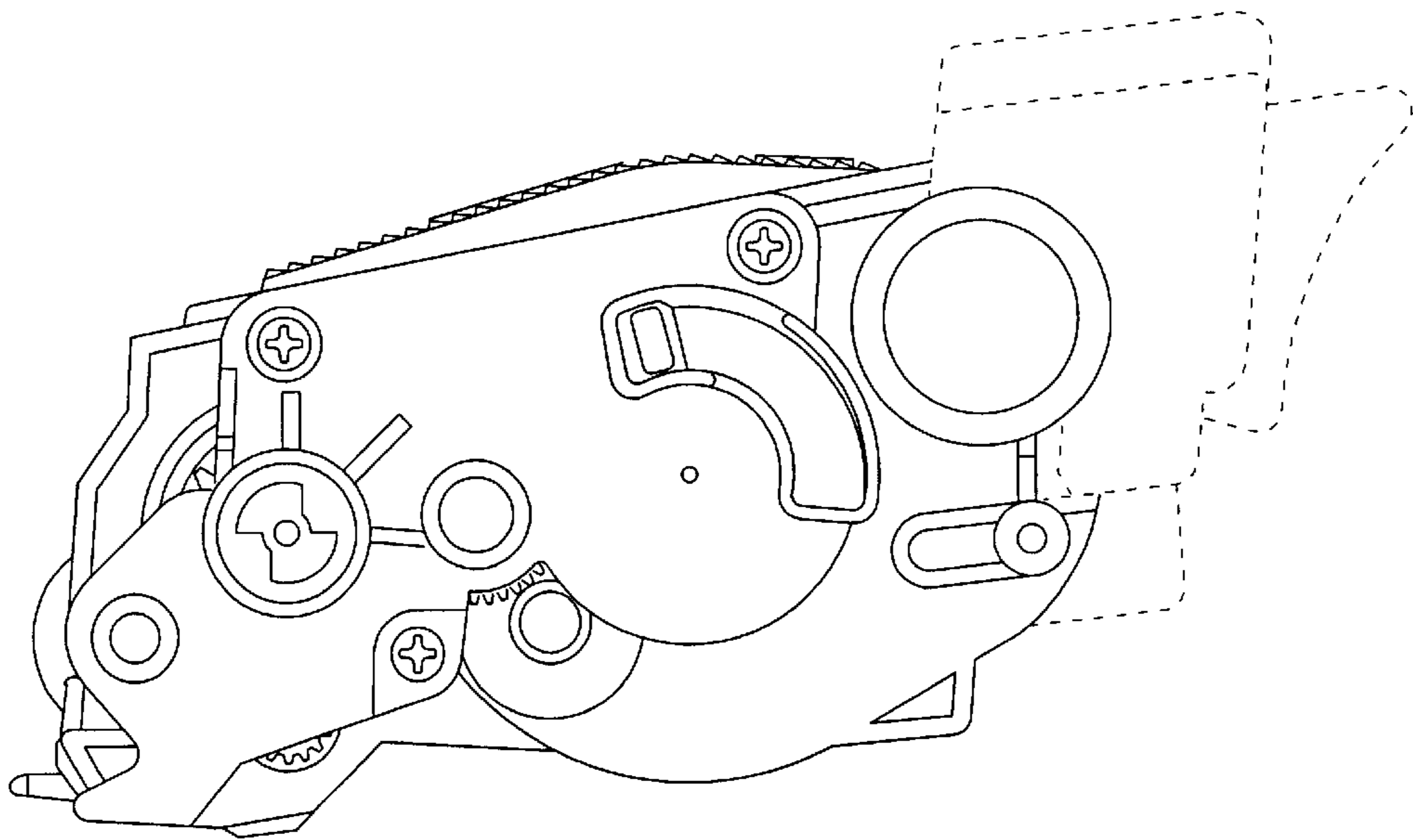


Fig. 5

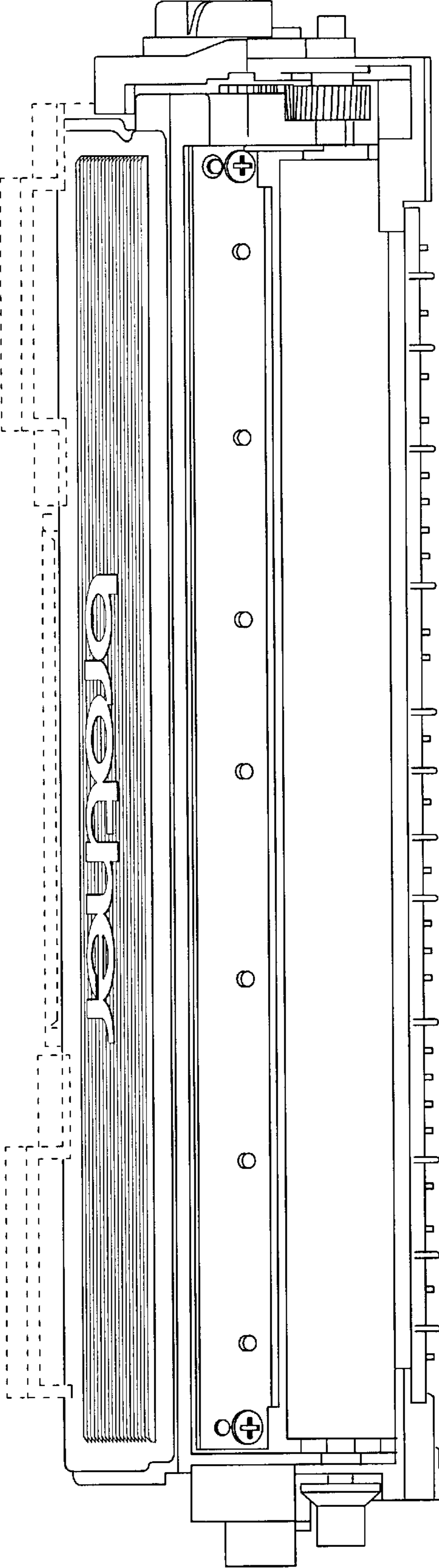


Fig. 6

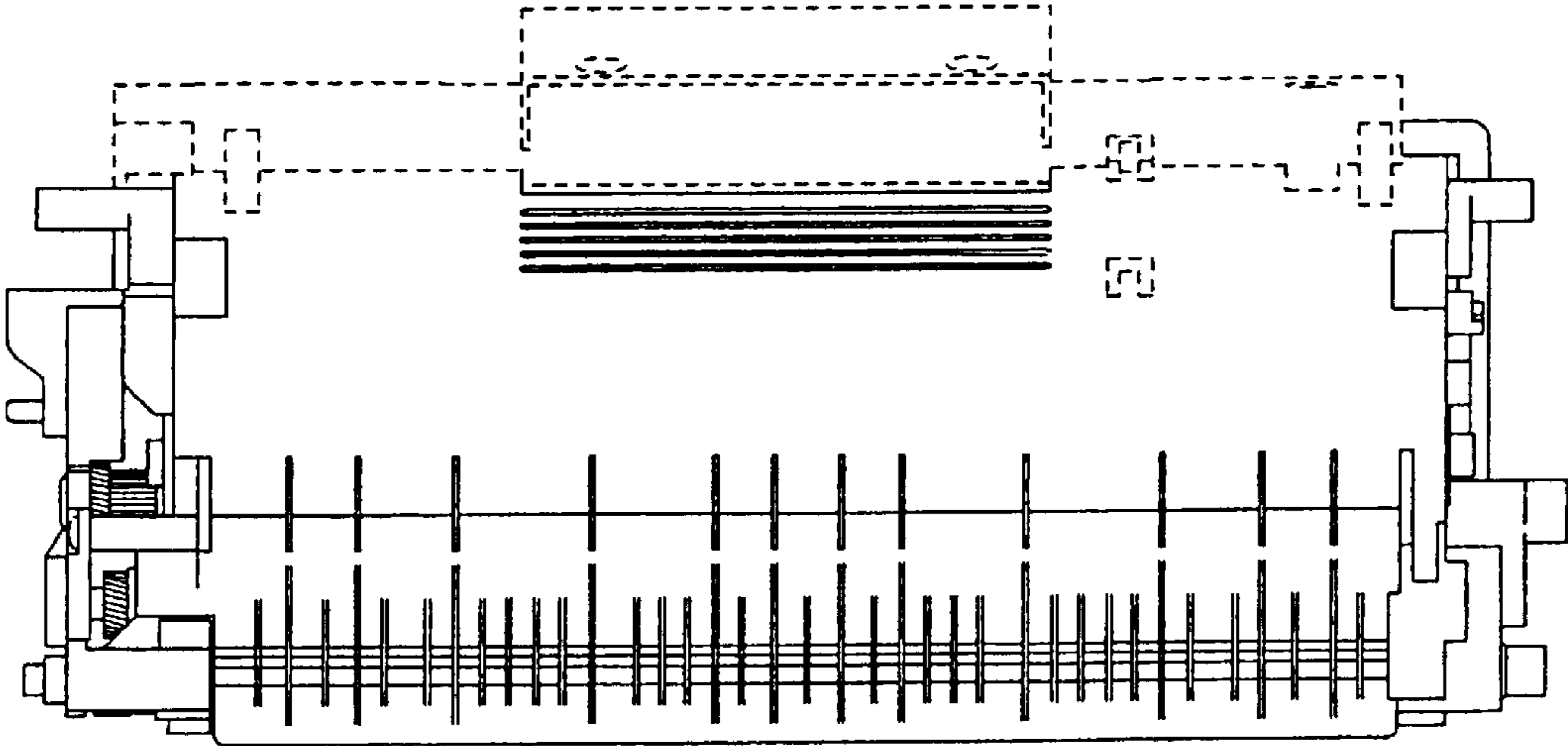


Fig. 7

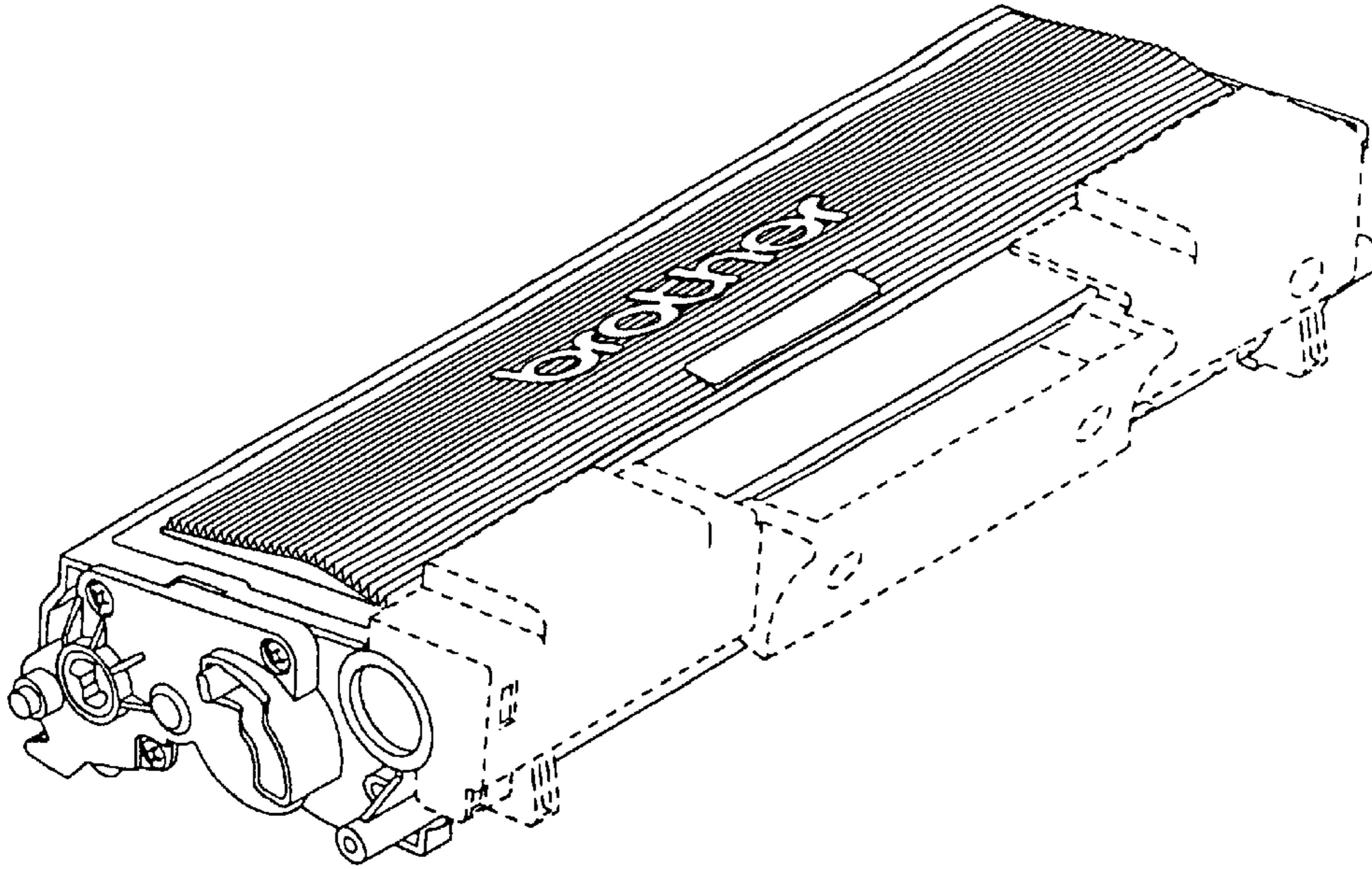


Fig. 8

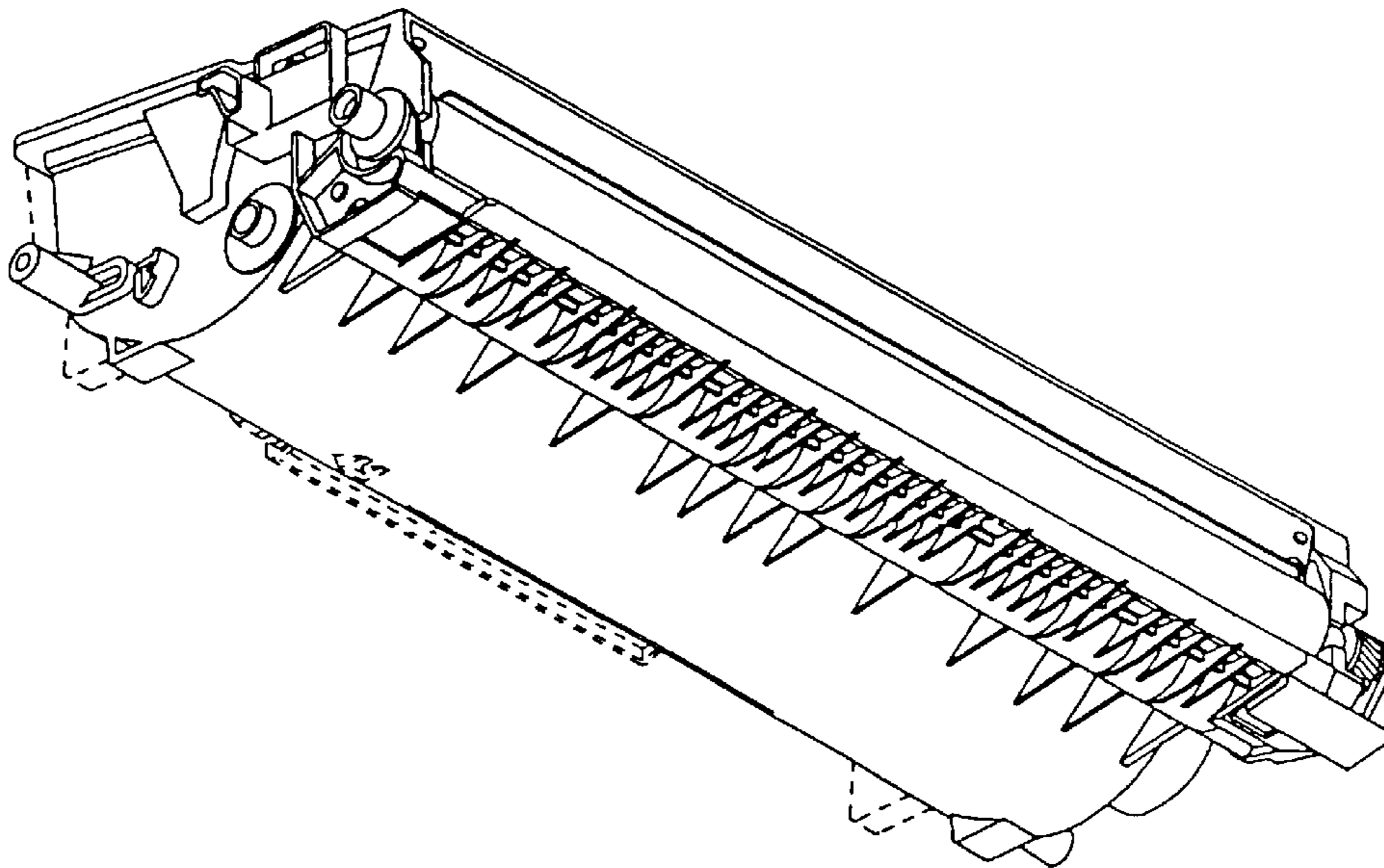


Fig. 9

