



US00D511538S

(12) **United States Design Patent**
Hayamizu

(10) **Patent No.:** **US D511,538 S**
(45) **Date of Patent:** **** Nov. 15, 2005**

(54) **BINOCULARS**

D502,718 S * 3/2005 Matsushita D16/133

(75) Inventor: **Eiji Hayamizu**, Tokyo (JP)

(73) Assignee: **PENTAX Corporation**, Tokyo (JP)

(**) Term: **14 Years**

(21) Appl. No.: **29/210,832**

(22) Filed: **Aug. 9, 2004**

(30) **Foreign Application Priority Data**

Feb. 9, 2004 (JP) 2004-003210

(51) **LOC (8) Cl.** **16-06**

(52) **U.S. Cl.** **D16/133**

(58) **Field of Search** D16/130, 132,
D16/133; 359/407, 408, 409, 410, 411,
412, 413, 414, 415, 416, 417, 418, 419,
420

(56) **References Cited**

U.S. PATENT DOCUMENTS

D306,606 S	*	3/1990	Yamanaka et al.	D16/133
D360,215 S	*	7/1995	Moro et al.	D16/133
D375,106 S	*	10/1996	Matsuda et al.	D16/133
D376,167 S	*	12/1996	Hayamizu	D16/133
D395,905 S	*	7/1998	Hamamura	D16/133
D418,850 S	*	1/2000	Lee	D16/133
D421,997 S	*	3/2000	Kawahata	D16/133
D430,586 S	*	9/2000	Inaba	D16/133
D457,541 S	*	5/2002	Hayashi	D16/133
D473,247 S	*	4/2003	Koinuma	D16/133

OTHER PUBLICATIONS

U.S. Appl. No. 29/210,850, filed Aug. 9, 2004, Hayamizu.
U.S. Appl. No. 29/210,864, filed Aug. 9, 2004, Hayamizu.
U.S. Appl. No. 29/210,833, filed Aug. 9, 2004, Hayamizu.
U.S. Appl. No. 29/210,834, filed Aug. 9, 2004, Hayamizu.
U.S. Appl. No. 29/210,836, filed Aug. 9, 2004, Hayamizu.
U.S. Appl. No. 29/210,835, filed Aug. 9, 2004, Hayamizu.
U.S. Appl. No. 29/210,856, filed Aug. 9, 2004, Hayamizu.
U.S. Appl. No. 29/210,861, filed Aug. 9, 2004, Hayamizu.

* cited by examiner

Primary Examiner—Paula A. Greene

(74) *Attorney, Agent, or Firm*—Sughrue Mion, PLLC

(57) **CLAIM**

The ornamental design for binoculars, as shown and described.

DESCRIPTION

FIG. 1 is a perspective view of the top, front and right side of binoculars showing my new design; FIG. 2 is a front elevational view thereof; FIG. 3 is a rear elevational view thereof; FIG. 4 is a right side elevational view thereof; FIG. 5 is a left side elevational view thereof; FIG. 6 is a top plan view thereof; and, FIG. 7 is a bottom plan view thereof.

The elements shown in broken lines are for illustrative purposes only and form no part of the claimed design.

1 Claim, 5 Drawing Sheets

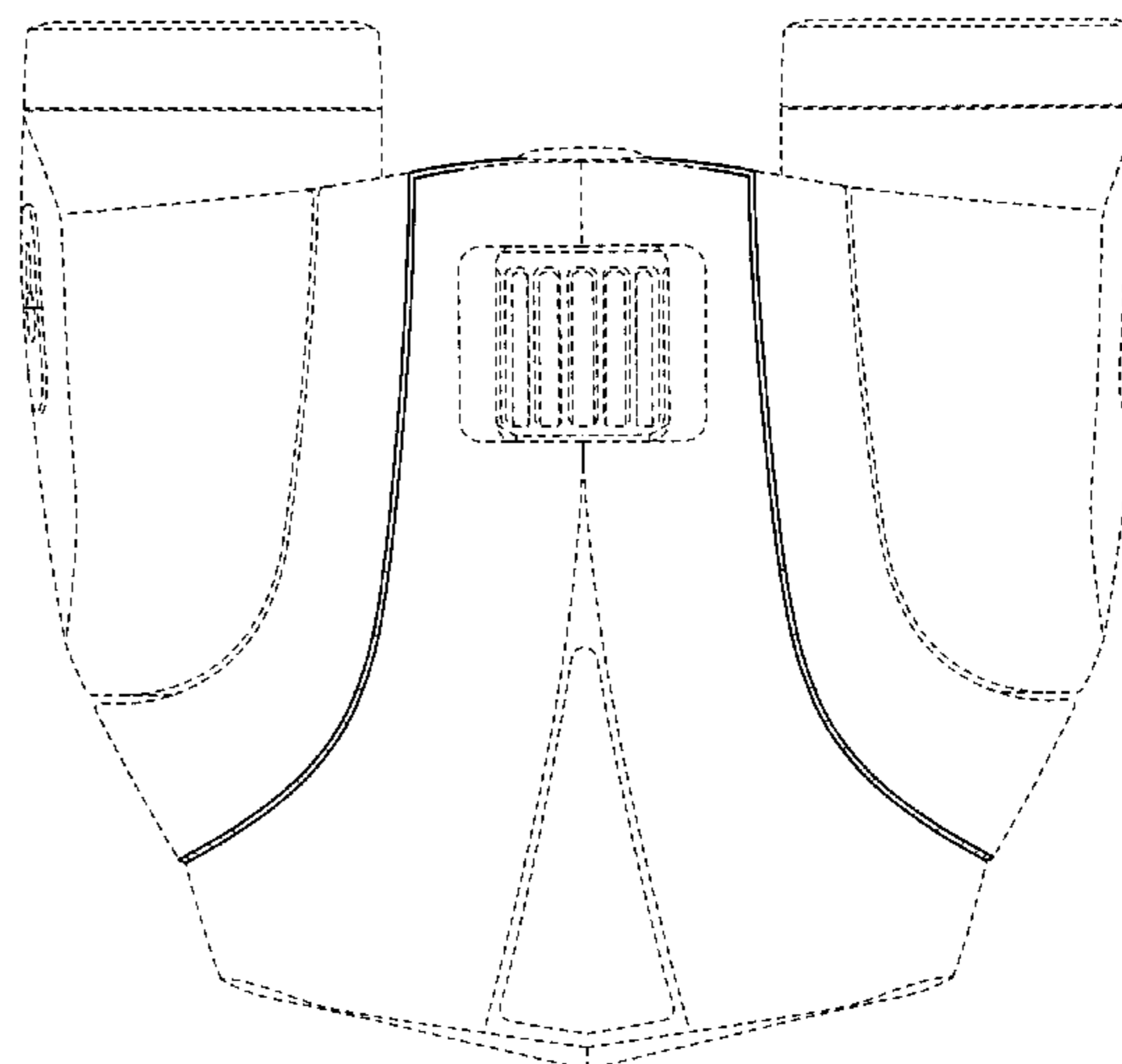
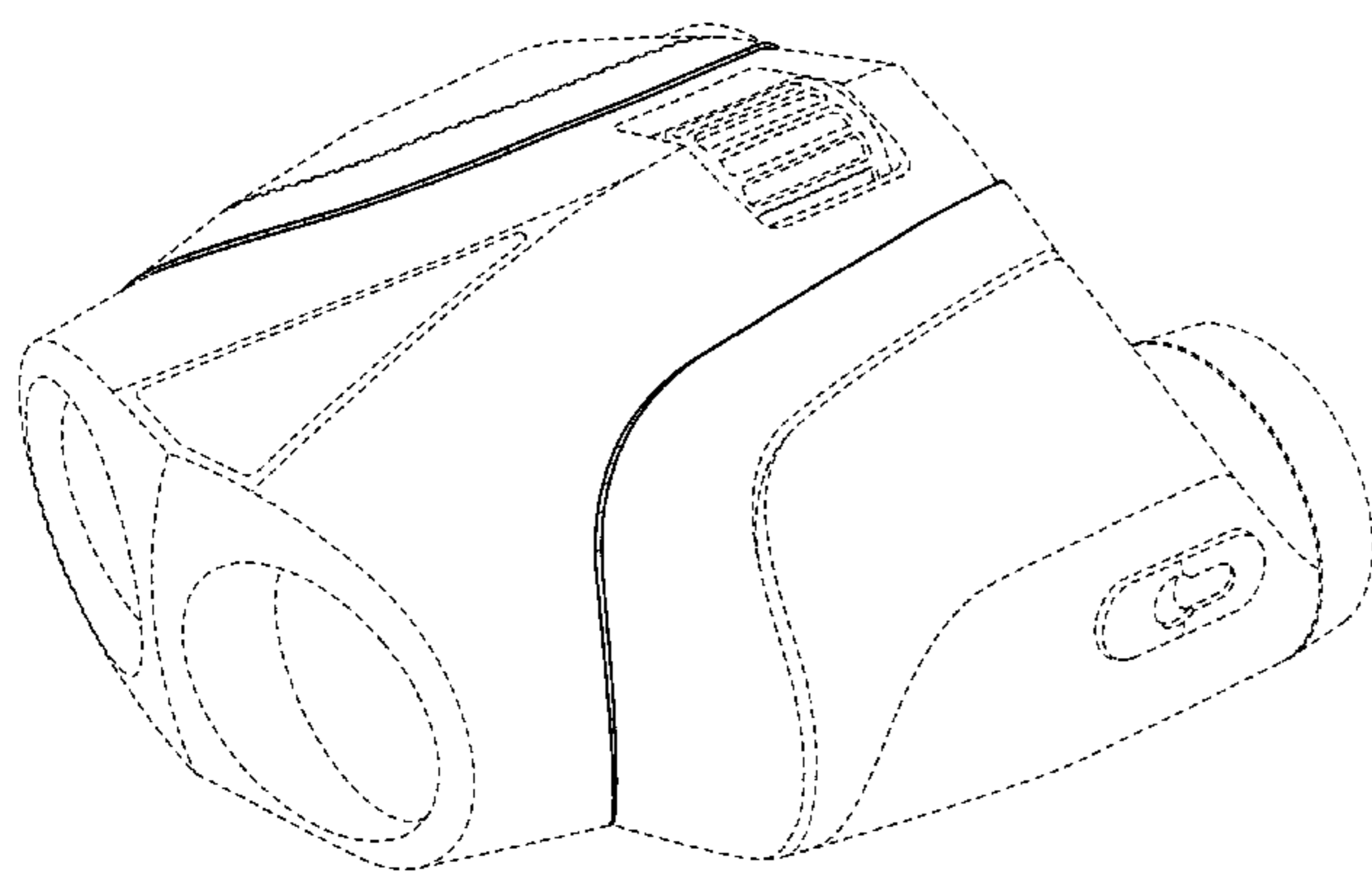


FIG. 1

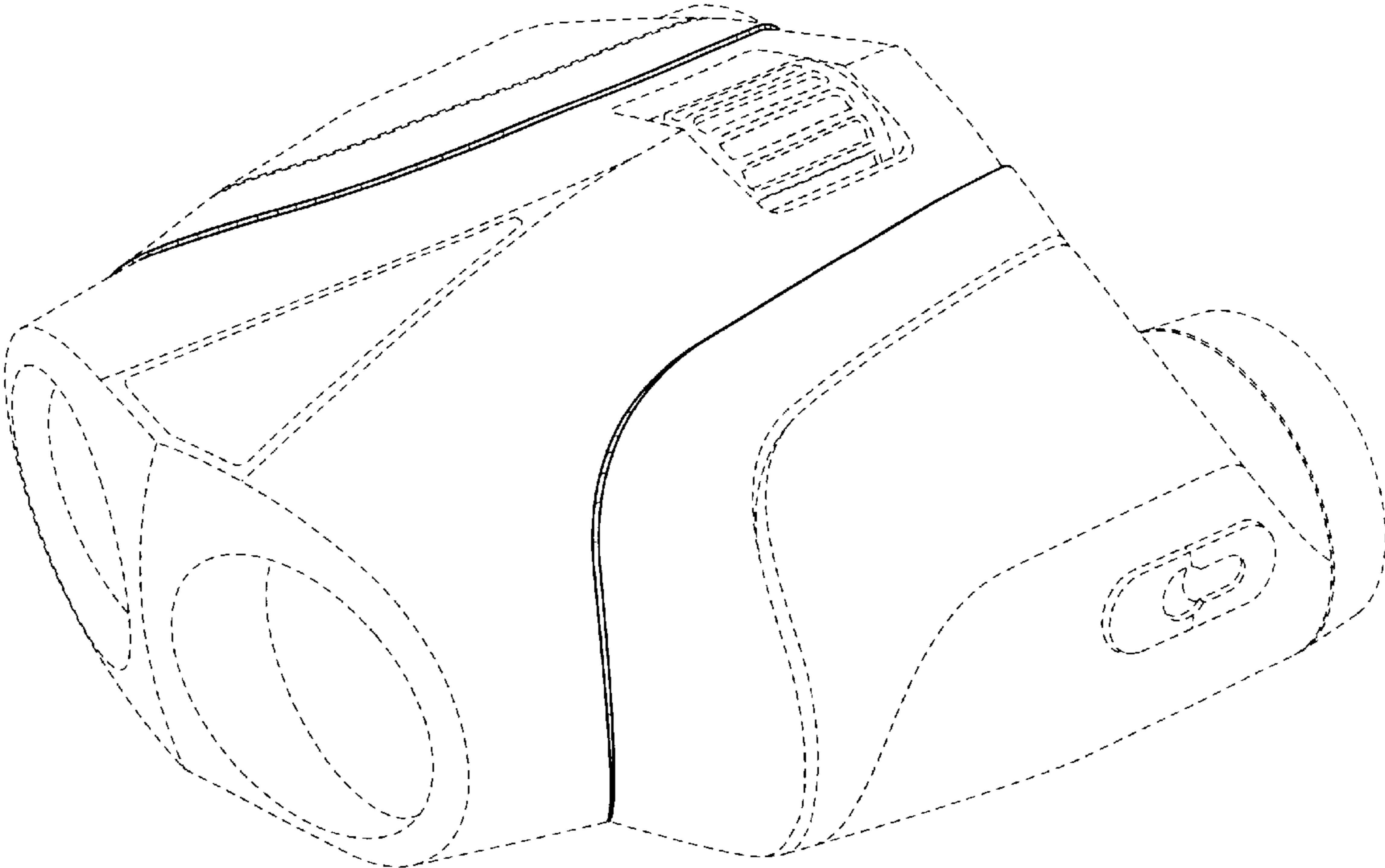


FIG. 2

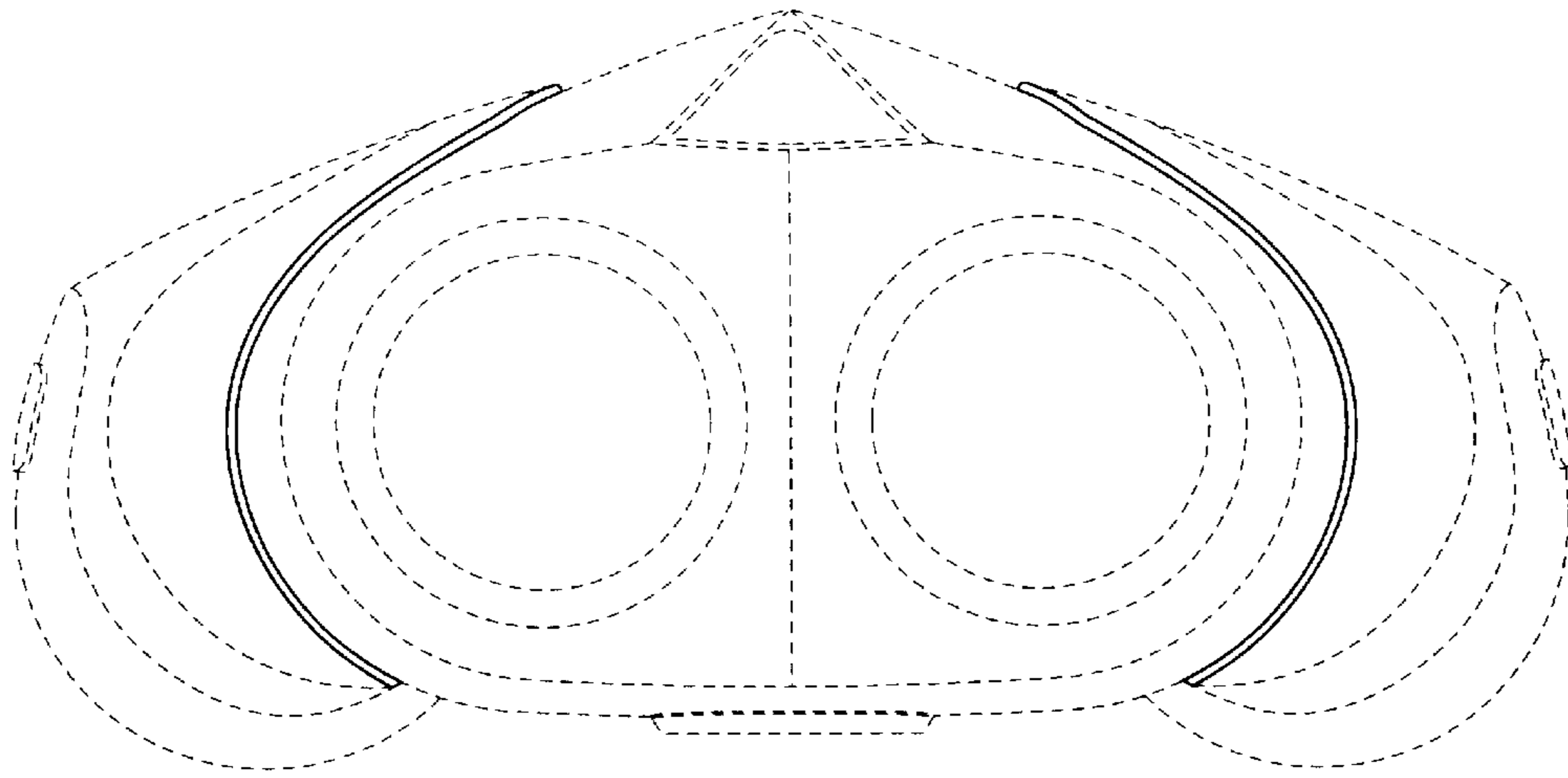


FIG. 3

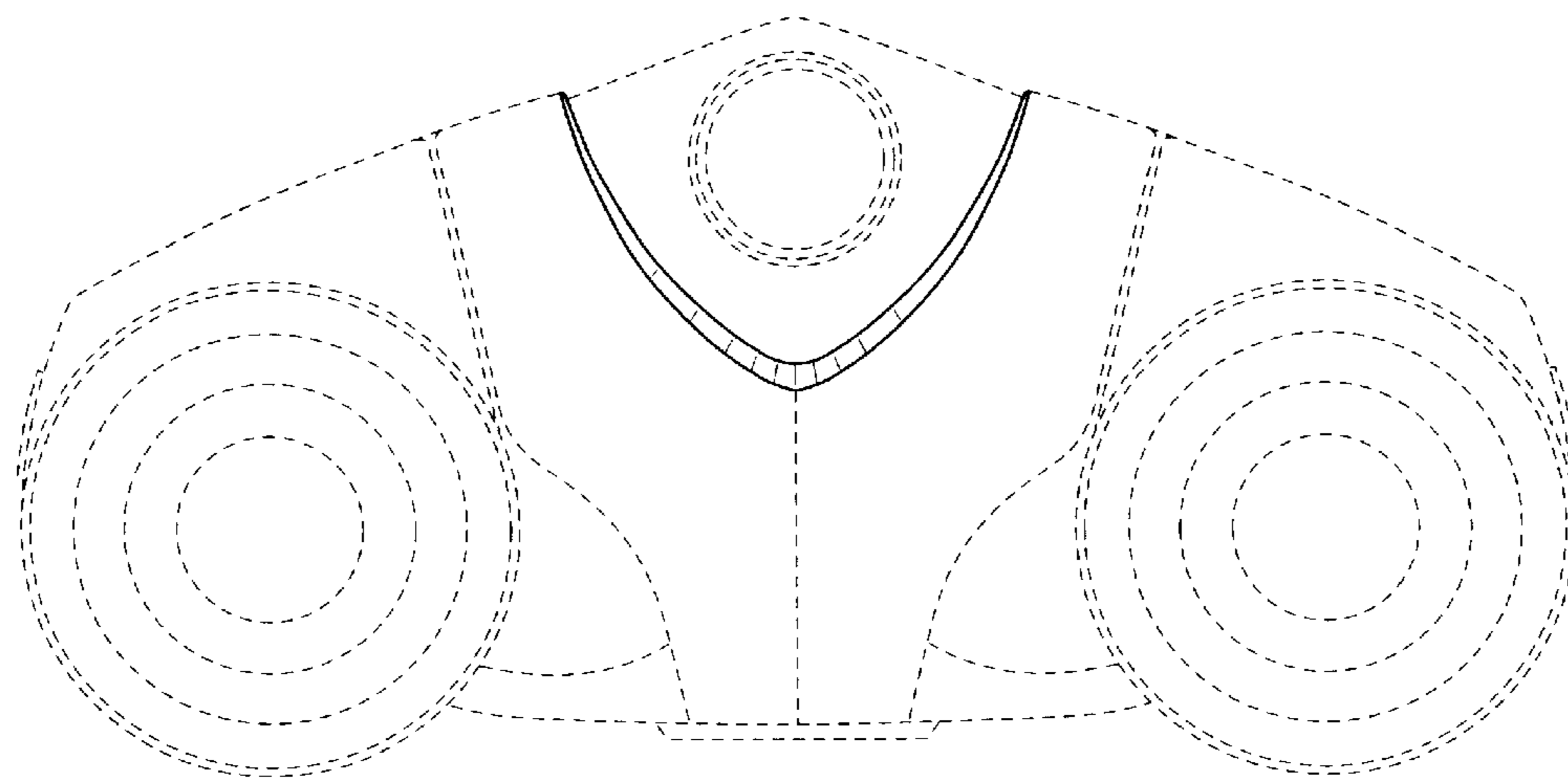


FIG. 4

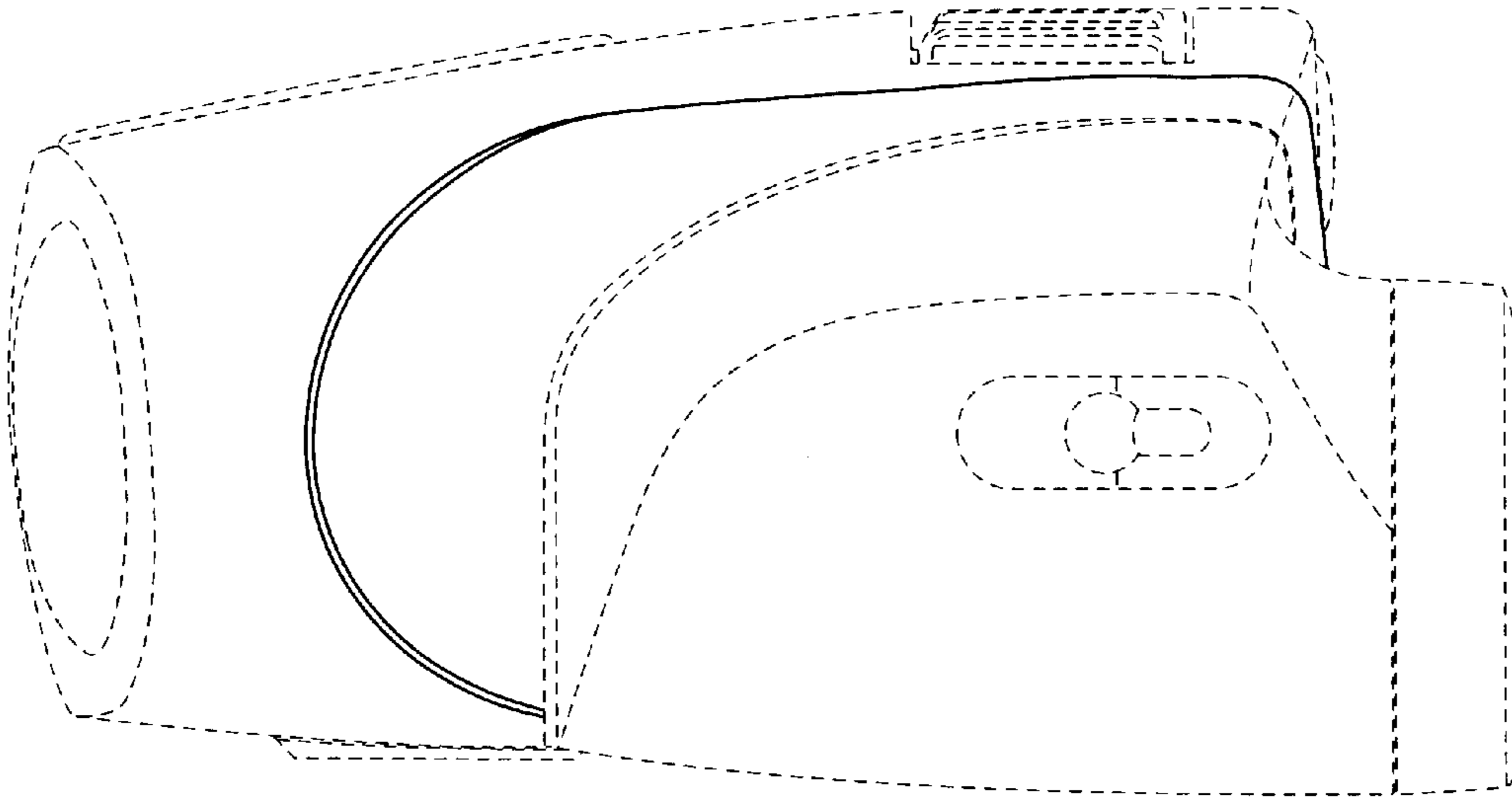


FIG. 5

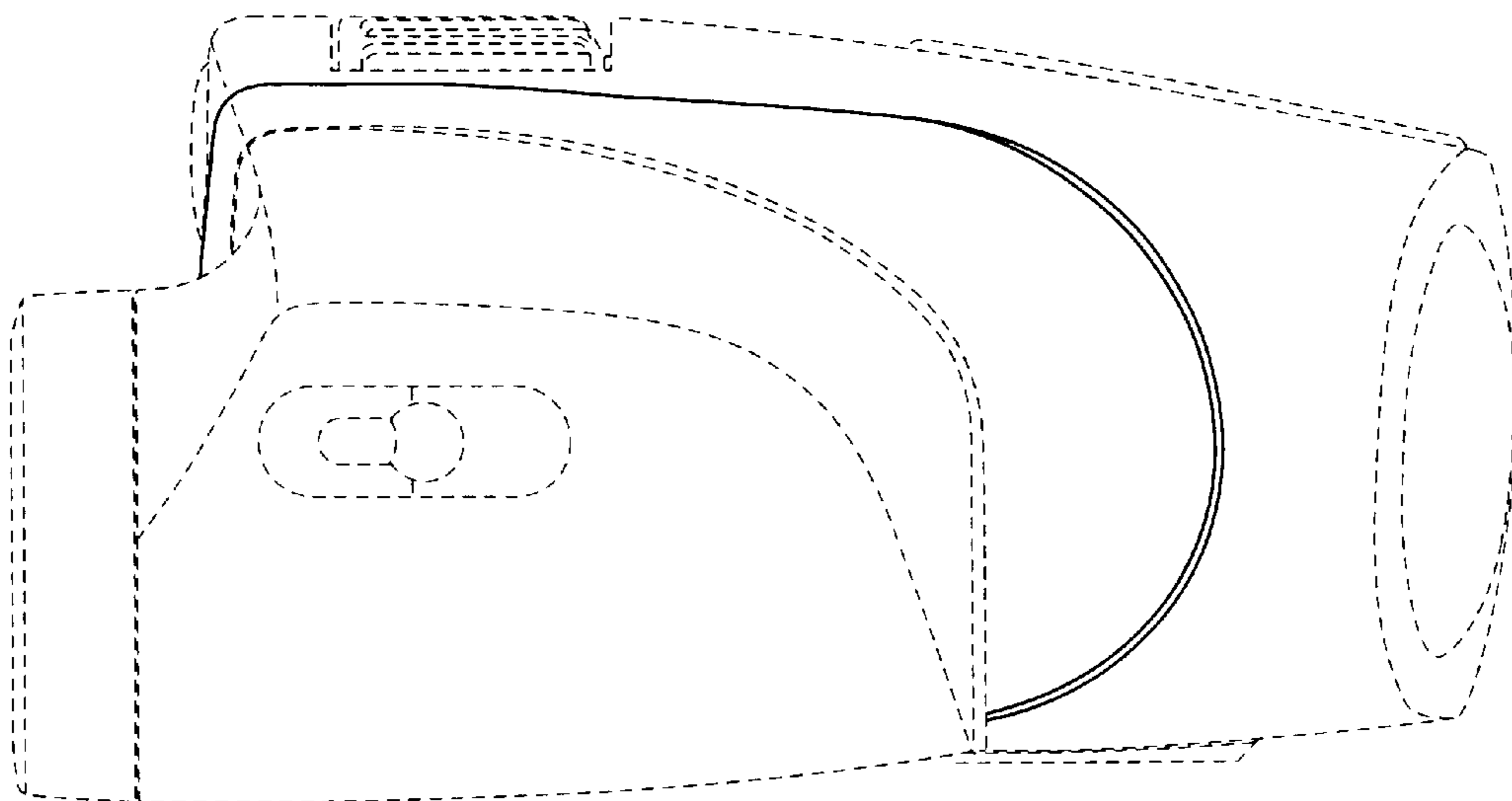


FIG. 6

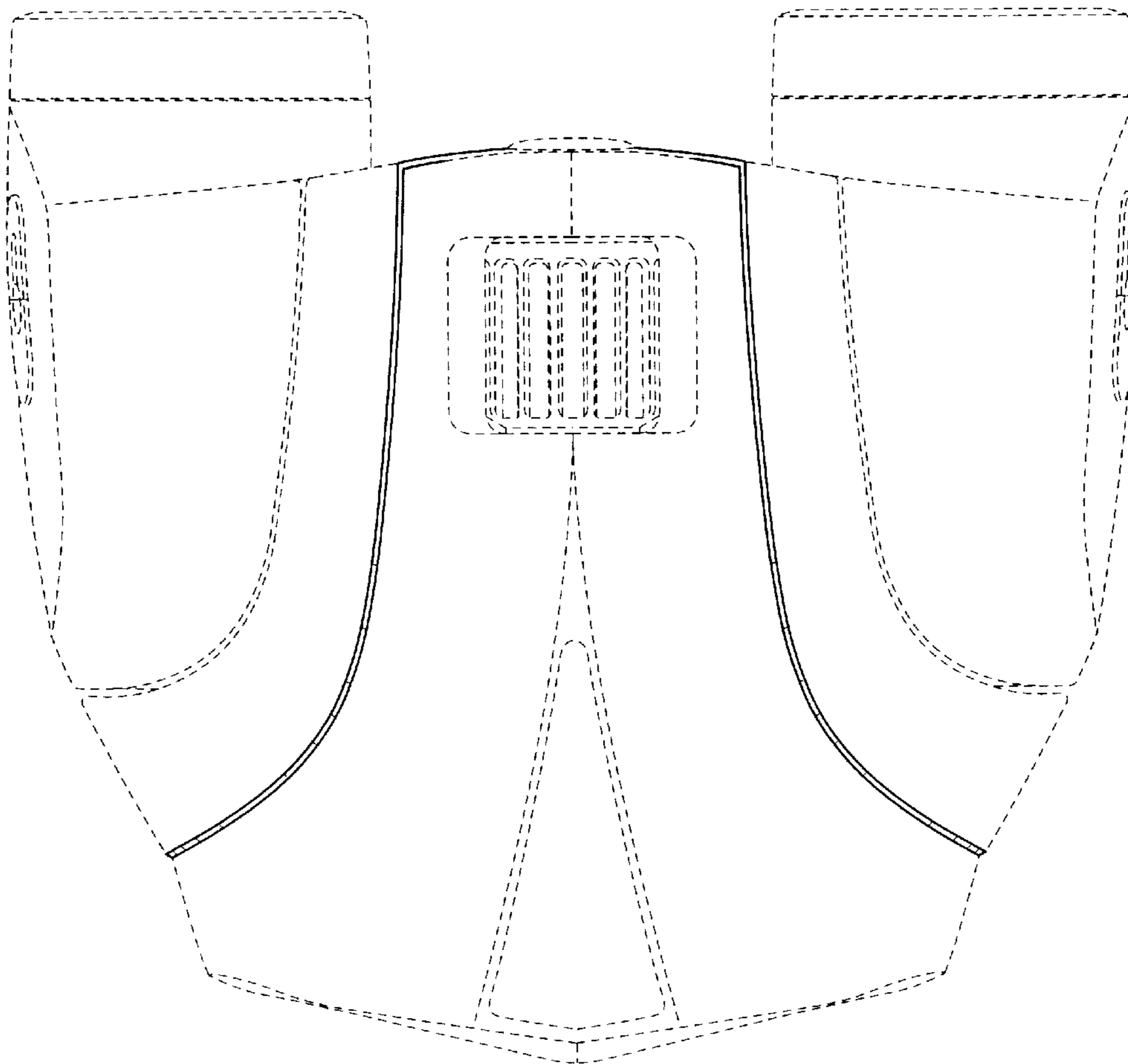


FIG. 7

