



US00D511537S

(12) **United States Design Patent**
Huang

(10) **Patent No.:** **US D511,537 S**

(45) **Date of Patent:** **** Nov. 15, 2005**

(54) **WATCH WINDER**

6,543,929 B1 * 4/2003 Agnoff 368/206

(76) **Inventor:** **Winson Huang**, 14F-4, No. 65,
Donhsing East Street, Nan Tun Areas,
Taichung (TW)

* cited by examiner

Primary Examiner—Antoine D. Davis
(74) *Attorney, Agent, or Firm*—Baker Botts L.L.P.

(**) **Term:** **14 Years**

(57) **CLAIM**

(21) **Appl. No.:** **29/213,259**

The ornamental design for watch winder, as shown and described.

(22) **Filed:** **Sep. 16, 2004**

DESCRIPTION

(51) **LOC (8) Cl.** **15-99**

(52) **U.S. Cl.** **D15/199**

(58) **Field of Search** D15/199; 368/10,
368/49-50, 206-213, 216, 327; 81/7.5

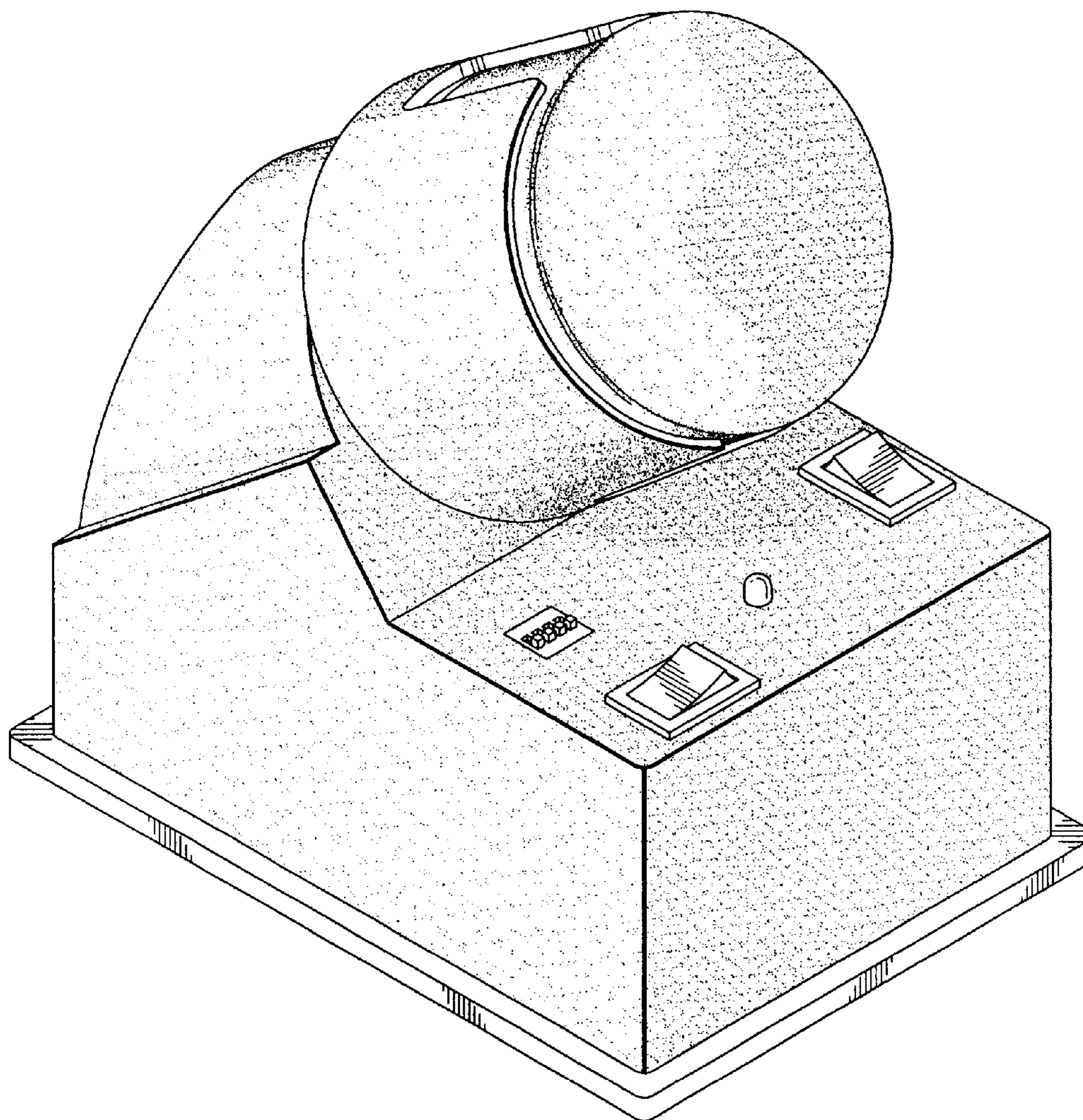
FIG. 1 is a perspective view of watch winder showing my new design;
FIG. 2 is a front elevational view thereof;
FIG. 3 is a rear elevational view thereof;
FIG. 4 is a left side elevational view thereof;
FIG. 5 is a right side elevational view thereof;
FIG. 6 is a top plan view thereof; and,
FIG. 7 is a bottom plan view thereof.

(56) **References Cited**

U.S. PATENT DOCUMENTS

D440,583 S	*	4/2001	Greene, Jr.	D15/199
6,254,270 B1	*	7/2001	Agnoff	368/206
6,439,761 B1	*	8/2002	Agnoff	368/206

1 Claim, 7 Drawing Sheets



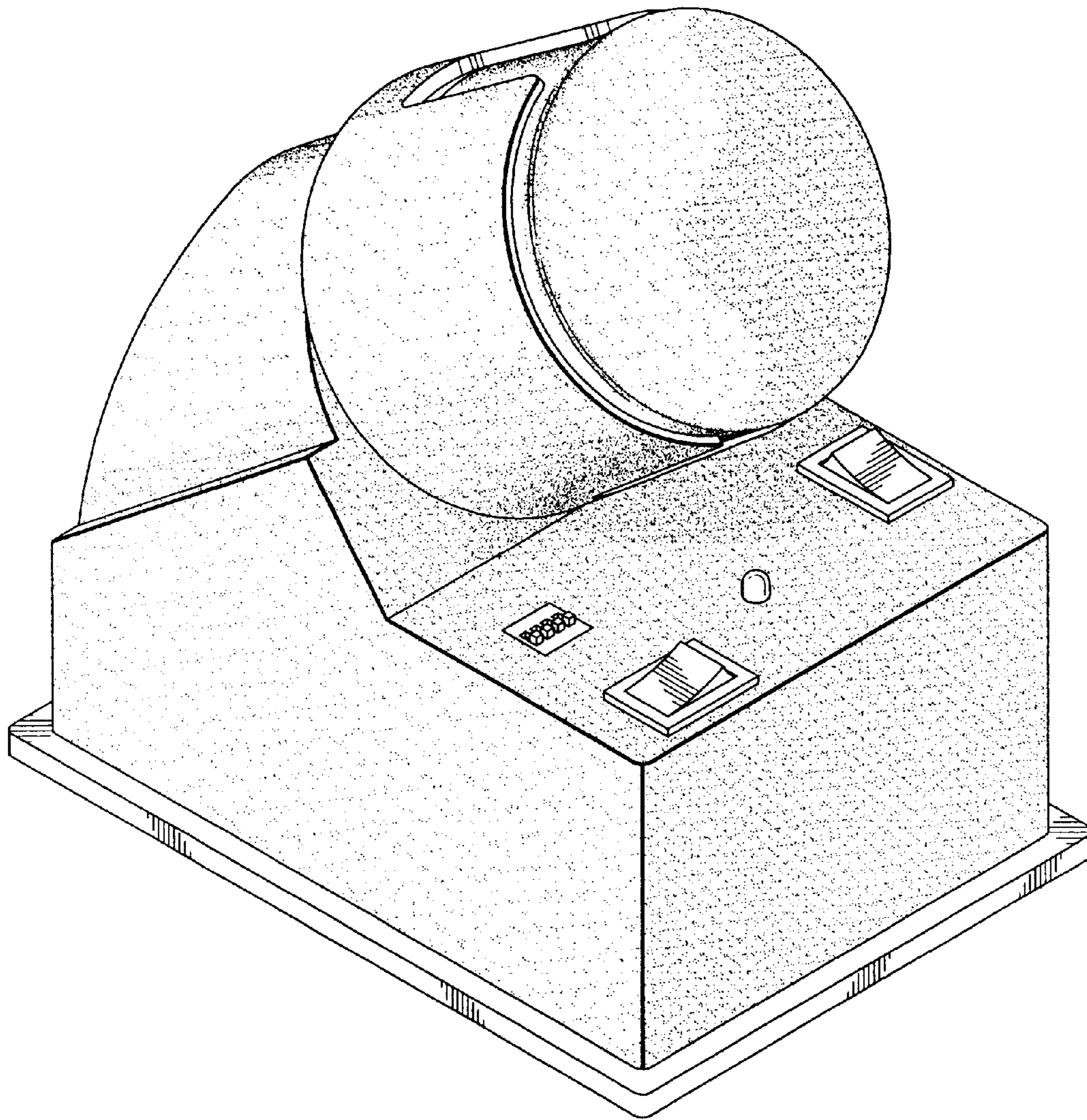


FIG. 1

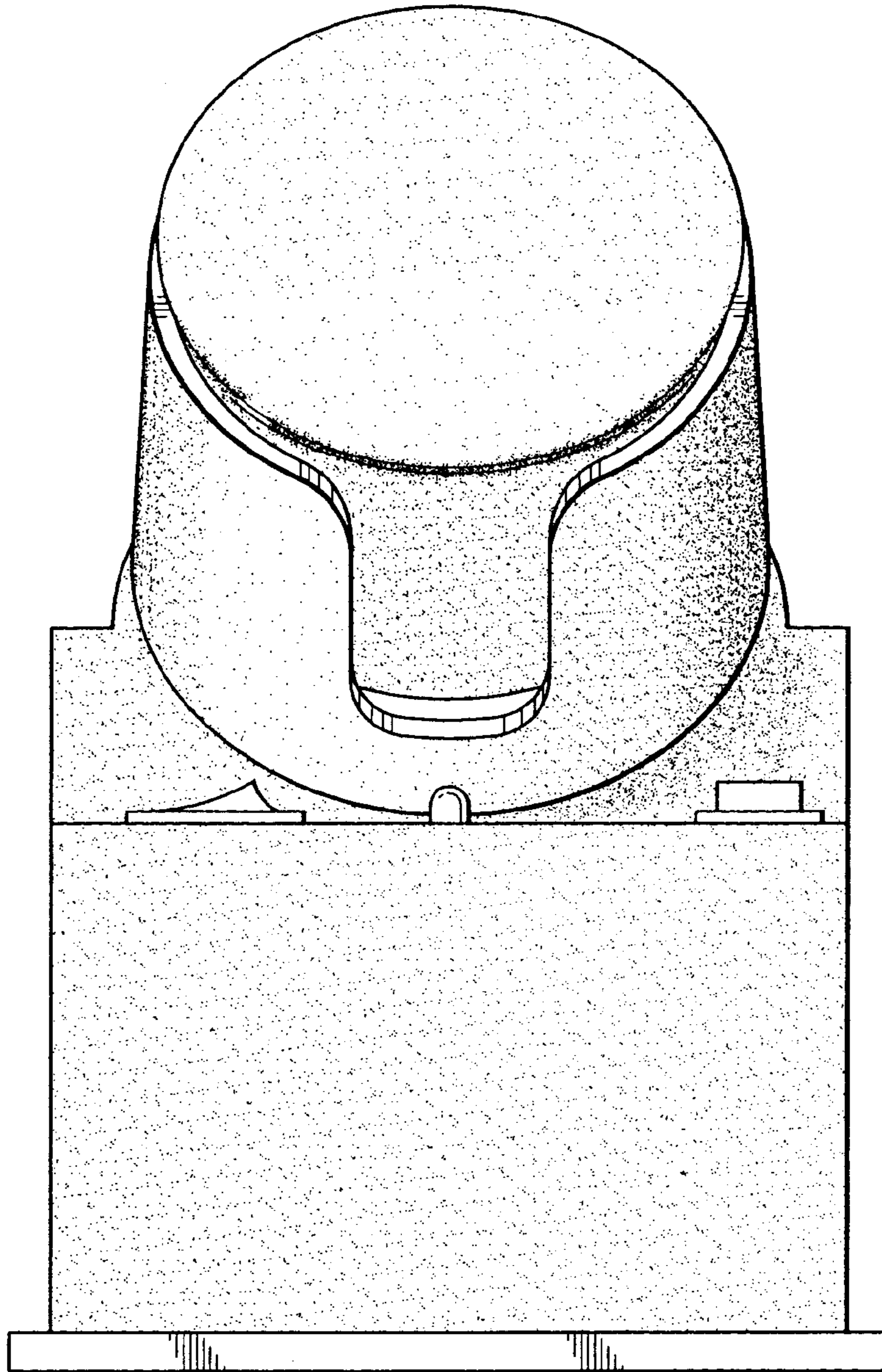


FIG. 2

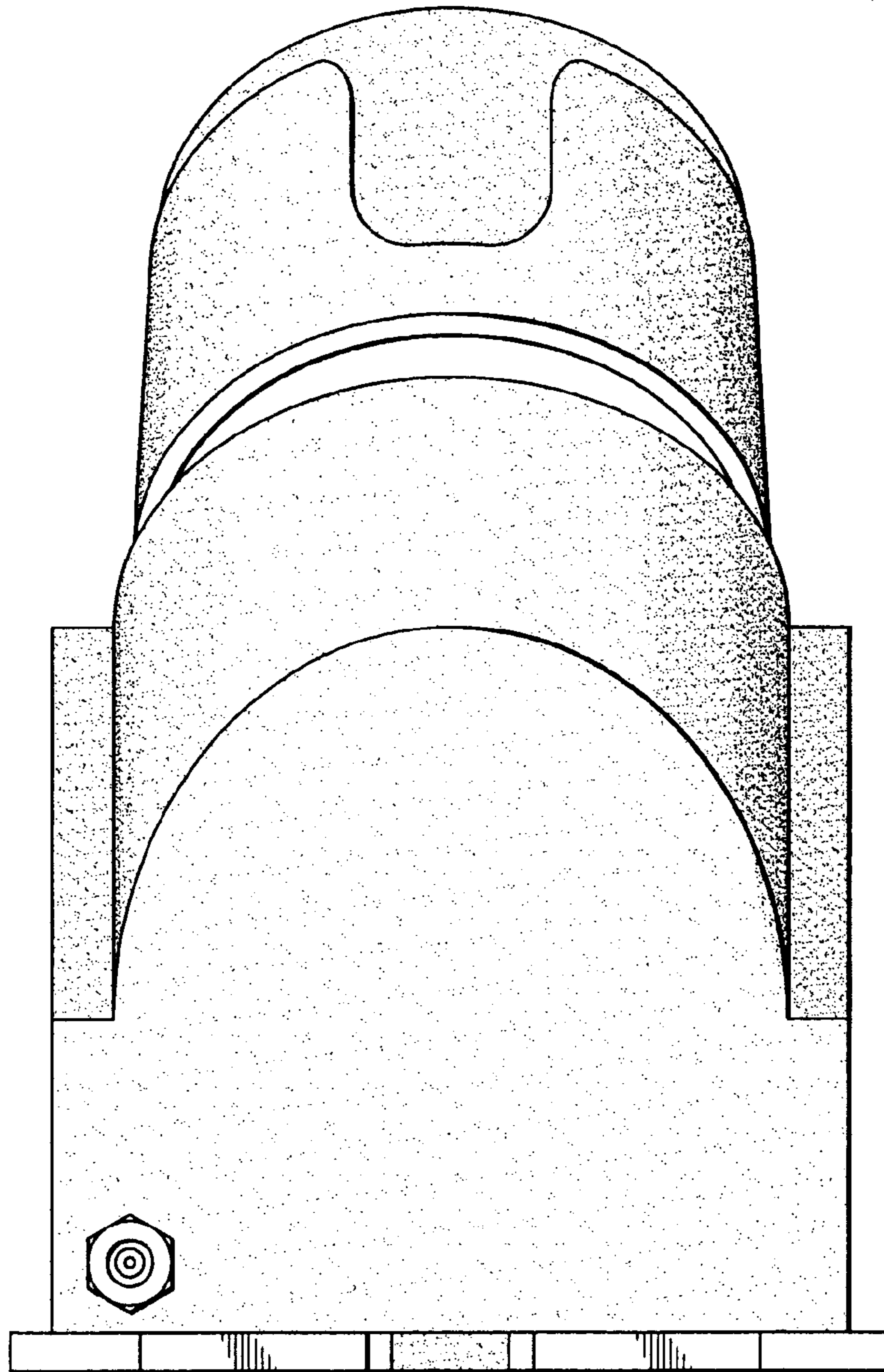


FIG. 3

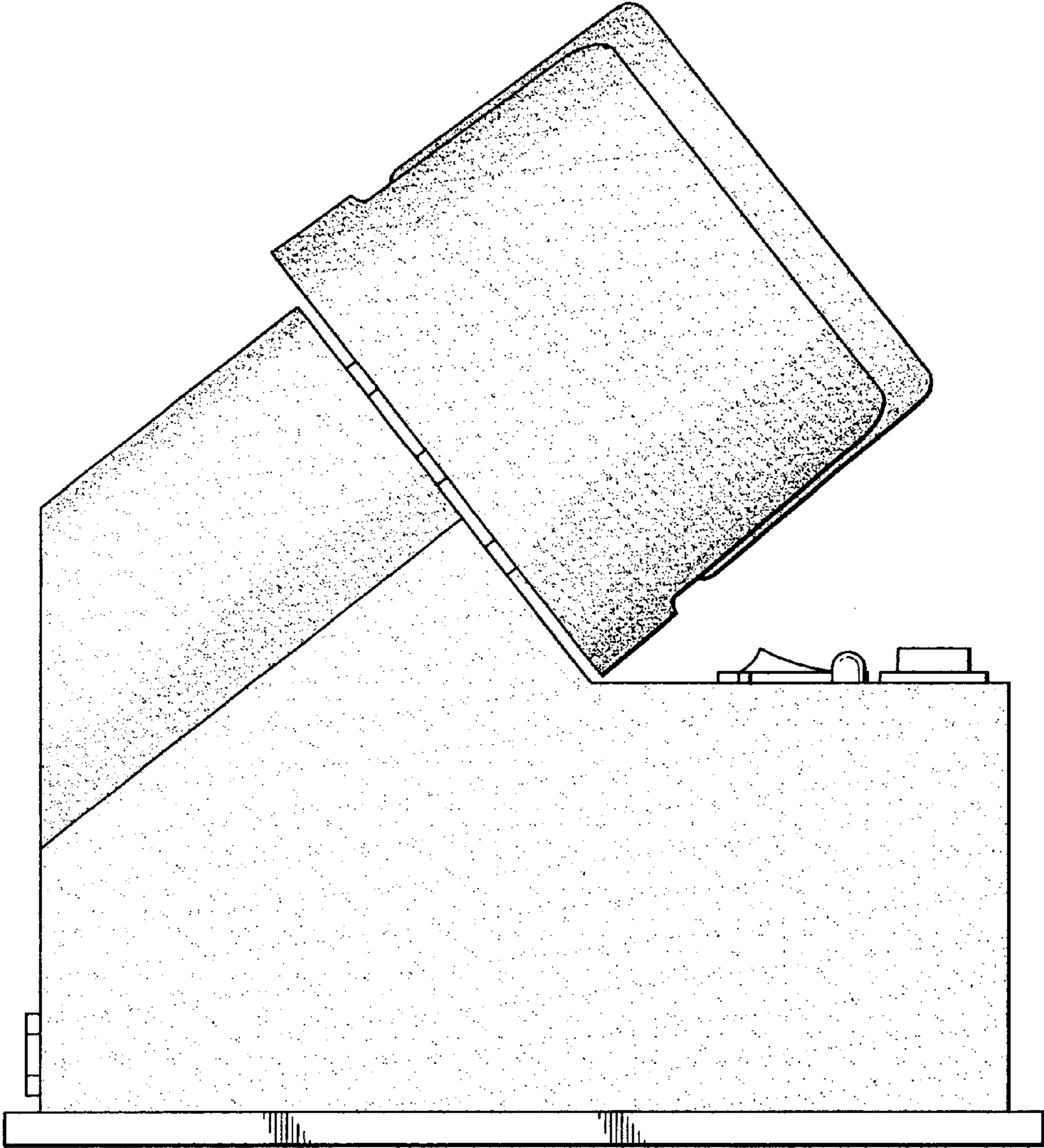


FIG. 4

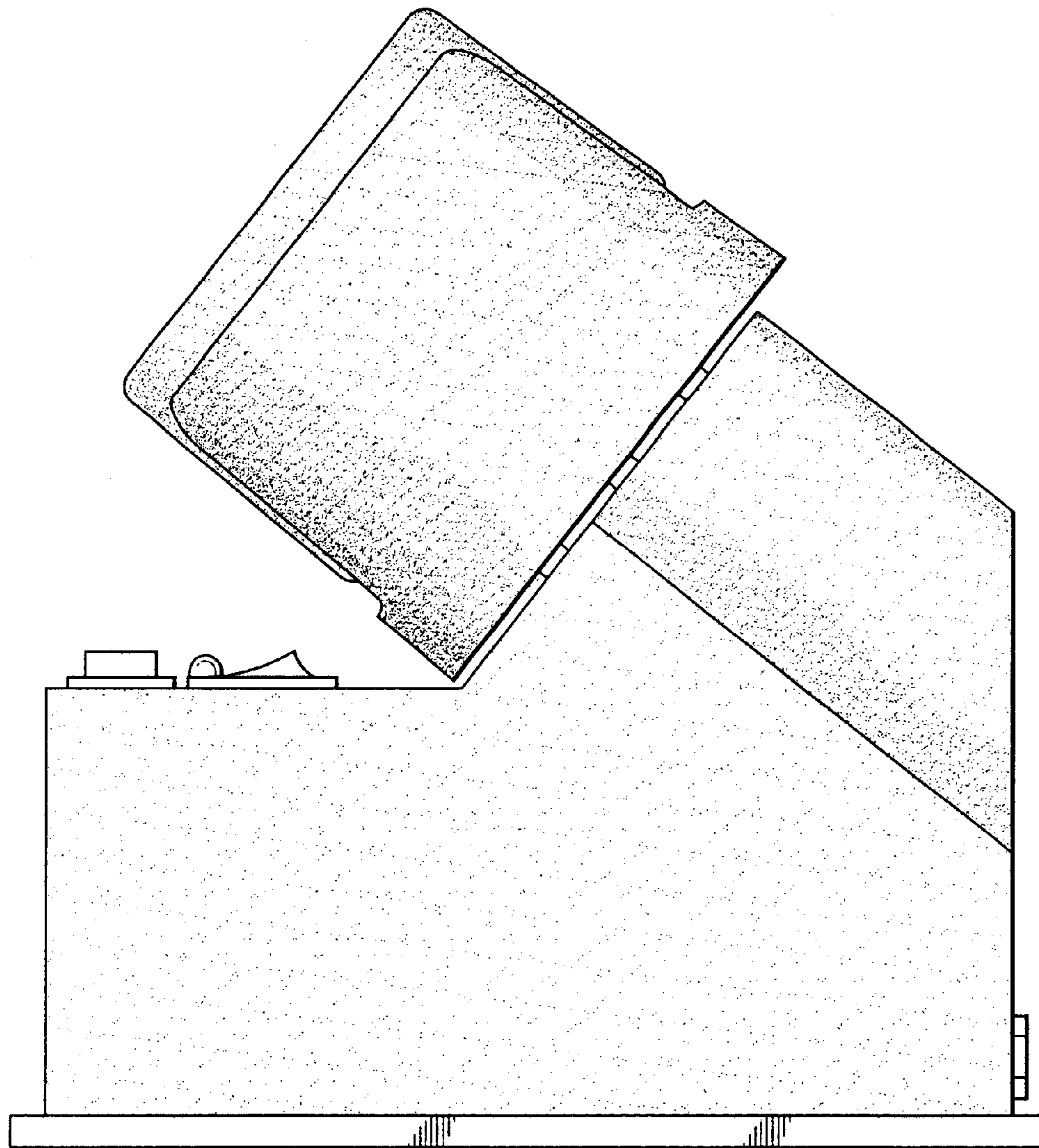


FIG. 5

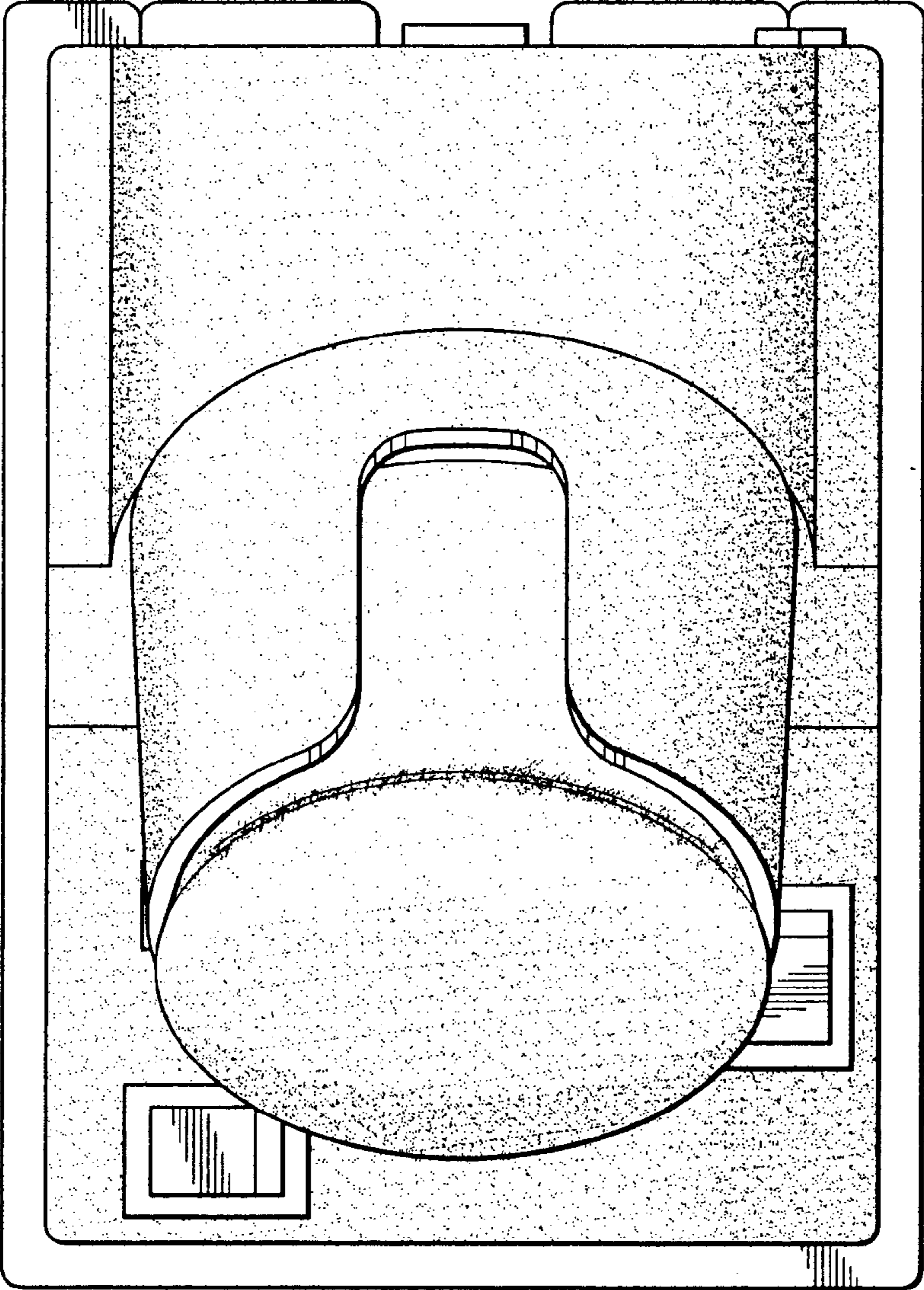


FIG. 6

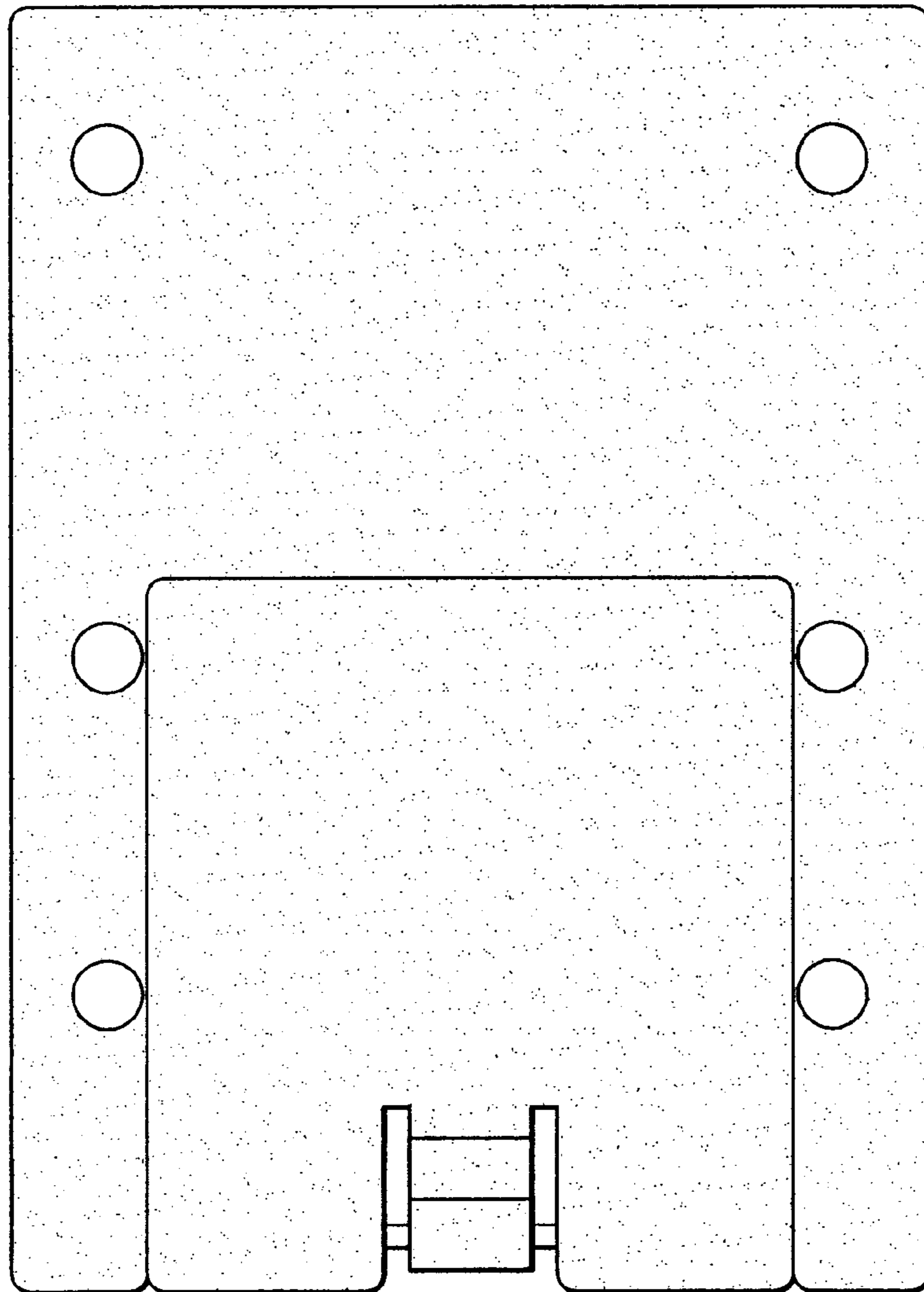


FIG. 7