



US00D511535S

(12) **United States Design Patent**  
**Grobleben**

(10) **Patent No.: US D511,535 S**

(45) **Date of Patent: \*\* Nov. 15, 2005**

(54) **SHELF AND TRAY COMBINATION FOR A REFRIGERATOR**

(75) Inventor: **Ralf Grobleben**, Bretten (DE)

(73) Assignee: **BSH Bosch und Siemens Hausgeraete GmbH**, Munich (DE)

(\*\*) Term: **14 Years**

(21) Appl. No.: **29/207,103**

(22) Filed: **Jun. 7, 2004**

(30) **Foreign Application Priority Data**

Dec. 5, 2003 (EM) ..... 117197

(51) **LOC (8) Cl. .... 15-07**

(52) **U.S. Cl. .... D15/89**

(58) **Field of Search** ..... D15/79, 81, 85-87,  
D15/89; 62/440-449, 457, 246-255, 337,  
3.6; 312/116, 247, 270.3, 319, 401, 408;  
220/592.01, 592.02, 592.04, 4.31, 533;  
362/92; 211/153

(56) **References Cited**

**U.S. PATENT DOCUMENTS**

D142,904 S \* 11/1945 Paddock ..... D15/89  
2,786,729 A \* 3/1957 Fields ..... 312/270.3

5,287,252 A \* 2/1994 Caruso ..... 362/92  
5,429,433 A \* 7/1995 Bird et al. .... 312/408  
5,441,338 A \* 8/1995 Kane et al. .... 312/408  
5,540,493 A \* 7/1996 Kane et al. .... 312/408  
5,913,584 A \* 6/1999 Swindell et al. .... 312/408  
6,811,045 B1 \* 11/2004 Masker et al. .... 211/153  
2003/0117051 A1 \* 6/2003 Kweon ..... 312/408

\* cited by examiner

*Primary Examiner*—Nanda Bondade

*Assistant Examiner*—Shanda C. Hill

(74) *Attorney, Agent, or Firm*—John T. Winburn; Russell W. Warnock; Craig J. Lorst

(57) **CLAIM**

The ornamental design for a shelf and tray combination for a refrigerator, as shown and described.

**DESCRIPTION**

FIG. 1 is a left-side, front, top perspective view of a shelf and tray combination for a refrigerator, showing my new design;

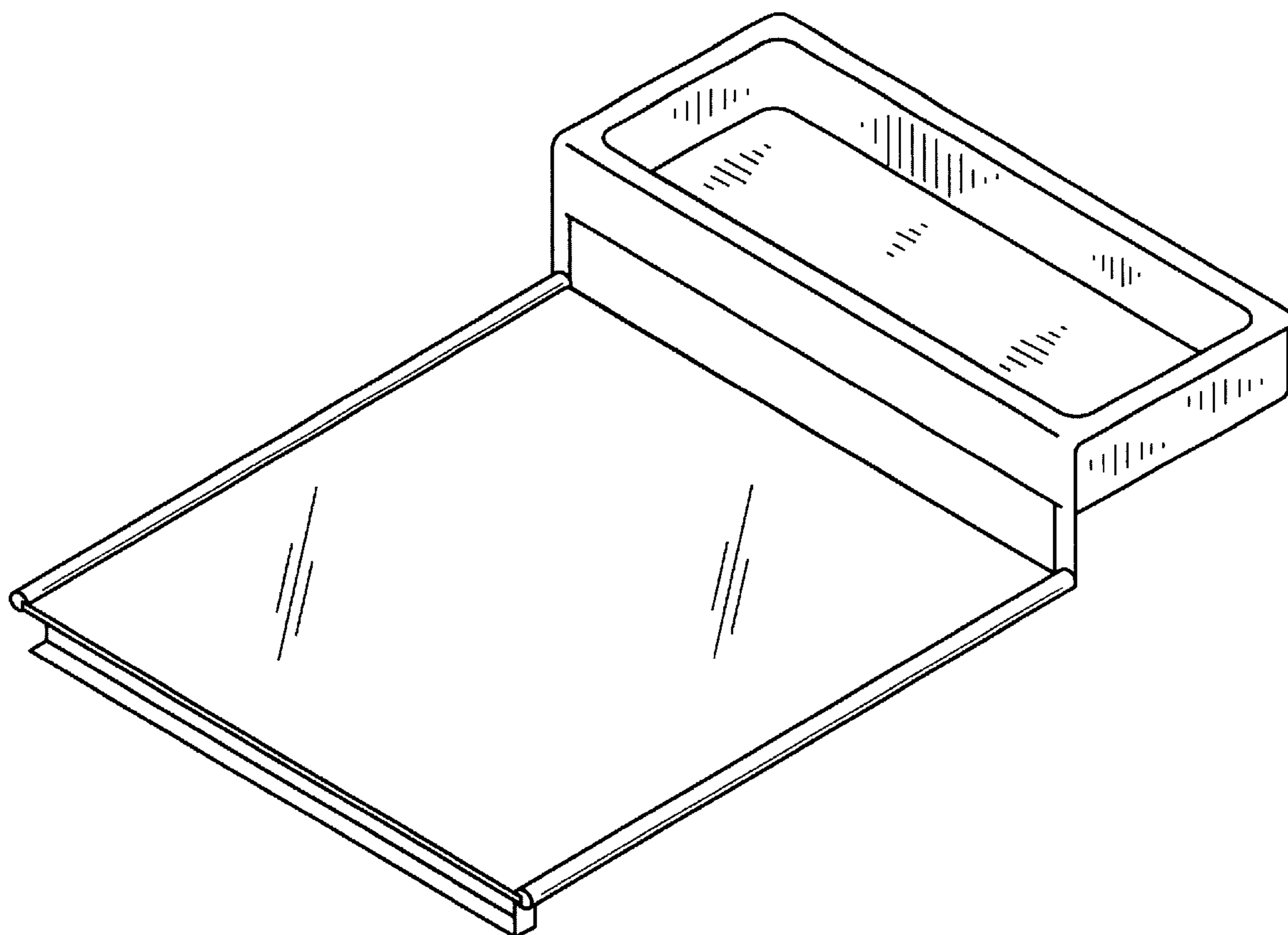
FIG. 2 is a right-side, front, top perspective view thereof;

FIG. 3 is a left-side elevational view thereof;

FIG. 4 is a top plan view thereof; and,

FIG. 5 is a front elevational view thereof.

**1 Claim, 2 Drawing Sheets**



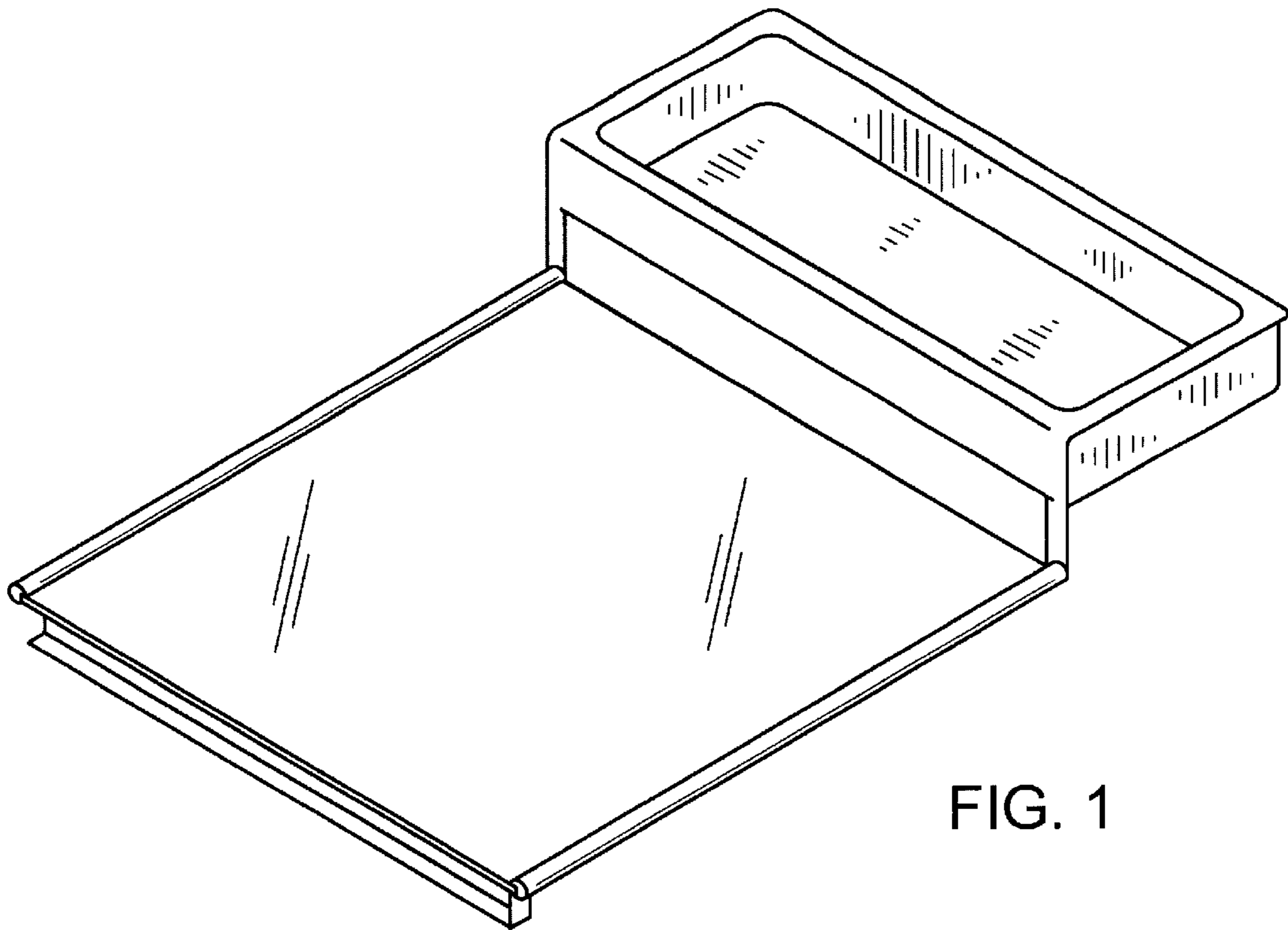


FIG. 1

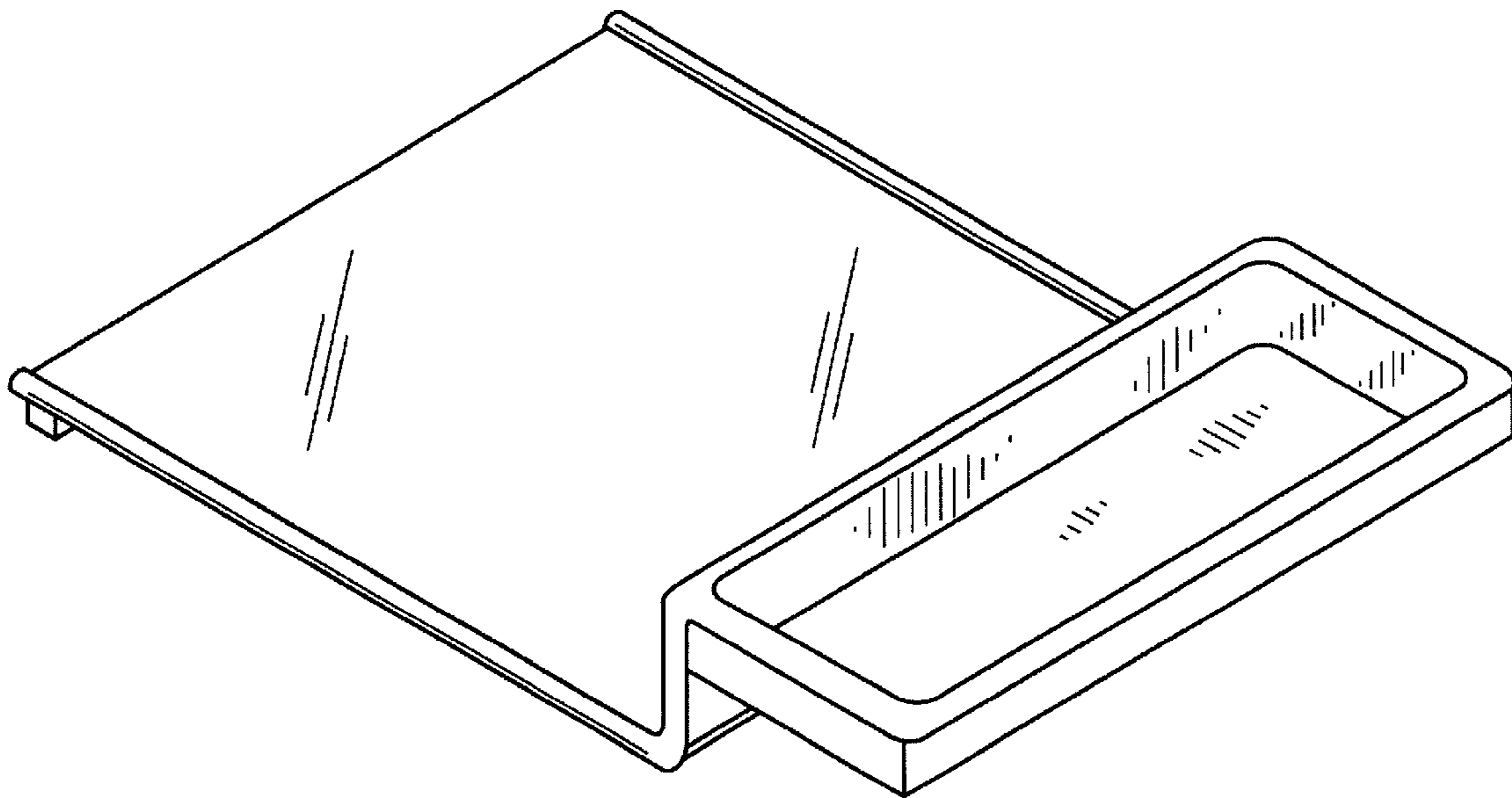


FIG. 2

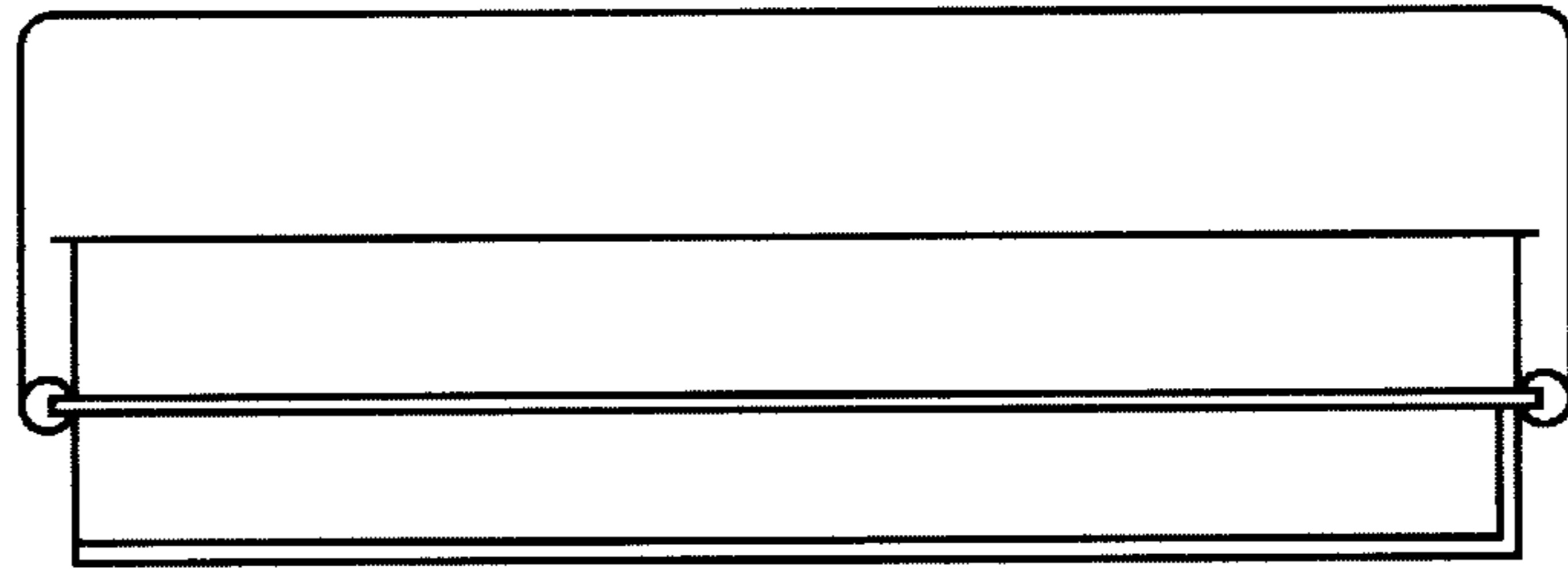


FIG. 3

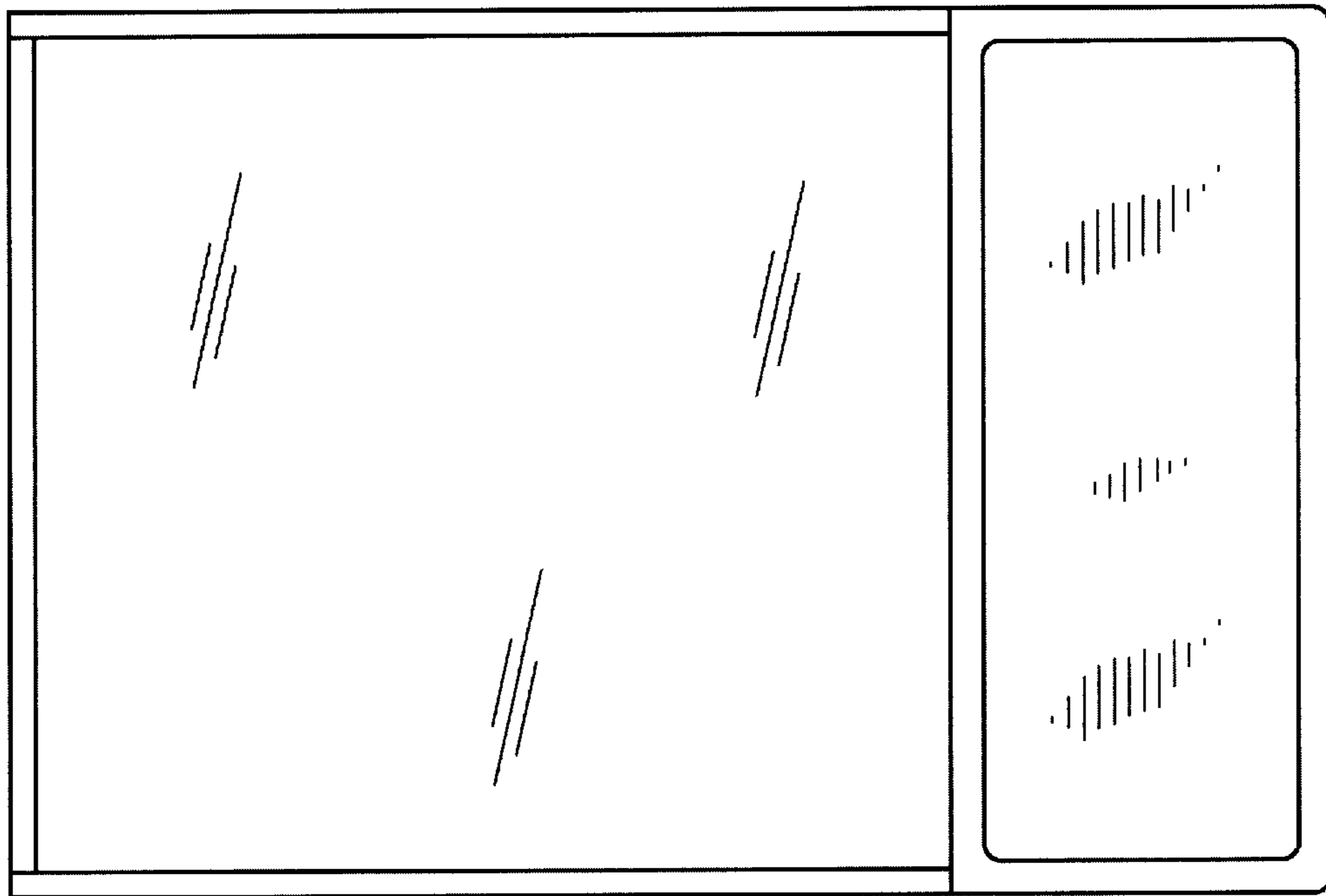


FIG. 4

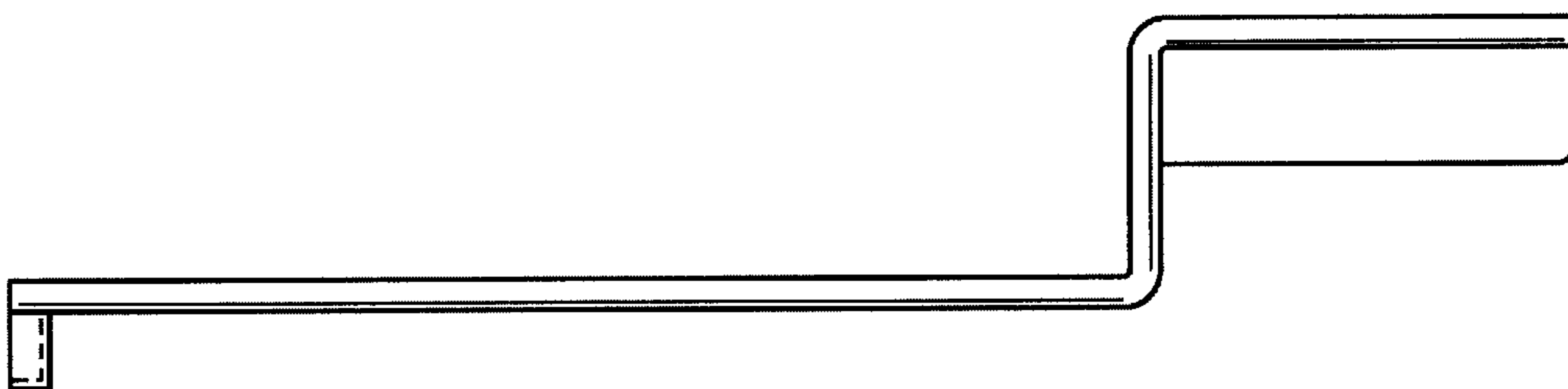


FIG. 5