



US00D511533S

(12) **United States Design Patent**  
**Bossy et al.**

(10) **Patent No.: US D511,533 S**

(45) **Date of Patent: \*\* Nov. 15, 2005**

(54) **HOUSING FOR TEXTILE MACHINE**

(75) Inventors: **Rino Bossy, Wülfrath (DE); Armin Leder, Mönchengladbach (DE)**

(73) Assignee: **Trützschler GmbH & Co. KG, Mönchengladbach (DE)**

(\*\*) Term: **14 Years**

(21) Appl. No.: **29/203,139**

(22) Filed: **Apr. 9, 2004**

(30) **Foreign Application Priority Data**

Oct. 9, 2003 (DE) ..... 403 06 520

(51) **LOC (8) Cl. .... 15-06**

(52) **U.S. Cl. .... D15/66**

(58) **Field of Search ..... D15/66, 69, 72, D15/76, 77, 78; 15/301; 112/226, 235, 240, 256, 259-261, 270; 225/83; 451/432**

(56) **References Cited**

**U.S. PATENT DOCUMENTS**

2,762,324 A \* 9/1956 Hess ..... 112/256  
D286,054 S \* 10/1986 Shibuya et al. .... D15/69

D292,928 S \* 11/1987 Lo ..... D15/69  
5,012,546 A \* 5/1991 Kuwabara et al. .... 15/301  
D359,741 S \* 6/1995 Sekiguti et al. .... D15/70  
D382,281 S \* 8/1997 Takada et al. .... D15/69  
D416,027 S \* 11/1999 Ueyama ..... D15/69  
D466,136 S \* 11/2002 Lin ..... D15/69

\* cited by examiner

*Primary Examiner*—Stella Reid

*Assistant Examiner*—Shanda C. Hill

(74) *Attorney, Agent, or Firm*—Venable LLP; Robert Kinberg

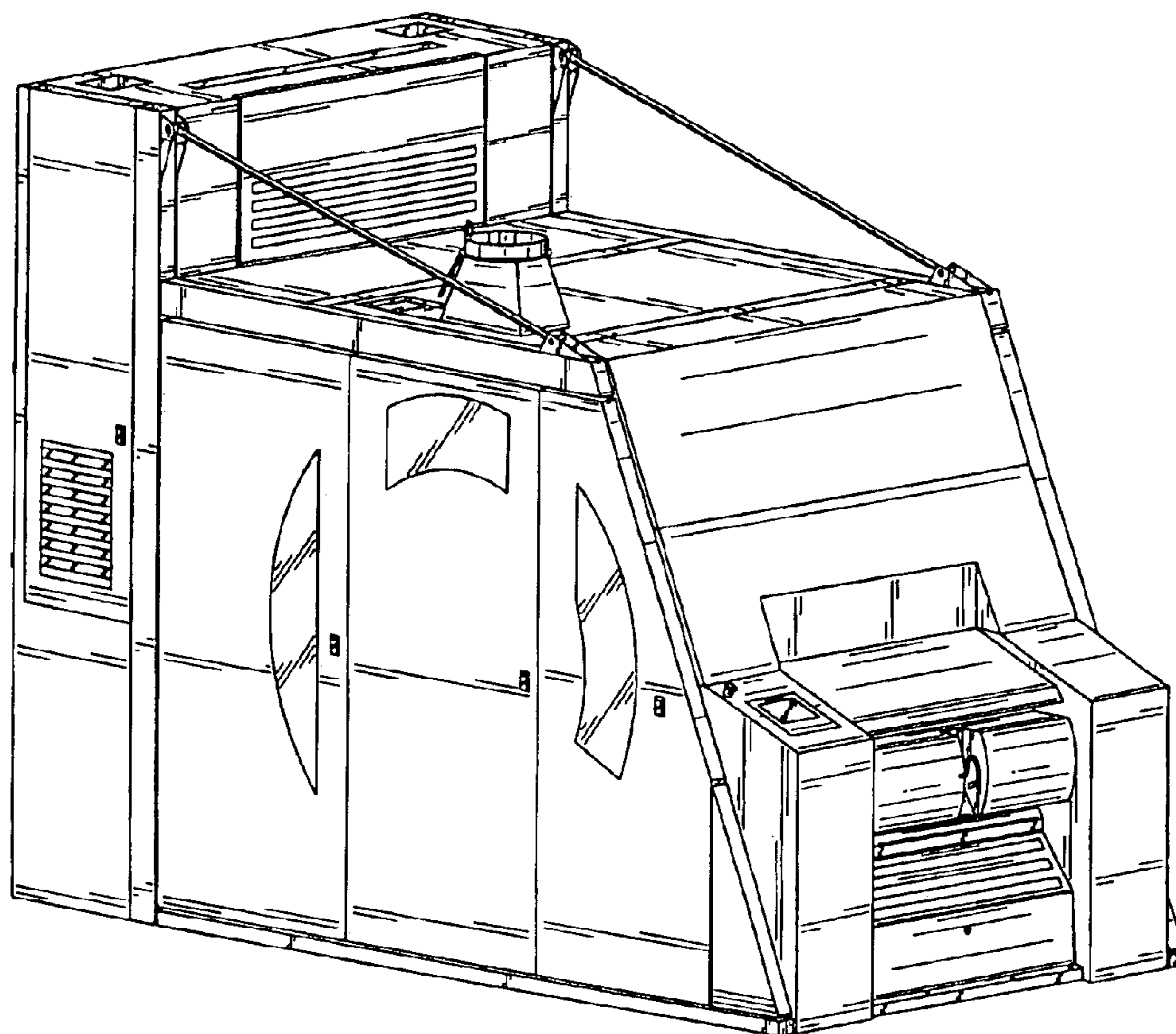
(57) **CLAIM**

The ornamental design for a housing for textile machine, as shown and described.

**DESCRIPTION**

FIG. 1 is a perspective view from the top-front-left side of the housing for textile machine showing our new design; FIG. 2 is a front view of the design shown in FIG. 1; FIG. 3 is a left view of the design shown in FIG. 1; FIG. 4 is a right view of the design shown in FIG. 1; and, FIG. 5 is a top view of the design shown in FIG. 1.

**1 Claim, 5 Drawing Sheets**



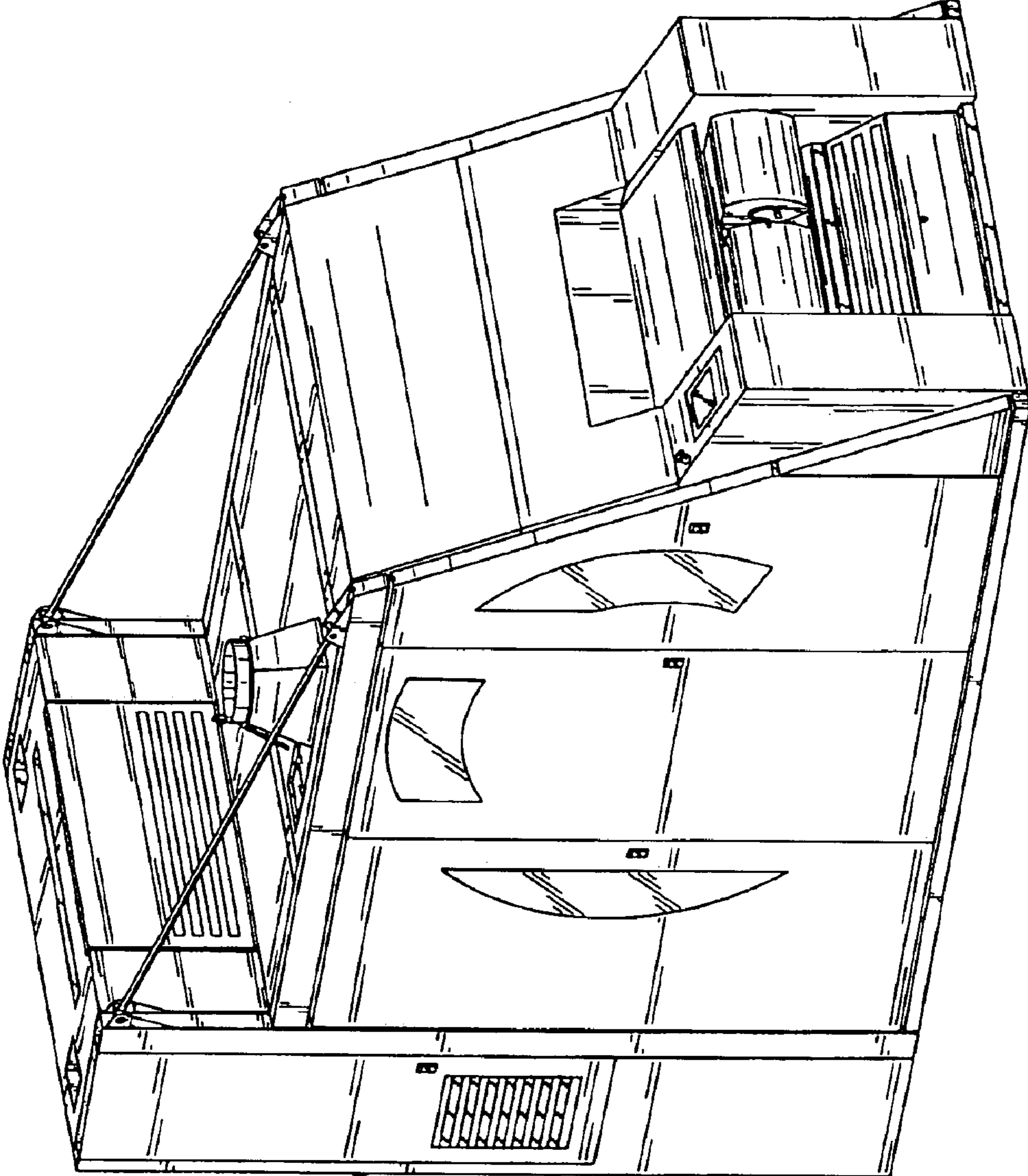


Figure 1

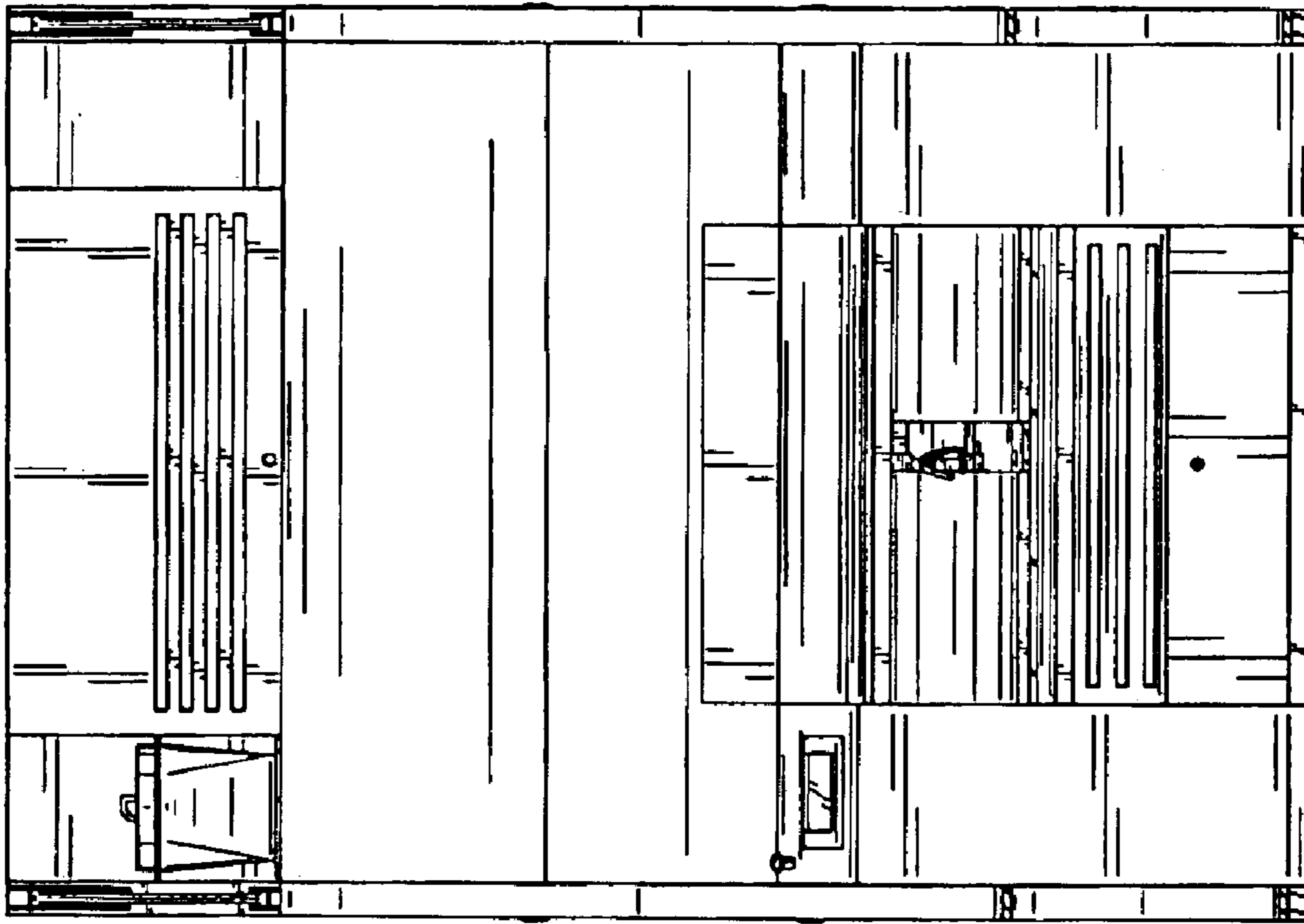


Figure 2

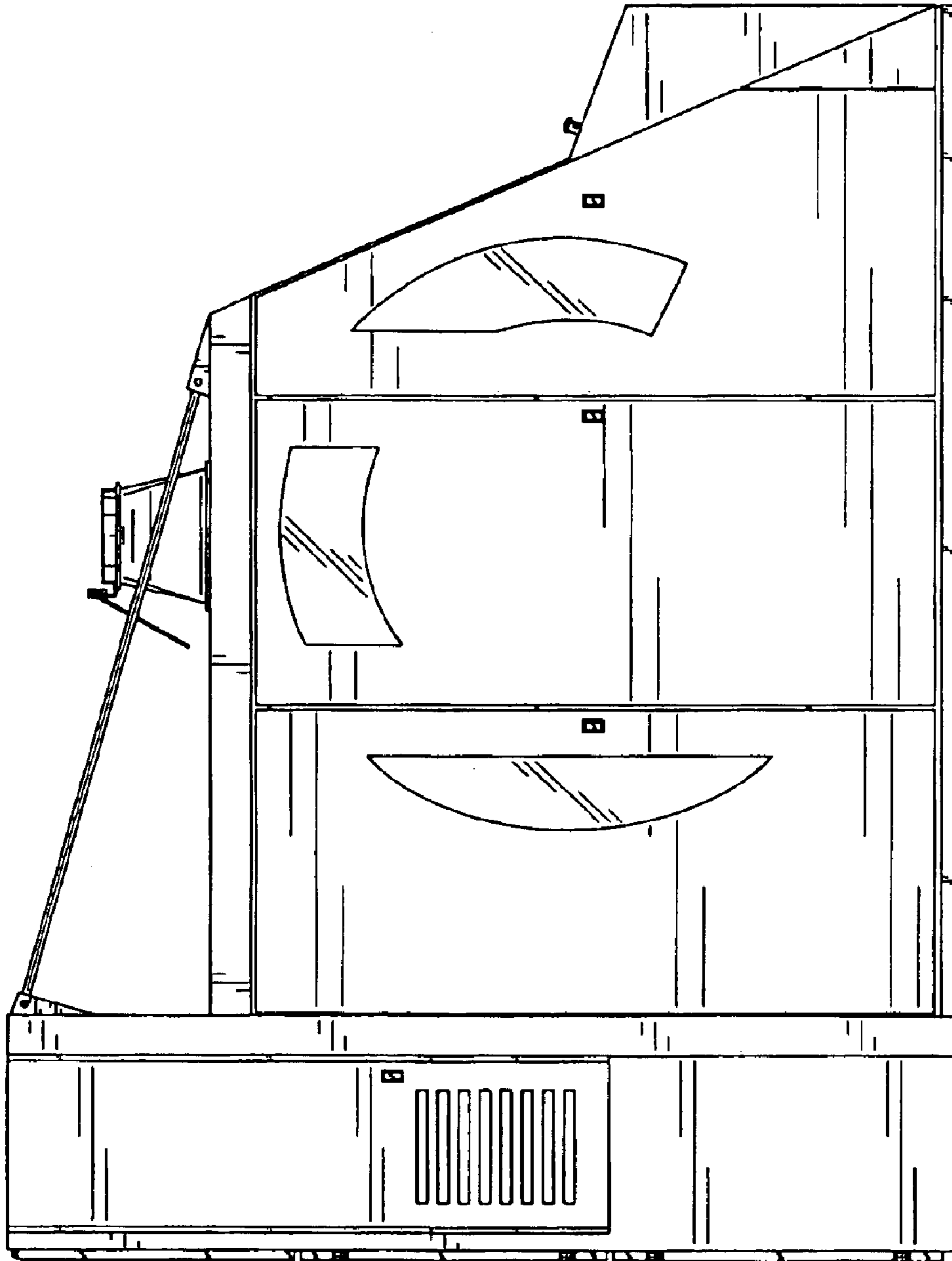


Figure 3

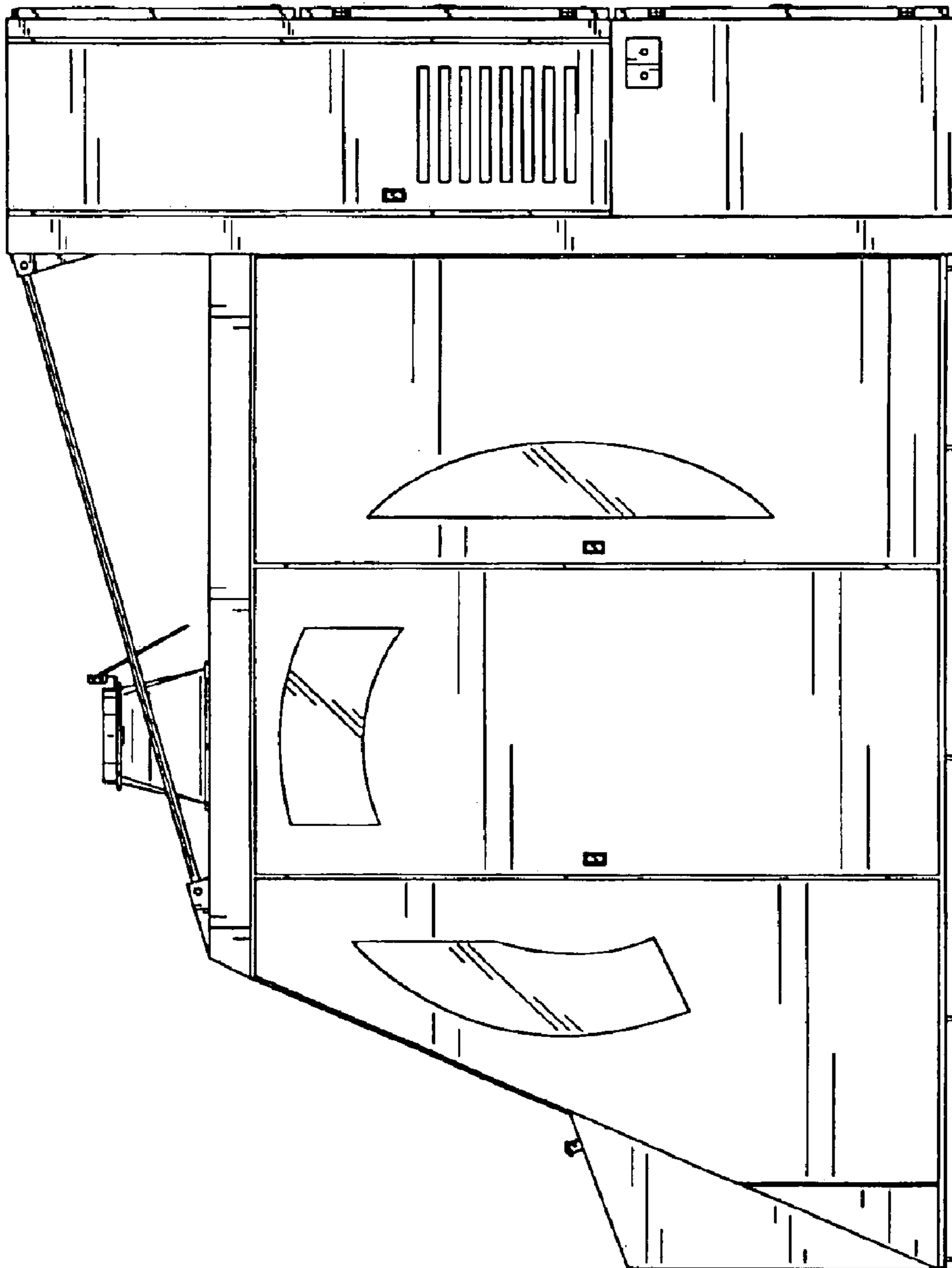


Figure 4

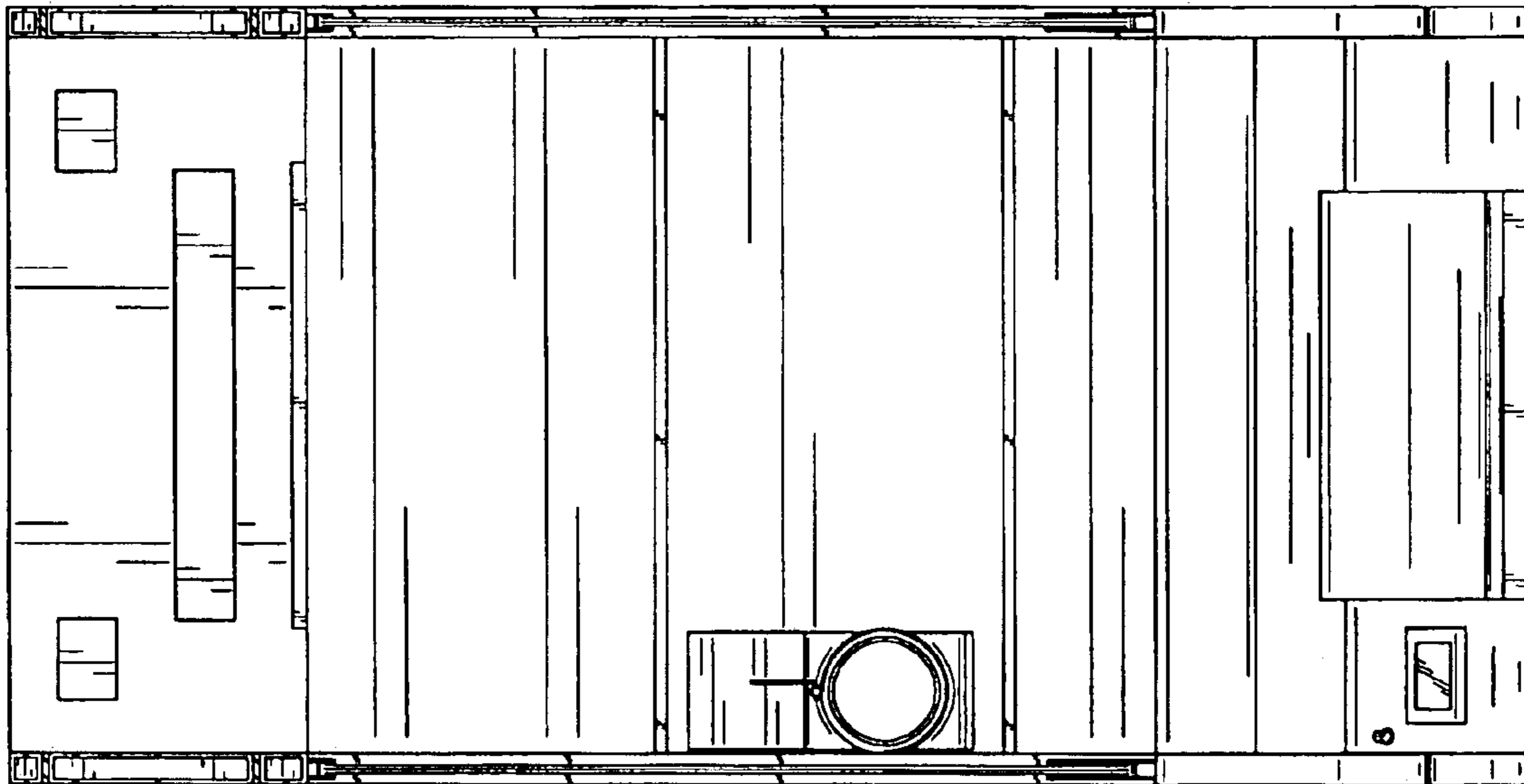


Figure 5