

US00D511529S

(12) **United States Design Patent** (10) **Patent No.:** **US D511,529 S**
Sassano (45) **Date of Patent:** **** Nov. 15, 2005**

(54) **PORTABLE DIGITAL AUDIO PLAYER**

OTHER PUBLICATIONS

(75) Inventor: **Camillo Sassano**, Durham, NC (US)

New Dell DJ20, 1999–2005 (C) From DLL Web Page.*

(73) Assignee: **International Business Machines Corporation**, Armonk, NY (US)

Samsung YP–T5V, 2005 (C) From Web Page.*

San Disk Digital Audio Player From Web Page.*

(**) Term: **14 Years**

* cited by examiner

Primary Examiner—Prabhakar Deshmukh

(21) Appl. No.: **29/213,912**

(74) *Attorney, Agent, or Firm*—James R. Nock

(22) Filed: **Sep. 23, 2004**

(57) **CLAIM**

(51) **LOC (8) Cl.** **14-03**

The ornamental design for a portable digital audio player, as shown and described.

(52) **U.S. Cl.** **D14/496**

(58) **Field of Search** D14/496, 435,
D14/474, 483, 217, 188, 204, 156, 157,
160, 167, 168; 369/1, 2, 75.11, 86, 99,
12; 370/342–344; 455/344–351; 273/148 B;
463/1, 43–47

DESCRIPTION

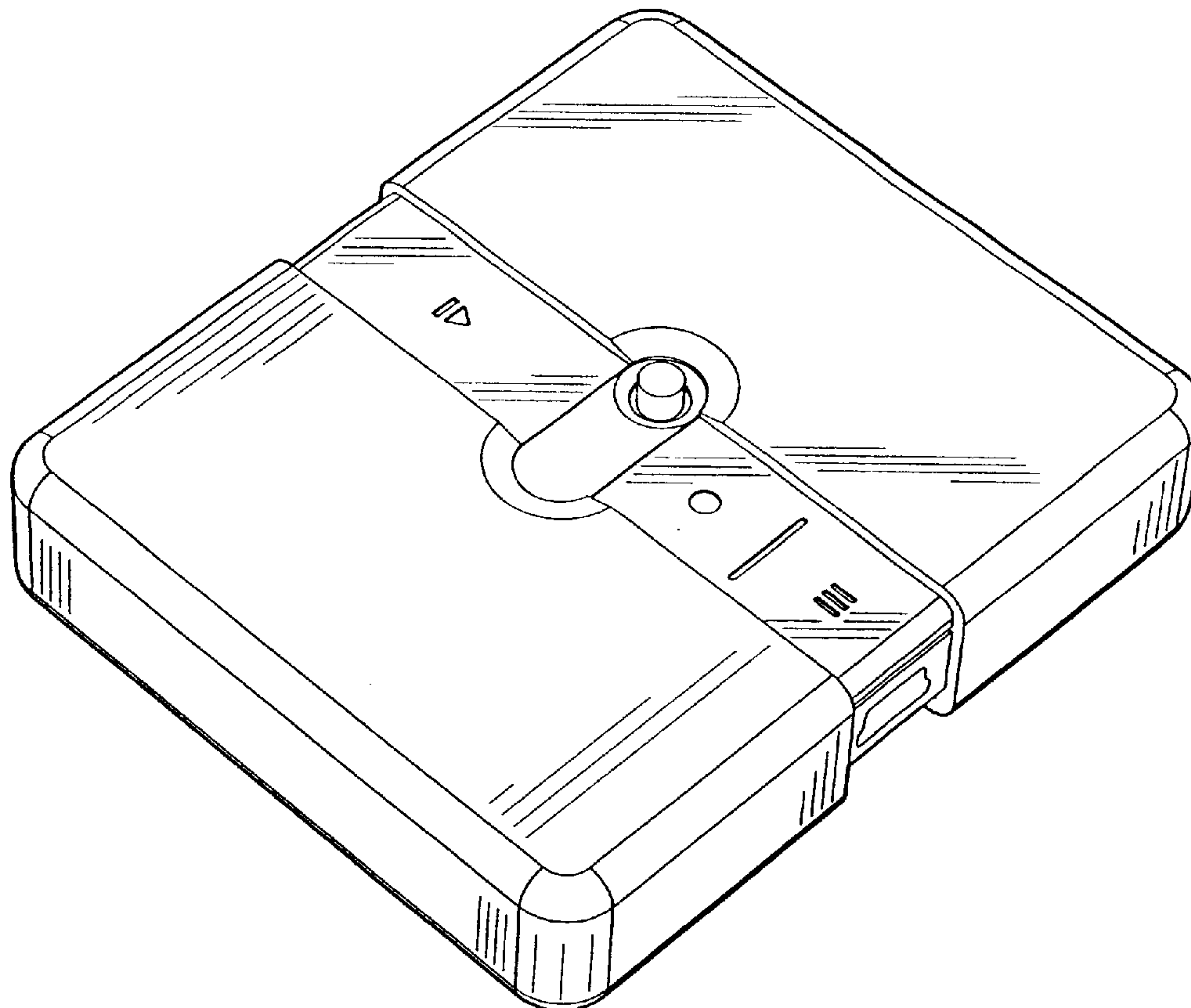
(56) **References Cited**

U.S. PATENT DOCUMENTS

6,041,023 A * 3/2000 Lakhansingh 369/7
6,424,796 B2 * 7/2002 Flannery 386/125
6,606,281 B2 * 8/2003 Cowgill et al. 369/11
6,791,907 B2 * 9/2004 Berhan 369/7
D496,944 S * 10/2004 Huang D14/496
D501,485 S * 2/2005 Lian et al. D14/496
D504,409 S * 4/2005 Kim D14/156

FIG. 1 is a front, left perspective view of the portable digital audio player in a closed position;
FIG. 2 is a front, left perspective view of the portable digital audio player in an open position;
FIG. 3 is a front view thereof, with the player closed;
FIG. 4 is a front view thereof, with the player open;
FIG. 5 is a right view thereof, with the player closed;
FIG. 6 is a right view thereof, with the player open;
FIG. 7 is a left view thereof, with the player closed;
FIG. 8 is a left view thereof, with the player open;
FIG. 9 is a top view thereof; and,
FIG. 10 is a bottom view thereof.

1 Claim, 10 Drawing Sheets



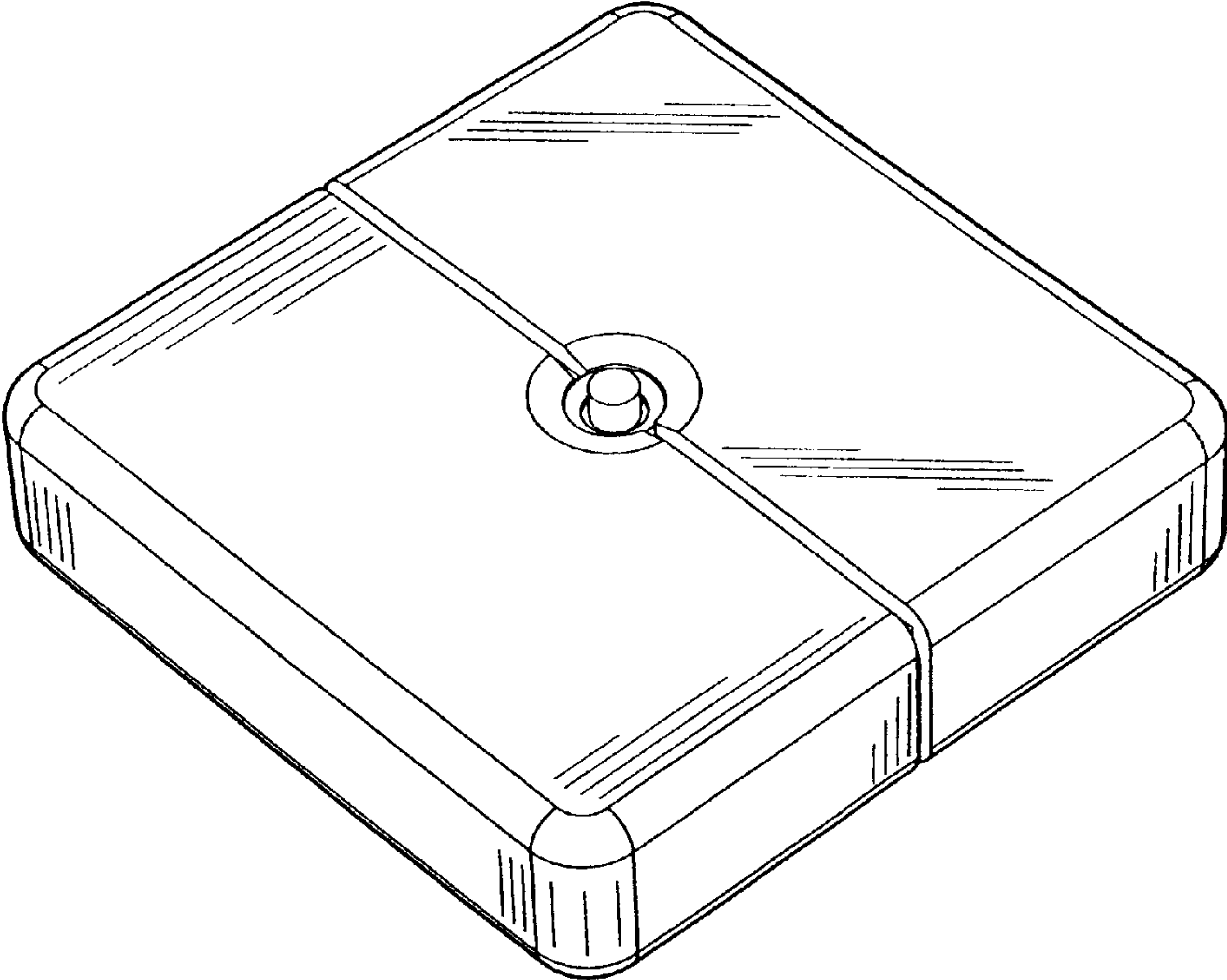


Fig. 1

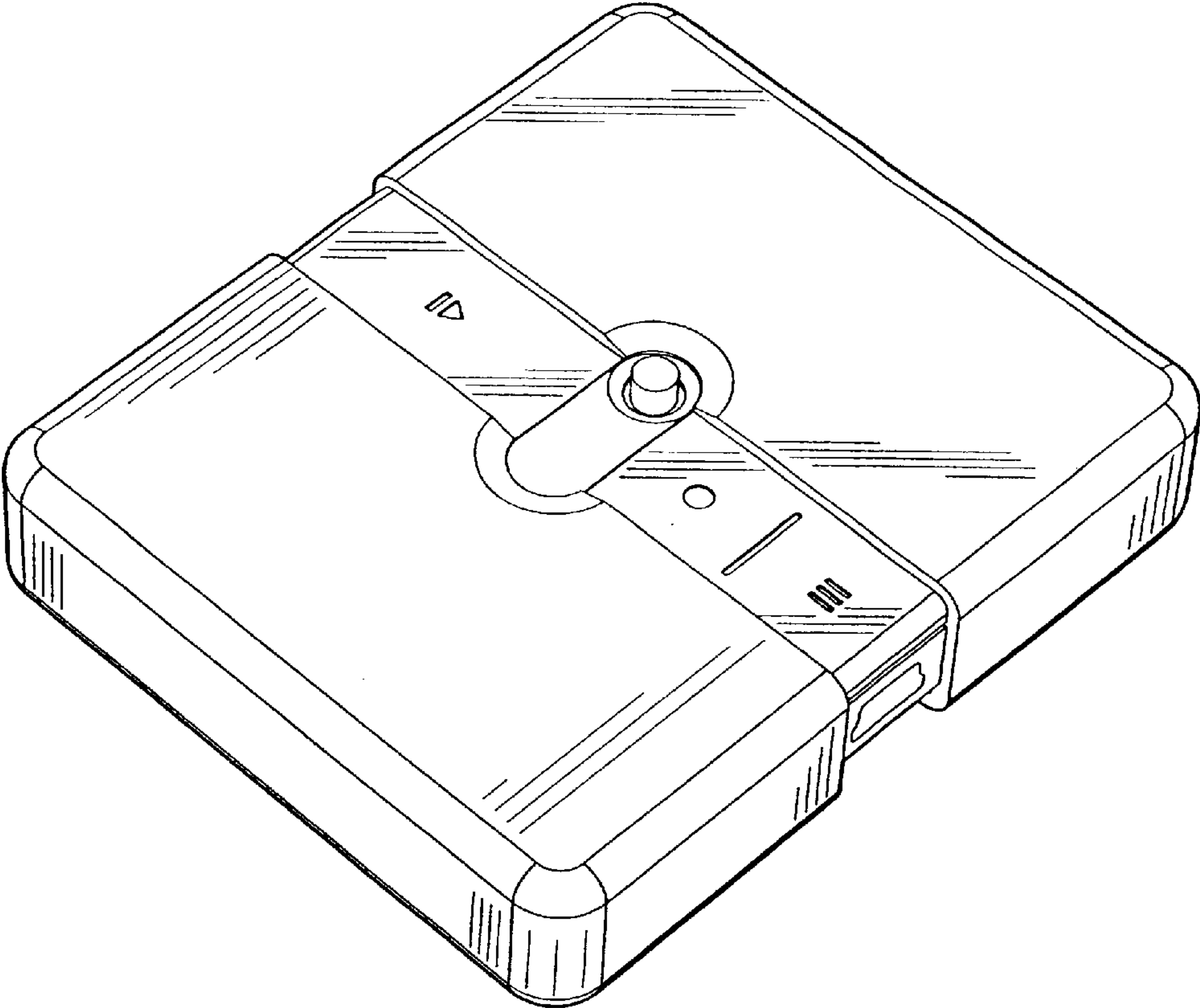


Fig. 2

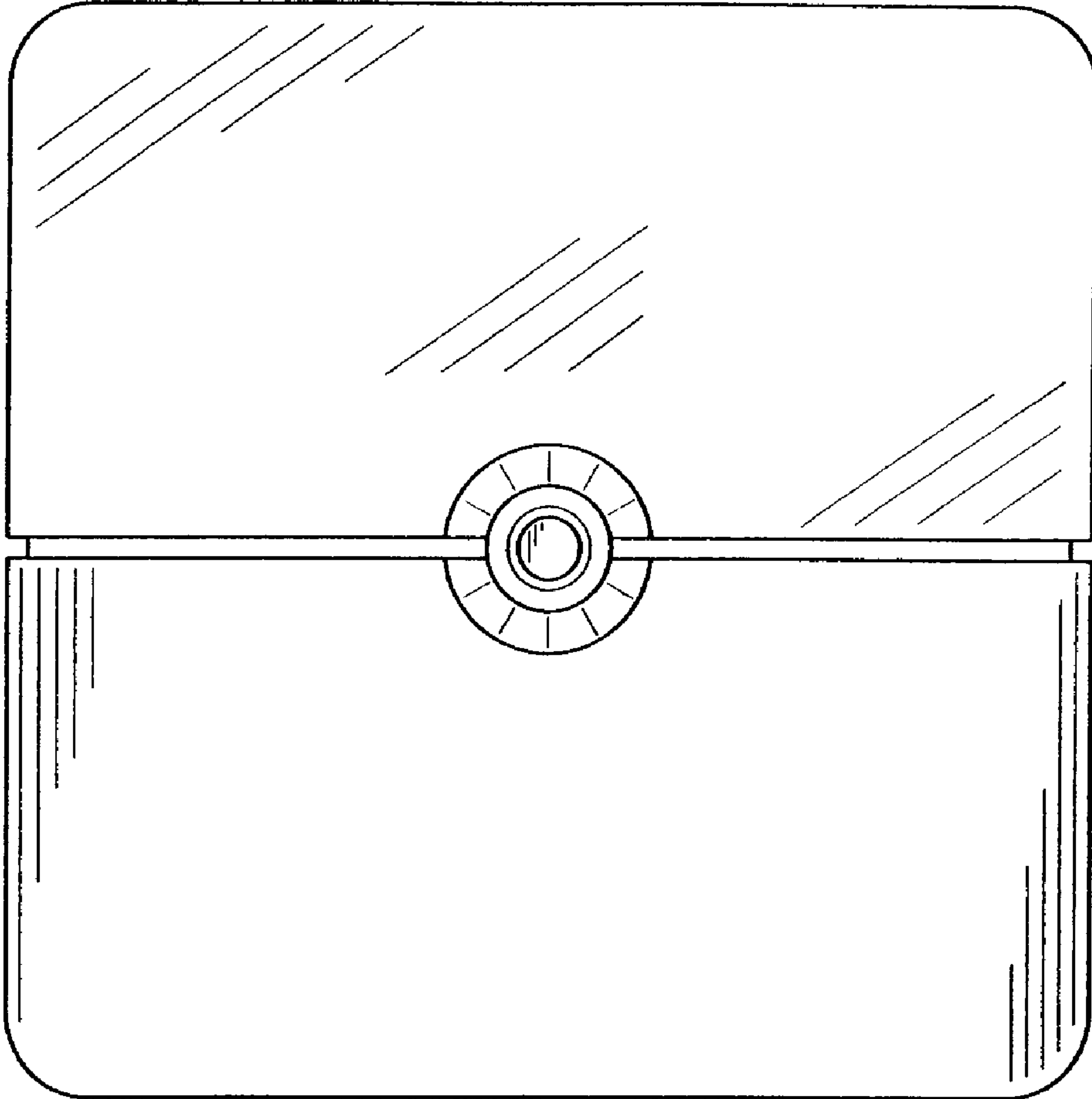


Fig. 3

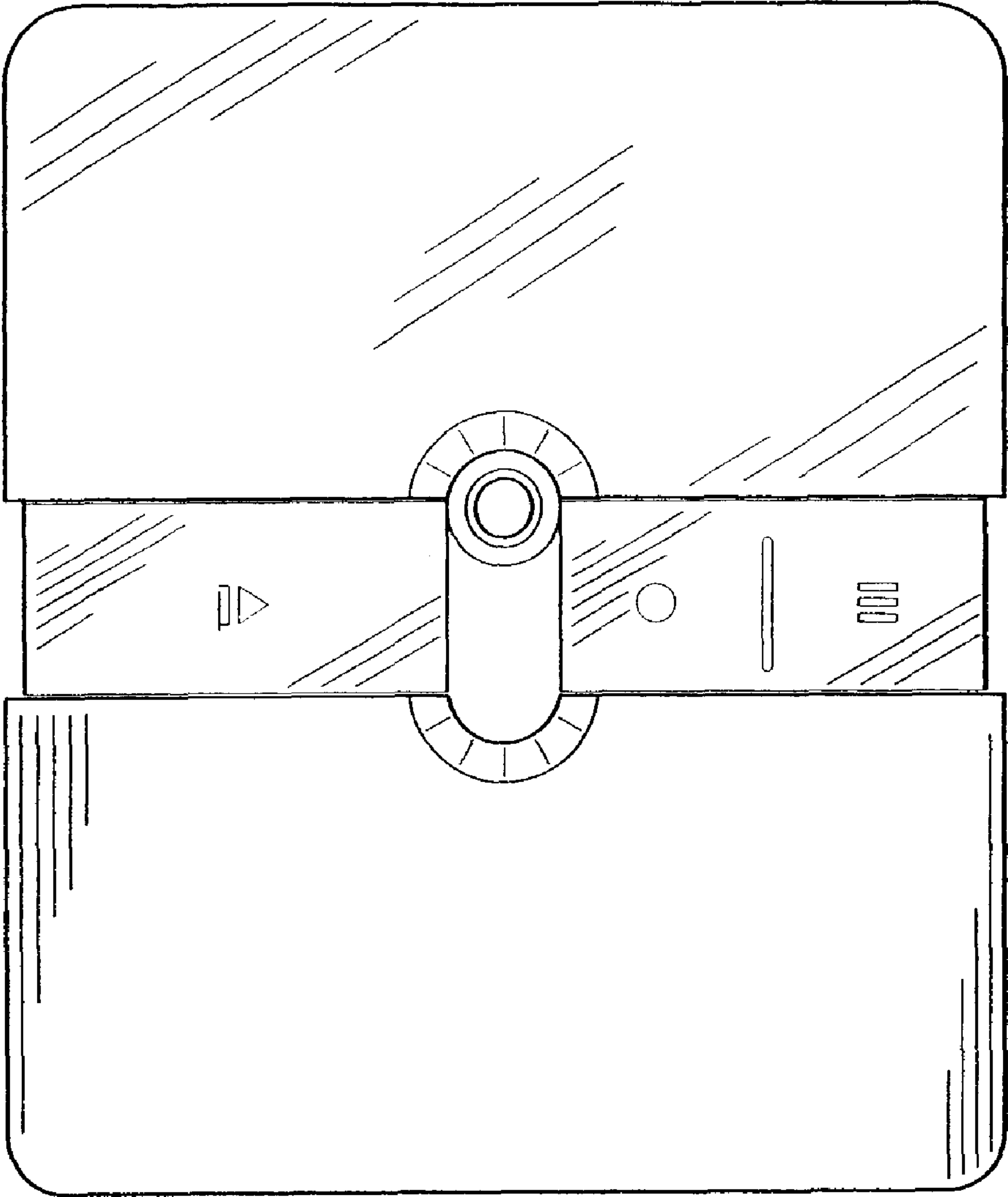


Fig. 4

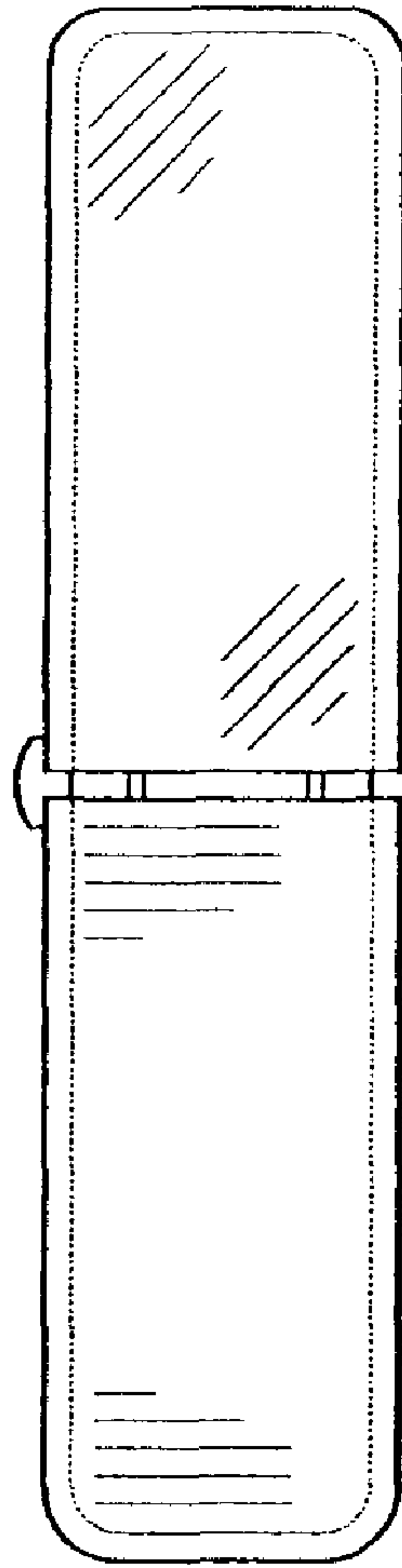


Fig. 5

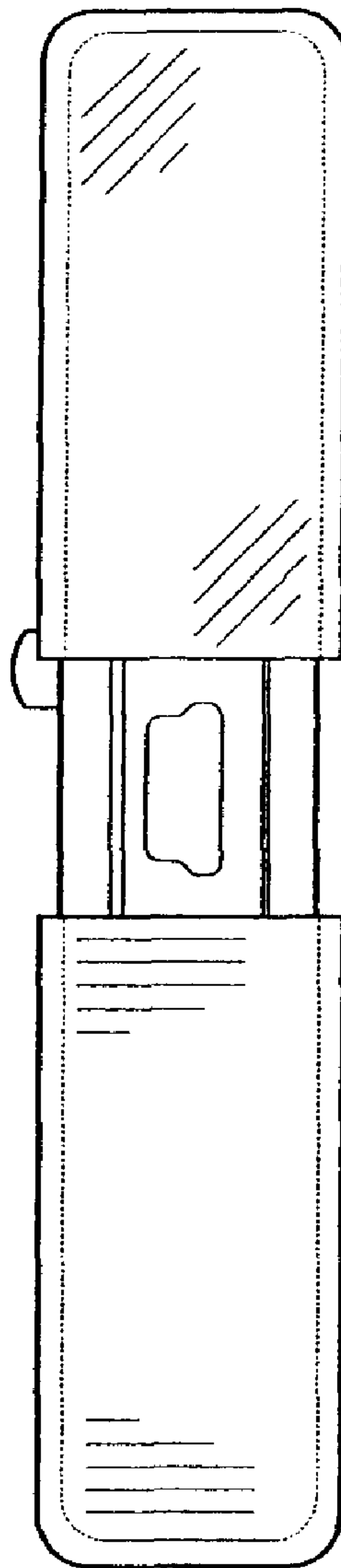


Fig. 6

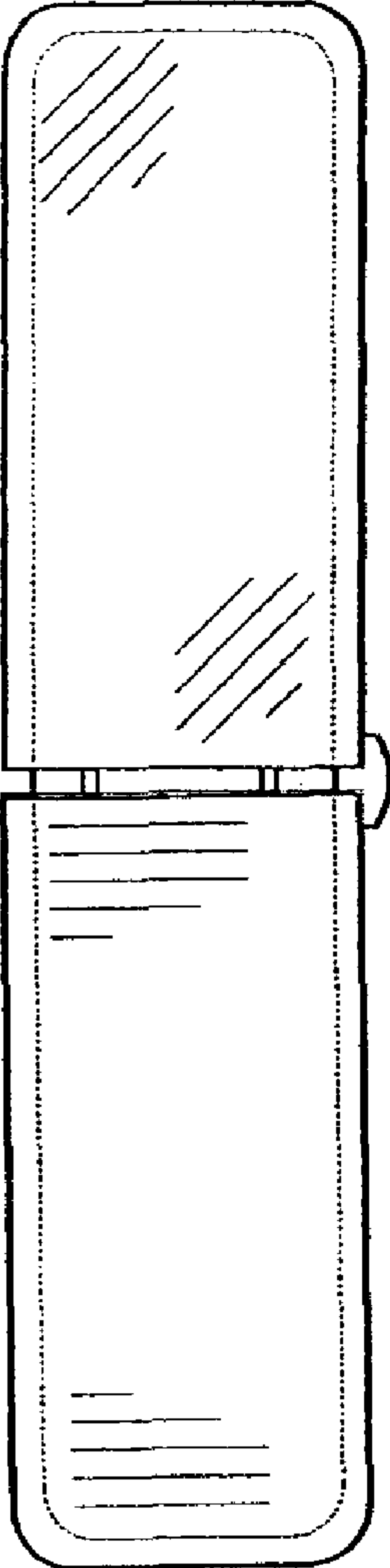


Fig. 7

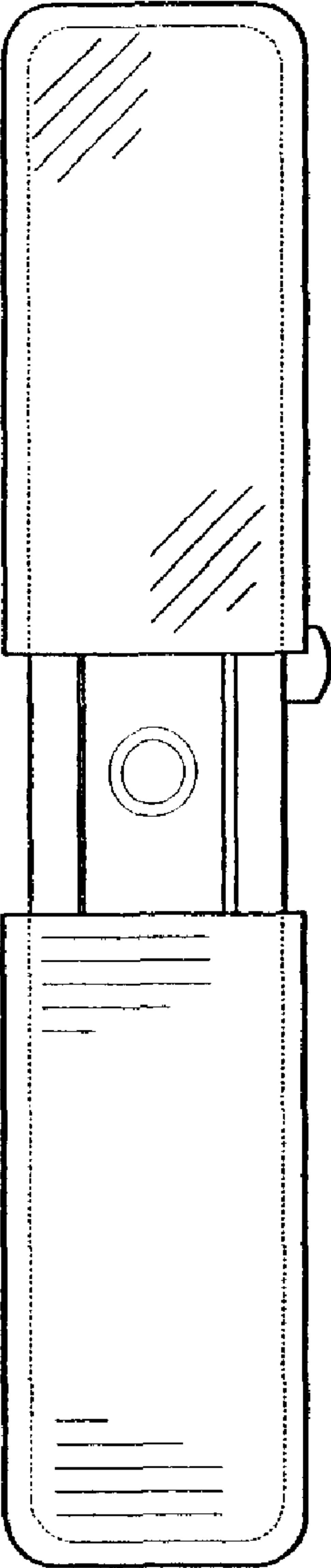


Fig. 8

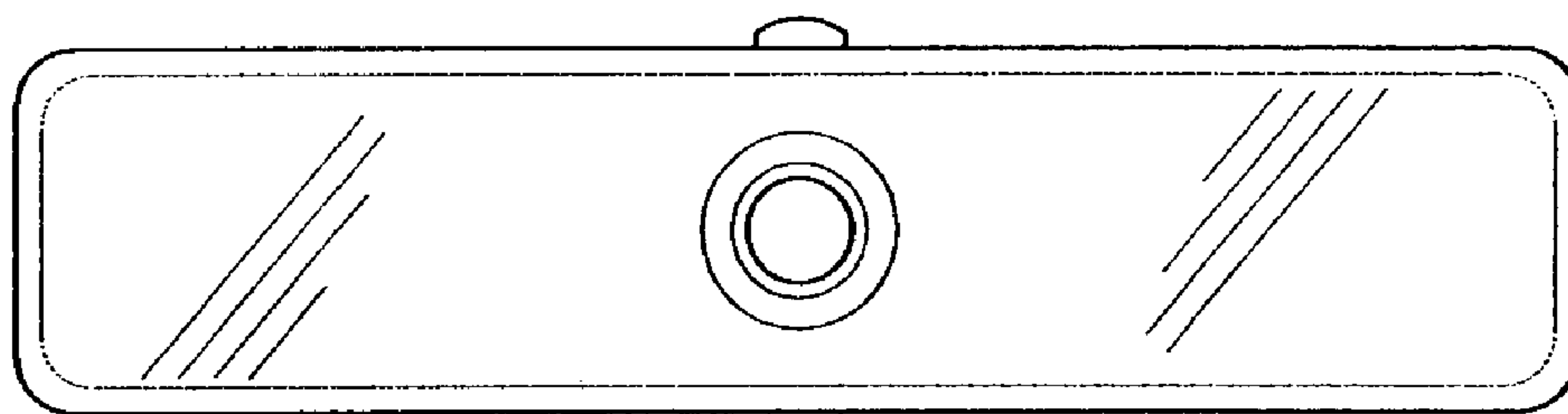


Fig. 9

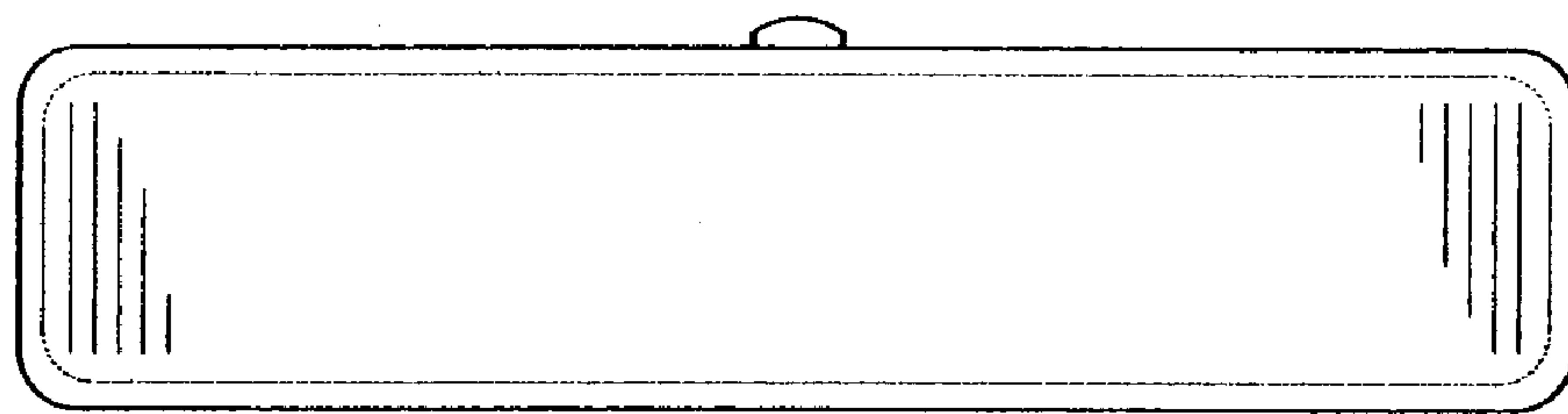


Fig. 10