

US00D511523S

(12) **United States Design Patent** (10) **Patent No.:** **US D511,523 S**  
**Hattori et al.** (45) **Date of Patent:** **\*\* Nov. 15, 2005**

(54) **PRINTER WITH COPYING, SCANNING, AND FACSIMILE FUNCTIONS**

(75) Inventors: **Mitsuharu Hattori**, Nagoya (JP);  
**Yasutake Yamaguchi**, Chiryu (JP)

(73) Assignee: **Brother Industries, Ltd.**, Nagoya (JP)

(\*\*) Term: **14 Years**

(21) Appl. No.: **29/218,815**

(22) Filed: **Dec. 7, 2004**

**Related U.S. Application Data**

(63) Continuation of application No. 29/172,027, filed on Dec. 5, 2002.

(30) **Foreign Application Priority Data**

Dec. 5, 2002 (JP) ..... 2002-15549

(51) **LOC (8) Cl.** ..... **16-02**

(52) **U.S. Cl.** ..... **D14/471; D18/50**

(58) **Field of Search** ..... D18/50, 51, 54-55,  
D18/55.1; D14/462-470; 400/613-613.4,  
691-694, 690.1-690.4

(56) **References Cited**

**U.S. PATENT DOCUMENTS**

D479,730 S 9/2003 Hattori et al.  
D480,732 S 10/2003 Hattori et al.

*Primary Examiner*—Charles A. Rademaker

(74) *Attorney, Agent, or Firm*—Oliff & Berridge, PLC

(57) **CLAIM**

The ornamental design for a printer with copying, scanning and facsimile functions, as shown and described.

**DESCRIPTION**

FIG. 1 is a perspective view of a printer with copying, scanning and facsimile functions;

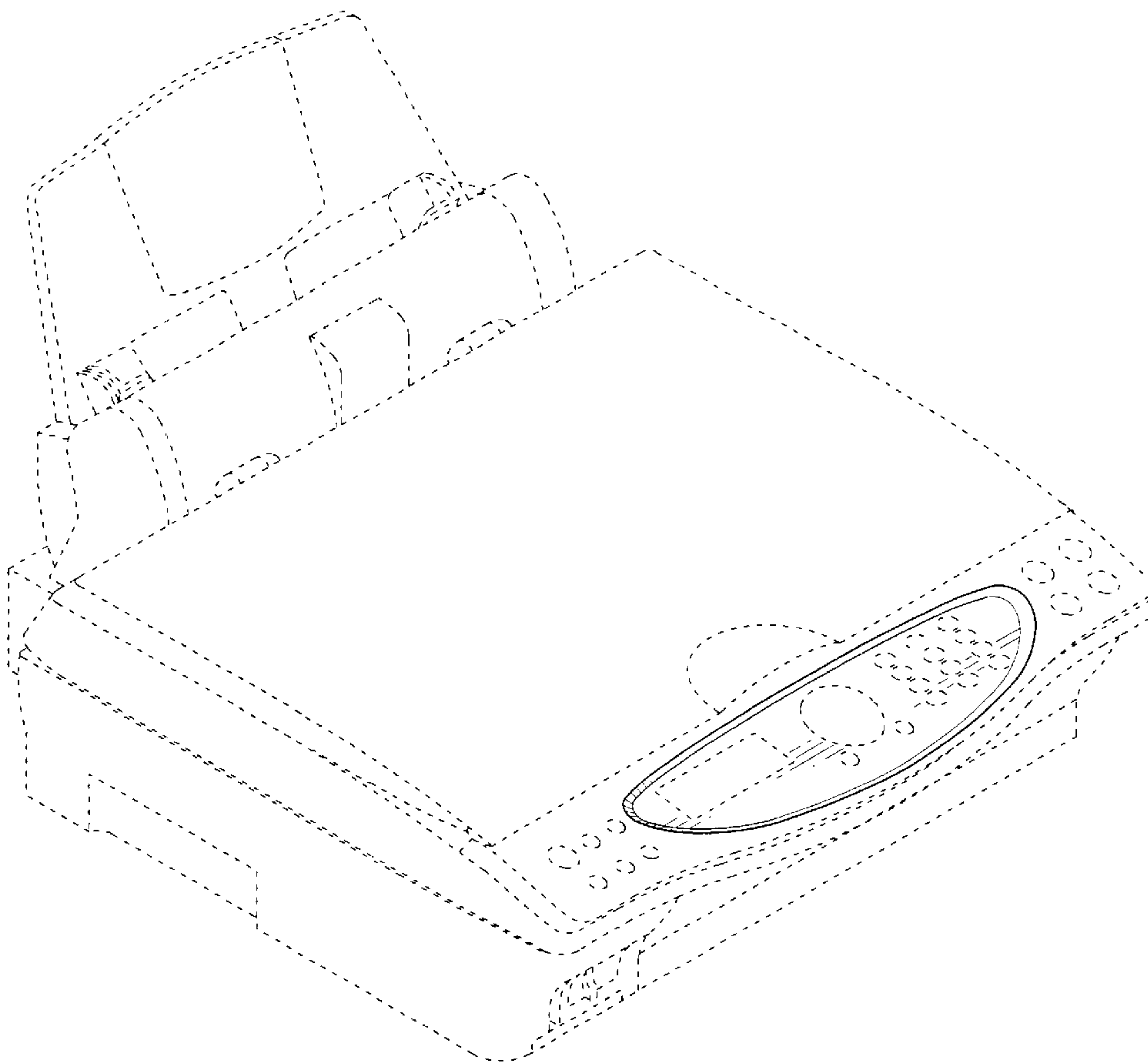
FIG. 2 is a top view thereof;

FIG. 3 is a front view thereof; and,

FIG. 4 is a perspective view thereof with a lid of the printer in an open position.

The broken line showing defines the bounds of the claimed design but does not form part of the claimed design.

**1 Claim, 3 Drawing Sheets**



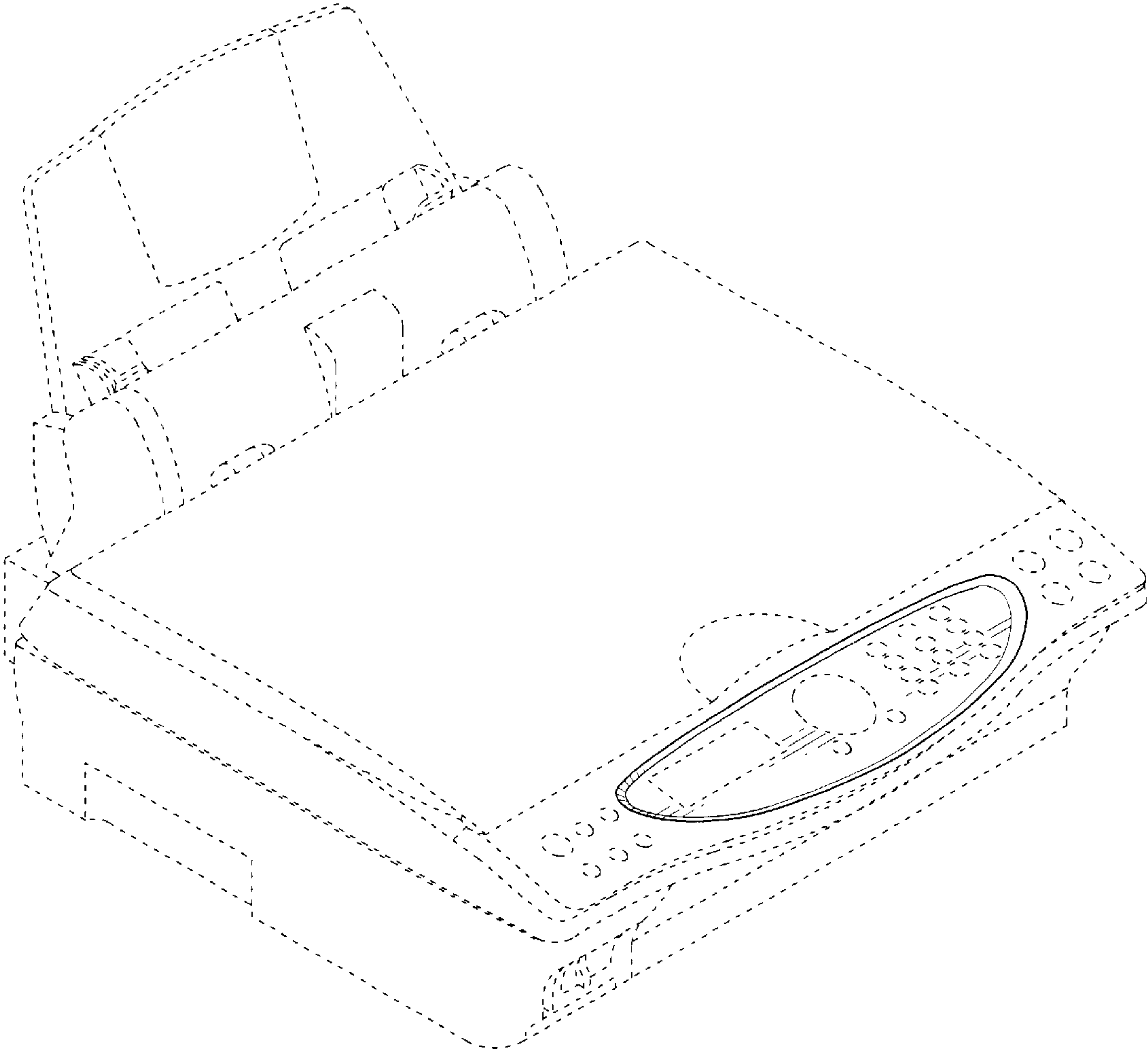


Fig. 1

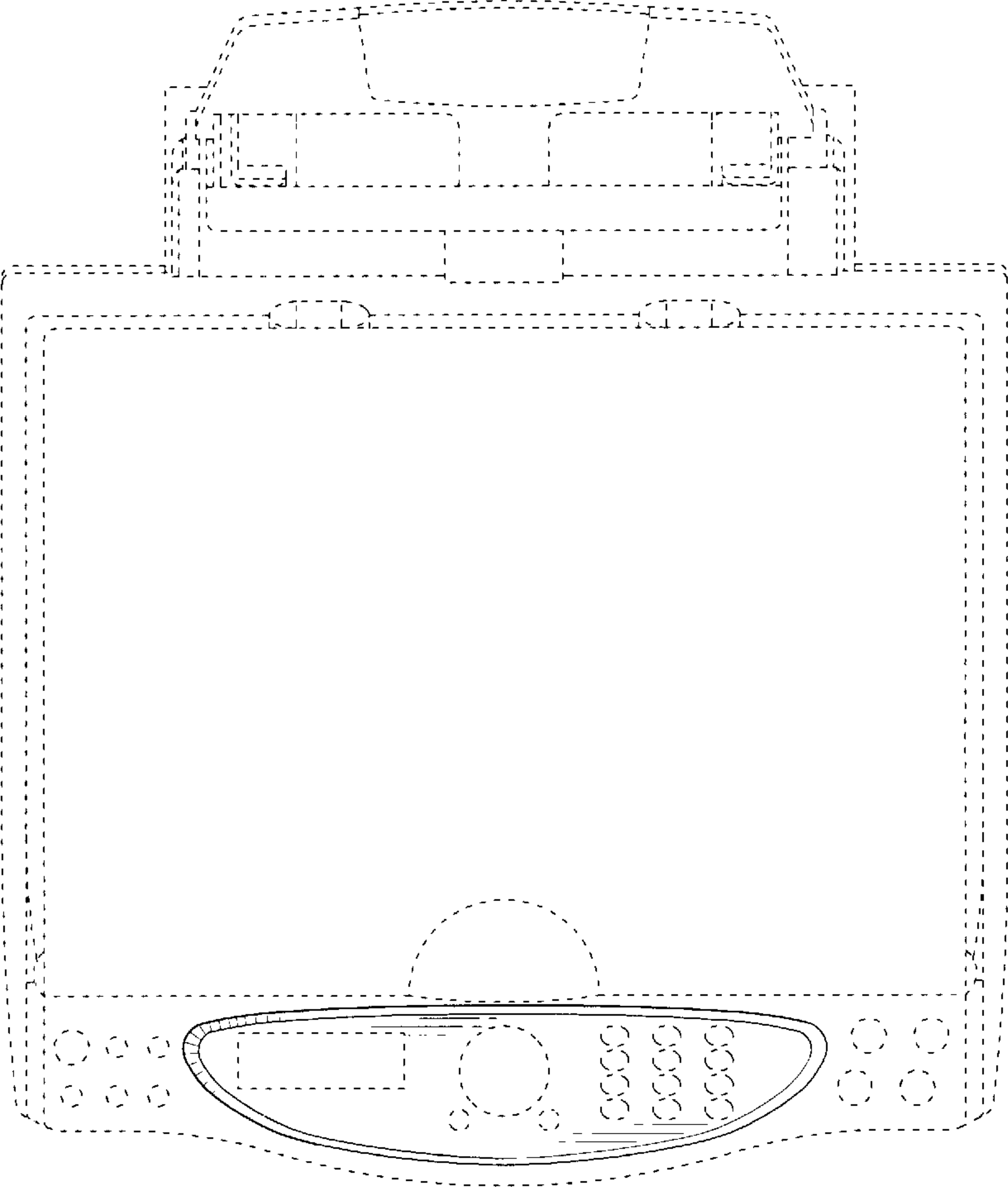


Fig. 2

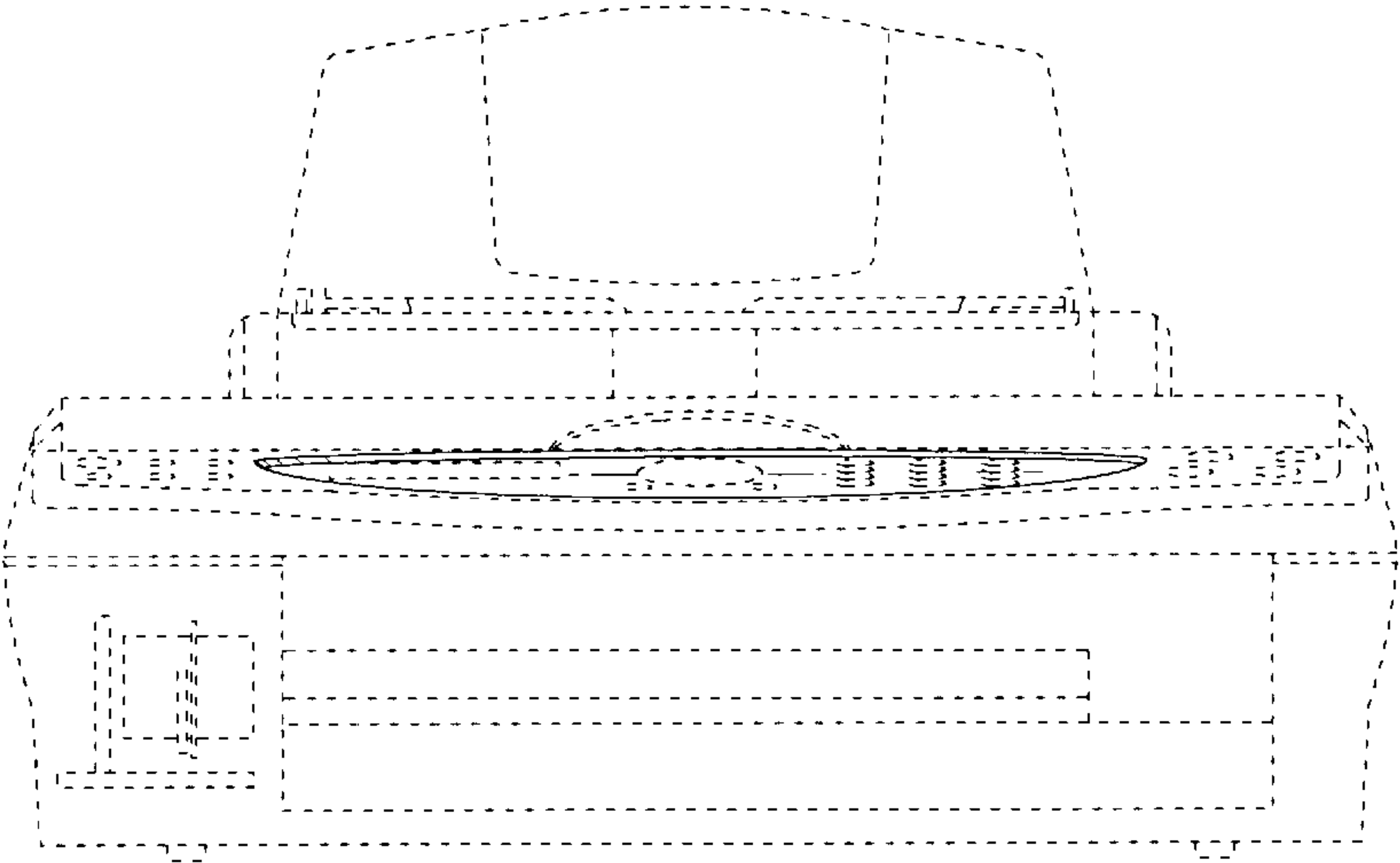


Fig. 3

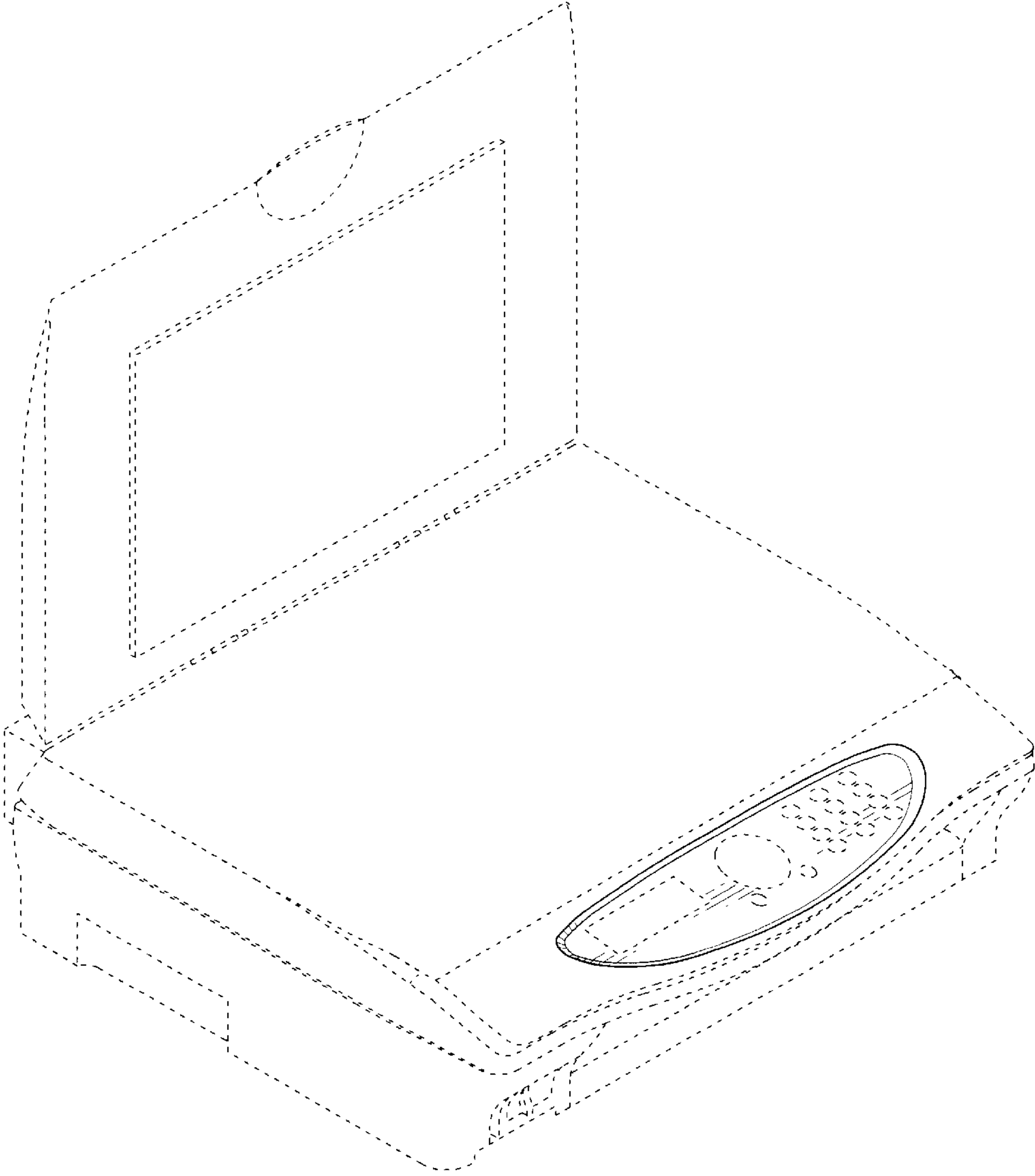


Fig. 4

UNITED STATES PATENT AND TRADEMARK OFFICE  
**CERTIFICATE OF CORRECTION**

PATENT NO. : Des. 511,523 S  
DATED : November 15, 2005  
INVENTOR(S) : Mitsuharu Hattori and Yasutake Yamaguchi

Page 1 of 1


It is certified that error appears in the above-identified patent and that said Letters Patent is hereby corrected as shown below:

Title page.

Item [30], **Foreign Application Priority Data**, "Dec. 5, 2002" should be  
-- June 10, 2002 --.

Signed and Sealed this

Thirty-first Day of January, 2006

A handwritten signature in black ink on a light gray dotted background. The signature reads "Jon W. Dudas" in a cursive style.

JON W. DUDAS

*Director of the United States Patent and Trademark Office*