



US00D511514S

(12) **United States Design Patent**  
**Sonetaka et al.**

(10) **Patent No.: US D511,514 S**  
(45) **Date of Patent: \*\* Nov. 15, 2005**

(54) **DATA INPUT DEVICE**  
(75) Inventors: **Noriyoshi Sonetaka, Tokyo (JP);**  
**Yoshinao Segawa, Tokyo (JP)**  
(73) Assignee: **NEC Corporation, Tokyo (JP)**  
(\*\*) Term: **14 Years**

D389,522 S \* 1/1998 Hesselbach et al. .... D20/10  
D391,565 S \* 3/1998 Nanjo ..... D14/130  
D417,440 S \* 12/1999 Wilson ..... D14/374  
D452,712 S \* 1/2002 Kim ..... D20/10  
D473,554 S \* 4/2003 Landerholm et al. .... D14/302  
D478,582 S \* 8/2003 Becker et al. .... D14/302

\* cited by examiner

(21) Appl. No.: **29/211,235**  
(22) Filed: **Aug. 13, 2004**

*Primary Examiner*—Freda S. Nunn  
(74) *Attorney, Agent, or Firm*—Sughrue Mion, PLLC

(30) **Foreign Application Priority Data**

Feb. 20, 2004 (JP) ..... 2004-004938

(57) **CLAIM**

The ornamental design for a data input device, as shown.

(51) **LOC (8) Cl.** ..... **14-02**  
(52) **U.S. Cl.** ..... **D14/307**  
(58) **Field of Search** ..... D14/130, 302,  
D14/305–308, 374; D6/423, 425, 426, 436,  
480; 312/194, 223.3; D24/234; 52/36.1;  
D20/10

**DESCRIPTION**

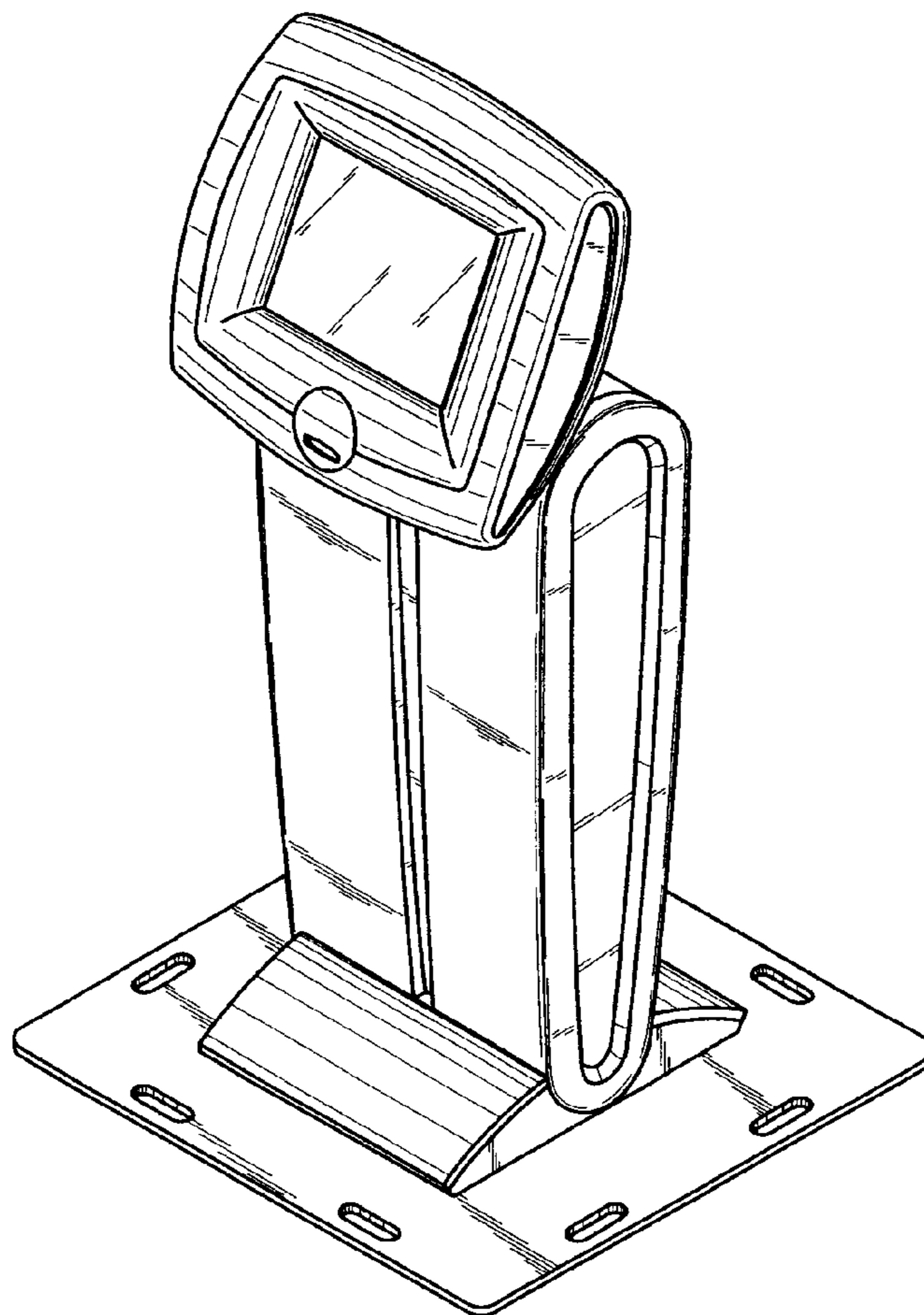
FIG. 1 is a perspective view of the top, front and right side of a data input device showing our new design; FIG. 2 is a front elevational view thereof; FIG. 3 is a rear elevational view thereof; FIG. 4 is a left side elevational view thereof; FIG. 5 is a right side elevational view thereof; FIG. 6 is a top plan view thereof; and, FIG. 7 is a bottom plan view thereof.

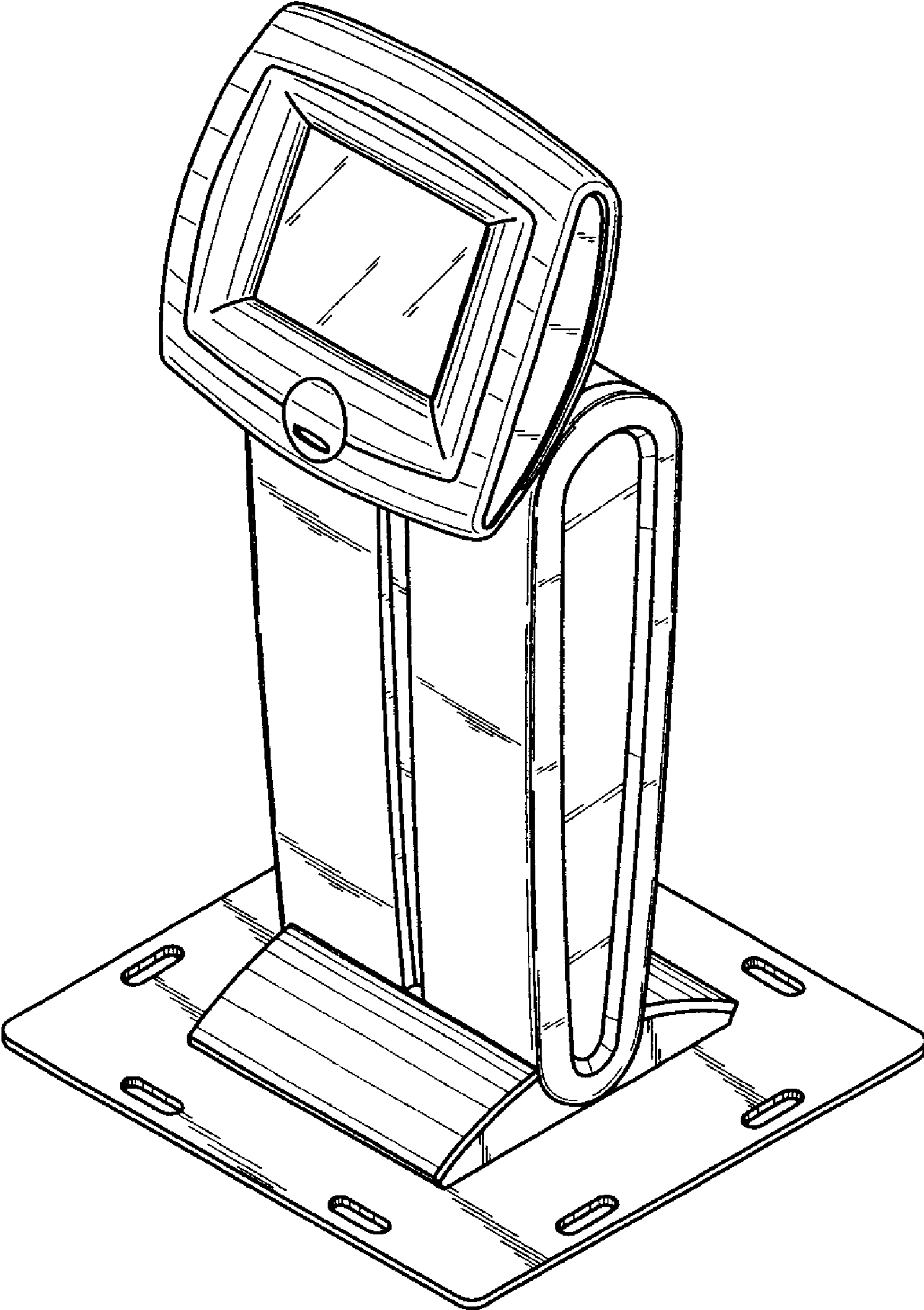
(56) **References Cited**

**U.S. PATENT DOCUMENTS**

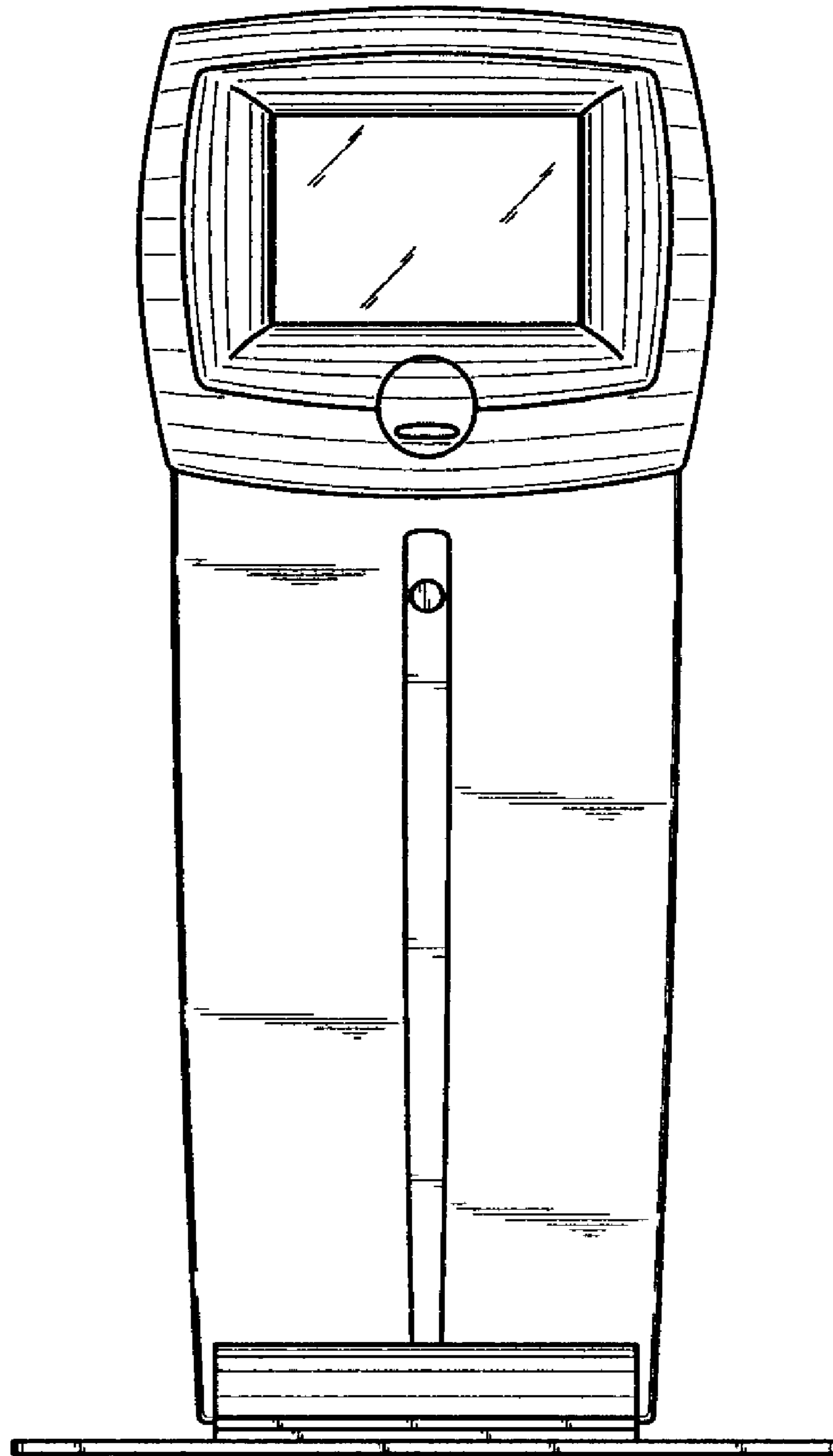
D378,082 S \* 2/1997 Wilson ..... D14/302

**1 Claim, 5 Drawing Sheets**

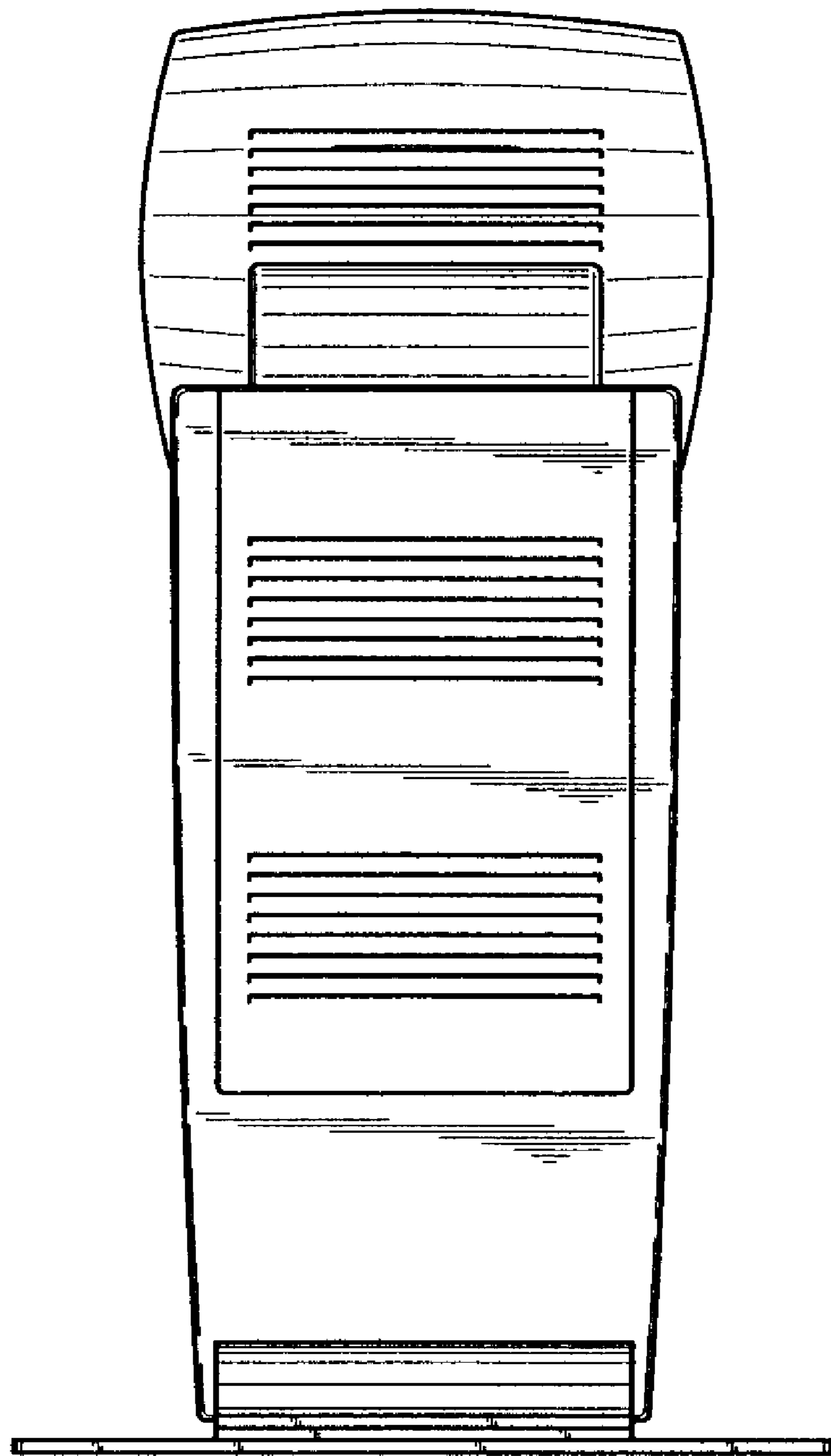




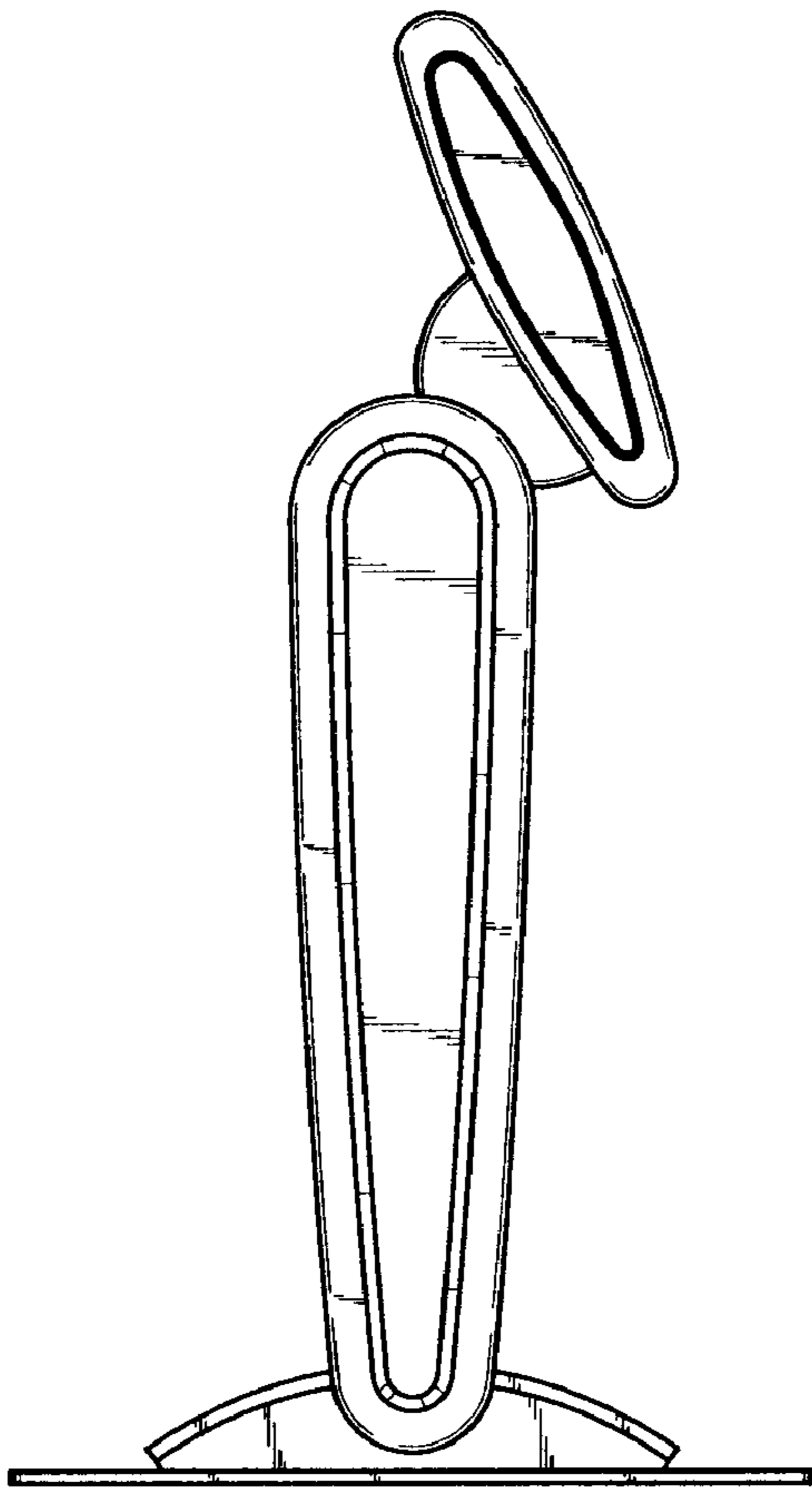
*Fig. 1*



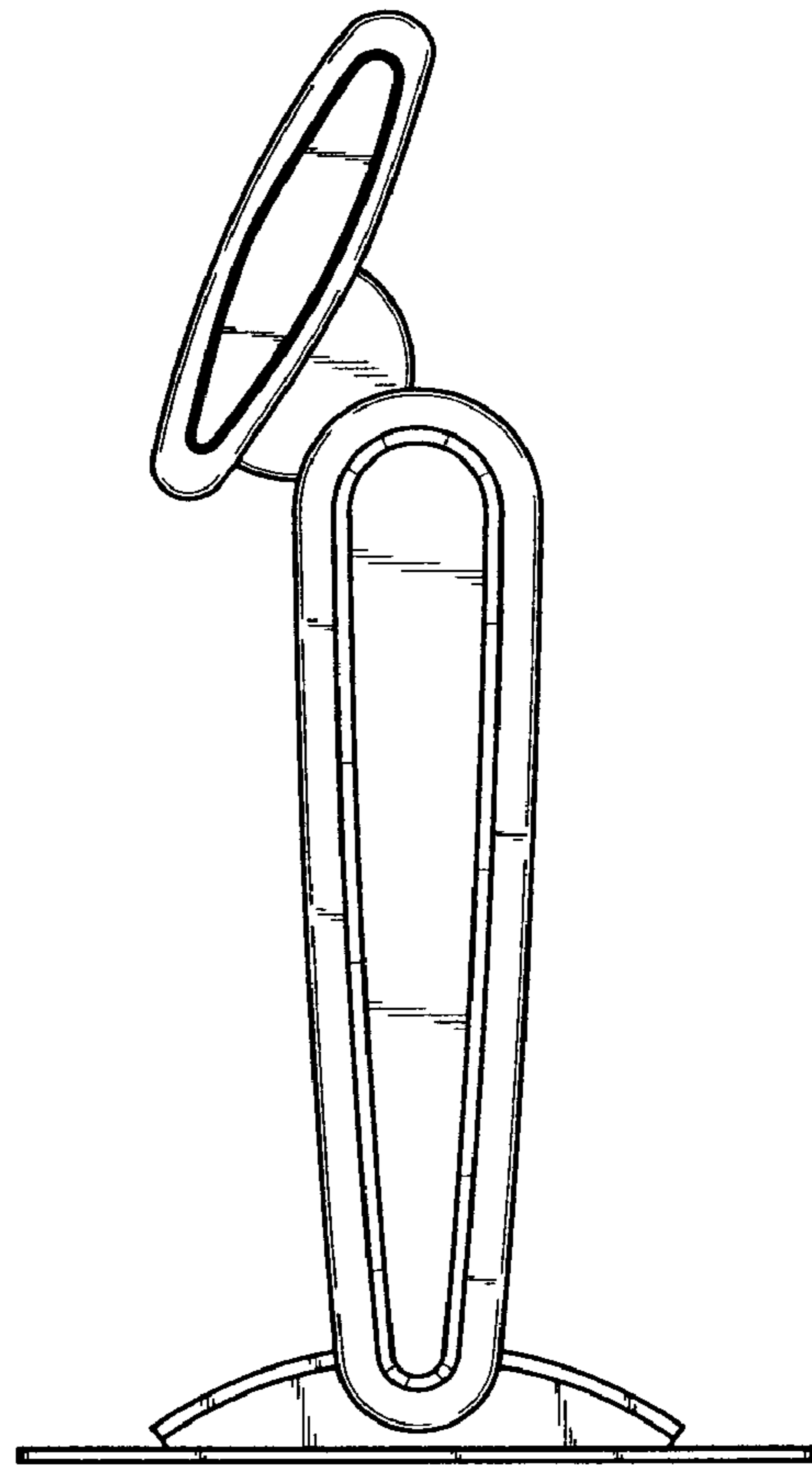
*Fig. 2*



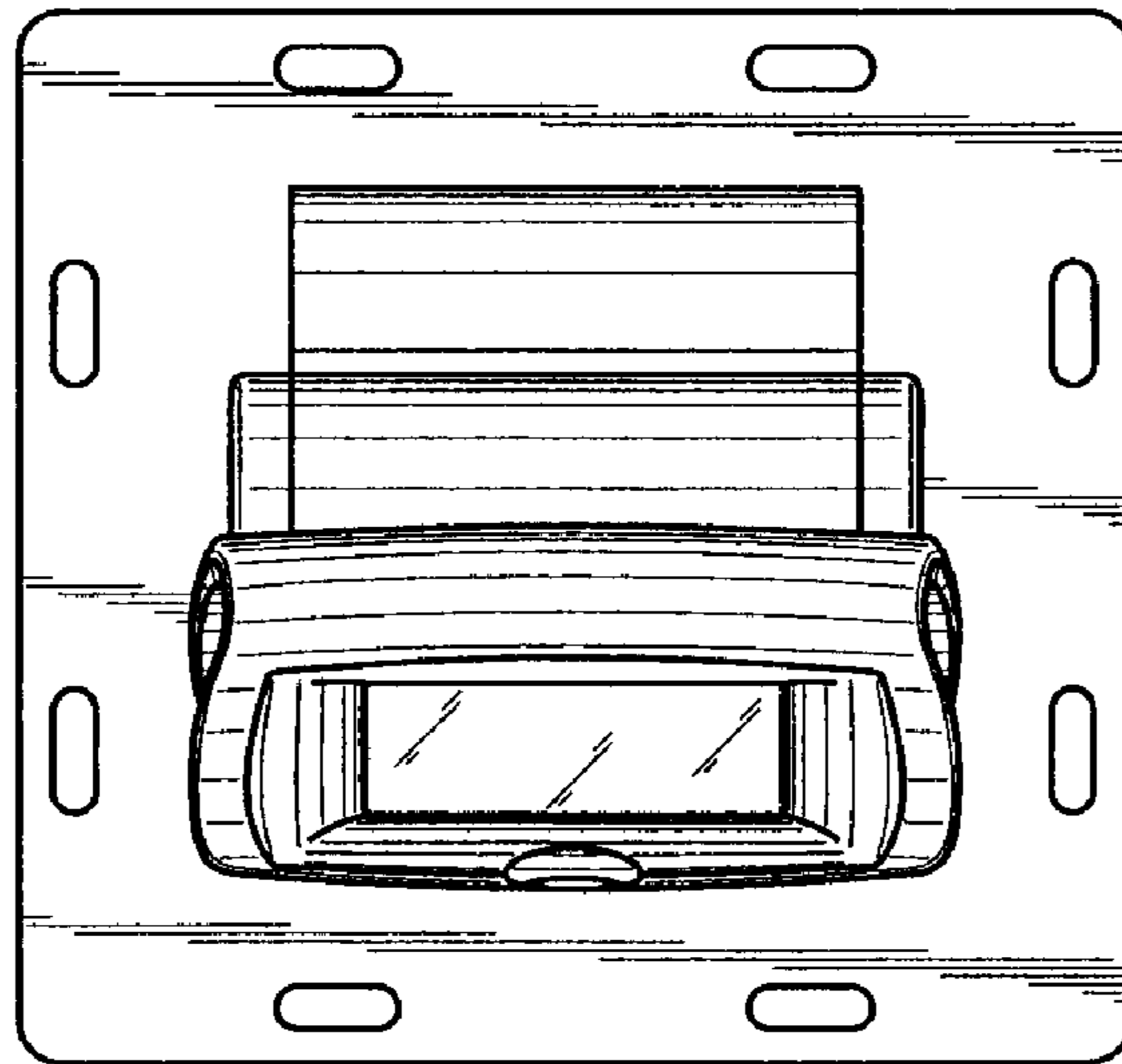
*Fig. 3*



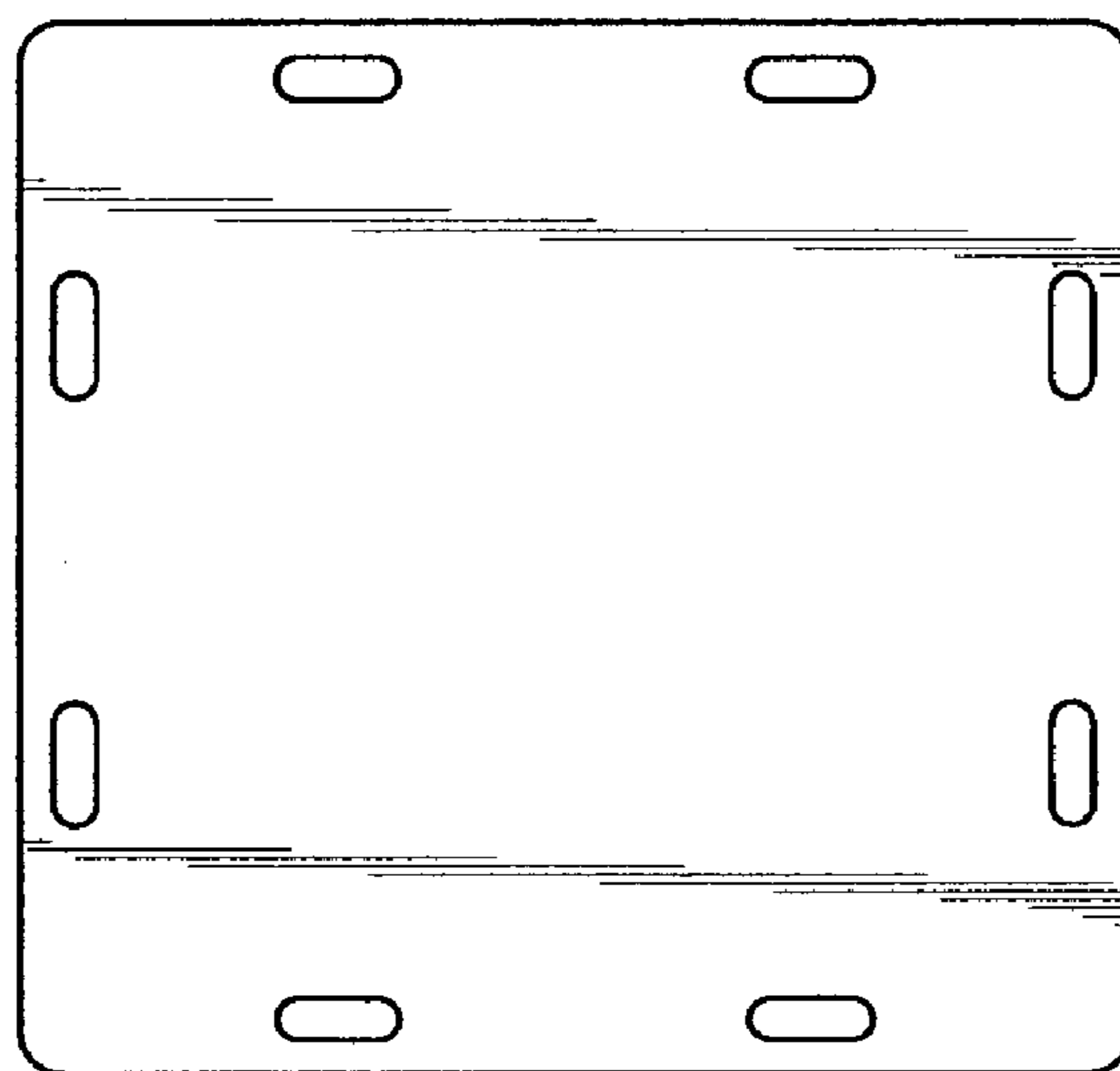
*Fig. 4*



*Fig. 5*



*Fig. 6*



*Fig. 7*