



US00D511513S

(12) **United States Design Patent** (10) **Patent No.:** **US D511,513 S**
Nilsen (45) **Date of Patent:** **** Nov. 15, 2005**

(54) **ACCESSORY FOR A COMMUNICATION DEVICE**

D484,497 S * 12/2003 Alviar et al. D14/240
D496,653 S * 9/2004 Townsend et al. D14/240

(75) Inventor: **Ryan M. Nilsen**, Pompano, FL (US)

* cited by examiner

(73) Assignee: **Motorola, Inc.**, Schaumburg, IL (US)

Primary Examiner—Charles A. Rademaker

(**) Term: **14 Years**

(74) *Attorney, Agent, or Firm*—Design IP

(21) Appl. No.: **29/205,331**

(57) **CLAIM**

(22) Filed: **May 12, 2004**

The ornamental design for an accessory for a communication device, as shown and described.

(51) **LOC (8) Cl.** **14-03**

DESCRIPTION

(52) **U.S. Cl.** **D14/240**

(58) **Field of Search** D14/240, 217,
D14/218, 299, 241–256; 455/151.1–151.4,
152.1, 352–355; D13/168

FIG. 1 is a front perspective view of an accessory for a communication device showing my new design;
FIG. 2 is a front elevation thereof;
FIG. 3 is a rear elevation thereof;
FIG. 4 is a top plan view thereof;
FIG. 5 is a bottom plan view thereof;
FIG. 6 is a right side elevation thereof; and,
FIG. 7 is a left side elevation thereof.

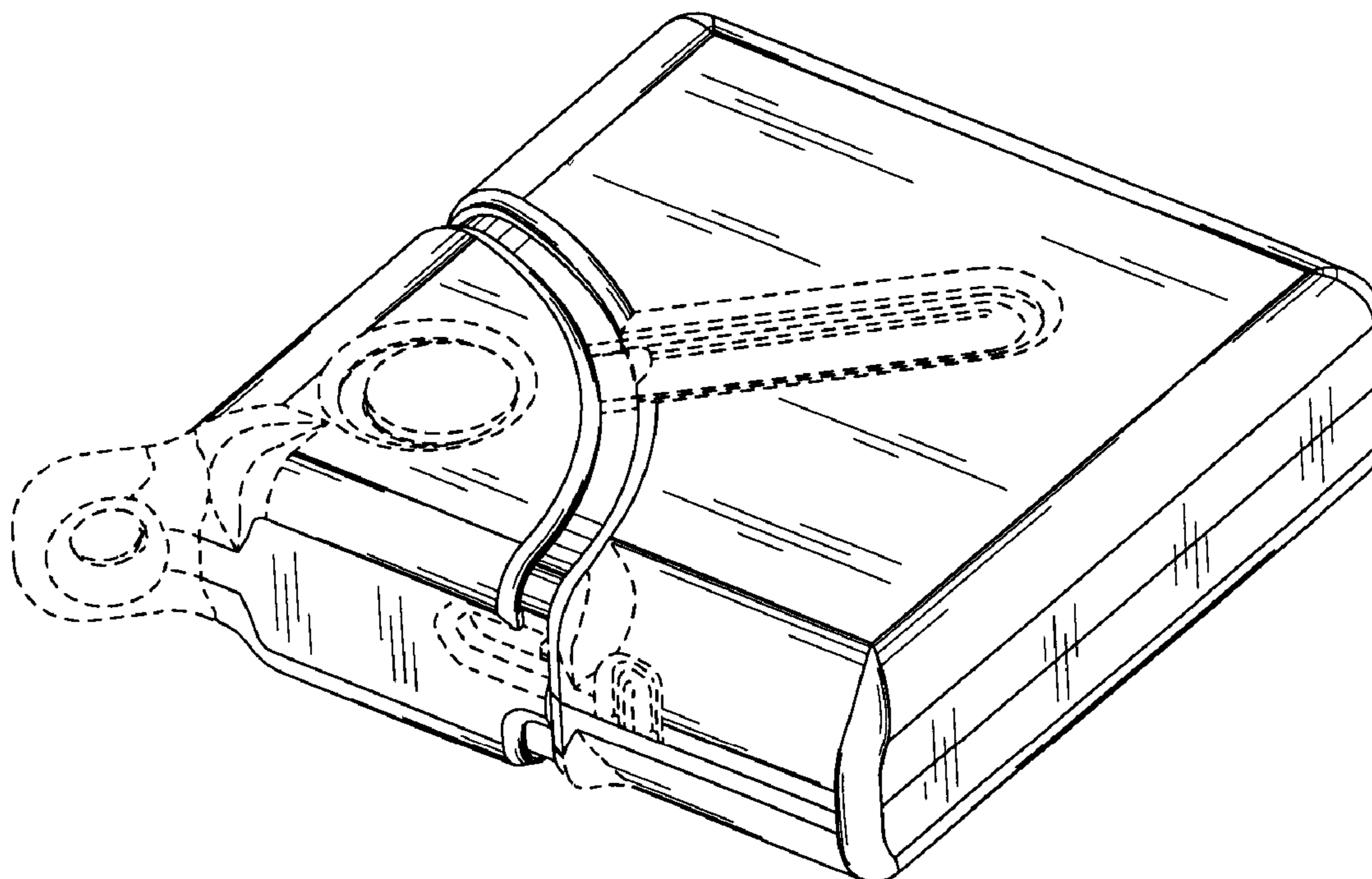
(56) **References Cited**

U.S. PATENT DOCUMENTS

- D413,893 S * 9/1999 Luzbetak et al. D14/240
- D415,769 S * 10/1999 Waldner D14/240
- D435,041 S * 12/2000 Coker et al. D14/240
- D460,443 S * 7/2002 Brunner et al. D14/240
- D464,337 S * 10/2002 Arpe D14/240
- D465,215 S * 11/2002 Hill et al. D14/240

The broken lines shown in FIGS. 1–7 are included for the purpose of illustrating environmental elements only and form no part of the claimed design.

1 Claim, 3 Drawing Sheets



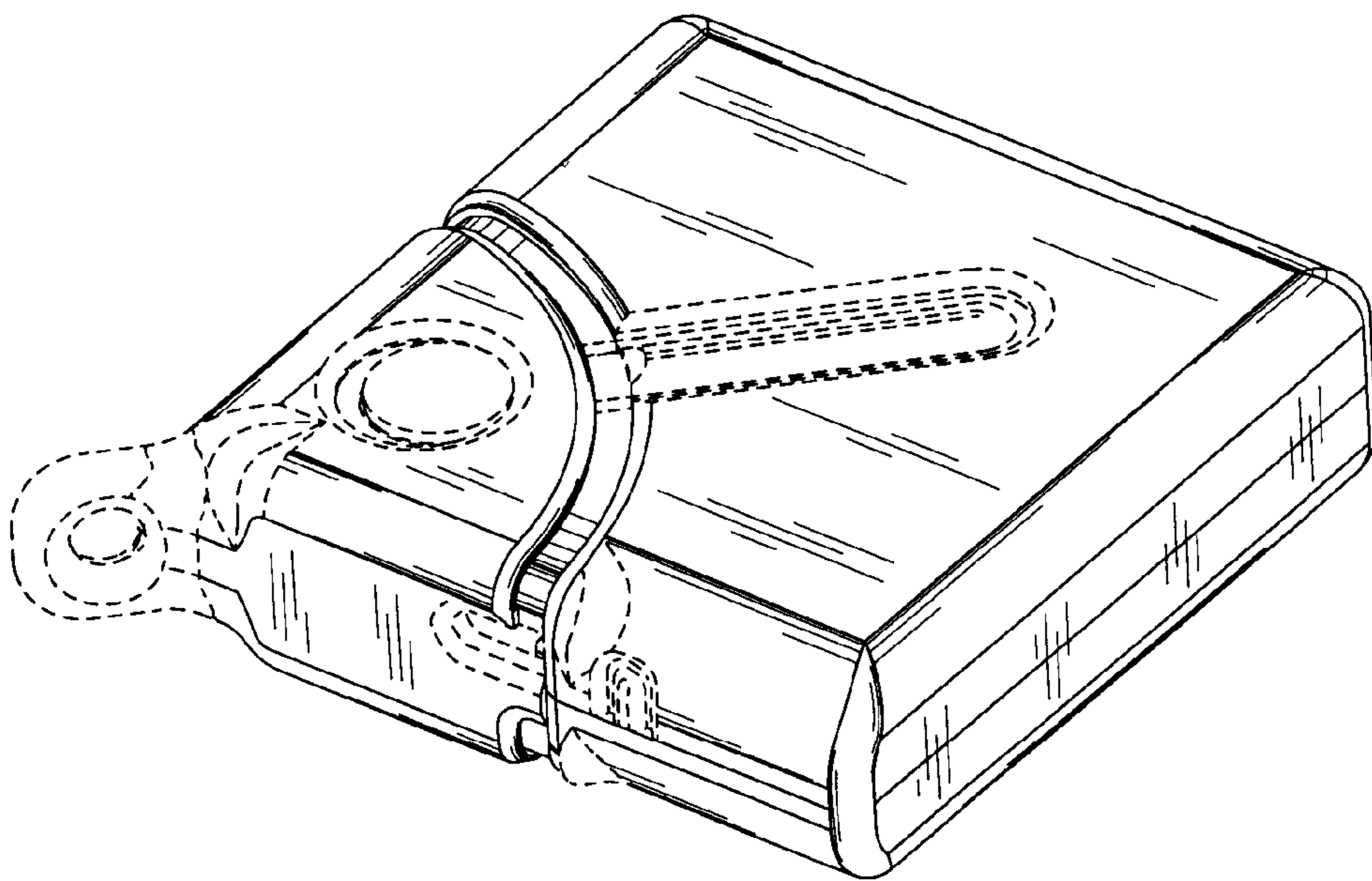


FIG. 1

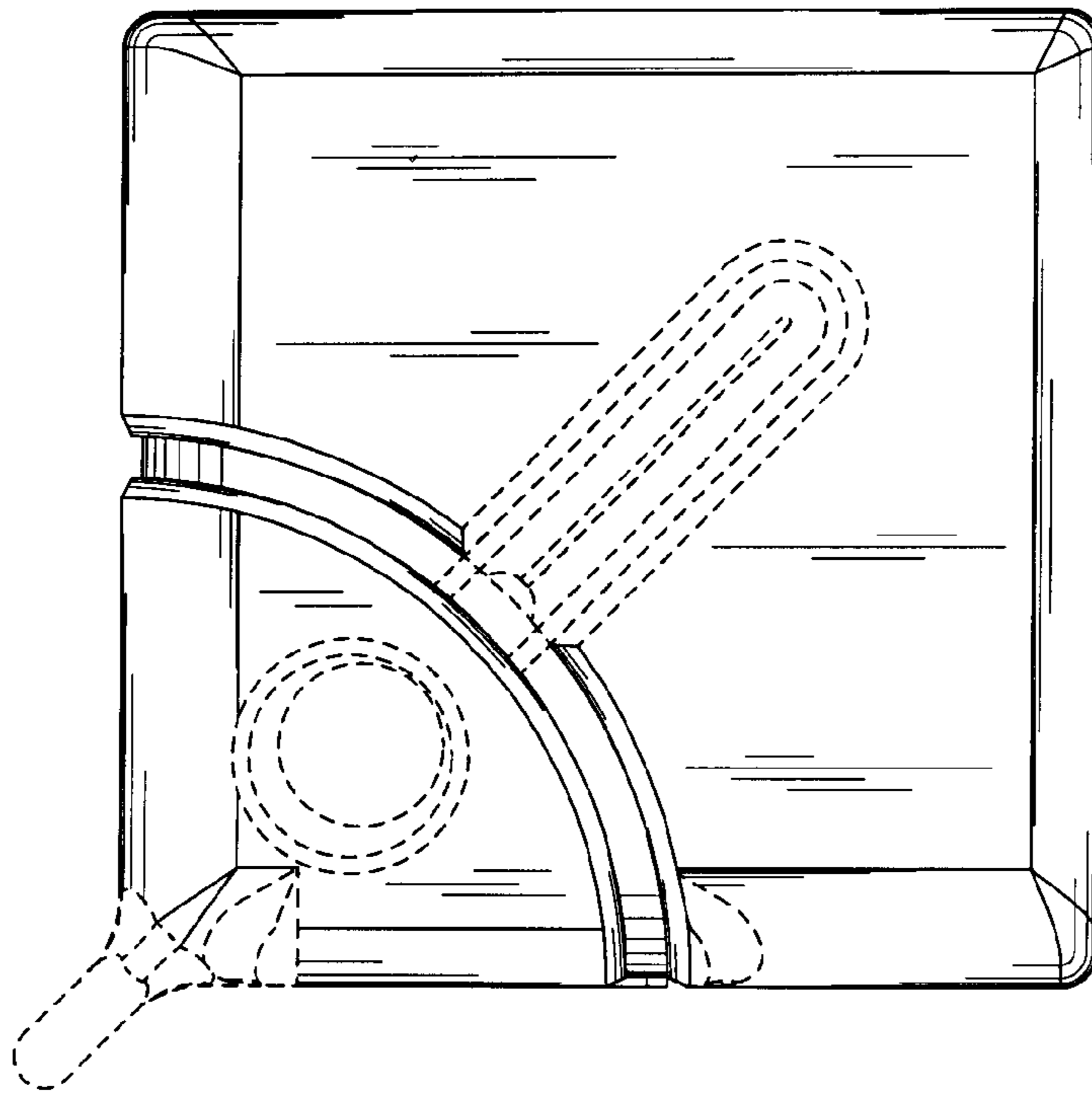
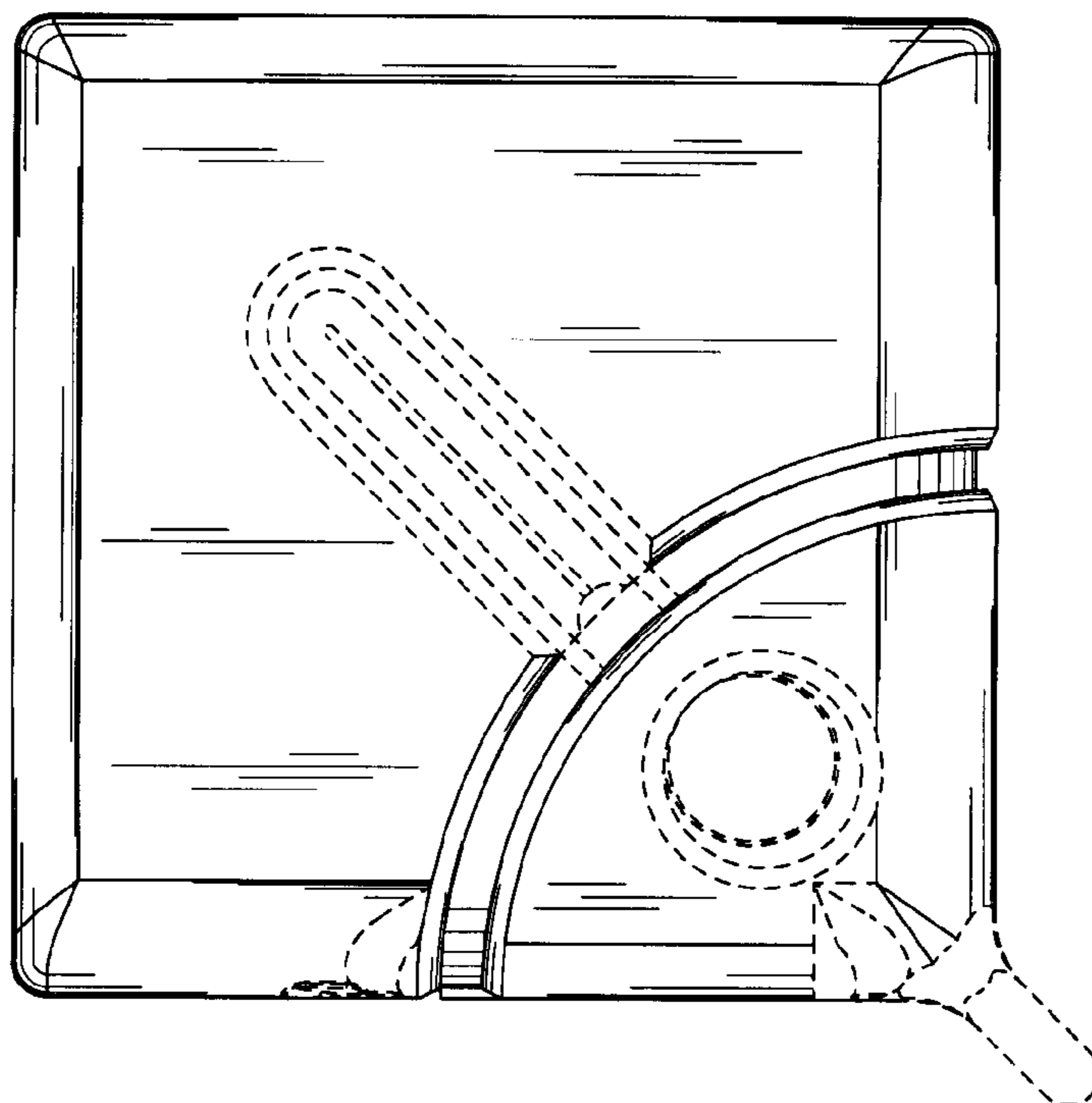


FIG. 2

FIG. 3



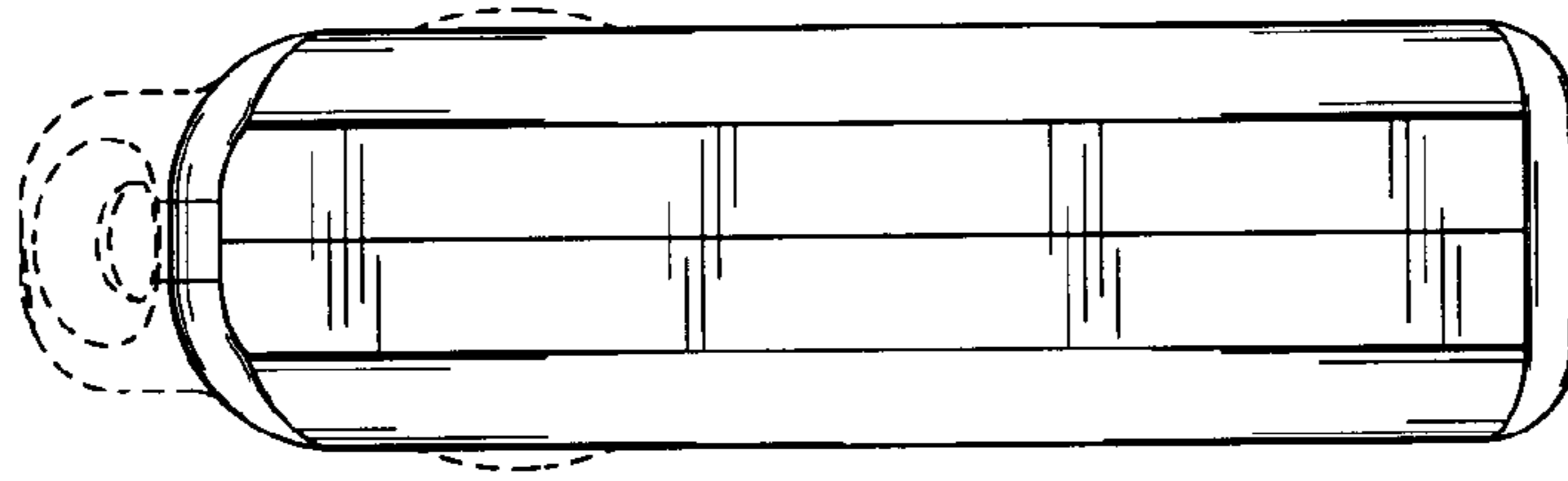


FIG. 4

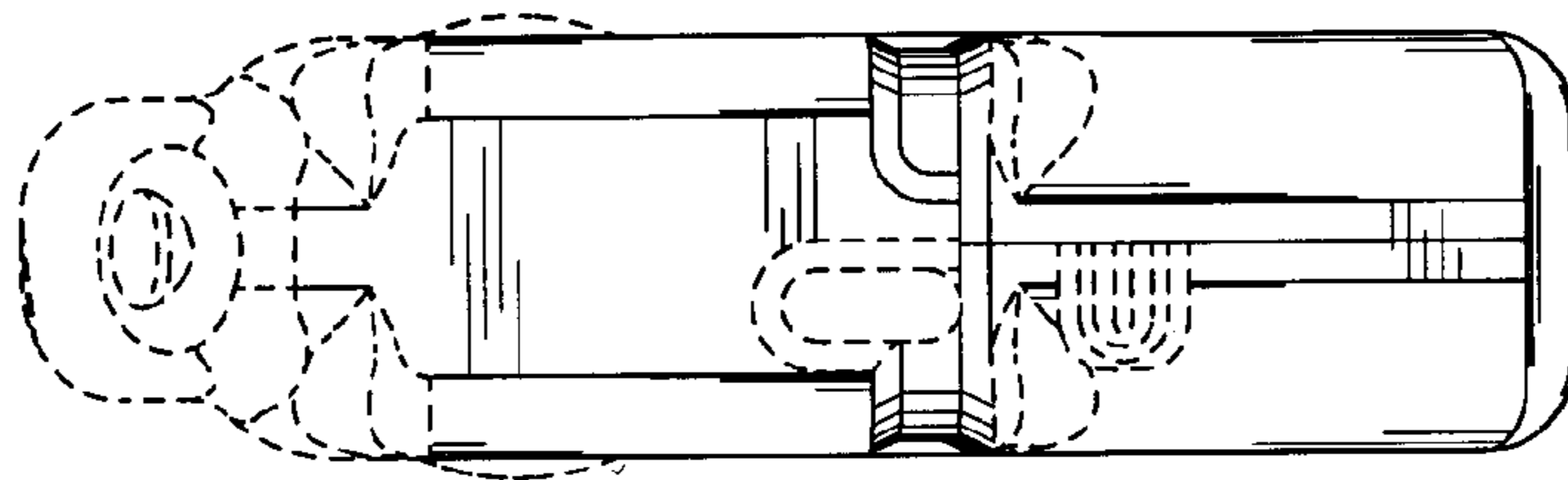


FIG. 5

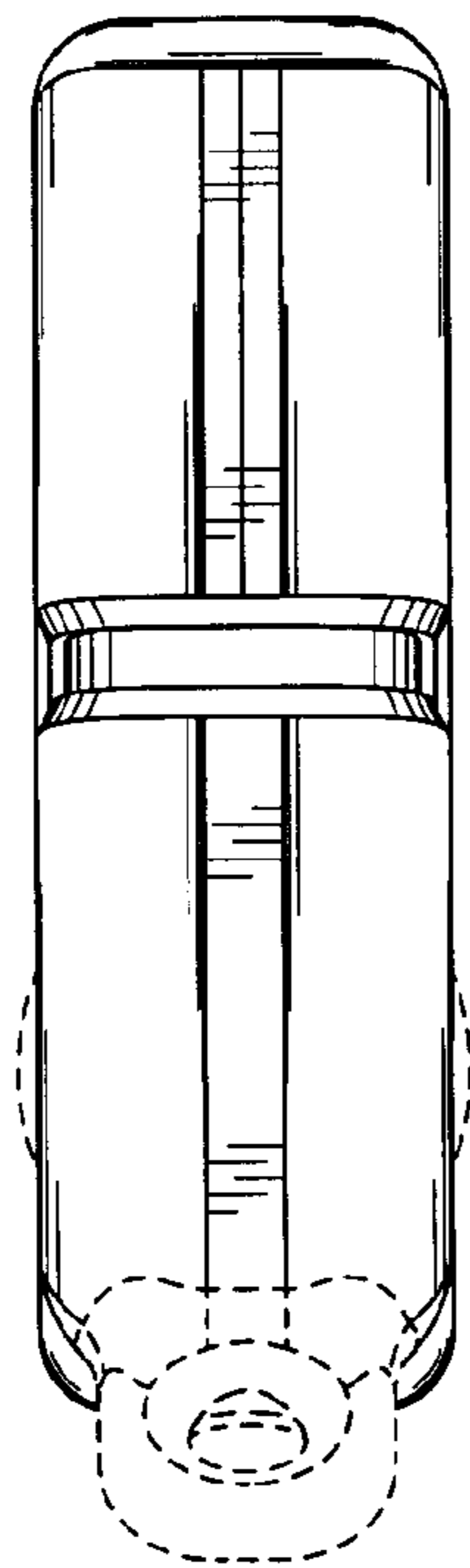


FIG. 6

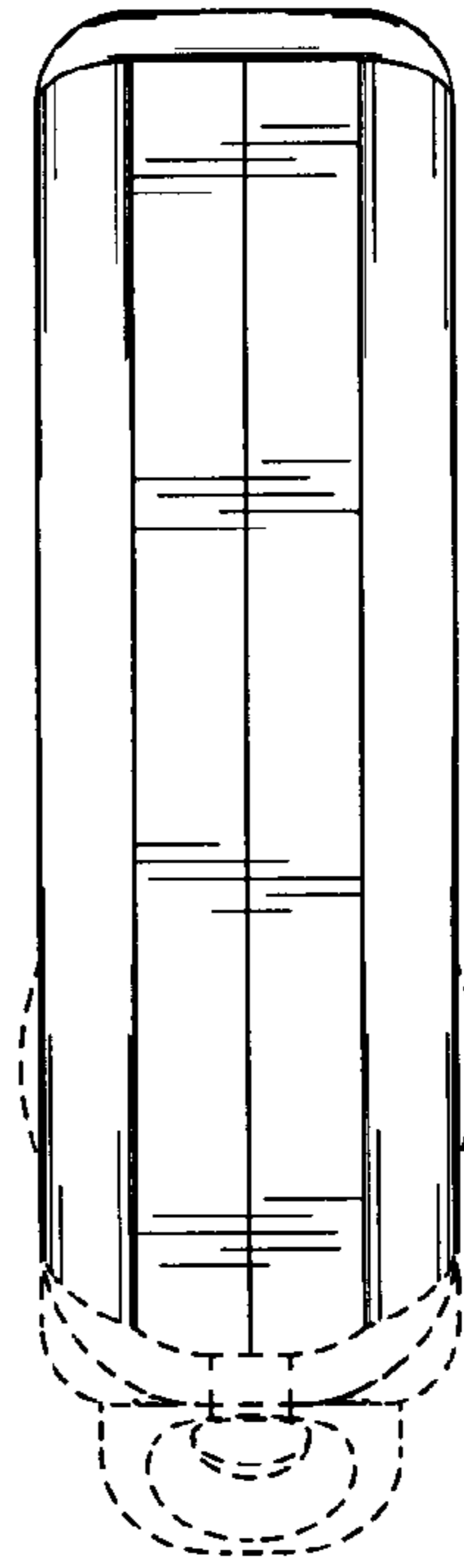


FIG. 7

UNITED STATES PATENT AND TRADEMARK OFFICE
CERTIFICATE OF CORRECTION

PATENT NO. : Des. 511,513 S
APPLICATION NO. : 29/205331
DATED : November 15, 2005
INVENTOR(S) : Ryan M. Nilsen

Page 1 of 4

It is certified that error appears in the above-identified patent and that said Letters Patent is hereby corrected as shown below:

The sheets of drawings consisting of figures 1-7 should be deleted to appear as per attached figures 1-7.

Signed and Sealed this

Twenty-eighth Day of August, 2007

A handwritten signature in black ink on a light gray dotted background. The signature reads "Jon W. Dudas" in a cursive style.

JON W. DUDAS

Director of the United States Patent and Trademark Office

U.S. Patent

Nov. 15, 2005

Sheet 1 of 6

D511,513 S

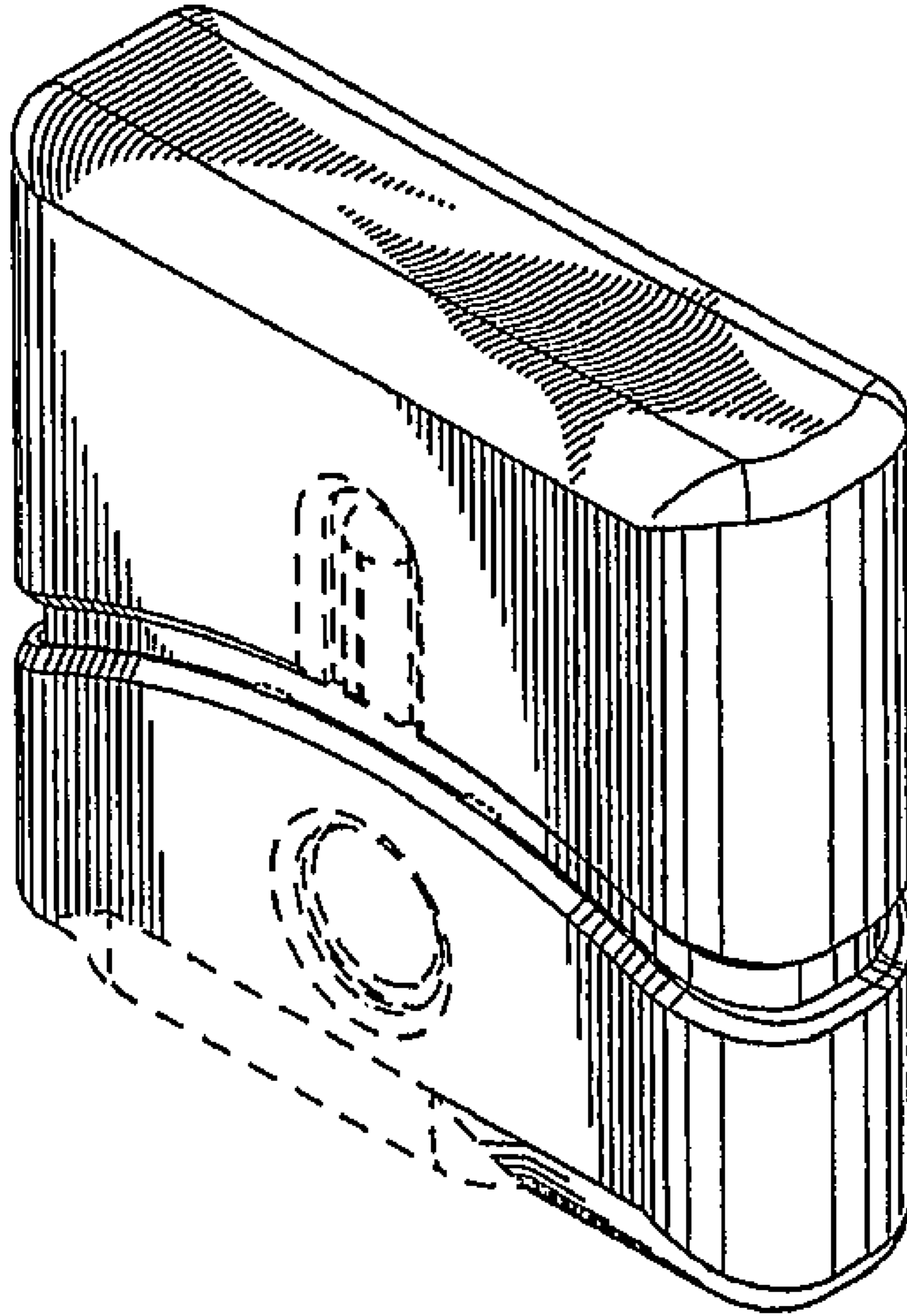


FIG. 1

U.S. Patent

Nov. 15, 2005

Sheet 2 of 6

D511,513 S

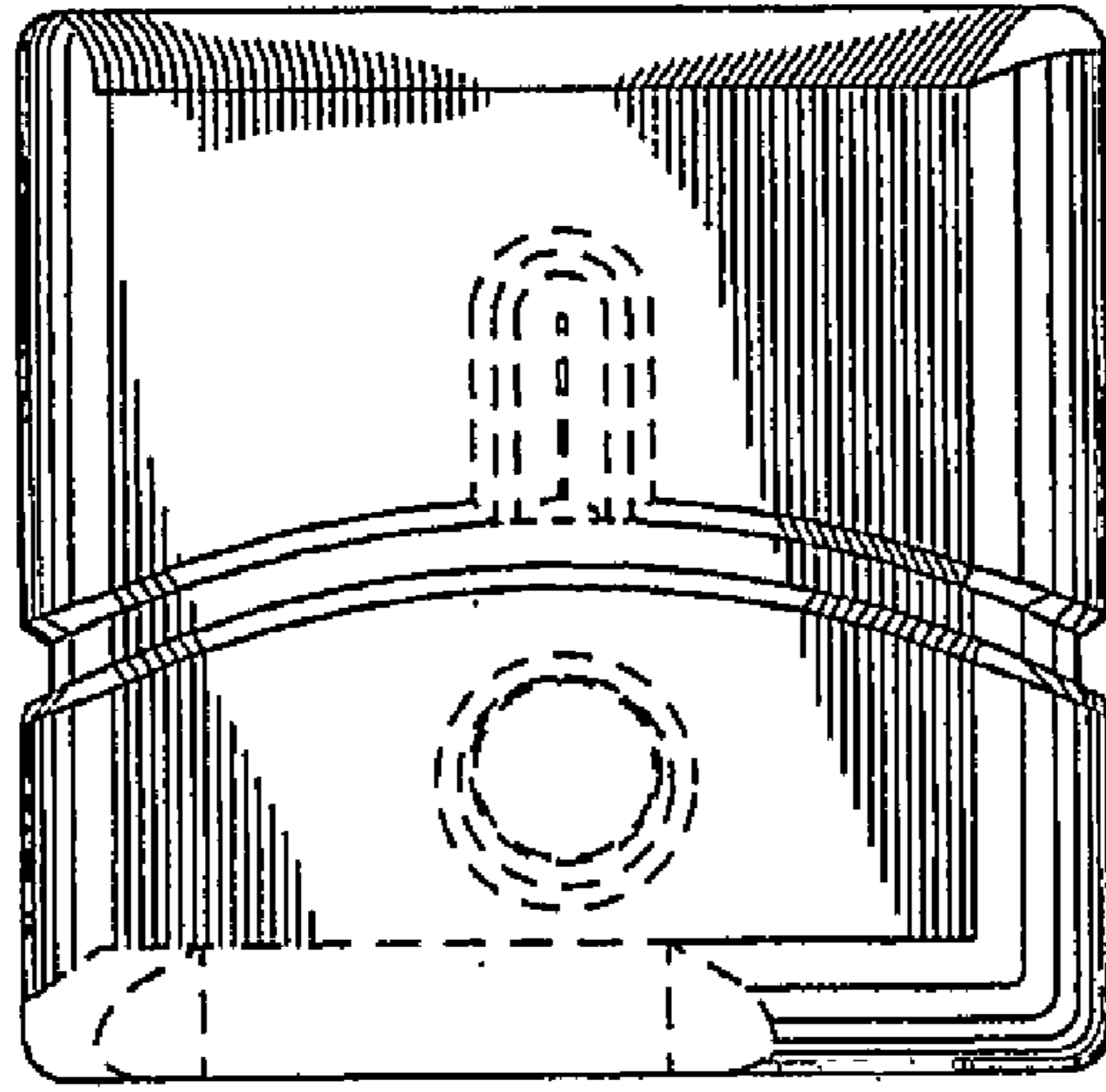


FIG. 2

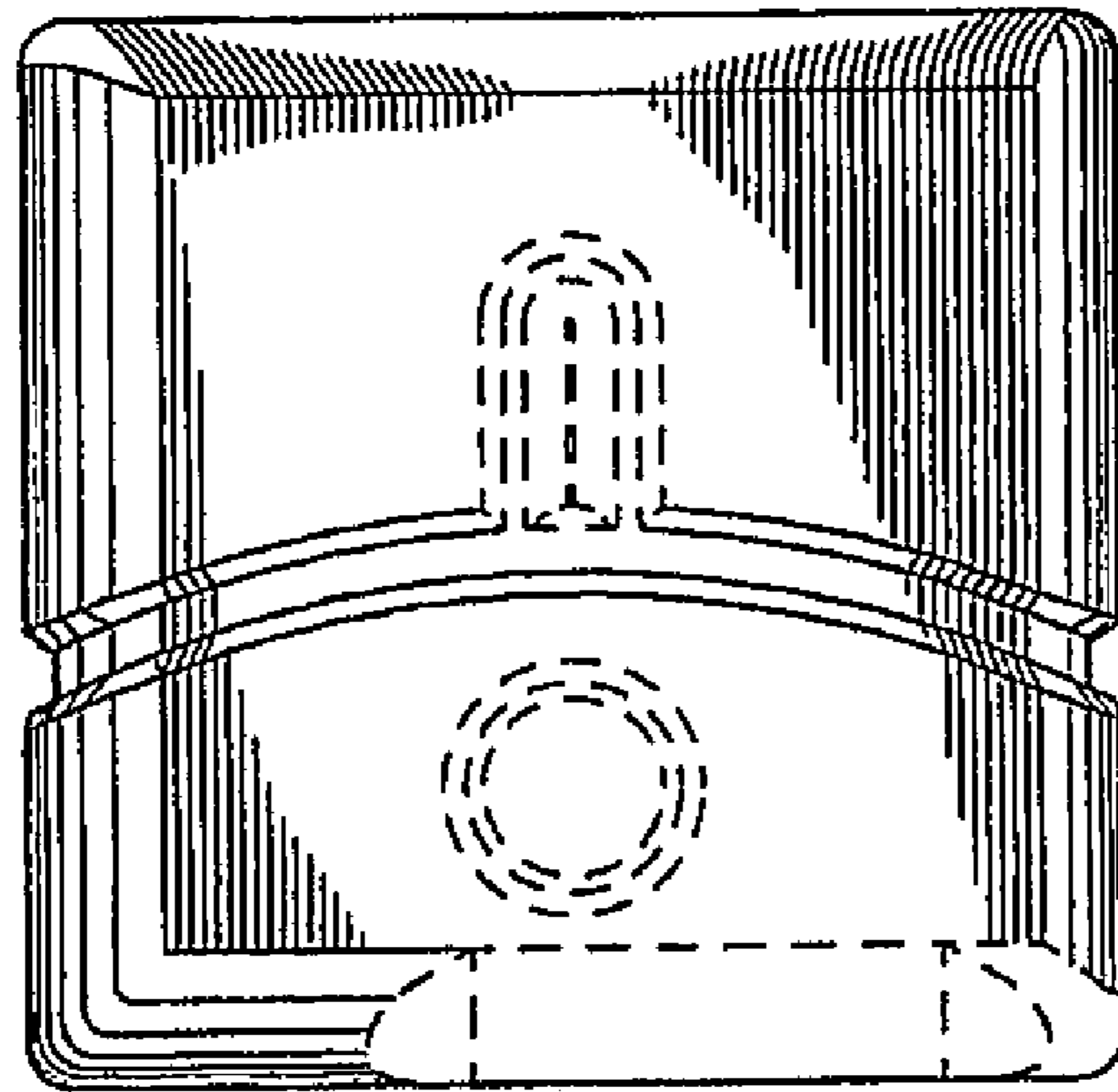


FIG. 3

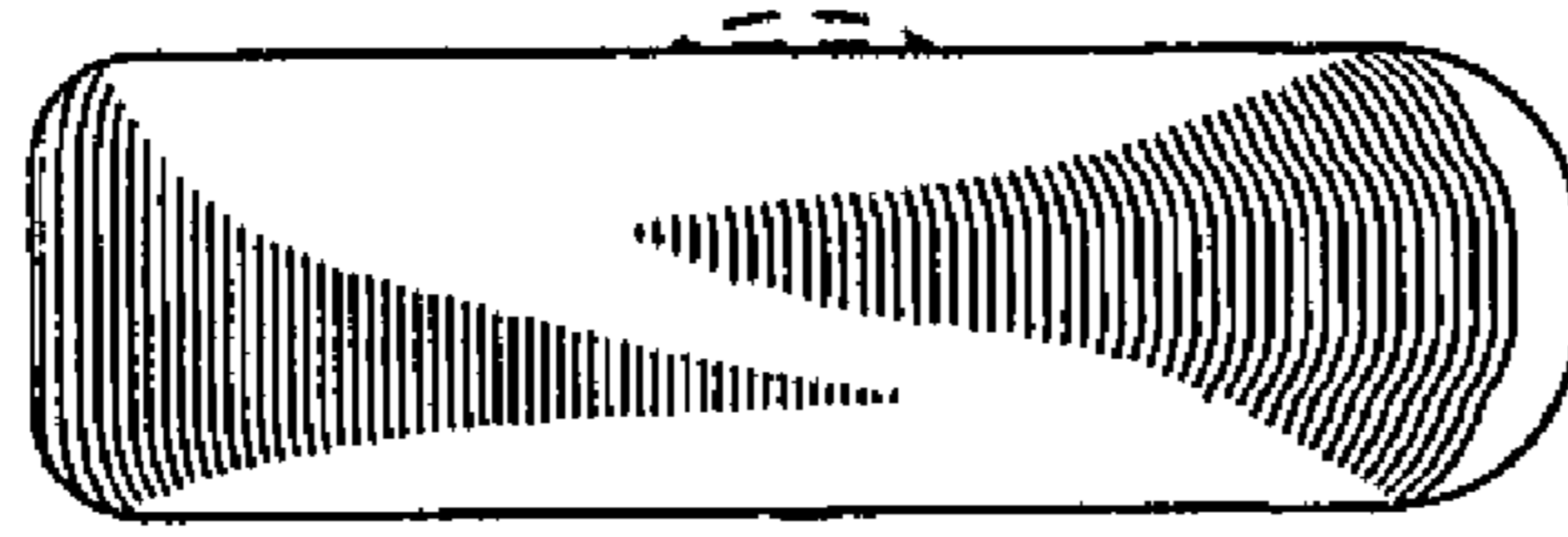


FIG. 4

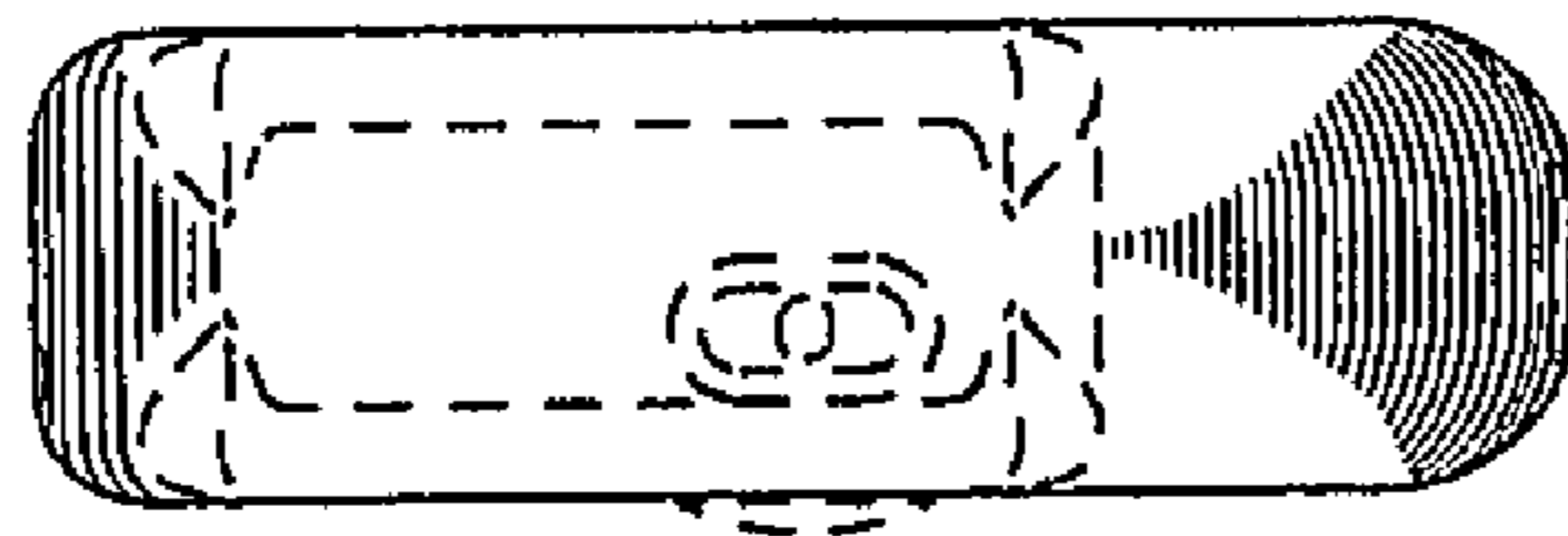


FIG. 5

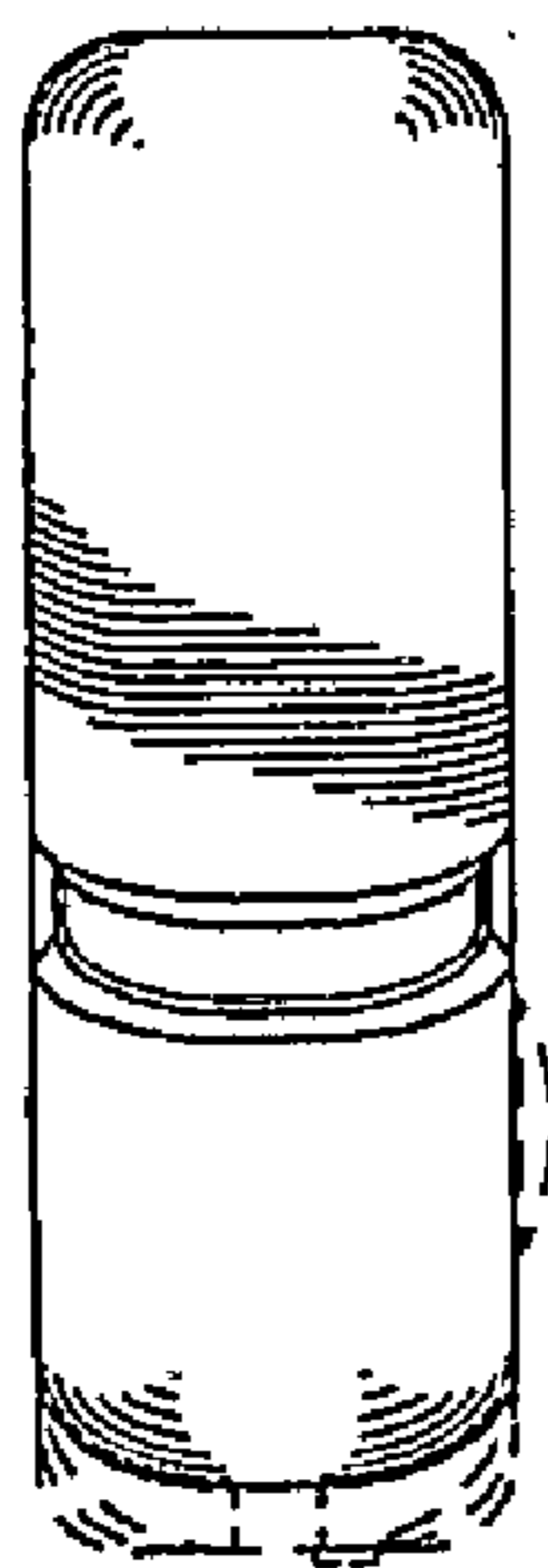


FIG. 6

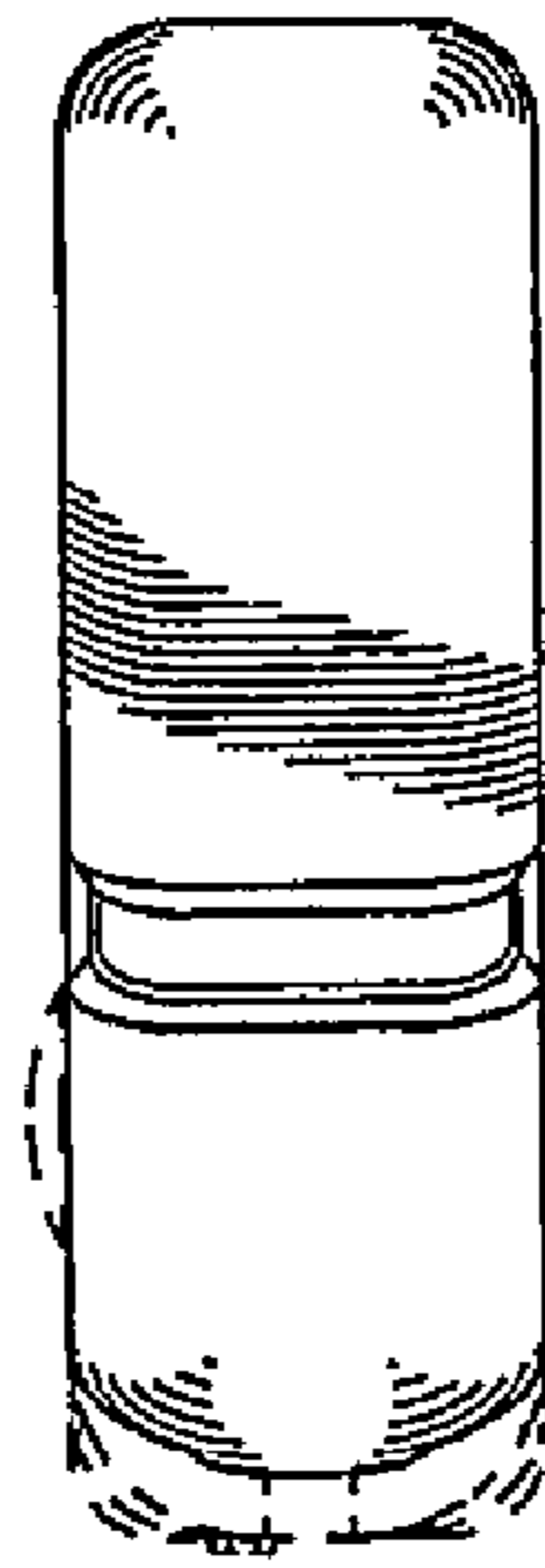


FIG. 7

UNITED STATES PATENT AND TRADEMARK OFFICE
CERTIFICATE OF CORRECTION

PATENT NO. : Des. 511,513 S
APPLICATION NO. : 29/205331
DATED : November 15, 2005
INVENTOR(S) : Ryan M. Nilsen

Page 1 of 5

It is certified that error appears in the above-identified patent and that said Letters Patent is hereby corrected as shown below:

Delete the title page and substitute therefor the attached title page

The sheets of drawings consisting of figures 1-7 should be deleted to appear as per attached figures 1-7.

This certificate supersedes Certificate of Correction issued August 28, 2007.

Signed and Sealed this

Twenty-fifth Day of September, 2007

A handwritten signature in black ink on a light gray dotted background. The signature reads "Jon W. Dudas" in a cursive style.

JON W. DUDAS

Director of the United States Patent and Trademark Office

(12) **United States Design Patent** (10) Patent No.: **US D511,513 S**
 Nilsen (45) Date of Patent: **** Nov. 15, 2005**

(54) **ACCESSORY FOR A COMMUNICATION DEVICE**

D484,497 S * 12/2003 Alviar et al. D14/240
 D496,653 S * 9/2004 Townsend et al. D14/240

(75) Inventor: Ryan M. Nilsen, Pompano, FL (US)

* cited by examiner

(73) Assignee: Motorola, Inc., Schaumburg, IL (US)

Primary Examiner—Charles A. Rademaker

(**) Term: 14 Years

(74) Attorney, Agent, or Firm—Design IP

(21) Appl. No.: 29/205,331

(57) **CLAIM**

(22) Filed: May 12, 2004

The ornamental design for an accessory for a communication device, as shown and described.

(51) LOC (8) Cl. 14-03

DESCRIPTION

(52) U.S. Cl. D14/240

FIG. 1 is a front perspective view of an accessory for a communication device showing my new design;

(58) Field of Search D14/240, 217,

D14/218, 299, 241-256; 455/151.1-151.4, 152.1, 352-355; D13/168

FIG. 2 is a front elevation thereof;

FIG. 3 is a rear elevation thereof;

FIG. 4 is a top plan view thereof;

FIG. 5 is a bottom plan view thereof;

FIG. 6 is a right side elevation thereof; and,

FIG. 7 is a left side elevation thereof.

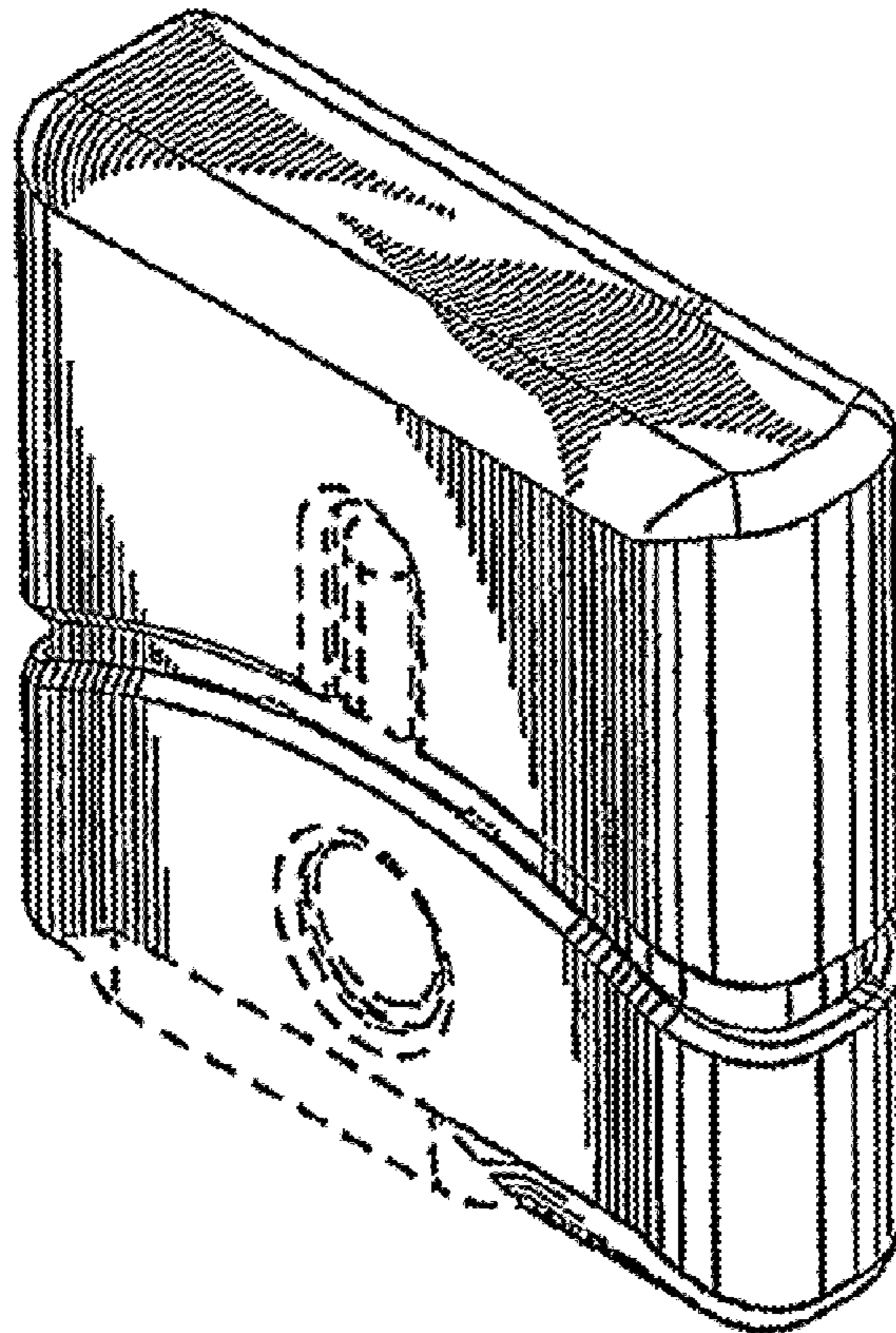
(56) **References Cited**

U.S. PATENT DOCUMENTS

D413,893 S * 9/1999 Luzbetak et al. D14/240
 D415,769 S * 10/1999 Waldaer D14/240
 D435,041 S * 12/2000 Coker et al. D14/240
 D460,443 S * 7/2002 Brunner et al. D14/240
 D464,337 S * 10/2002 Arpe D14/240
 D465,215 S * 11/2002 Hill et al. D14/240

The broken lines shown in FIGS. 1-7 are included for the purpose of illustrating environmental elements only and form no part of the claimed design.

1 Claim, 3 Drawing Sheets



U.S. Patent

Nov. 15, 2005

Sheet 1 of 6

D511,513 S

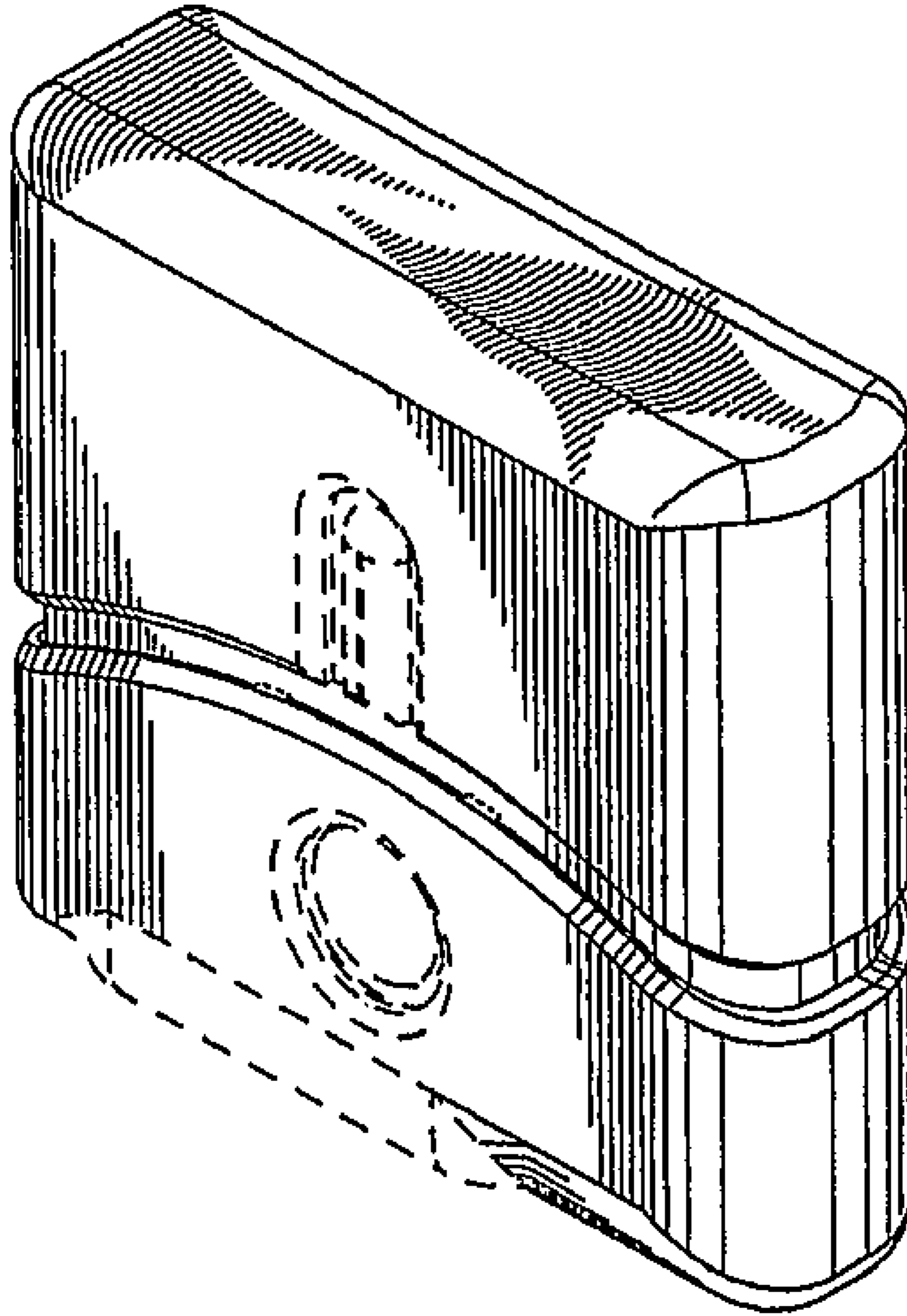


FIG. 1

U.S. Patent

Nov. 15, 2005

Sheet 2 of 6

D511,513 S

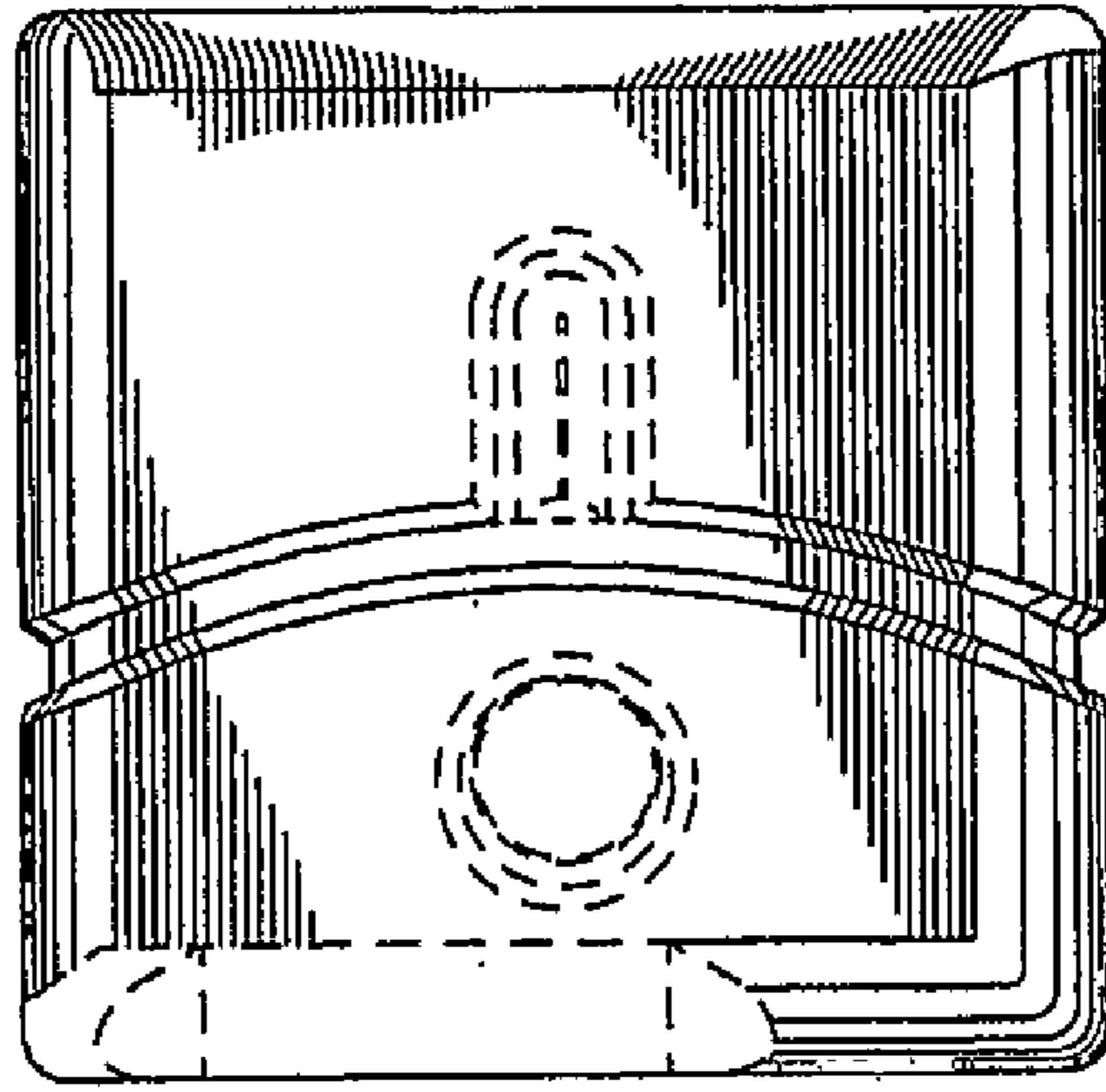


FIG. 2

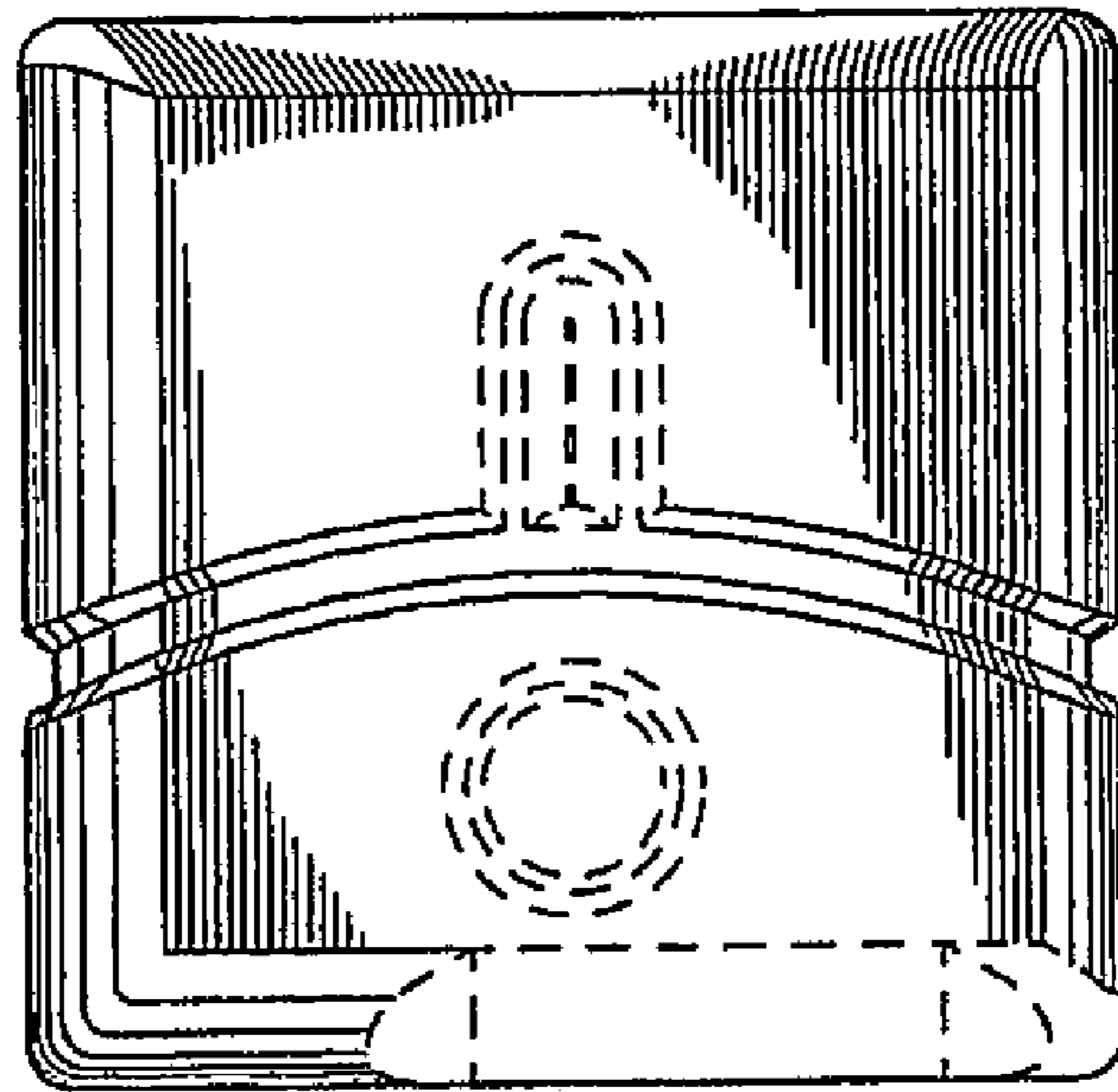


FIG. 3

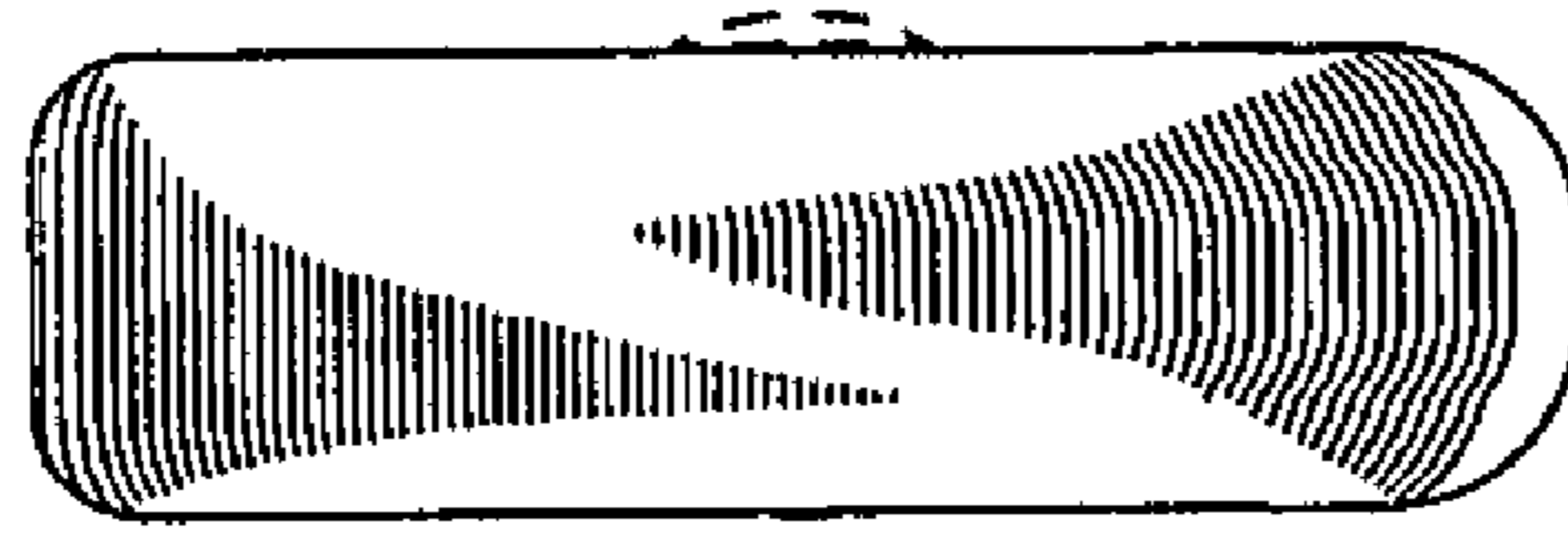


FIG. 4

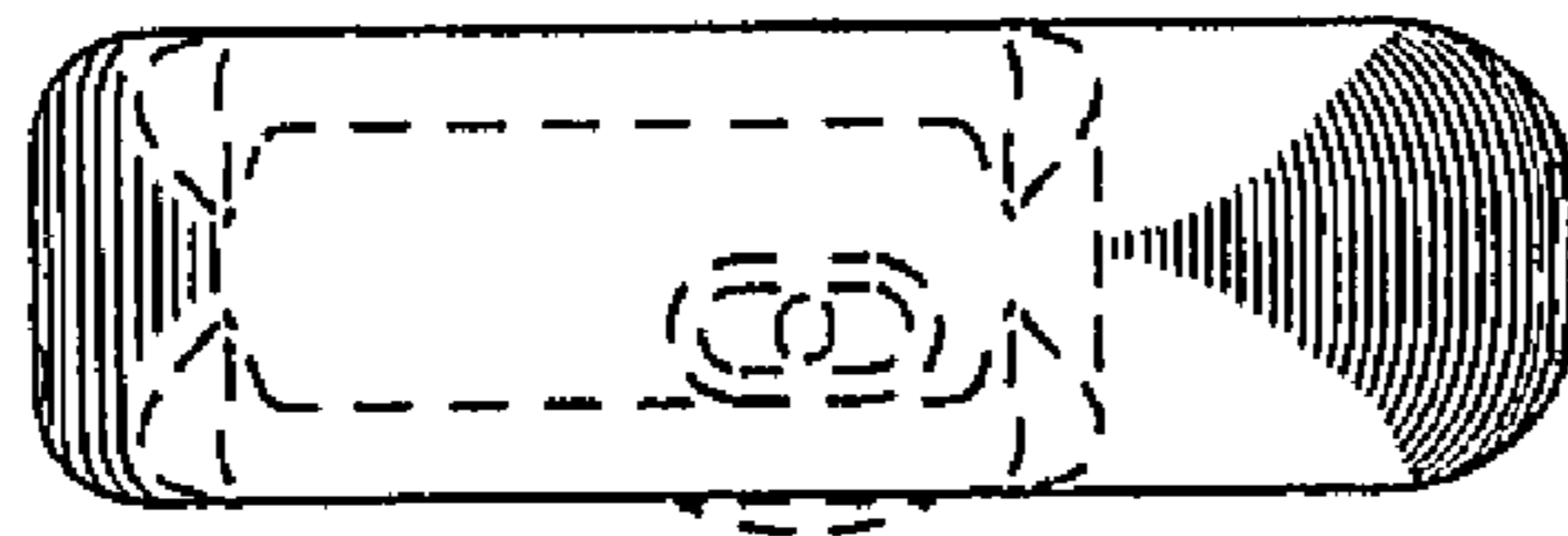


FIG. 5

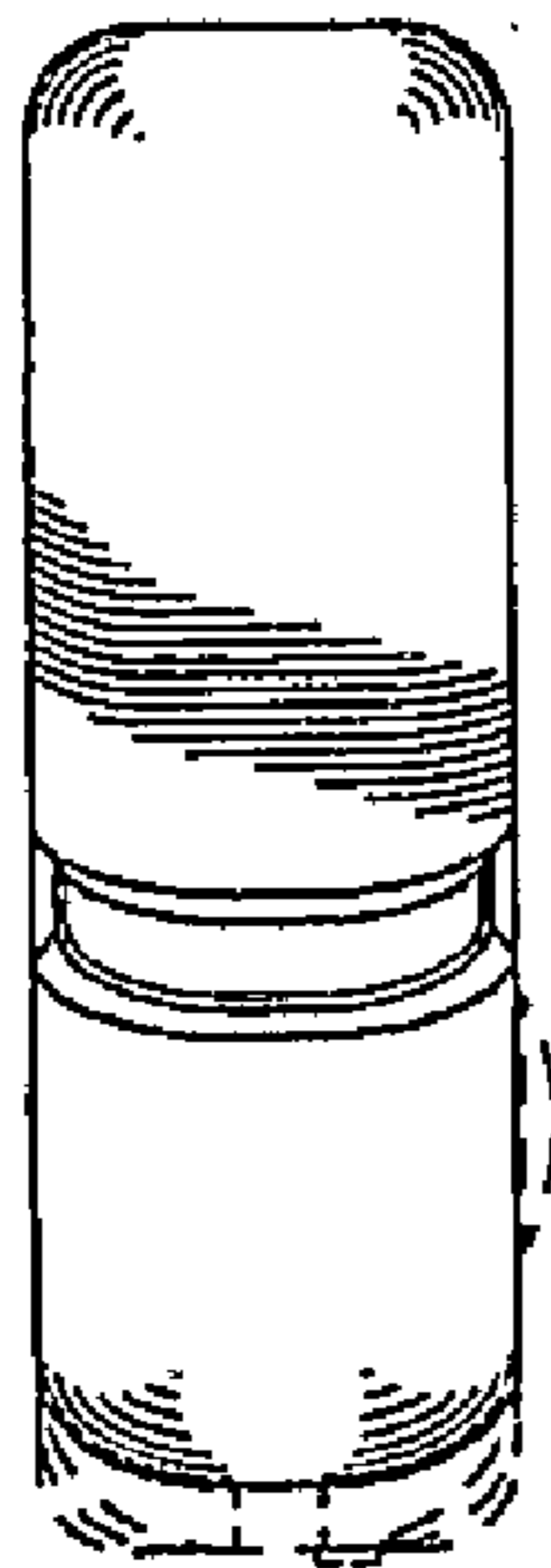


FIG. 6

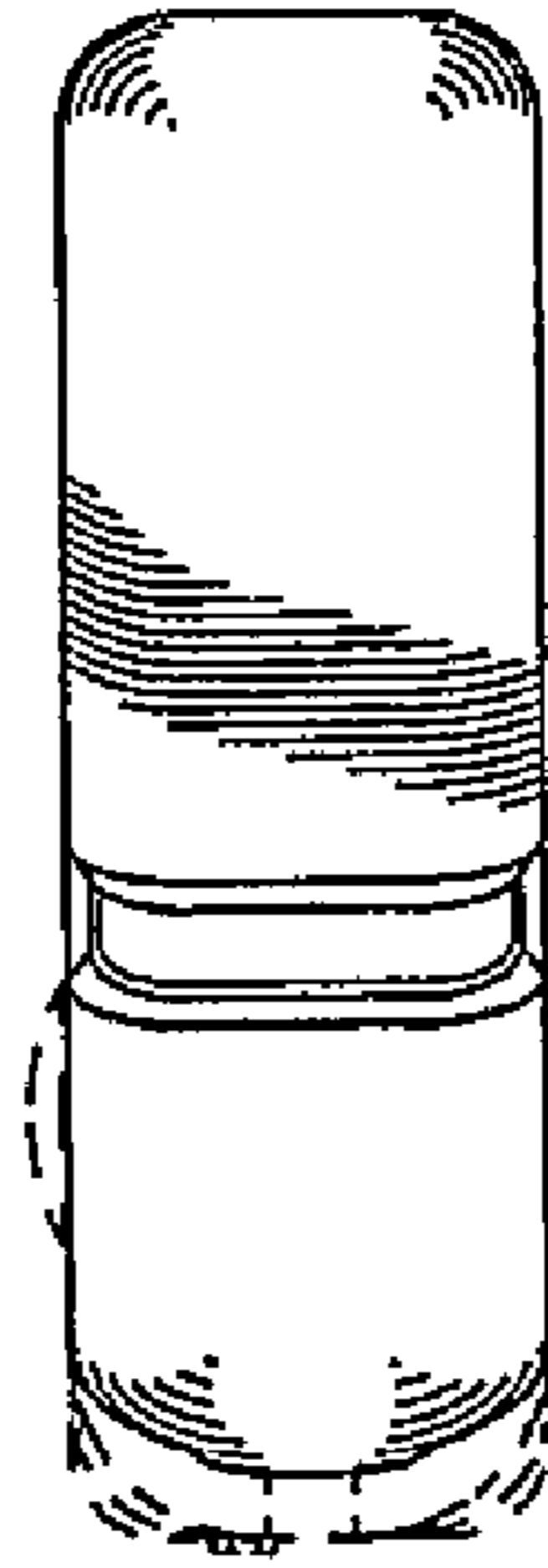


FIG. 7